



US00D746775S

(12) **United States Design Patent**  
**Flohe et al.**

(10) **Patent No.:** **US D746,775 S**  
(45) **Date of Patent:** **\*\* Jan. 5, 2016**

(54) **CORONA RING**

(71) Applicant: **SIEMENS**  
**AKTIENGESELLSCHAFT**, Munich  
(DE)

(72) Inventors: **Daniel Flohe**, Berlin (DE); **Dirk**  
**Sagasser**, Berlin (DE)

(73) Assignee: **Siemens Aktiengesellschaft**, Munich  
(DE)

(\*\*) Term: **14 Years**

(21) Appl. No.: **29/498,732**

(22) Filed: **Aug. 7, 2014**

(30) **Foreign Application Priority Data**

Feb. 7, 2014 (EM) ..... 001403497

(51) **LOC (10) Cl.** ..... **13-03**

(52) **U.S. Cl.**  
USPC ..... **D13/124**

(58) **Field of Classification Search**  
USPC ..... D13/110, 118, 123, 129, 130-133, 147,  
D13/154, 184, 199  
CPC ..... H01T 19/02; H01B 17/42; H01B 17/44;  
H01B 5/004; H01F 2027/329; H01R 4/64;  
H01R 4/643; H01C 7/12; H01H 9/48; H01H  
33/24; H01H 2085/0225; Y10S 439/934  
See application file for complete search history.

(56) **References Cited**

**U.S. PATENT DOCUMENTS**

1,690,200 A \* 11/1928 Miller ..... 174/141 R  
1,709,697 A \* 4/1929 Wahlberg ..... 174/141 R  
2,539,641 A \* 1/1951 Sheadel ..... 174/140 CR  
3,252,054 A \* 5/1966 Decker et al. .... 361/132  
RE26,066 E \* 7/1966 Huston ..... 174/73.1

3,471,633 A \* 10/1969 Kaminski, Jr. .... 174/144  
5,077,450 A \* 12/1991 Rafiee ..... 174/145  
5,552,566 A \* 9/1996 Lin et al. .... 174/144  
D476,295 S \* 6/2003 Oohashi et al. .... D13/118  
D532,747 S \* 11/2006 Ricci et al. .... D13/110  
D550,618 S \* 9/2007 Ricci et al. .... D13/110  
8,331,074 B2 \* 12/2012 Zhang et al. .... 361/117  
D722,966 S \* 2/2015 Smith ..... D13/129

**OTHER PUBLICATIONS**

Sarjak Corona Toroids, dated Oct. 23, 2013, [online], [site visited Jul. 30, 2015]. Available from Internet, <URL: <http://sarjakengineering.com/Products.html>>.\*  
JM Engineering Corona Rings, dated Apr. 16, 2013, [online], [site visited Jul. 30, 2015]. Available from Internet, <URL: <http://www.jmengineering.co.in/circuit-breakers.aspx>>.\*

\* cited by examiner

*Primary Examiner* — Thomas Johannes  
*Assistant Examiner* — Shawn T Gingrich

(74) *Attorney, Agent, or Firm* — Laurence Greenberg;  
Werner Stemer; Ralph Locher

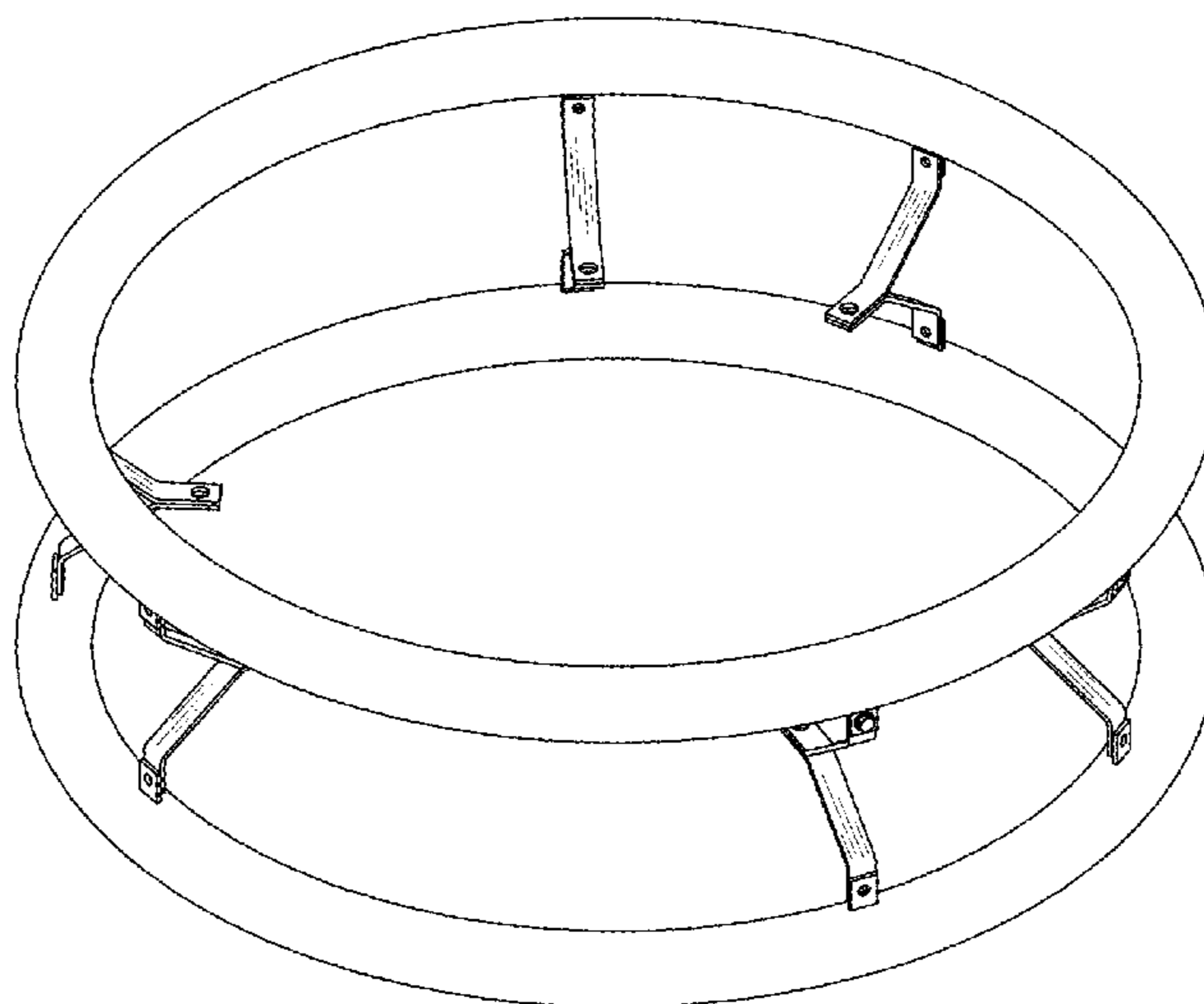
(57) **CLAIM**

The ornamental design for a corona ring, as shown and described.

**DESCRIPTION**

FIG. 1 is a front elevation view of the corona ring, showing my new invention;  
FIG. 2 is a rear elevation view thereof;  
FIG. 3 is a top plan view thereof;  
FIG. 4 is a bottom plan view thereof;  
FIG. 5 is a right side elevation view thereof;  
FIG. 6 is a left side elevation view thereof; and,  
FIG. 7 is a perspective view thereof.  
The broken line portion of the figure drawings is included to show unclaimed subject matter only and forms no part of the claimed design.

**1 Claim, 7 Drawing Sheets**



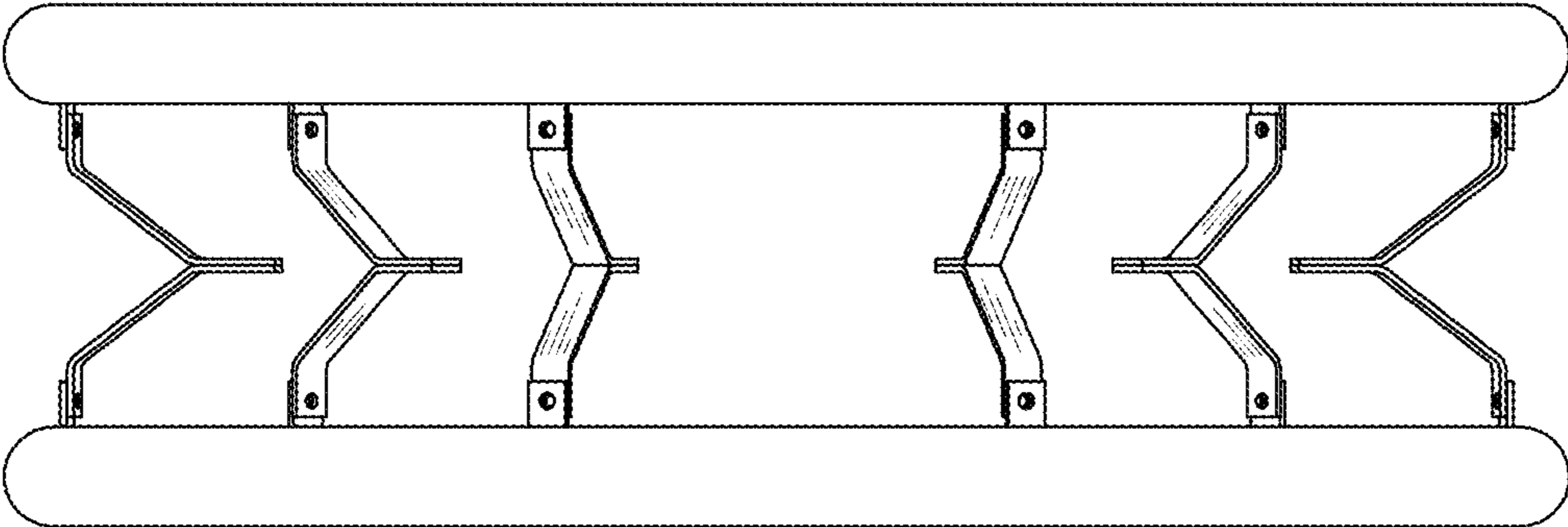


FIG. 1

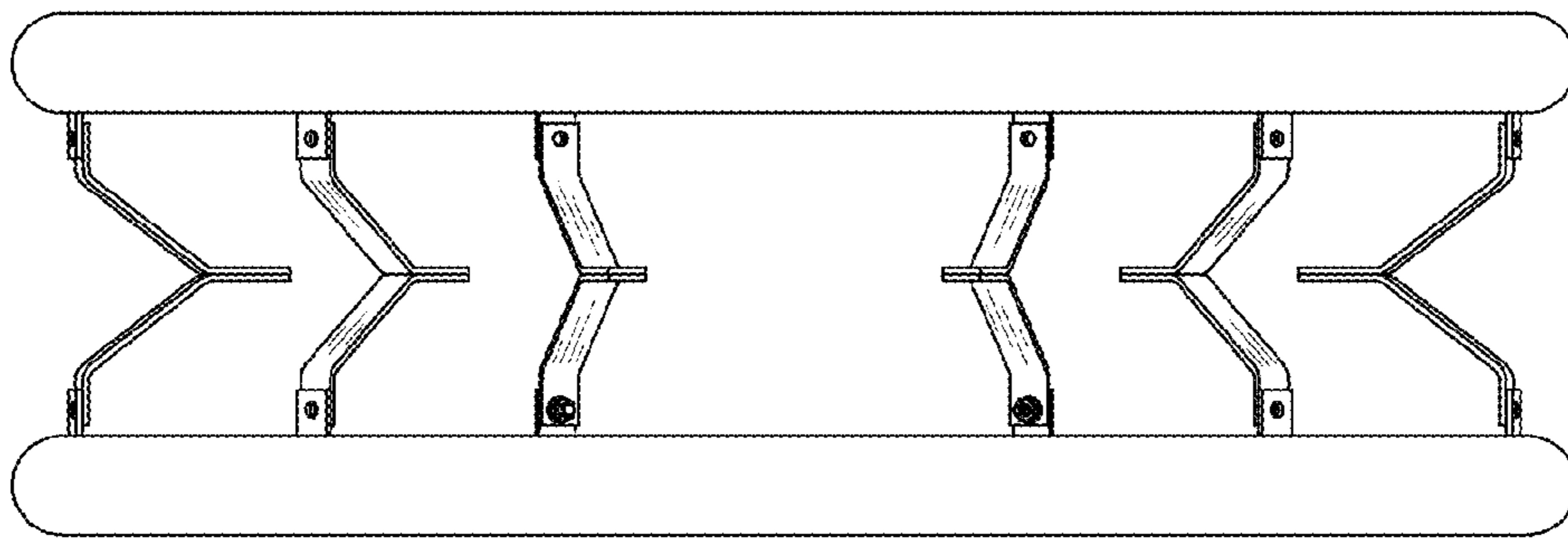


FIG. 2

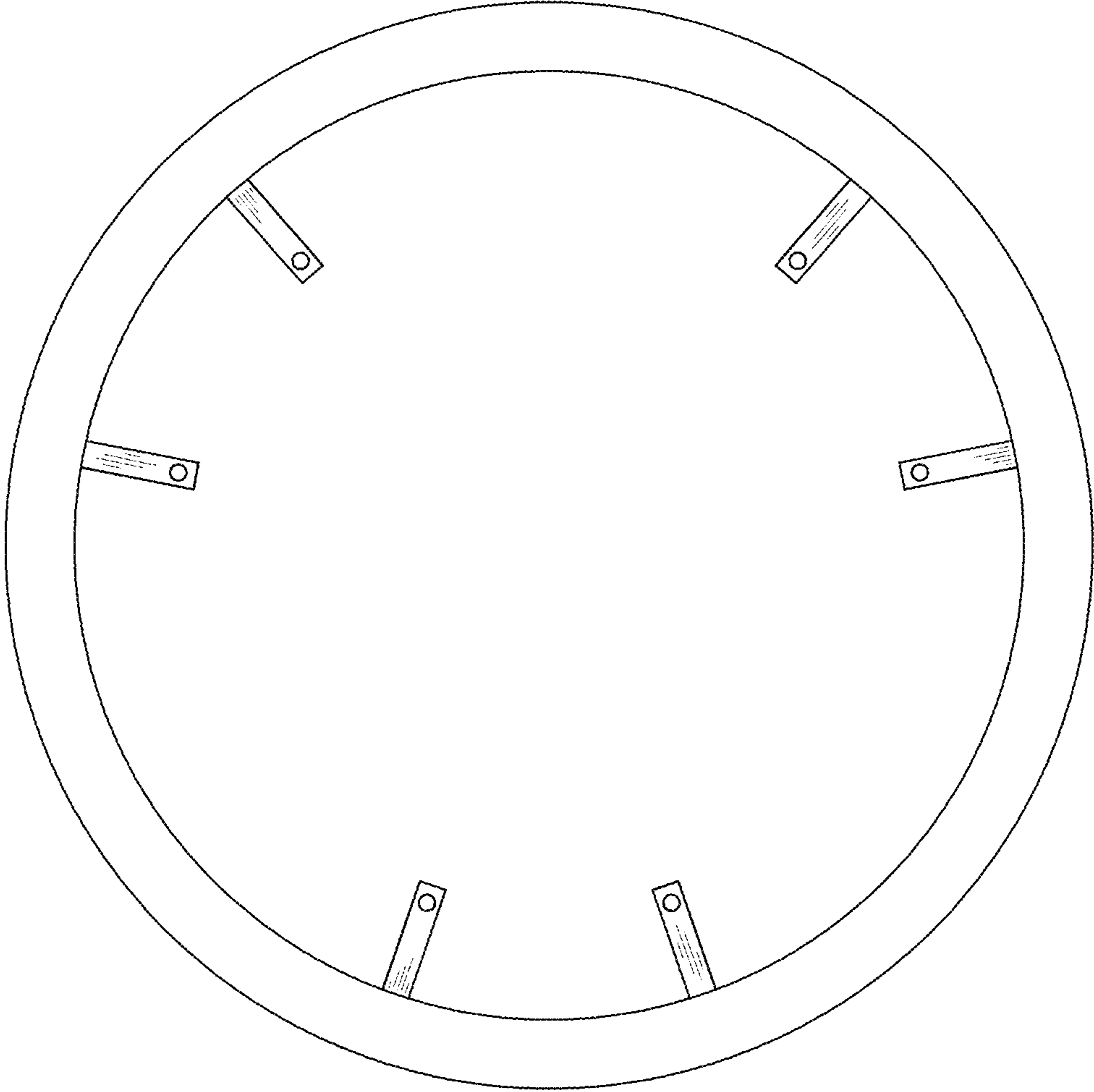


FIG. 3

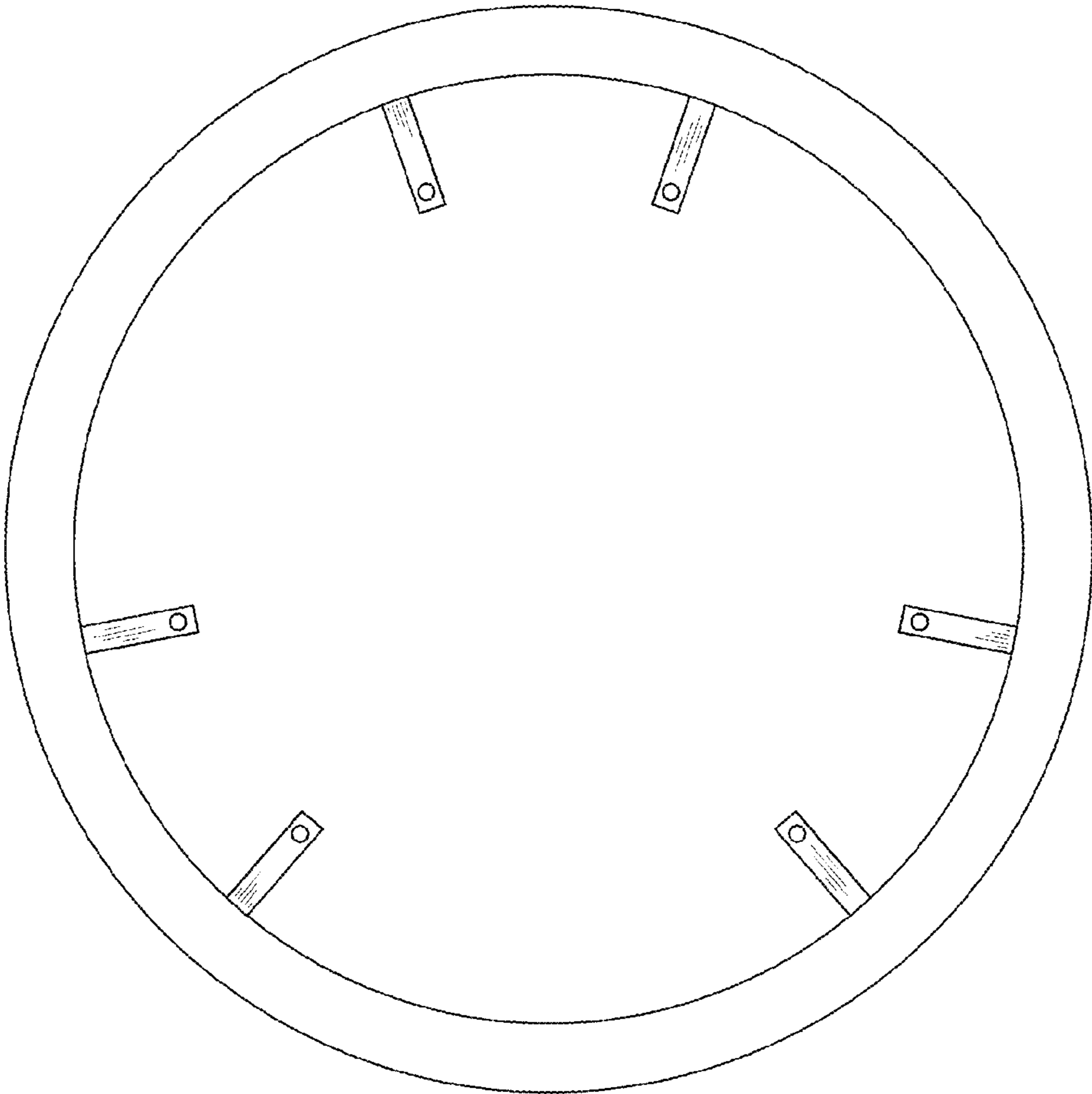


FIG. 4

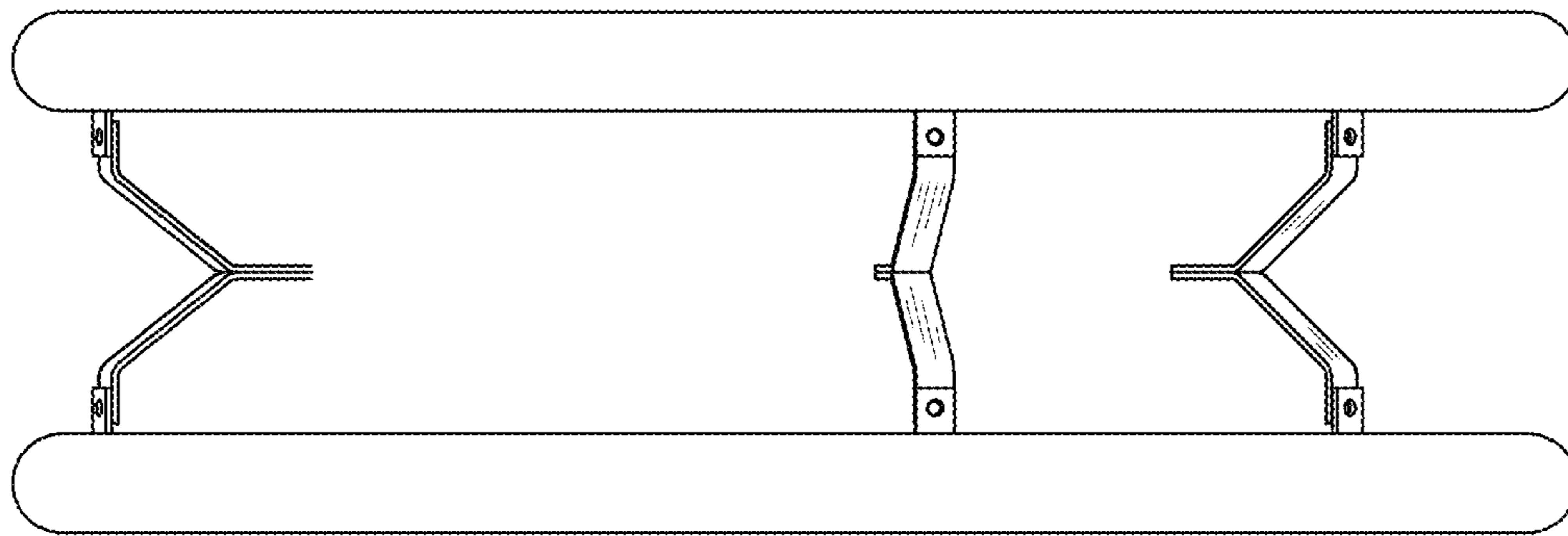


FIG. 5

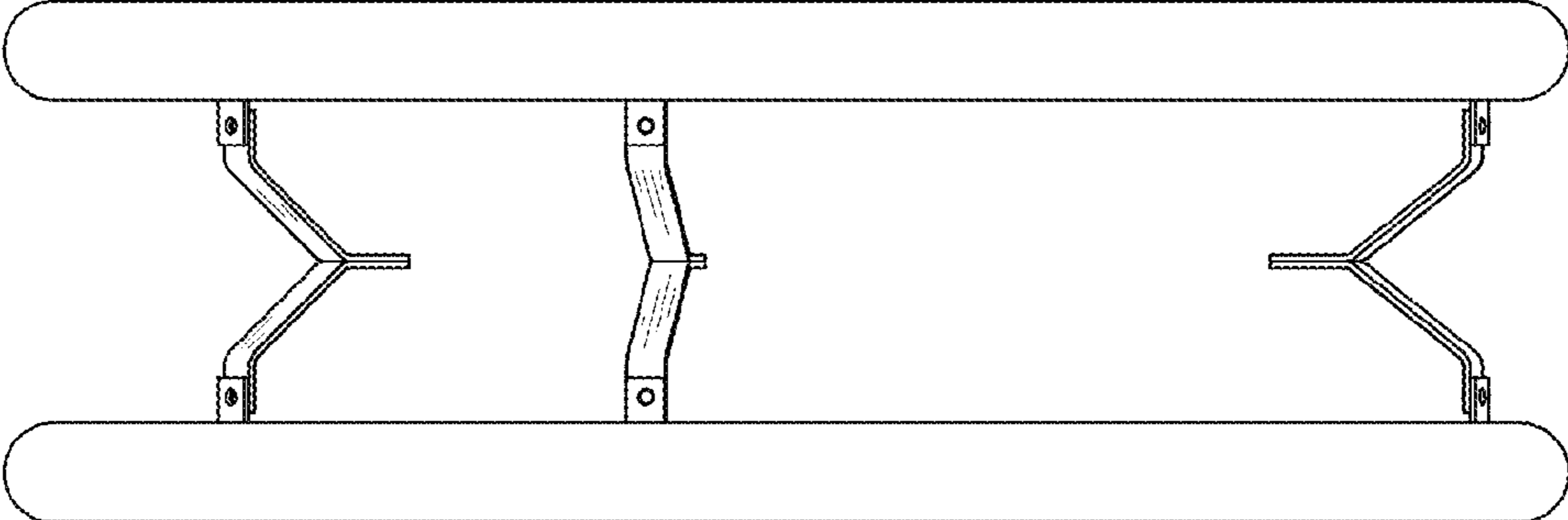


FIG. 6

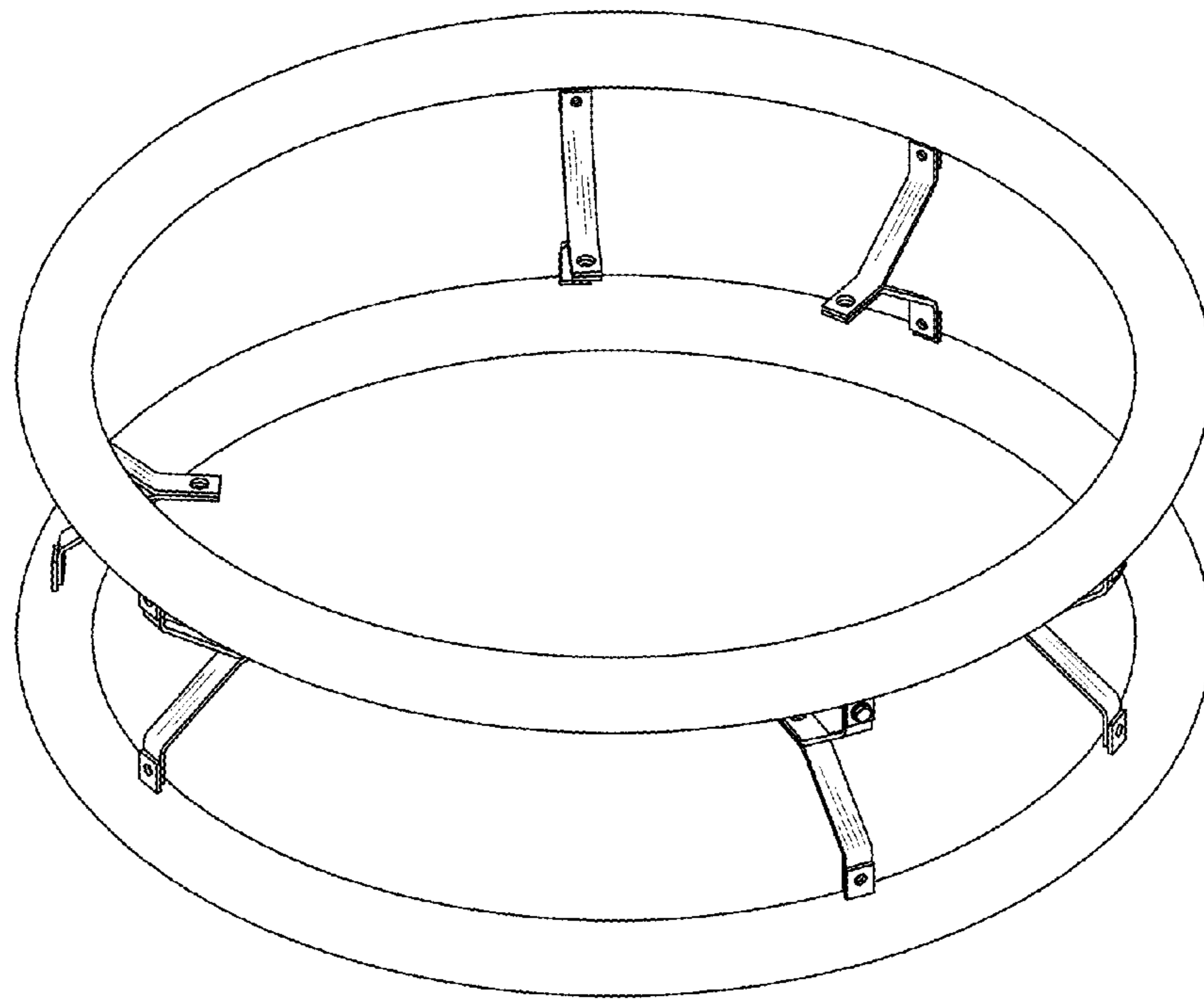


FIG. 7