



US00D746773S

(12) **United States Design Patent**
Andre et al.

(10) **Patent No.:** **US D746,773 S**
(45) **Date of Patent:** **** Jan. 5, 2016**

(54) **POWER ADAPTER**

(71) Applicant: **Apple Inc.**, Cupertino, CA (US)

(72) Inventors: **Bartley K. Andre**, Menlo Park, CA (US); **Daniel J. Coster**, San Francisco, CA (US); **Daniele De Iuliis**, San Francisco, CA (US); **Richard P. Howarth**, San Francisco, CA (US); **Jonathan P. Ive**, San Francisco, CA (US); **Steven P. Jobs**, Cupertino, CA (US); **Duncan Robert Kerr**, San Francisco, CA (US); **Matthew Dean Rohrbach**, San Francisco, CA (US); **Douglas B. Satzger**, Menlo Park, CA (US); **Calvin Q. Seid**, Cupertino, CA (US); **Christopher J. Stringer**, Woodside, CA (US); **Eugene Antony Whang**, San Francisco, CA (US)

(73) Assignee: **Apple Inc.**, Cupertino, CA (US)

(**) Term: **14 Years**

(21) Appl. No.: **29/484,149**

(22) Filed: **Mar. 6, 2014**

Related U.S. Application Data

(60) Continuation of application No. 29/422,077, filed on May 16, 2012, now Pat. No. Des. 702,633, which is a continuation of application No. 29/376,321, filed on Oct. 5, 2010, now Pat. No. Des. 661,649, which is a

(Continued)

(51) **LOC (10) Cl.** **13-02**

(52) **U.S. Cl.**
USPC **D13/110**

(58) **Field of Classification Search**
USPC D13/110, 107, 108, 123, 133, 137.1, D13/138.1, 184, 199; D14/240, 251, 253, D14/432, 433, 434; 174/53, 54, 59, 61;

307/150, 151; 320/111, 114, 115; 363/132, 140, 142, 143, 146; 439/105, 439/131, 166, 171-173, 218, 518, 692, 956
CPC H01M 4/00; H01R 31/02; H01R 31/06; H02J 7/00; H02J 7/0042
See application file for complete search history.

(56) **References Cited**

U.S. PATENT DOCUMENTS

6,320,353 B1 * 11/2001 Chiu et al. 320/111
D498,462 S 11/2004 Andre et al.
7,001,196 B1 * 2/2006 Huang 439/320
D538,227 S * 3/2007 Holland D7/554.1
D552,036 S * 10/2007 Holland D13/138.1

(Continued)

FOREIGN PATENT DOCUMENTS

GB 7927747 3/1981

Primary Examiner — Derrick Holland

(74) *Attorney, Agent, or Firm* — Saidman DesignLaw Group, LLC

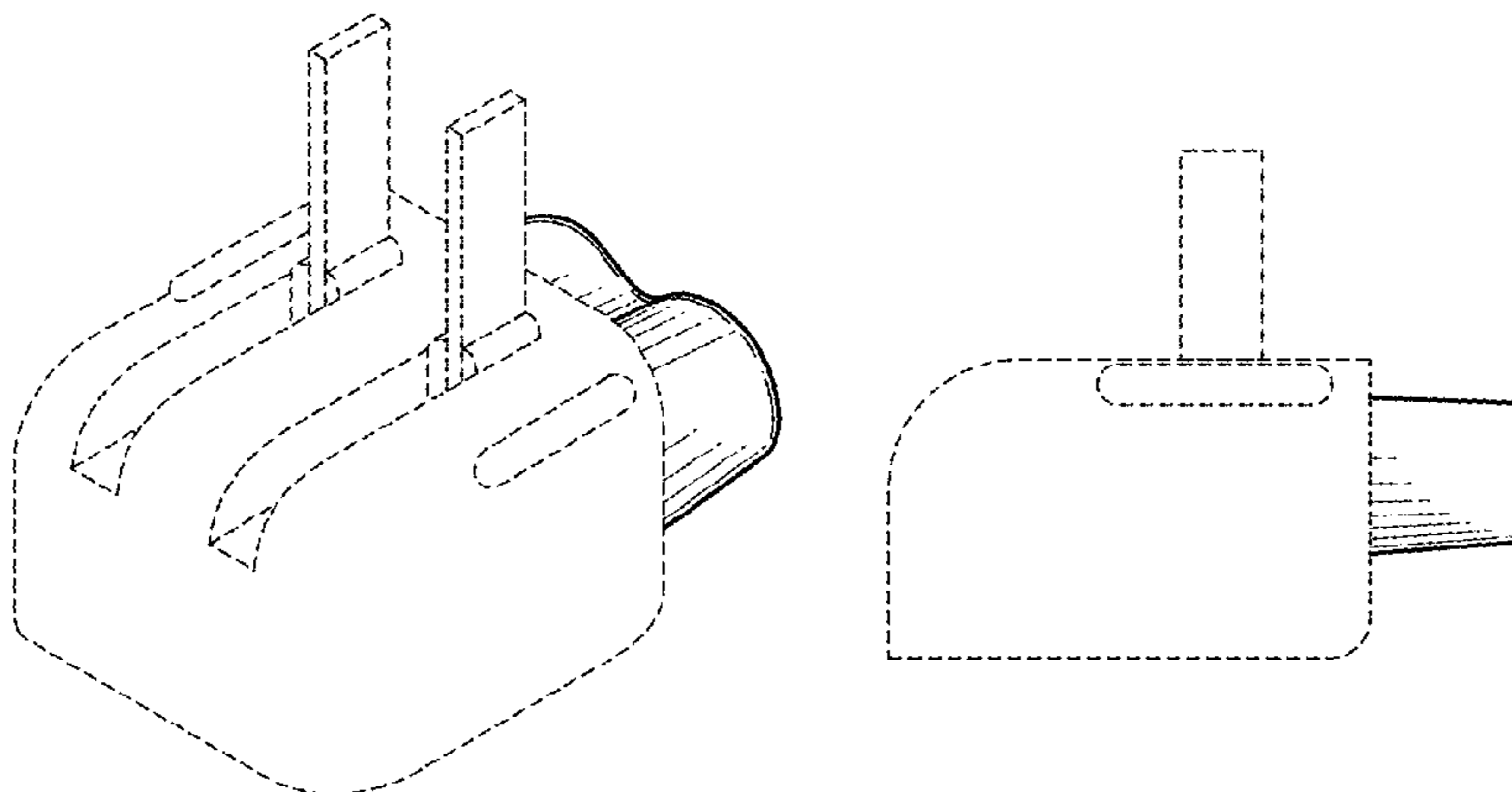
(57) **CLAIM**

The ornamental design for a power adapter, as shown and described.

DESCRIPTION

FIG. 1 is a perspective view of a power adapter showing our new design;
FIG. 2 is a right side view thereof, the left side view being a mirror image;
FIG. 3 is a rear view thereof; and,
FIG. 4 is a bottom view thereof.
The broken lines illustrate environmental structure and form no part of the claimed design. The drawings include surface shading that represents contour and not surface ornamentation.

1 Claim, 1 Drawing Sheet



Related U.S. Application Data

continuation of application No. 12/838,397, filed on Jul. 16, 2010, now Pat. No. 8,222,773, which is a division of application No. 10/125,893, filed on Apr. 18, 2002, now abandoned, and a continuation of application No. 29/153,133, filed on Oct. 22, 2001, now Pat. No. Des. 478,546, which is a continuation-in-part of application No. 29/145,957, filed on Jul. 31, 2001, now Pat. No. Des. 478,310.

(56)

References Cited

U.S. PATENT DOCUMENTS

D616,816 S *	6/2010	Kawahara et al.	D13/110
D617,275 S	6/2010	Fahrendorff et al.	
7,794,251 B2	9/2010	Wen et al.	
D661,649 S	6/2012	Andre et al.	
8,388,352 B1 *	3/2013	ChongYu et al.	439/11

* cited by examiner

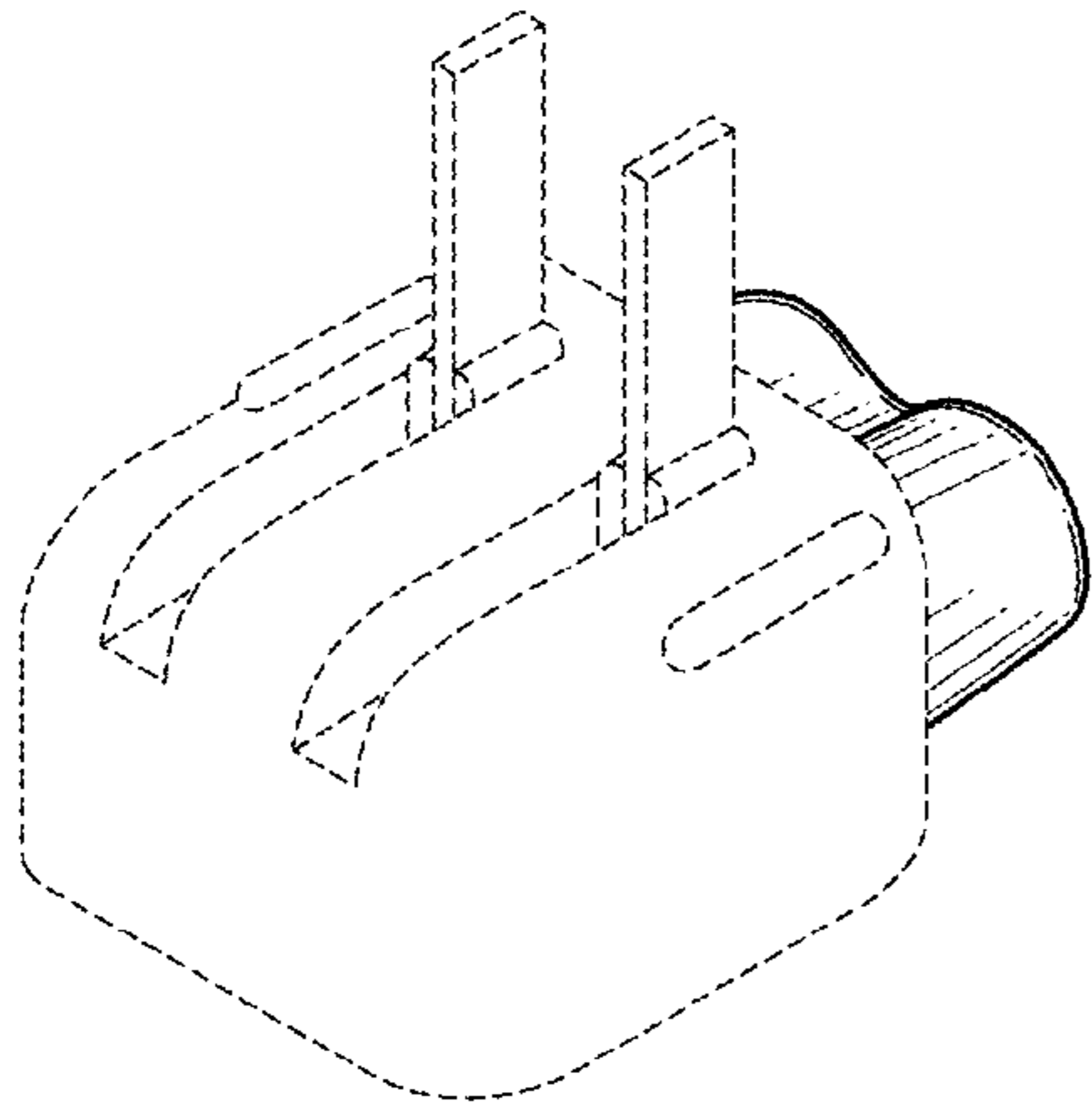


FIG. 1

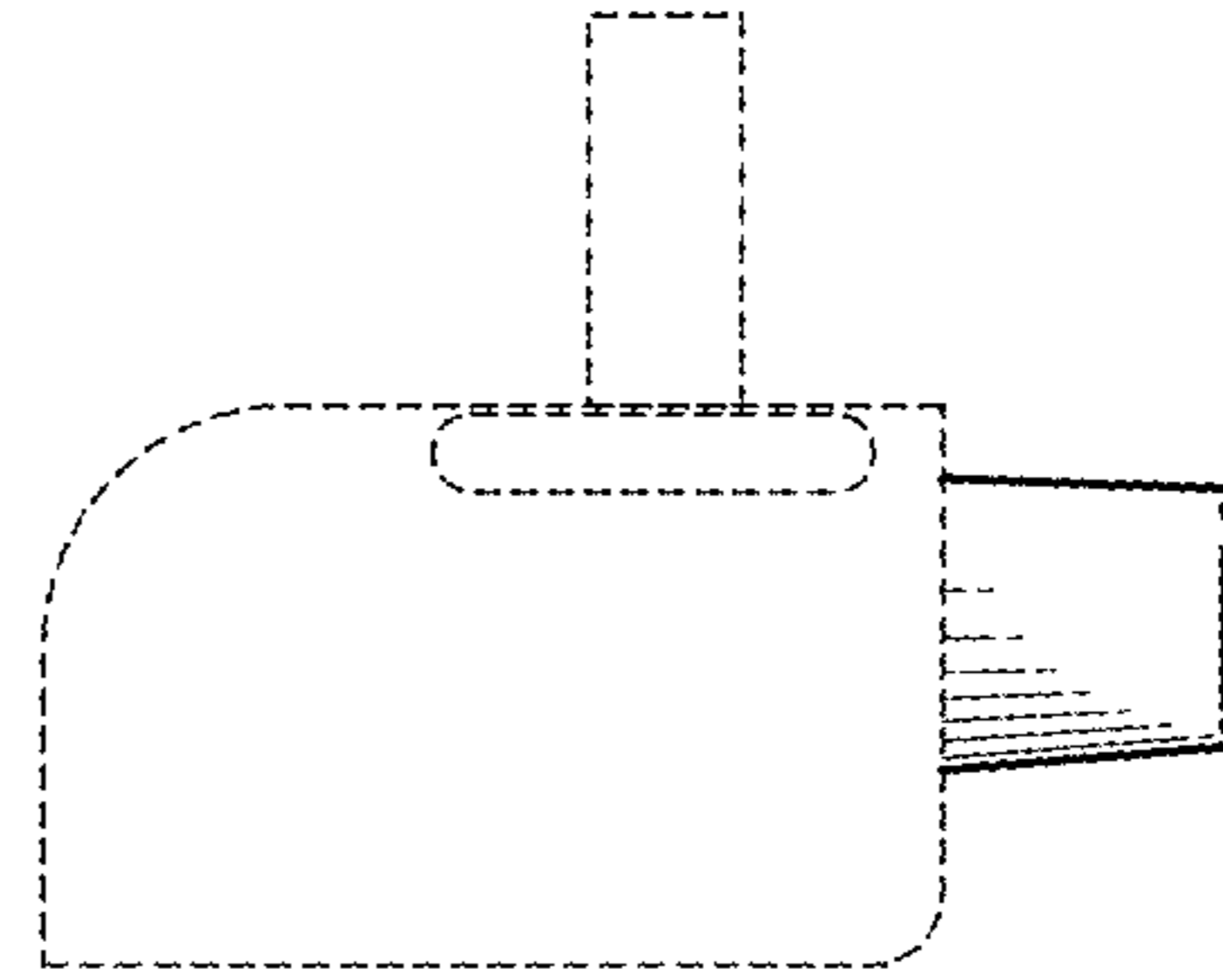


FIG. 2

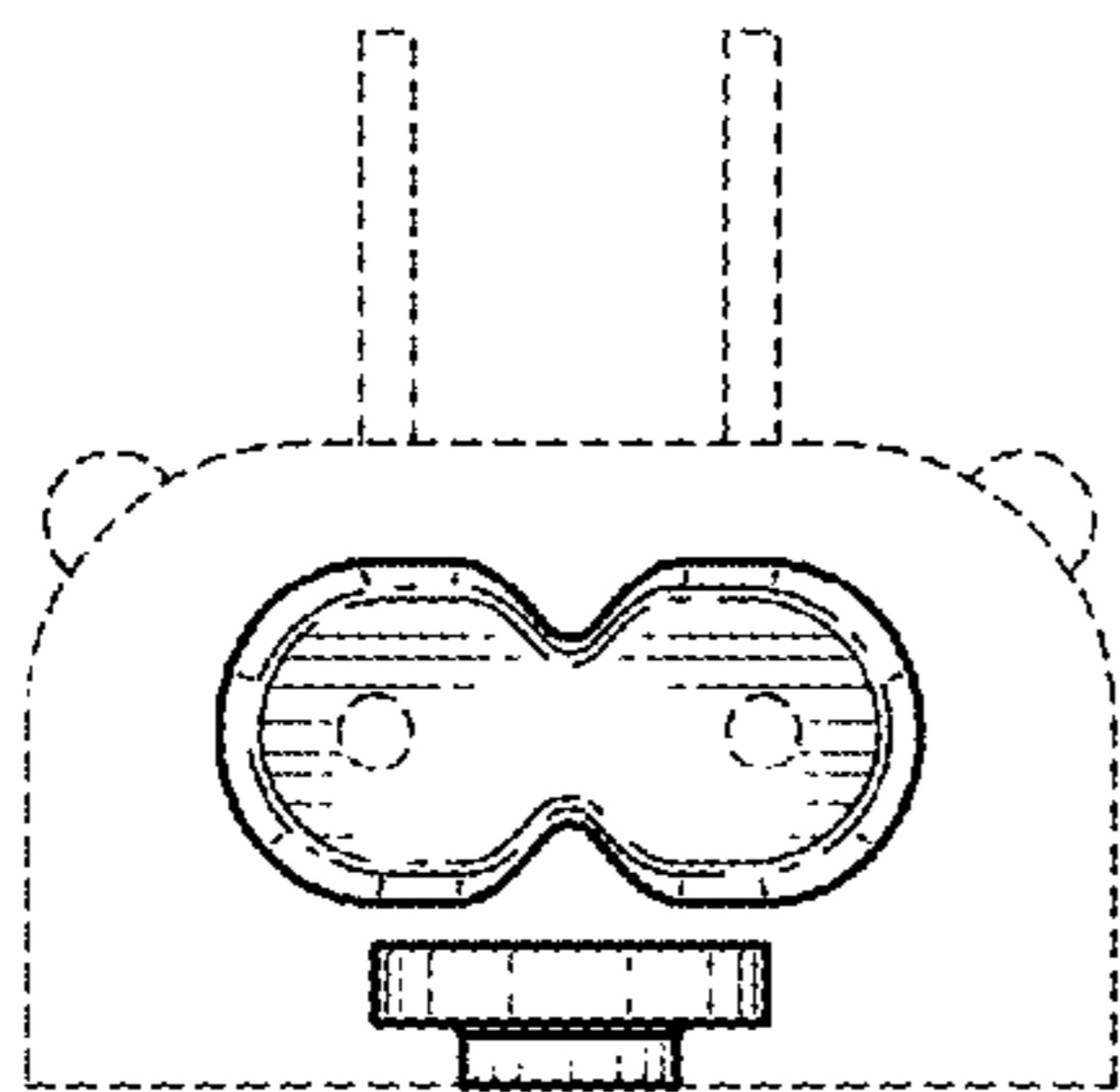


FIG. 3

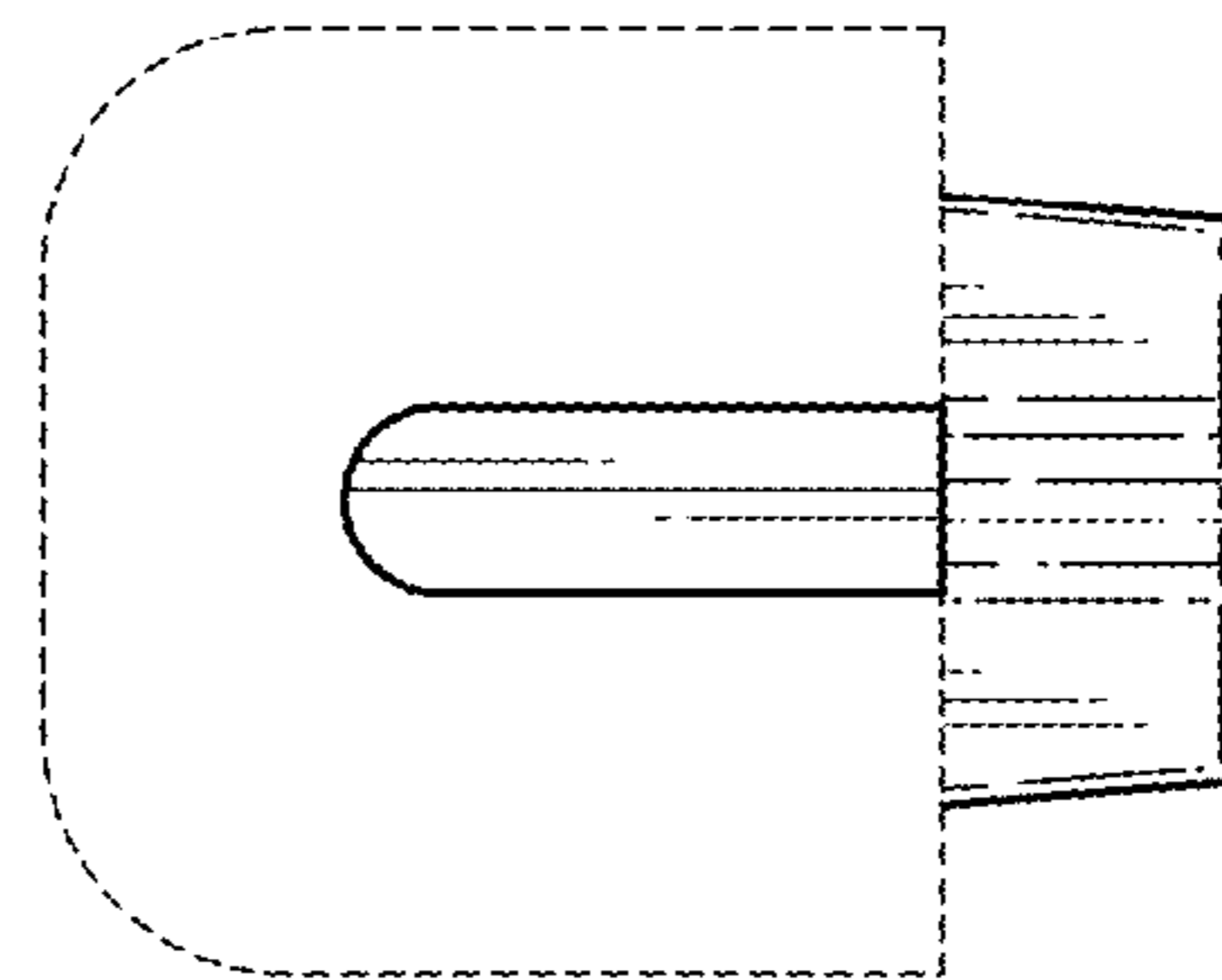


FIG. 4