



US00D746772S

(12) **United States Design Patent**  
**Aumiller et al.**

(10) **Patent No.:** **US D746,772 S**  
(45) **Date of Patent:** **\*\* Jan. 5, 2016**

(54) **CHARGER FOR AN ELECTRONIC DEVICE**

(71) Applicant: **Samsung Electronics Co., Ltd.**,  
Suwon-si (KR)

(72) Inventors: **Curtis Aumiller**, San Jose, CA (US);  
**Pranav Mistry**, Cupertino, CA (US);  
**Chengyuan Wei**, Dalian (CN)

(73) Assignee: **SAMSUNG ELECTRONICS CO., LTD.**,  
Suwon-Si (KR)

(\*\*) Term: **14 Years**

(21) Appl. No.: **29/520,285**

(22) Filed: **Mar. 12, 2015**

**Related U.S. Application Data**

(63) Continuation of application No. 29/506,263, filed on Oct. 14, 2014, now Pat. No. Des. 727,260, which is a continuation of application No. 29/449,567, filed on Mar. 15, 2013, now Pat. No. Des. 718,712.

(51) **LOC (10) Cl.** ..... **13-02**

(52) **U.S. Cl.**  
USPC ..... **D13/108**

(58) **Field of Classification Search**  
USPC ..... D13/107–110, 118–119, 182, 199;  
D14/251, 253, 432, 434; 320/107–115  
CPC ..... Y02E 60/12; Y02T 90/14; Y02T 90/122;  
Y02T 90/128; Y02T 90/163; H02J 7/025;  
H02J 7/0042; H02J 7/0044; H02J 7/0045;  
H02J 7/0003; H01F 38/14; H01R 13/6675;  
H01M 2/1022; H01M 2/1055; H01M 10/44;  
H01M 10/46; H01M 10/425; B60L 11/182

See application file for complete search history.

(56) **References Cited**

U.S. PATENT DOCUMENTS

D221,081 S	7/1971	Kahn
D300,678 S	4/1989	Barrault
D526,973 S	8/2006	Gates et al.
D537,409 S	2/2007	Suzuki
D550,614 S	9/2007	Fee et al.
D558,207 S	12/2007	Ikeda et al.
D558,208 S	12/2007	Ikeda et al.
D558,209 S	12/2007	Ikeda et al.
D575,289 S	8/2008	Kuo et al.
D585,898 S	2/2009	Skurdai
D602,858 S	10/2009	Ellis et al.
D627,718 S	11/2010	Houghton
D654,431 S	2/2012	Stephanchick et al.

(Continued)

OTHER PUBLICATIONS

Robert V, Apple Watch, blog, Sep. 11, 2014, Dugom Pinoy, <http://www.dugompinoy.com/2014/09/this-is-apple-watch.html>.

*Primary Examiner* — Rosemary K Tarcza

(74) *Attorney, Agent, or Firm* — McAndrews Held & Malloy, Ltd.

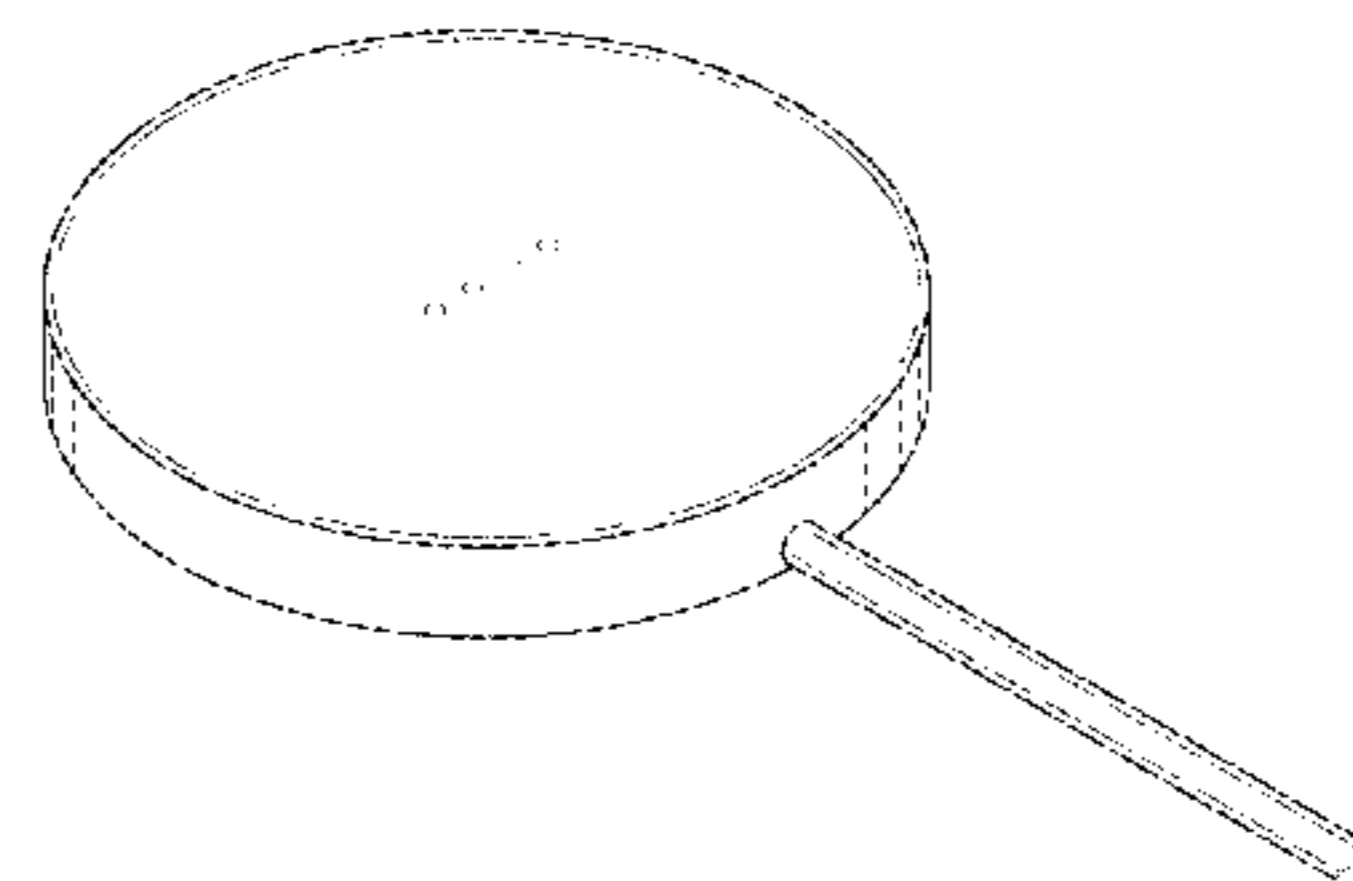
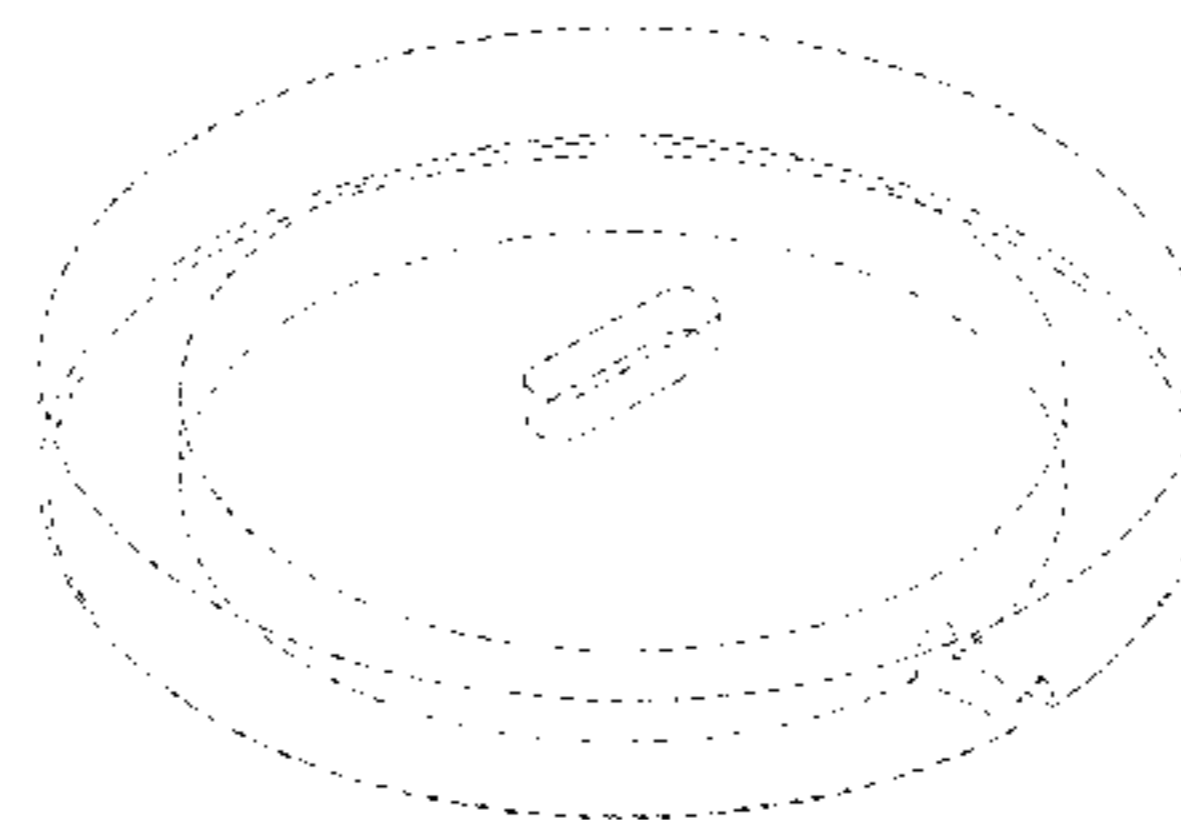
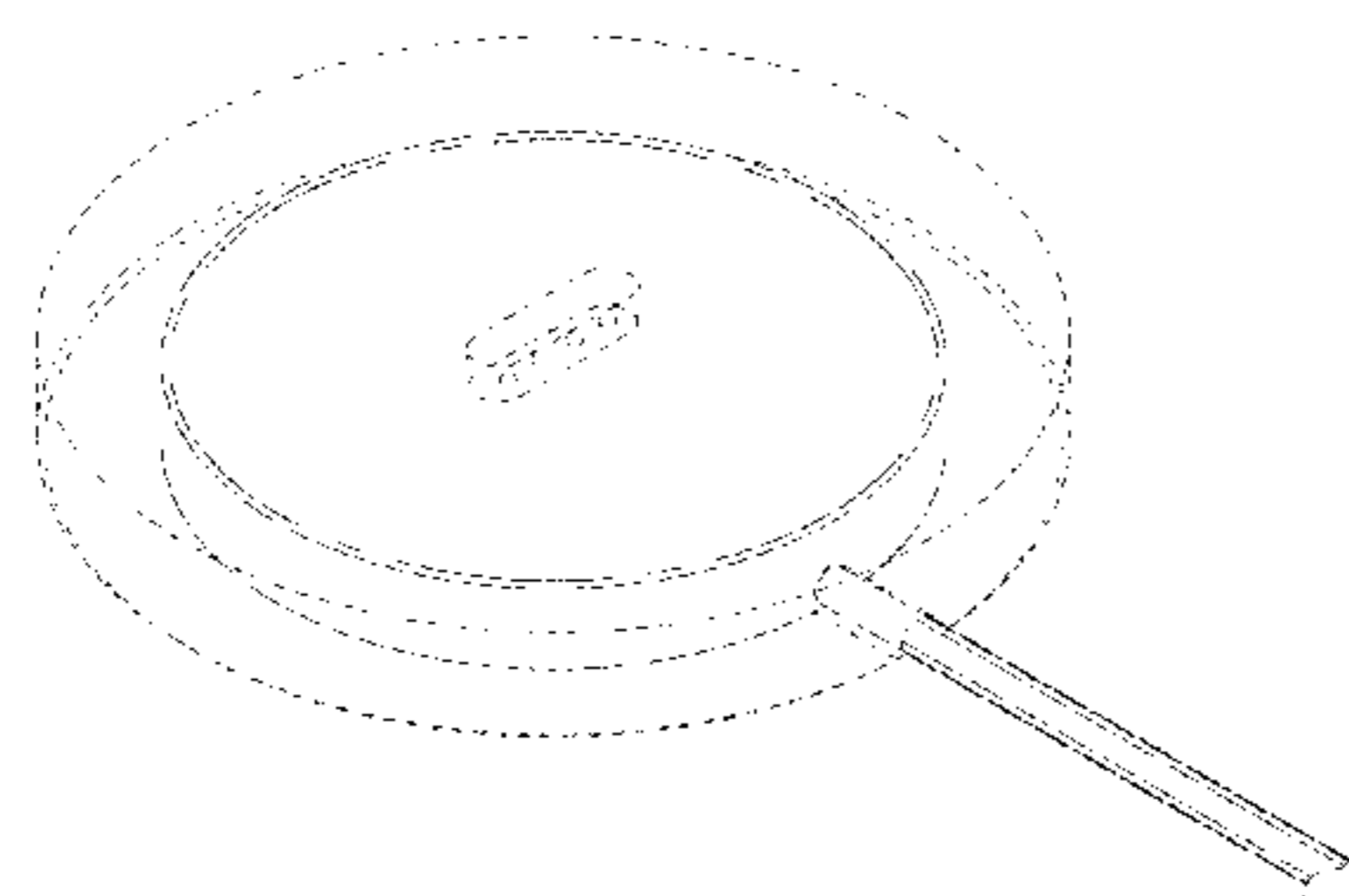
(57) **CLAIM**

The ornamental design for a charger for an electronic device, as shown and described.

**DESCRIPTION**

FIG. 1 is a top right front perspective view of a charger for an electronic device showing our new design; FIG. 2 is a front view thereof; FIG. 3 is a rear view thereof; FIG. 4 is a left-side elevation view thereof; FIG. 5 is a right-side elevation view thereof; FIG. 6 is a top plan view thereof; FIG. 7 is a bottom plan view thereof; and, FIG. 8 is an exploded view of FIG. 1. The dashed broken lines are for environmental purposes only and form no part of the claimed design. The dot-dash broken lines represent an unclaimed boundary line and form no part of the claimed design.

**1 Claim, 4 Drawing Sheets**



(56)

**References Cited**

U.S. PATENT DOCUMENTS

D659,093 S	5/2012	Schmid et al.	
D673,110 S *	12/2012	Sasada et al. ....	D13/108
D680,541 S	4/2013	Lee et al.	
D694,182 S	11/2013	Lee et al.	
D696,190 S	12/2013	Brandtman et al.	
D697,475 S	1/2014	Regole	
D704,634 S	5/2014	Eidelman et al.	
D718,233 S *	11/2014	Aumiller et al. ....	D13/108
D718,234 S *	11/2014	Rautiainen .....	D13/108
D718,236 S *	11/2014	Murray .....	D13/108
D718,712 S *	12/2014	Aumiller et al. ....	D13/108
D720,289 S *	12/2014	Chiang et al. ....	D13/108
D725,034 S *	3/2015	Chen .....	D13/108
D727,260 S *	4/2015	Aumiller et al. ....	D13/108
2009/0134838 A1	5/2009	Raghuprasad	
2012/0104999 A1 *	5/2012	Teggatz et al. ....	320/108
2014/0117926 A1 *	5/2014	Hwu et al. ....	320/108
2015/0091500 A1 *	4/2015	Claudepierre .....	320/108

\* cited by examiner

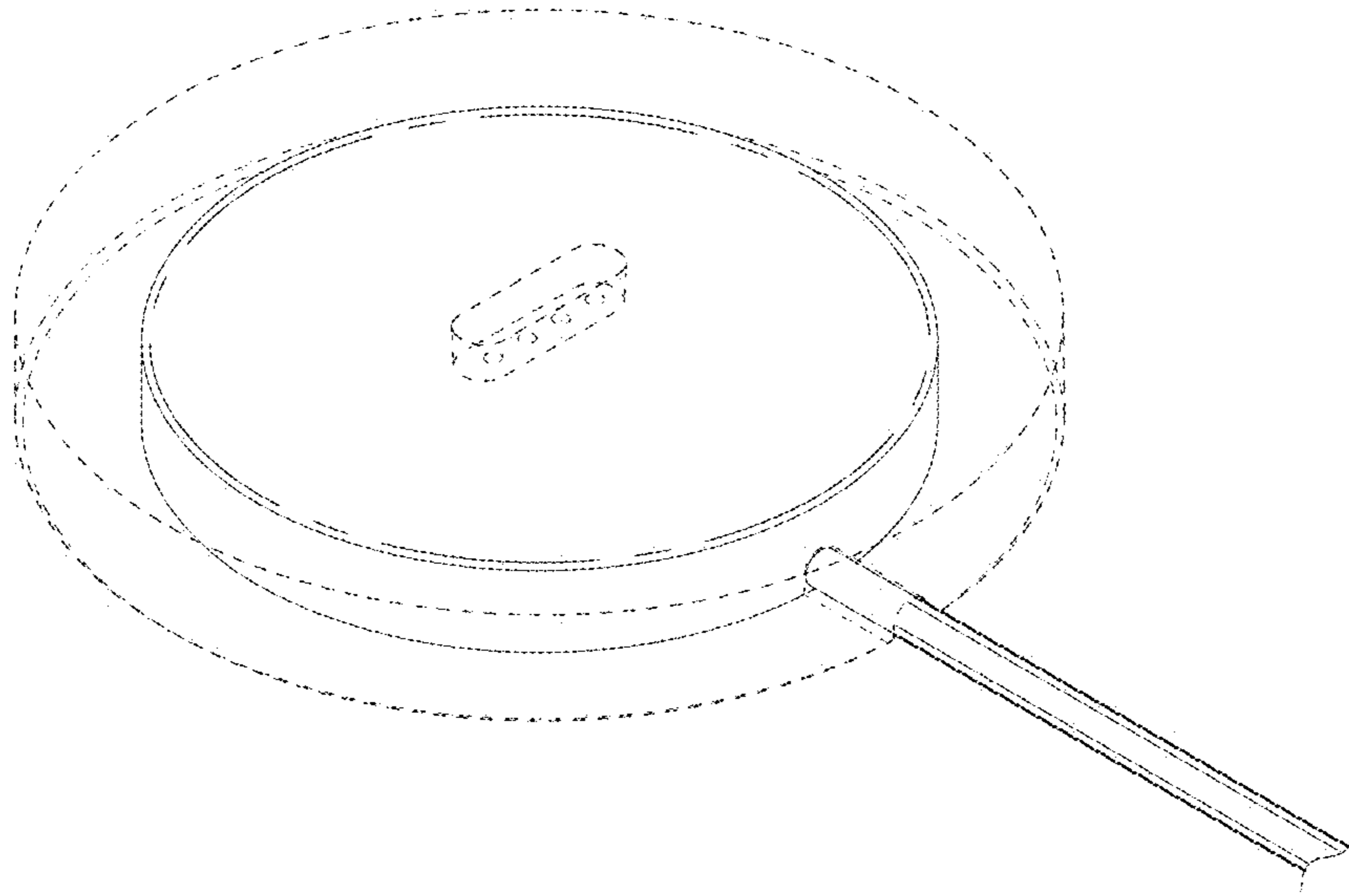


FIG.1

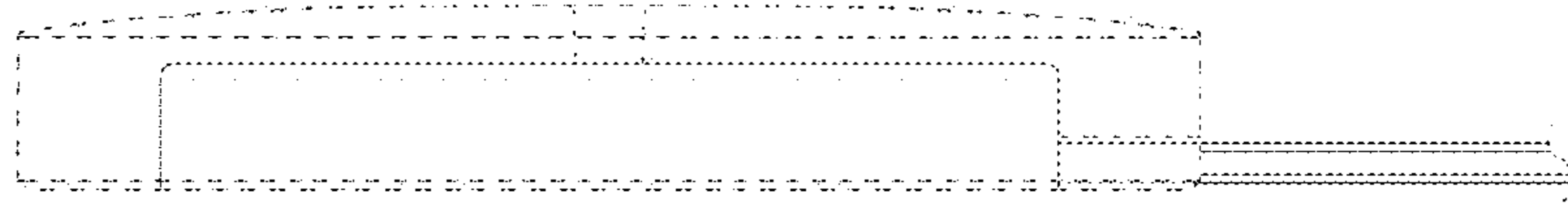


FIG. 2

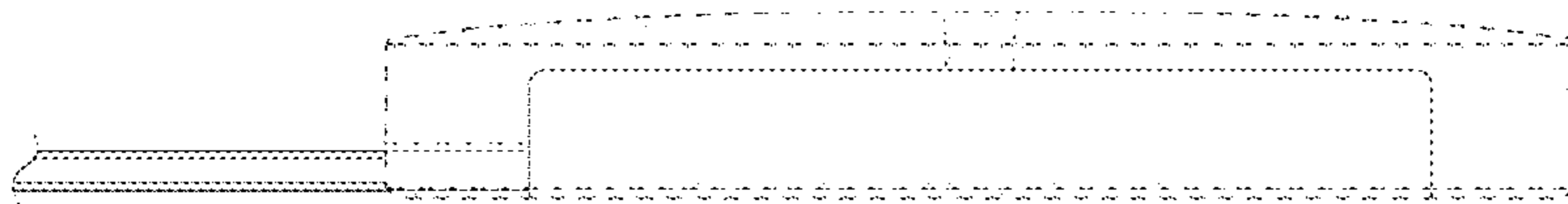


FIG. 3

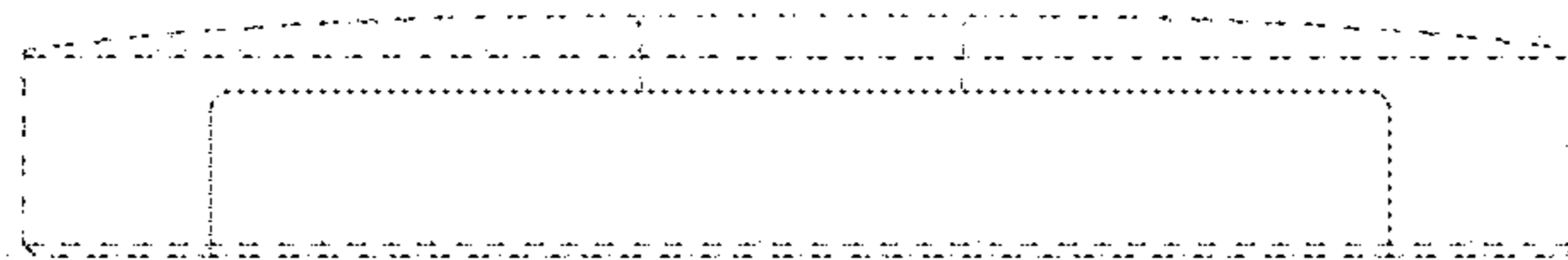


FIG. 4

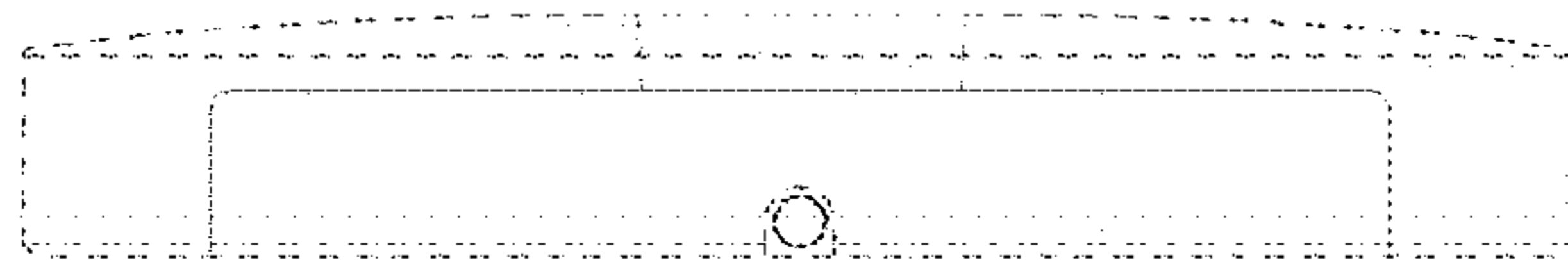


FIG. 5

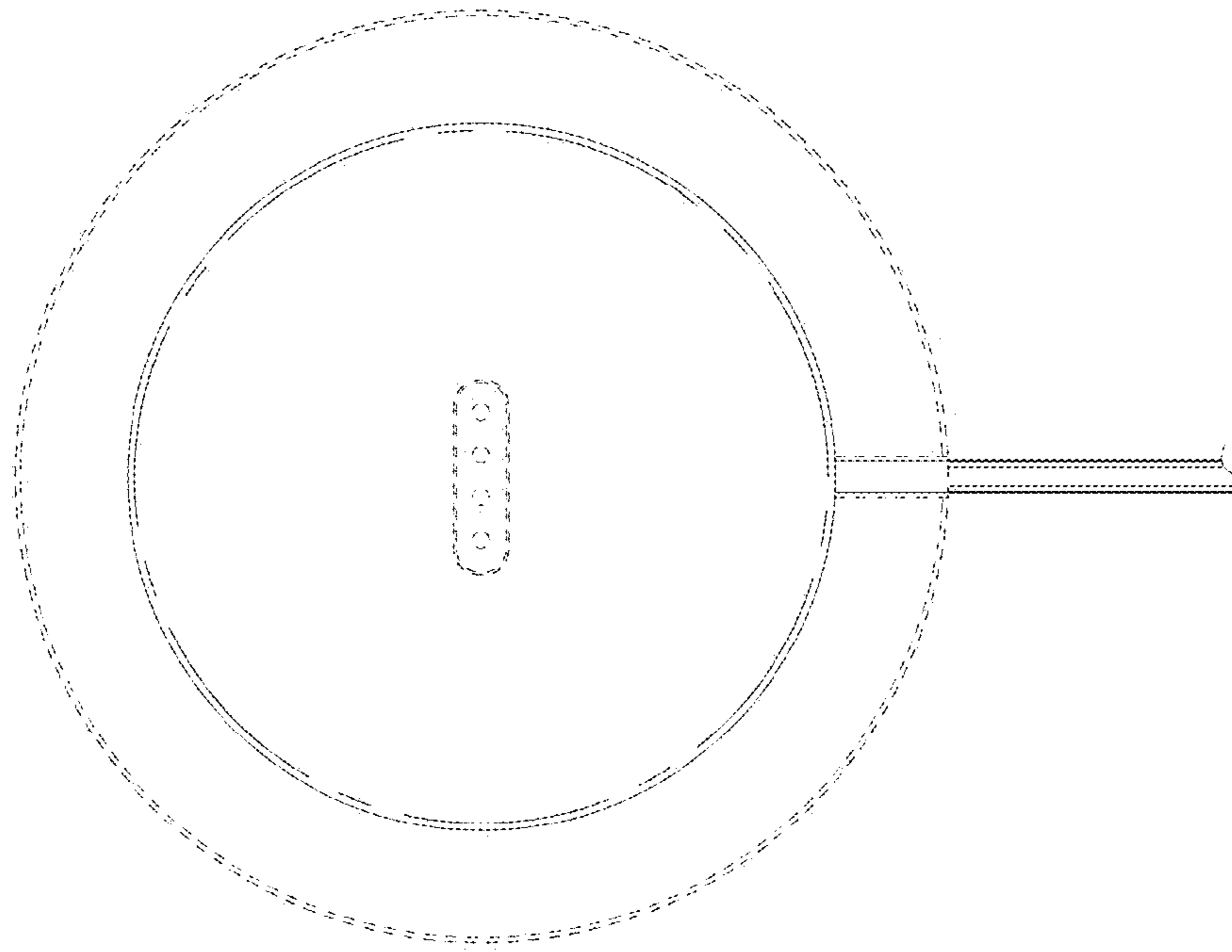


FIG. 6

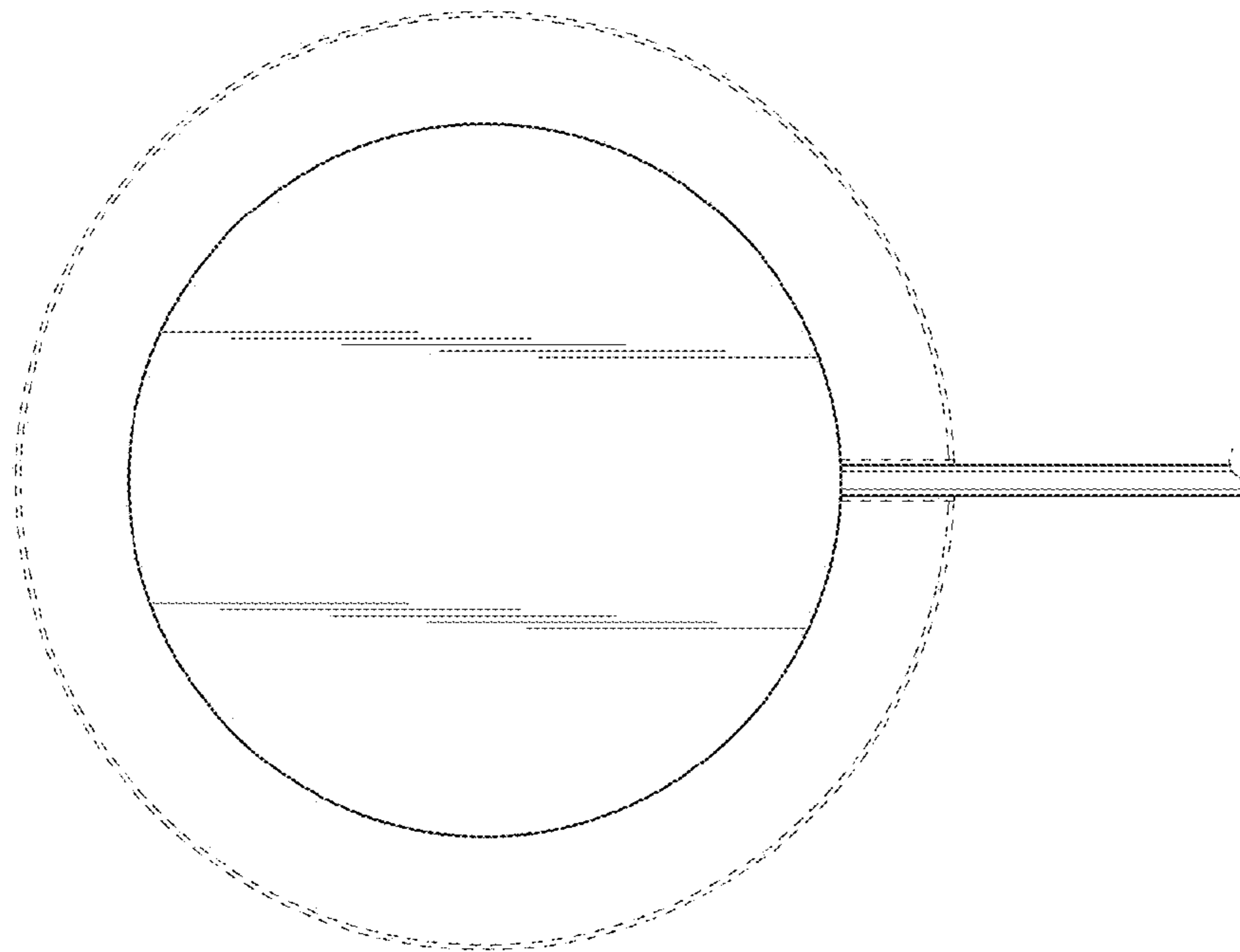


FIG. 7

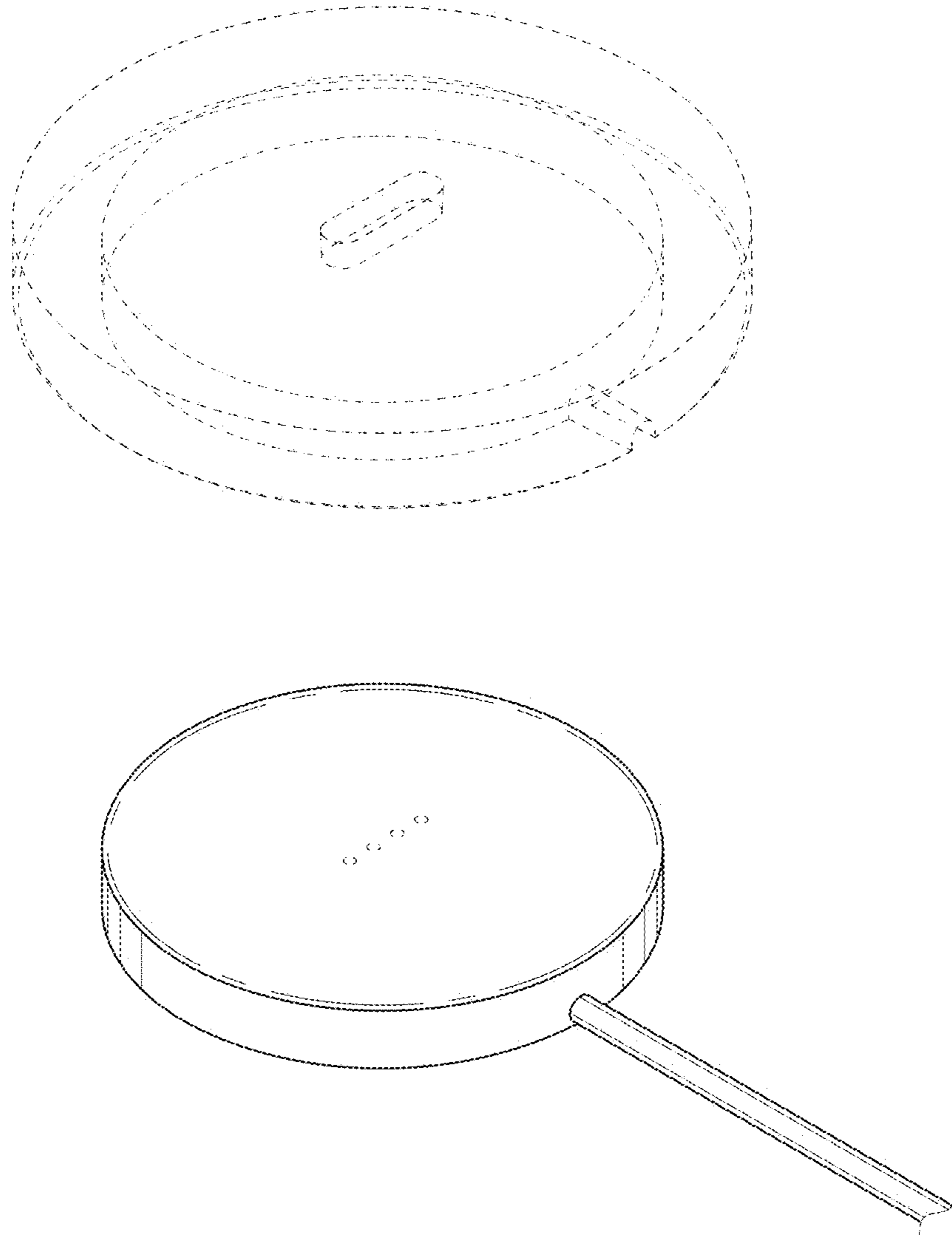


FIG.8