



US00D746771S

(12) **United States Design Patent**
Perez

(10) **Patent No.:** **US D746,771 S**
(45) **Date of Patent:** **** Jan. 5, 2016**

(54) **PORTABLE CHARGER**

(71) Applicant: **Nokia Corporation**, Espoo (FI)

(72) Inventor: **Jose Perez**, Helsinki (FI)

(73) Assignee: **MICROSOFT MOBILE OY**, Espoo (FI)

(**) Term: **14 Years**

(21) Appl. No.: **29/481,914**

(22) Filed: **Feb. 12, 2014**

(51) **LOC (10) Cl.** **13-02**

(52) **U.S. Cl.**
USPC **D13/108**

(58) **Field of Classification Search**

USPC D13/107–110, 118–119, 182, 199;
D14/251, 253, 432, 434; 320/107–115
CPC Y02E 60/12; Y02T 90/14; Y02T 90/122;
Y02T 90/128; Y02T 90/163; H02J 7/025;
H02J 7/0042; H02J 7/0044; H02J 7/0045;
H02J 7/0003; H01F 38/14; H01R 13/6675;
H01M 2/1022; H01M 2/1055; H01M 10/44;
H01M 10/46; H01M 10/425; B60L 11/182
See application file for complete search history.

(56) **References Cited**

U.S. PATENT DOCUMENTS

D446,499 S *	8/2001	Andre	D13/110
D520,502 S *	5/2006	Xu	D14/356
D520,994 S *	5/2006	Weiher	D14/356
D565,571 S *	4/2008	Trifilio	D14/356
D576,100 S *	9/2008	Wang	D13/110
D586,740 S *	2/2009	Song	D13/103
D586,741 S *	2/2009	Song	D13/103
D593,940 S *	6/2009	Nomi	D13/103
D601,490 S *	10/2009	Zhu	D13/102
D631,838 S *	2/2011	Cheng	D13/108
D643,807 S *	8/2011	Jiang	D13/103

D654,429 S *	2/2012	Li	D13/103
D677,623 S *	3/2013	Fitch	D13/108
D678,191 S *	3/2013	Fitch	D13/108
D694,708 S *	12/2013	Kim	D13/108
D703,134 S *	4/2014	Wong	D13/108
D705,724 S *	5/2014	Yu	D13/108
D708,129 S *	7/2014	Houghton	D13/103
D711,821 S *	8/2014	Wang	D13/103
D713,334 S *	9/2014	Mao	D13/103

* cited by examiner

Primary Examiner — Rosemary K Tarcza

(74) *Attorney, Agent, or Firm* — Banner & Witcoff, Ltd.

(57) **CLAIM**

The ornamental design for a portable charger, as shown and described.

DESCRIPTION

FIG. 1 is a perspective top-front view of a first embodiment of a portable charger showing my new design;

FIG. 2 is a front view thereof;

FIG. 3 is a rear view thereof;

FIG. 4 is a left side view thereof;

FIG. 5 is a right side view thereof;

FIG. 6 is a top view thereof;

FIG. 7 is a bottom view thereof;

FIG. 8 is a perspective top-front view of a second embodiment of a portable charger showing my new design;

FIG. 9 is a front view thereof;

FIG. 10 is a rear view thereof;

FIG. 11 is a left side view thereof;

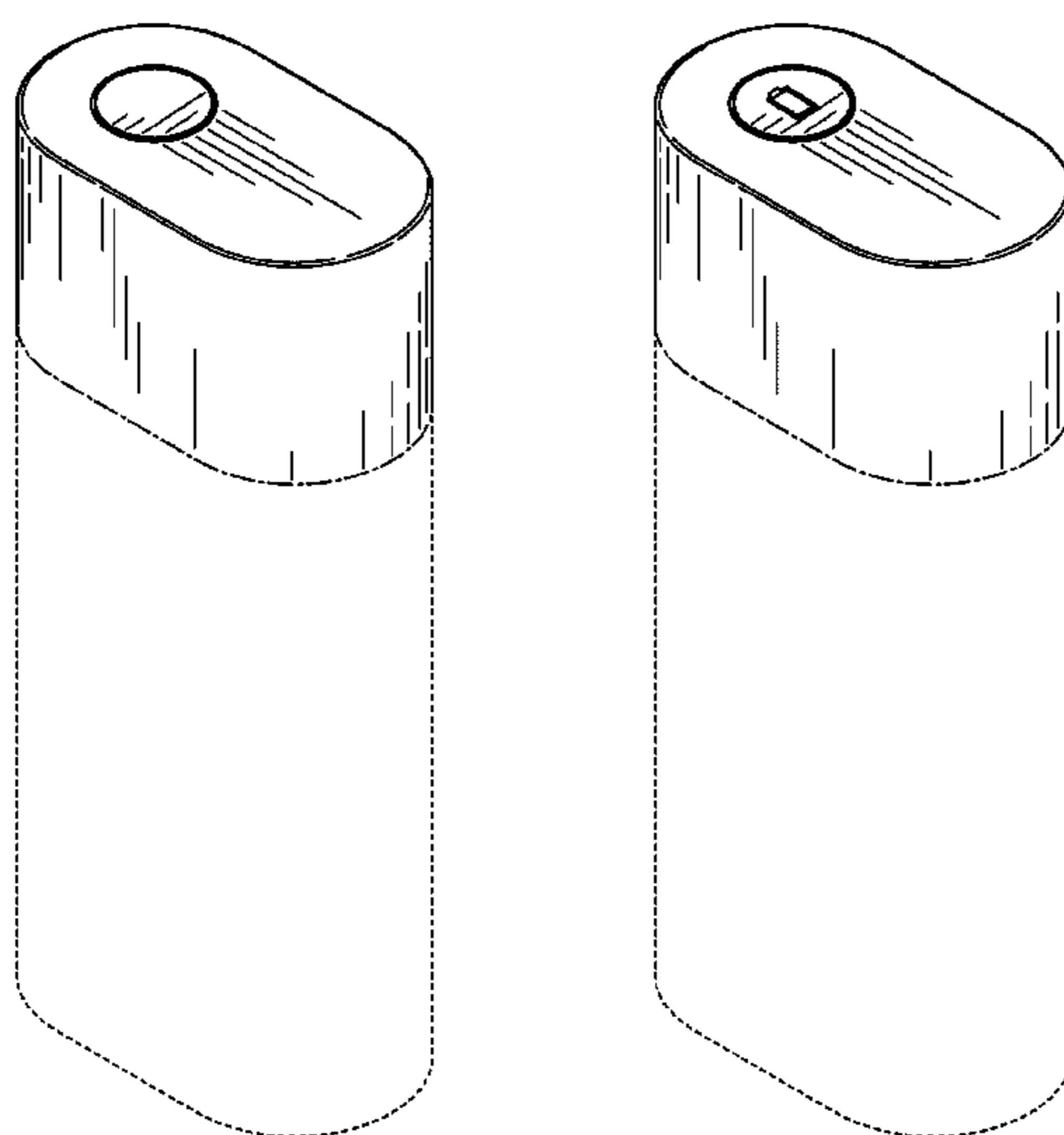
FIG. 12 is a right side view thereof;

FIG. 13 is a top view thereof; and,

FIG. 14 is a bottom view thereof.

The broken lines immediately adjacent to the shaded area represent unclaimed boundaries of the design. The broken line showing of the portable charger is for illustrative purposes only and forms no part of the claimed design.

1 Claim, 6 Drawing Sheets



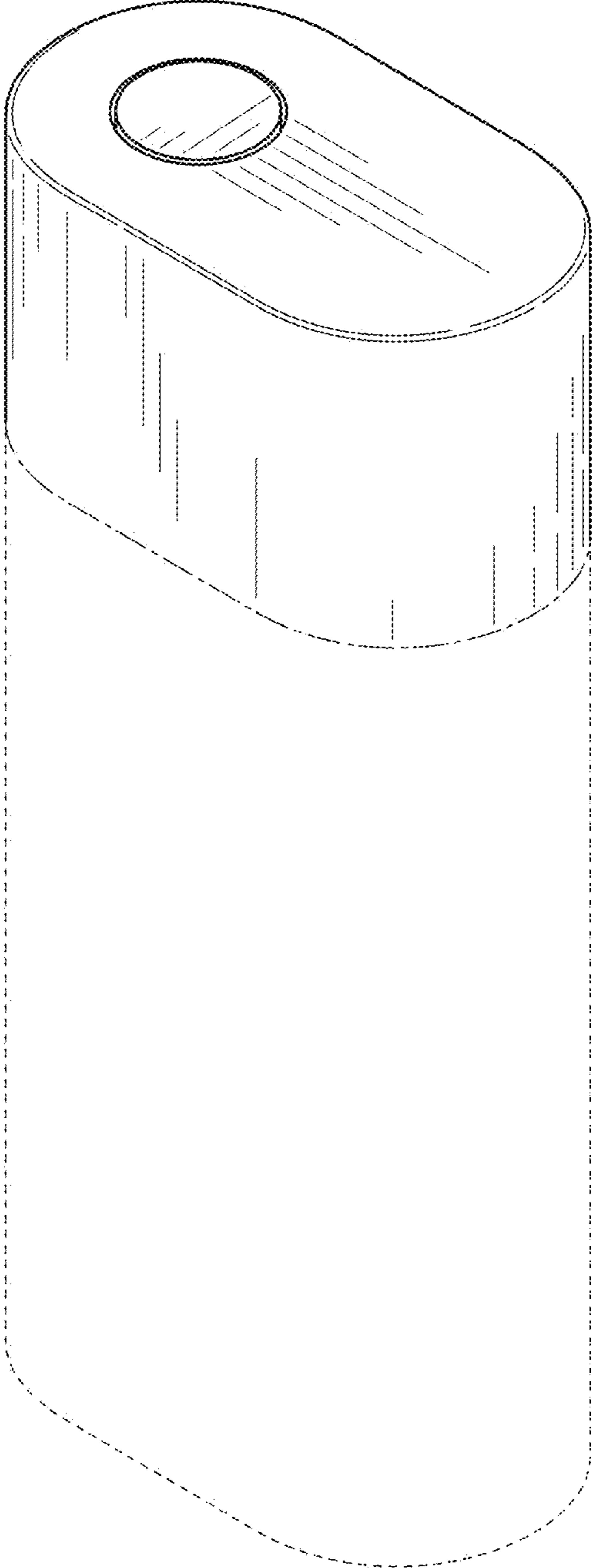


FIG. 1

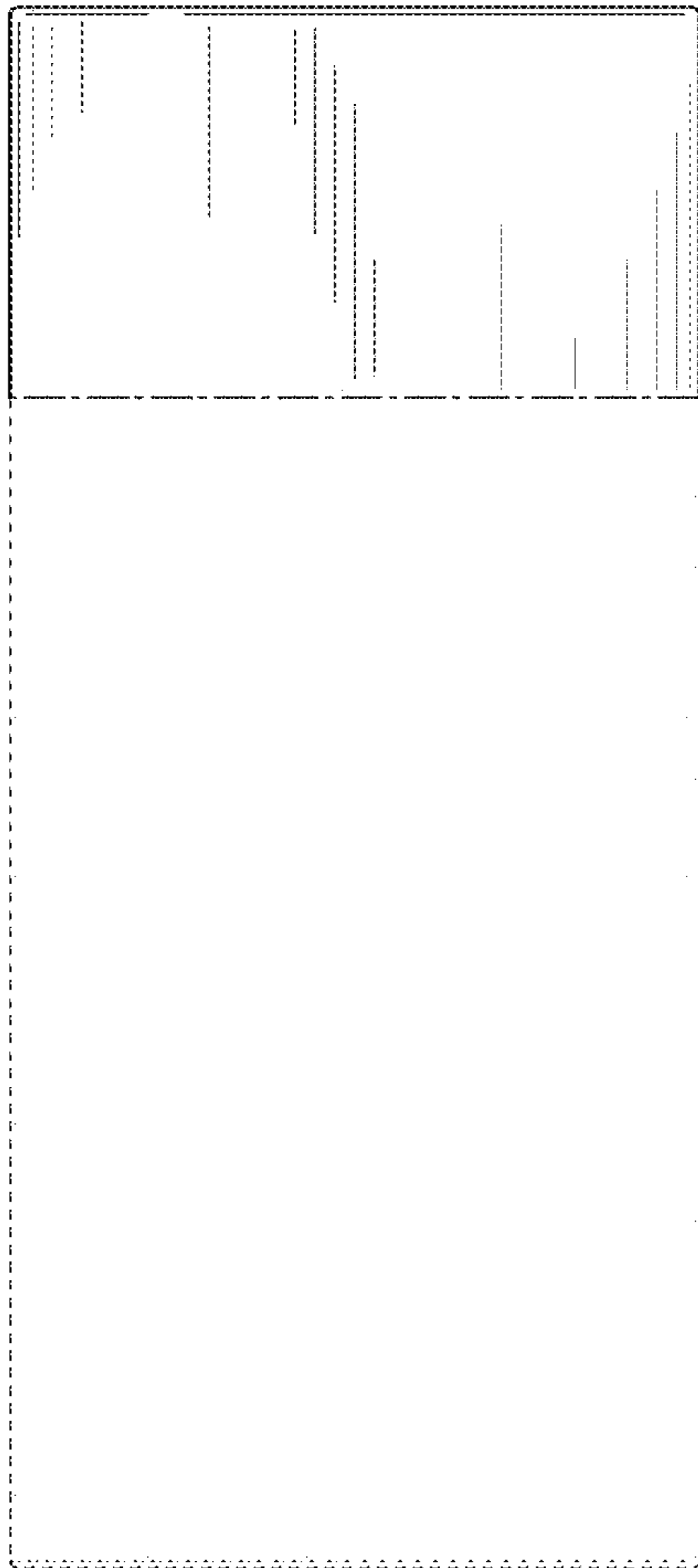


FIG. 2

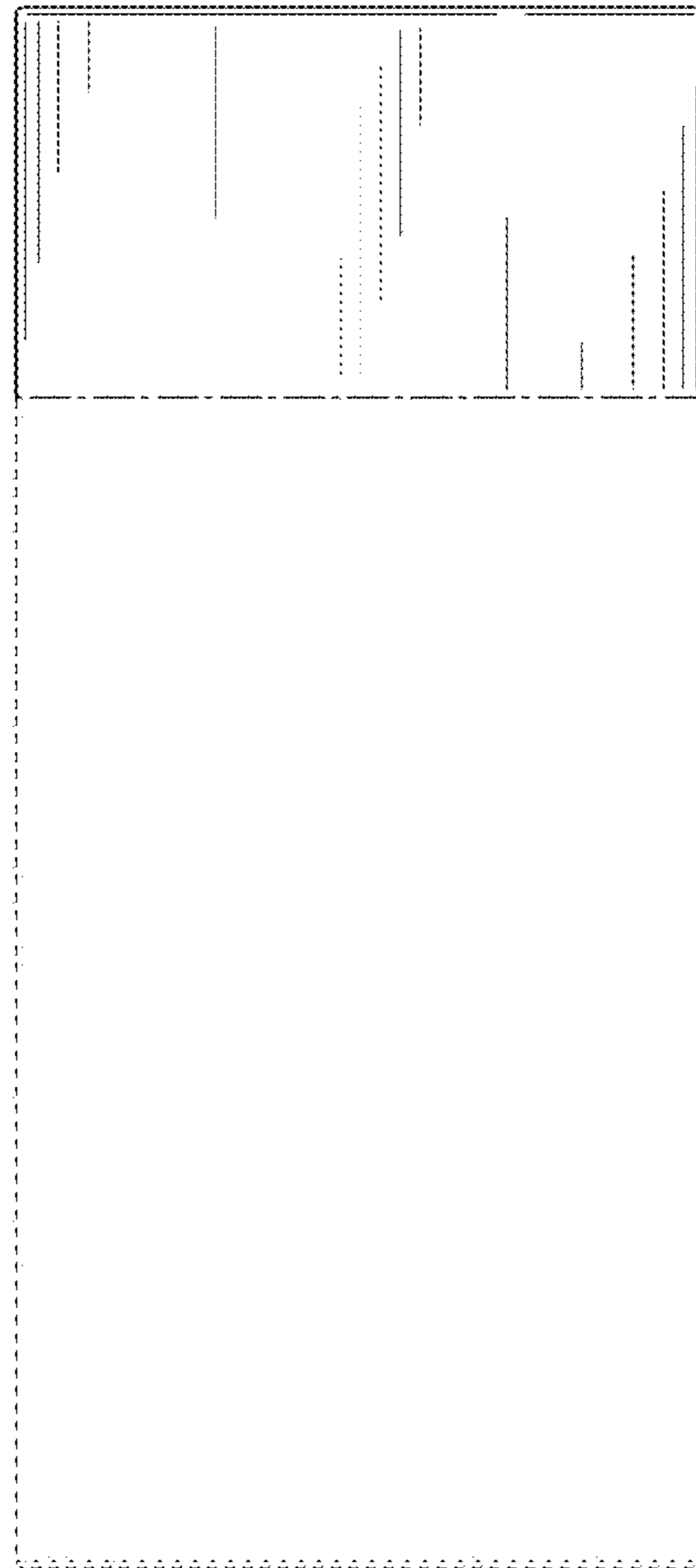


FIG. 3

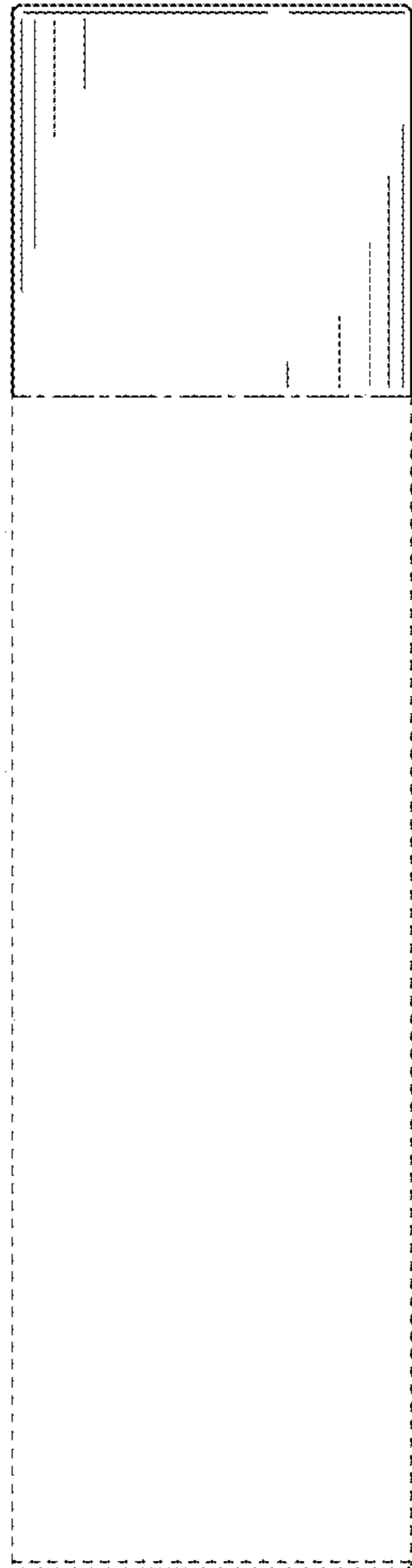


FIG. 4

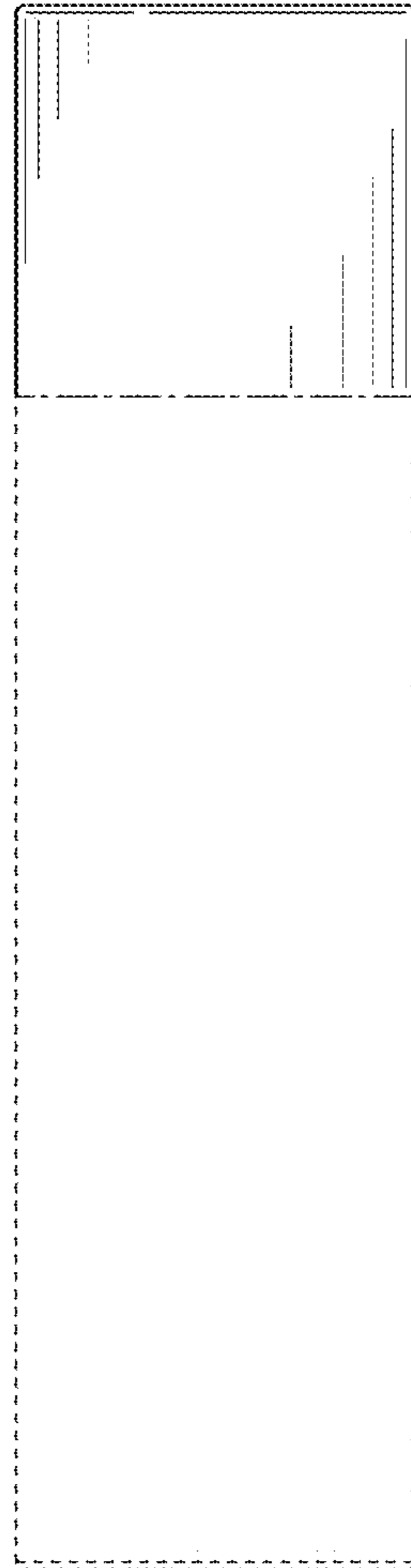


FIG. 5

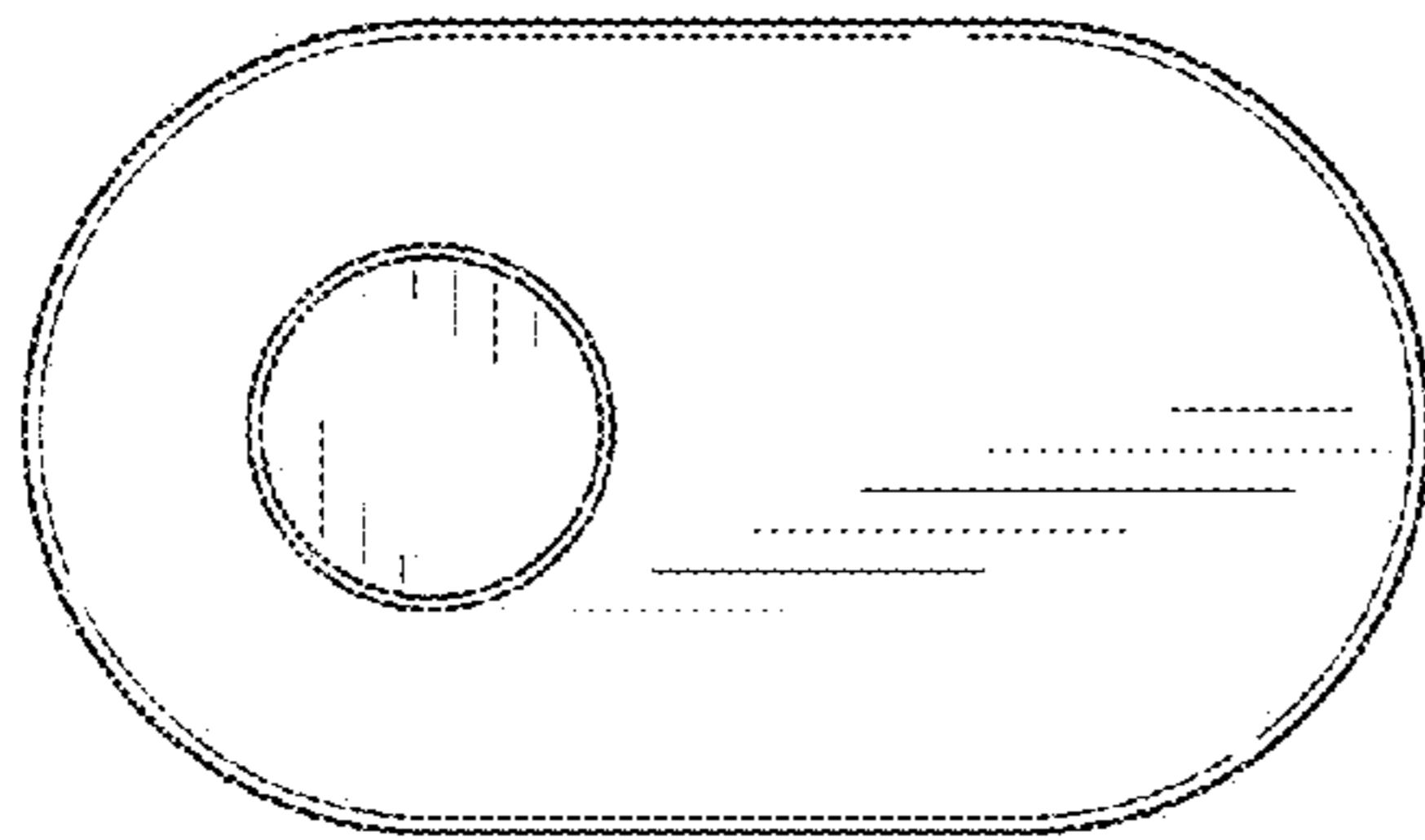


FIG. 6

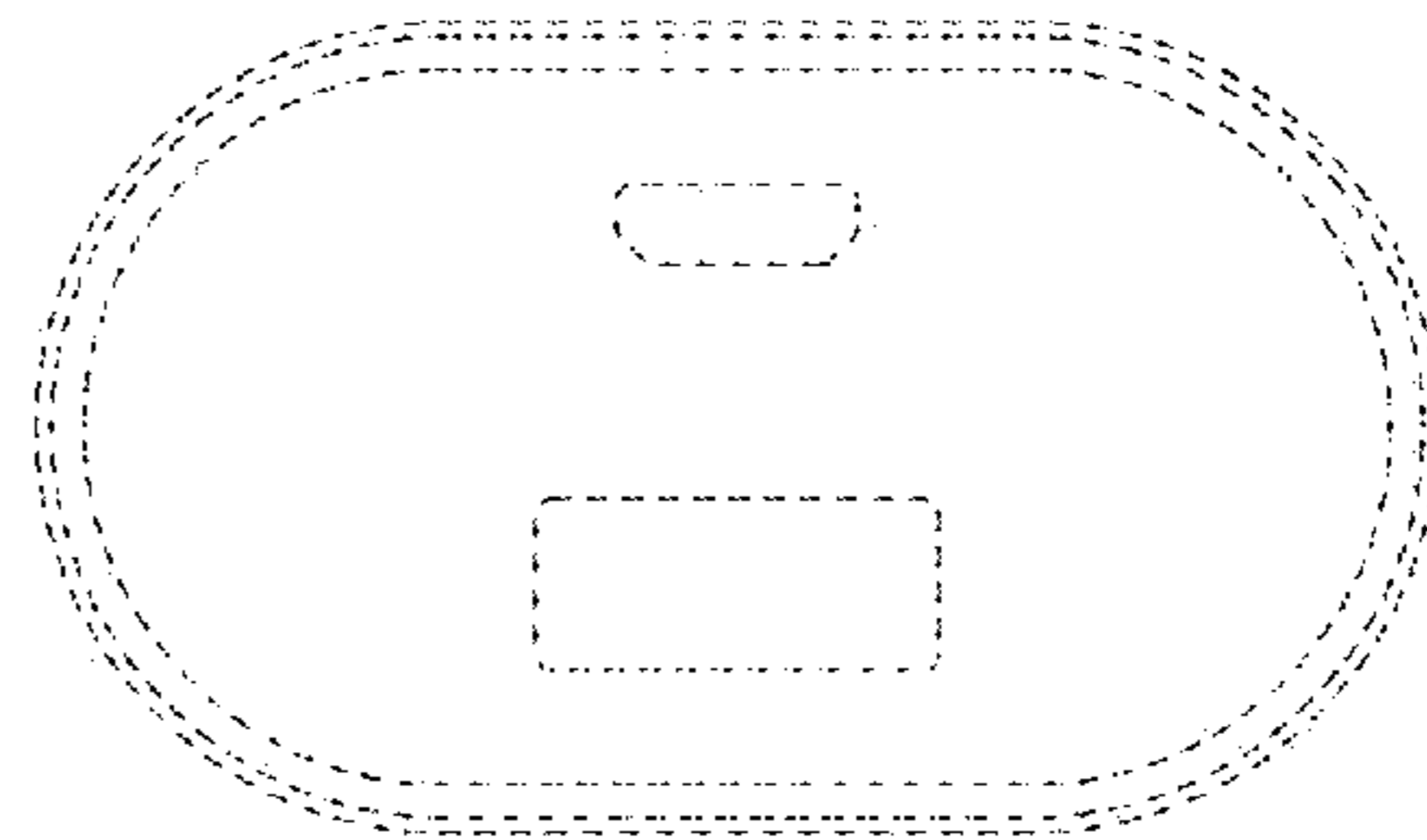


FIG. 7

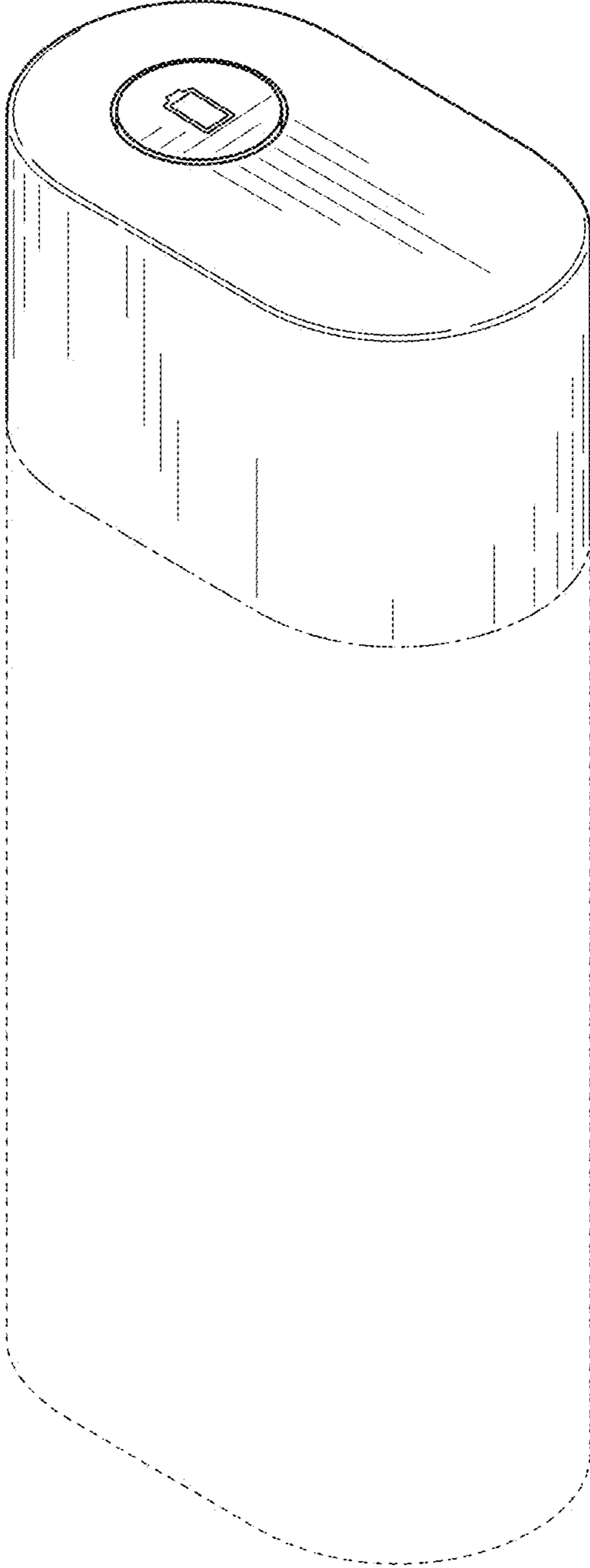


FIG. 8



FIG. 9



FIG. 10

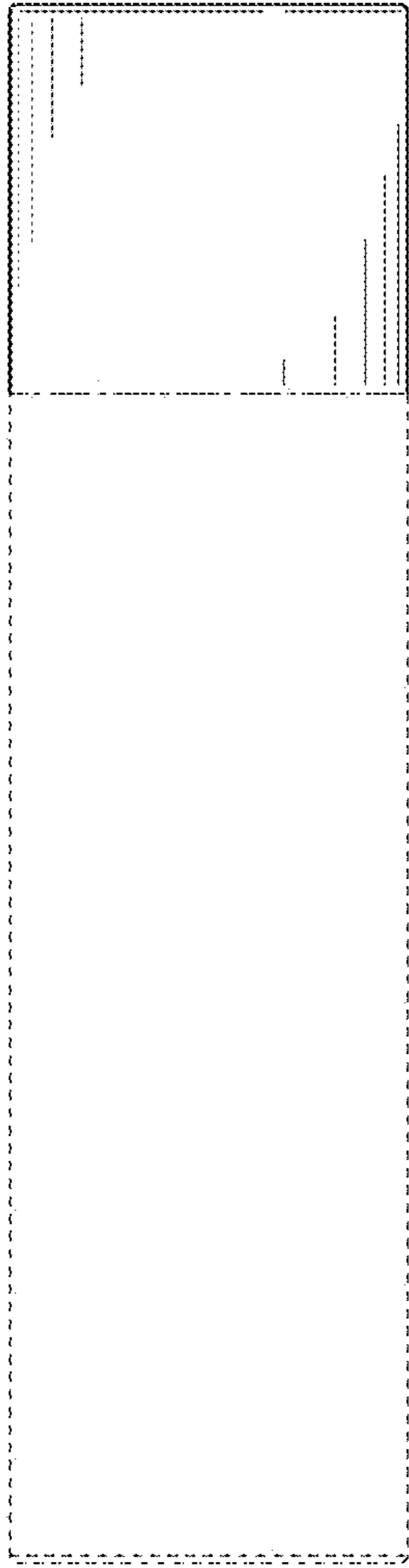


FIG. 11

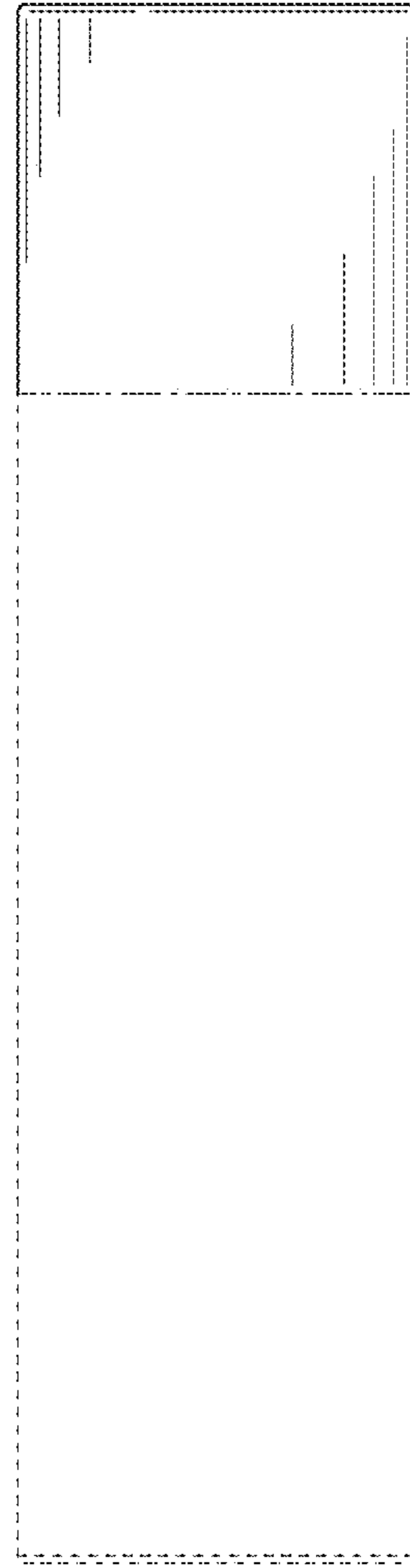


FIG. 12

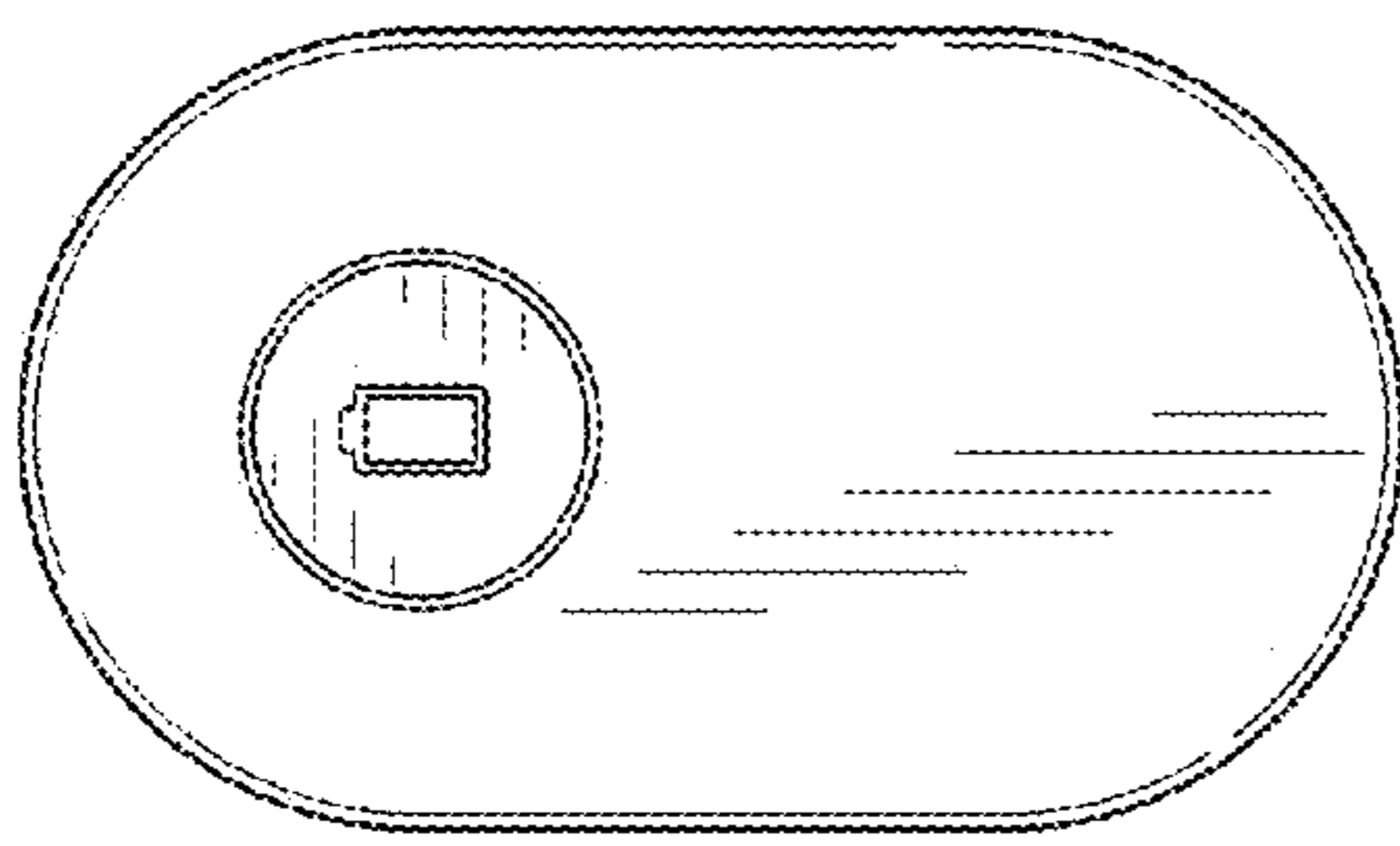


FIG. 13

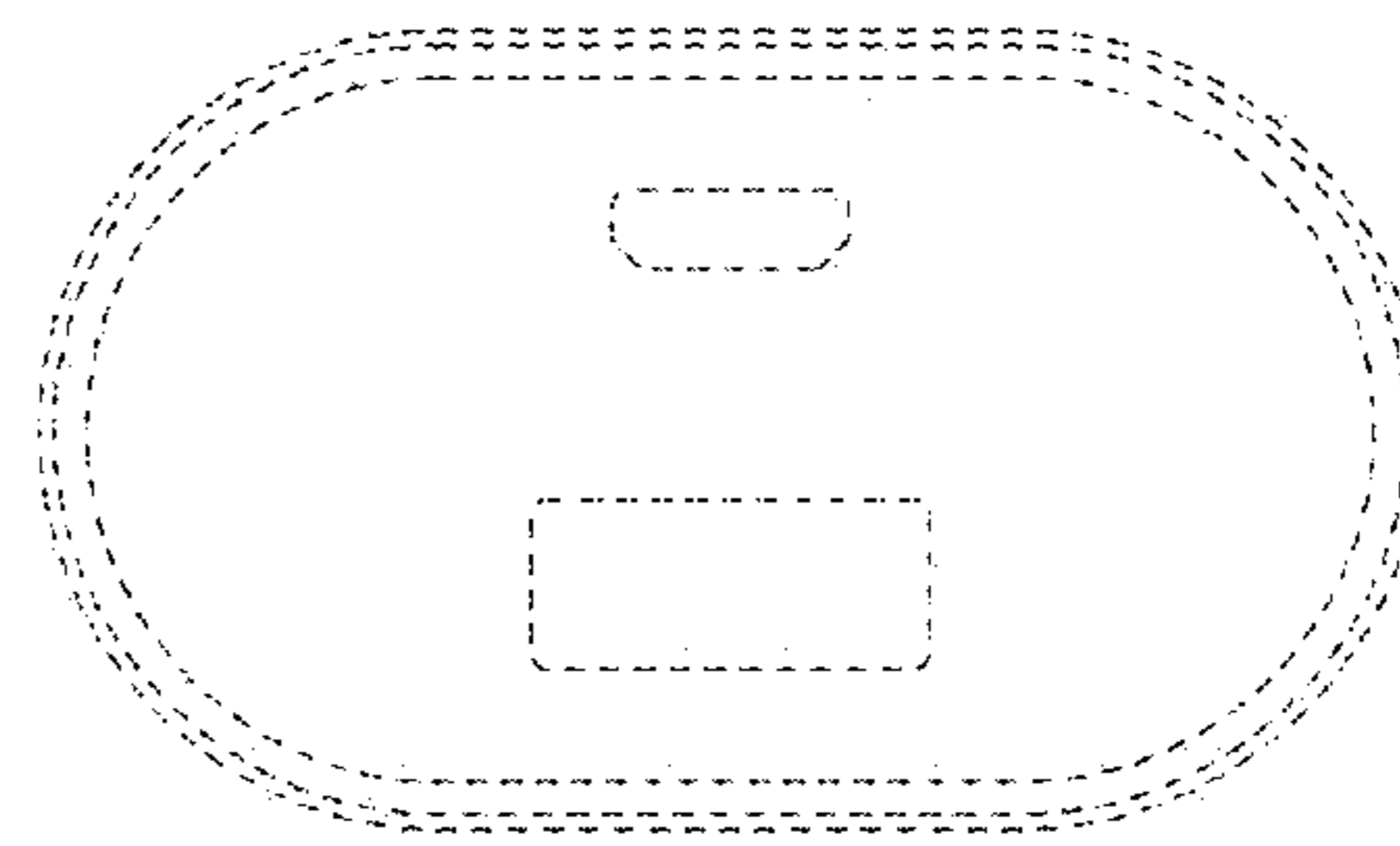


FIG. 14