



US00D746768S

(12) **United States Design Patent**
Laitila et al.

(10) **Patent No.:** **US D746,768 S**
(45) **Date of Patent:** **** Jan. 5, 2016**

(54) **SOLAR PANEL RACK**

(71) Applicants: **Mika Brian Laitila**, Peterborough (CA);
Antero Samuel Laitila, Peterborough
(CA); **Toni Peter Laitila**, Peterborough
(CA)

(72) Inventors: **Mika Brian Laitila**, Peterborough (CA);
Antero Samuel Laitila, Peterborough
(CA); **Toni Peter Laitila**, Peterborough
(CA)

(**) Term: **14 Years**

(21) Appl. No.: **29/454,926**

(22) Filed: **May 15, 2013**

(51) **LOC (10) Cl.** **13-02**

(52) **U.S. Cl.**

USPC **D13/102**

(58) **Field of Classification Search**

USPC D13/101, 102, 107, 184, 199; D25/57,
D25/61, 199; 57/74, 77, 78; 126/569, 571,
126/577, 600, 603, 605, 606, 608, 704;
136/243, 251; 320/101

See application file for complete search history.

(56) **References Cited**

U.S. PATENT DOCUMENTS

4,025,786	A	5/1977	Hamilton	
4,088,120	A *	5/1978	Anderson	126/573
4,226,256	A	10/1980	Hawley	
4,280,853	A *	7/1981	Palazzetti et al.	136/246
4,378,006	A	3/1983	Hawley	
4,421,943	A	12/1983	Withjack	
D279,214	S *	6/1985	Hanson	D13/102

(Continued)

FOREIGN PATENT DOCUMENTS

DE	102006028494	A1	1/2008
DE	102010029006	A1	11/2011

(Continued)

OTHER PUBLICATIONS

International Searching Authority (ISA/CA), International Search Report and Written Opinion, mailed Dec. 5, 2013, for related International Patent Application No. PCT/CA2013/000706.

(Continued)

Primary Examiner — Derrick Holland

Assistant Examiner — Jennifer O King

(74) *Attorney, Agent, or Firm* — Gowling Lafleur Henderson LLP

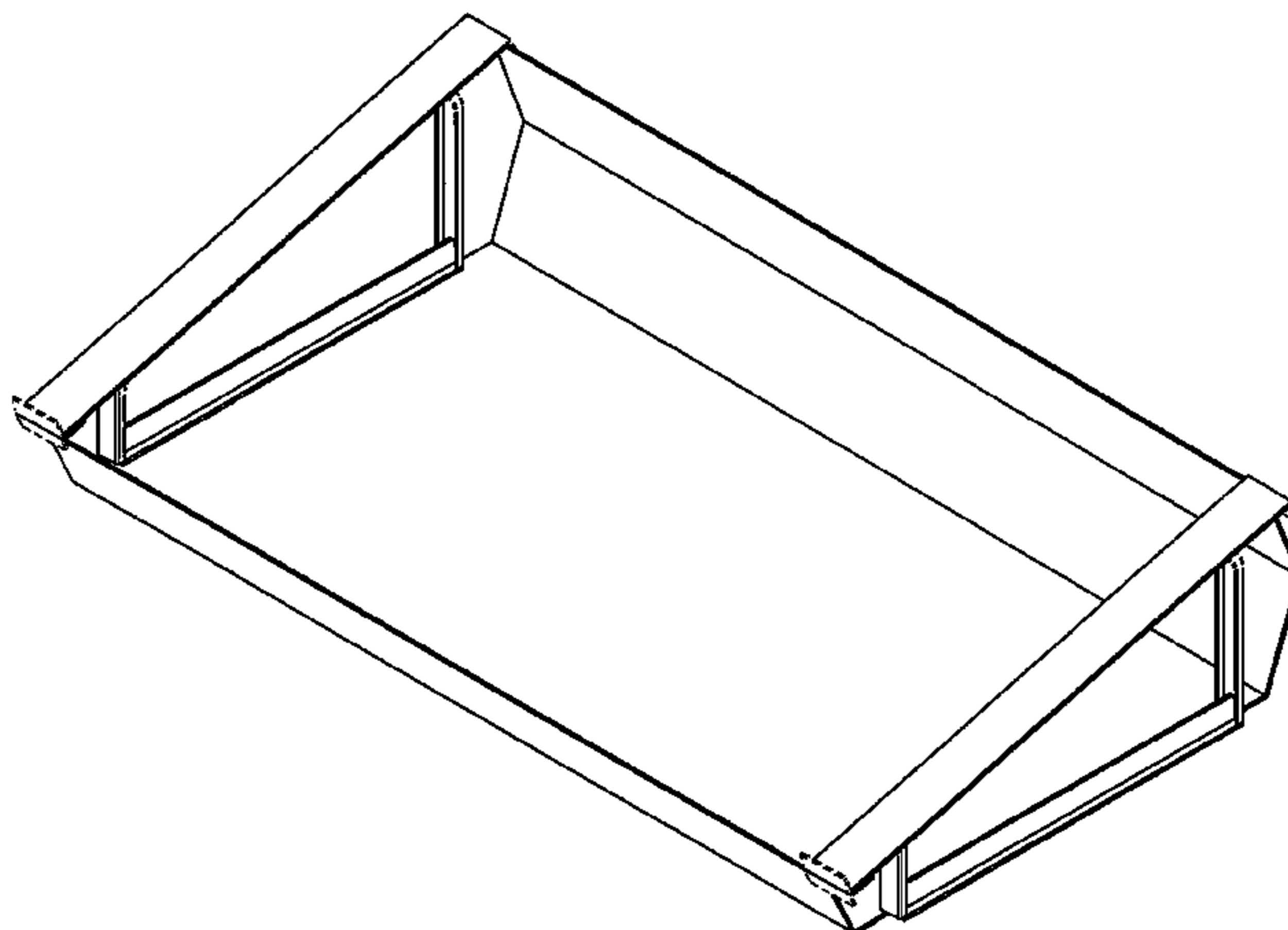
(57) **CLAIM**

The ornamental design for a solar panel rack, as shown and described.

DESCRIPTION

FIG. 1 is a front perspective view of a solar panel rack; FIG. 2 is a rear perspective view thereof; FIG. 3 is a side view thereof; FIG. 4 is another side view thereof; FIG. 5 is a top view thereof; FIG. 6 is a bottom view thereof; FIG. 7 is a front view thereof; FIG. 8 is a rear view of the thereof; FIG. 9 is a front perspective view of a second embodiment thereof; FIG. 10 is a rear perspective view of a second embodiment thereof; FIG. 11 is a side view of a second embodiment thereof; FIG. 12 is another side view of a second embodiment thereof; FIG. 13 is a top view of a second embodiment thereof; FIG. 14 is a bottom view of a second embodiment thereof; FIG. 15 is a front view of a second embodiment thereof; and, FIG. 16 is a rear view of a second embodiment thereof. The broken lines shown represent unclaimed subject matter and form no part of the claimed design.

1 Claim, 16 Drawing Sheets



(56)

References Cited

U.S. PATENT DOCUMENTS

4,888,921 A * 12/1989 Markham 52/63
 4,999,059 A * 3/1991 Bagno 136/248
 5,228,924 A 7/1993 Barker et al.
 5,333,602 A * 8/1994 Huang 126/608
 5,986,203 A 11/1999 Hanoka et al.
 6,000,663 A 12/1999 Plasse et al.
 6,809,251 B2 10/2004 Dinwoodie
 D510,315 S * 10/2005 Shugar et al. D13/102
 RE38,988 E 2/2006 Dinwoodie
 D519,444 S * 4/2006 Mascolo D13/102
 D596,315 S * 7/2009 Bateman et al. D25/61
 D596,316 S * 7/2009 Bateman et al. D25/61
 D649,930 S * 12/2011 Lindor D13/102
 D652,789 S * 1/2012 Kawai et al. D13/102
 8,122,682 B2 2/2012 Mischo
 D658,120 S * 4/2012 Kawai et al. D13/102
 D662,042 S * 6/2012 Yeh D13/102
 D663,683 S * 7/2012 Fischer D13/102
 8,276,330 B2 10/2012 Harberts et al.
 8,316,619 B1 11/2012 Rego et al.
 D671,885 S * 12/2012 Steinau D13/102
 8,567,132 B2 10/2013 Rothschild et al.
 D697,864 S * 1/2014 McGrath D13/102
 8,621,813 B2 1/2014 Dube
 D699,666 S * 2/2014 Moyal D13/102
 2009/0211182 A1 8/2009 Proisy

2009/0211625 A1 8/2009 Schwarze
 2010/0225266 A1 9/2010 Hartman
 2010/0236610 A1 9/2010 Stancel et al.
 2011/0067749 A1 3/2011 Zuritis
 2011/0162689 A1 7/2011 Ueda et al.
 2011/0252724 A1 10/2011 Heisler
 2011/0277400 A1 11/2011 Kosslinger et al.
 2011/0303212 A1* 12/2011 Schwarze 126/569
 2012/0137602 A1 6/2012 Sager et al.
 2012/0312356 A1 12/2012 Mizuo et al.
 2012/0312357 A1 12/2012 Sagayama
 2013/0112245 A1 5/2013 Krasnov
 2013/0112248 A1 5/2013 McPheeters

FOREIGN PATENT DOCUMENTS

DE 102006028494 B4 12/2011
 EP 2634507 A1 9/2013
 FR 2890725 A1 3/2007
 WO 02073703 A1 9/2002
 WO 2007079382 A2 7/2007

OTHER PUBLICATIONS

International Searching Authority (ISA/CA), International Search Report and Written Opinion, mailed Sep. 6, 2013, for related International Patent Application No. PCT/CA2013/000462.

* cited by examiner

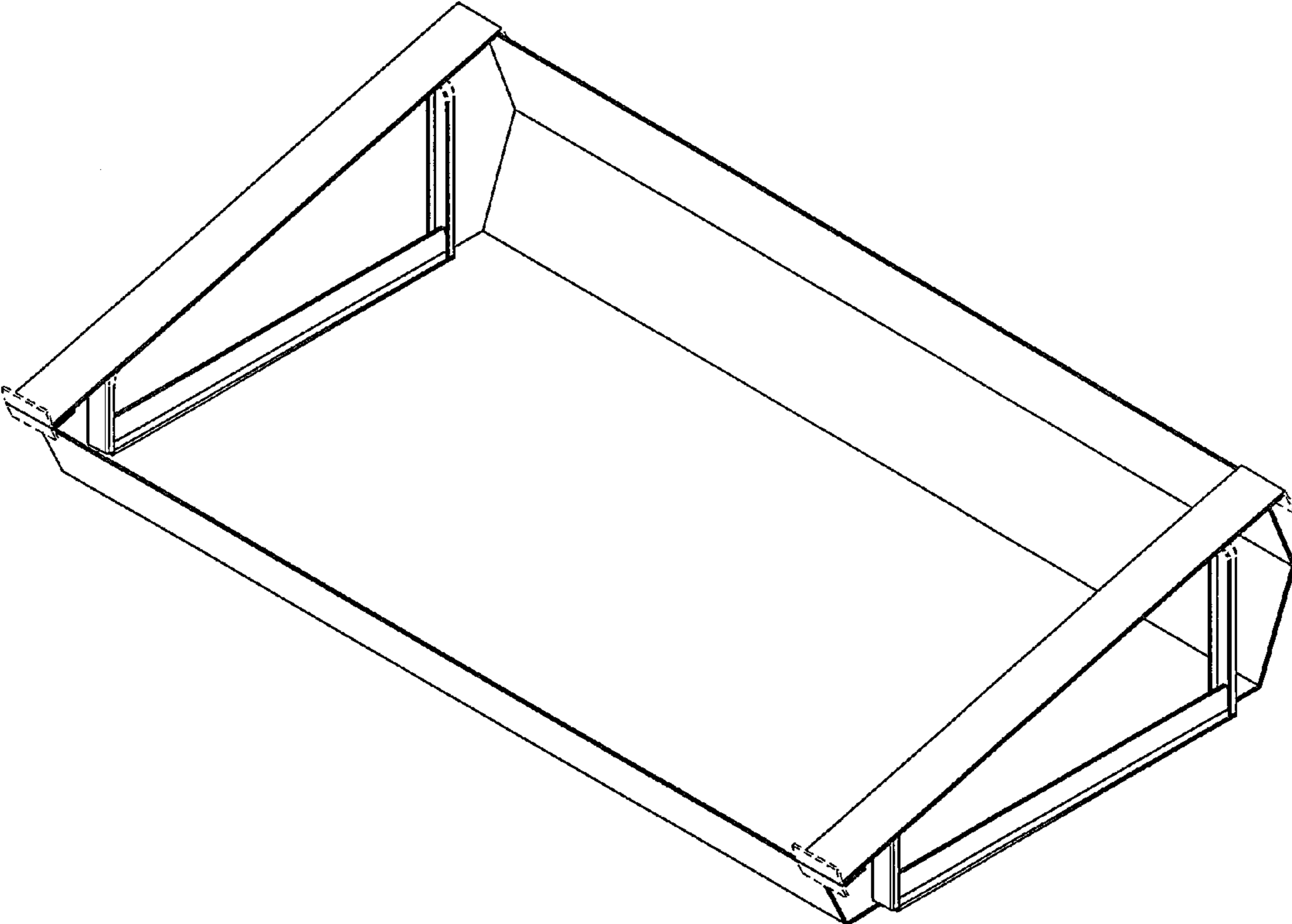


FIG. 1

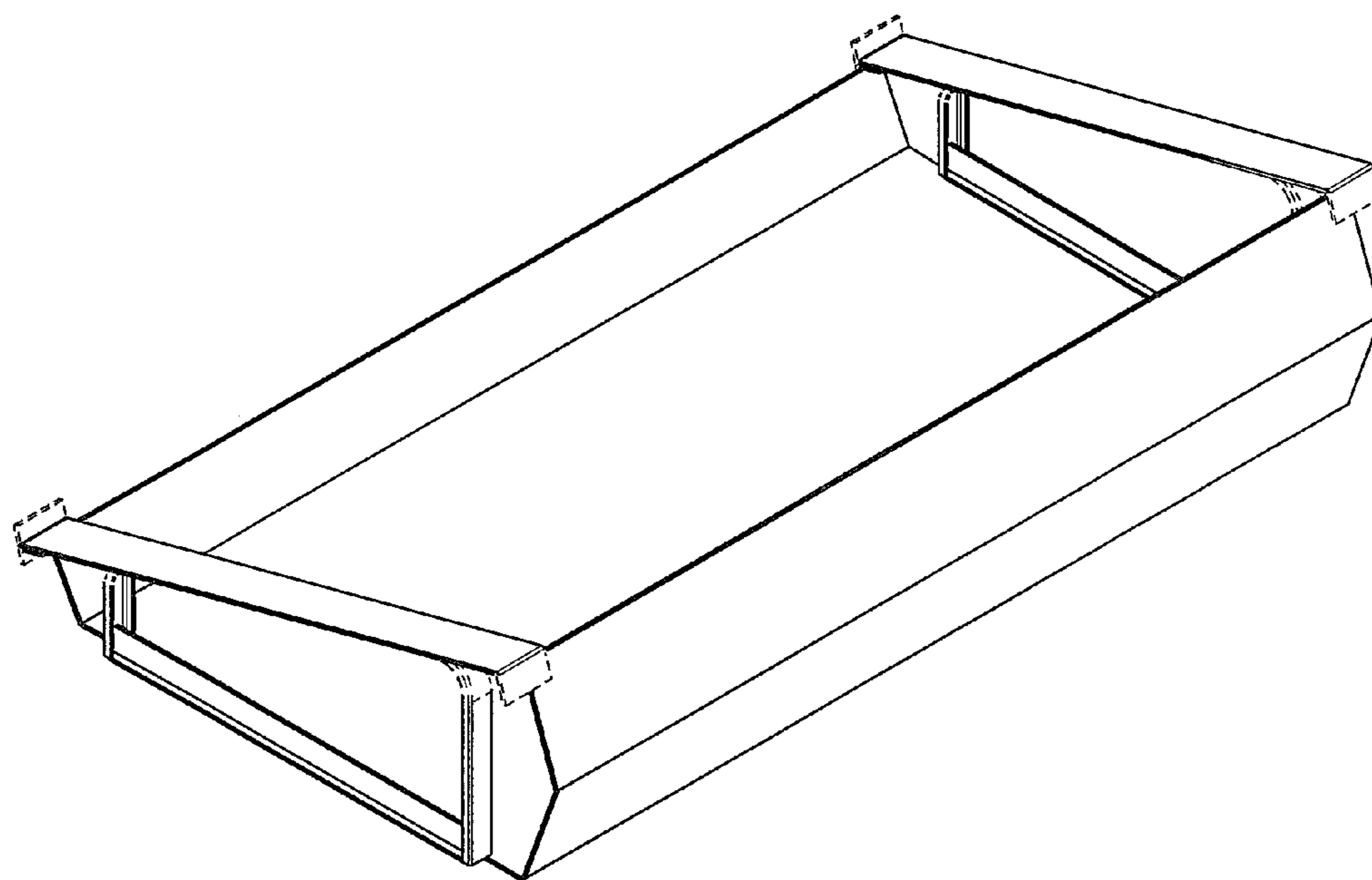


FIG. 2

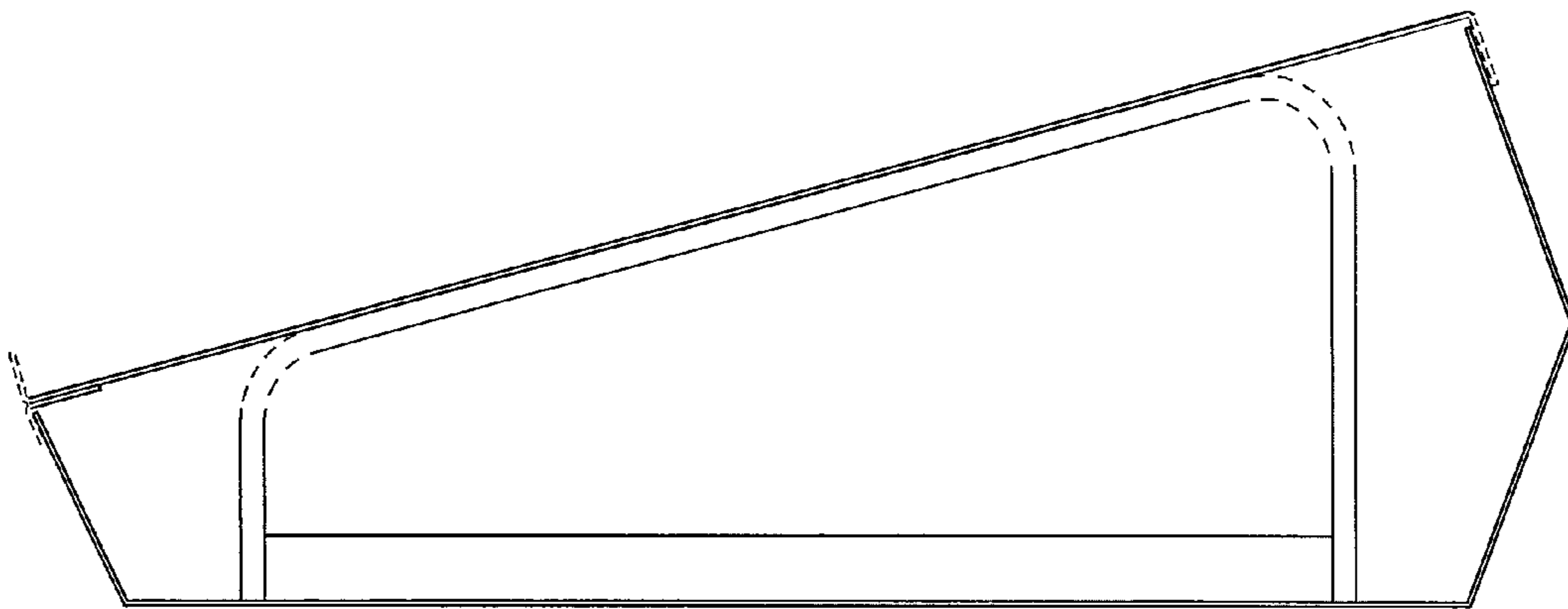


FIG. 3

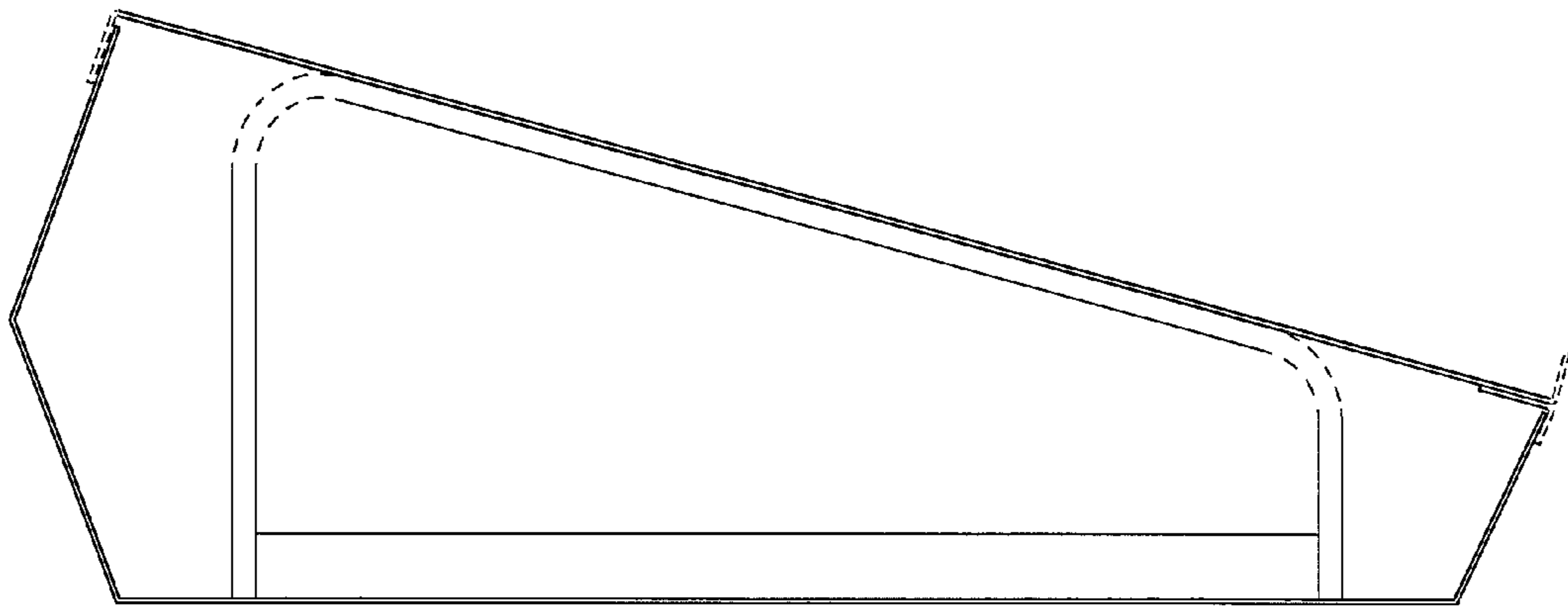


FIG. 4

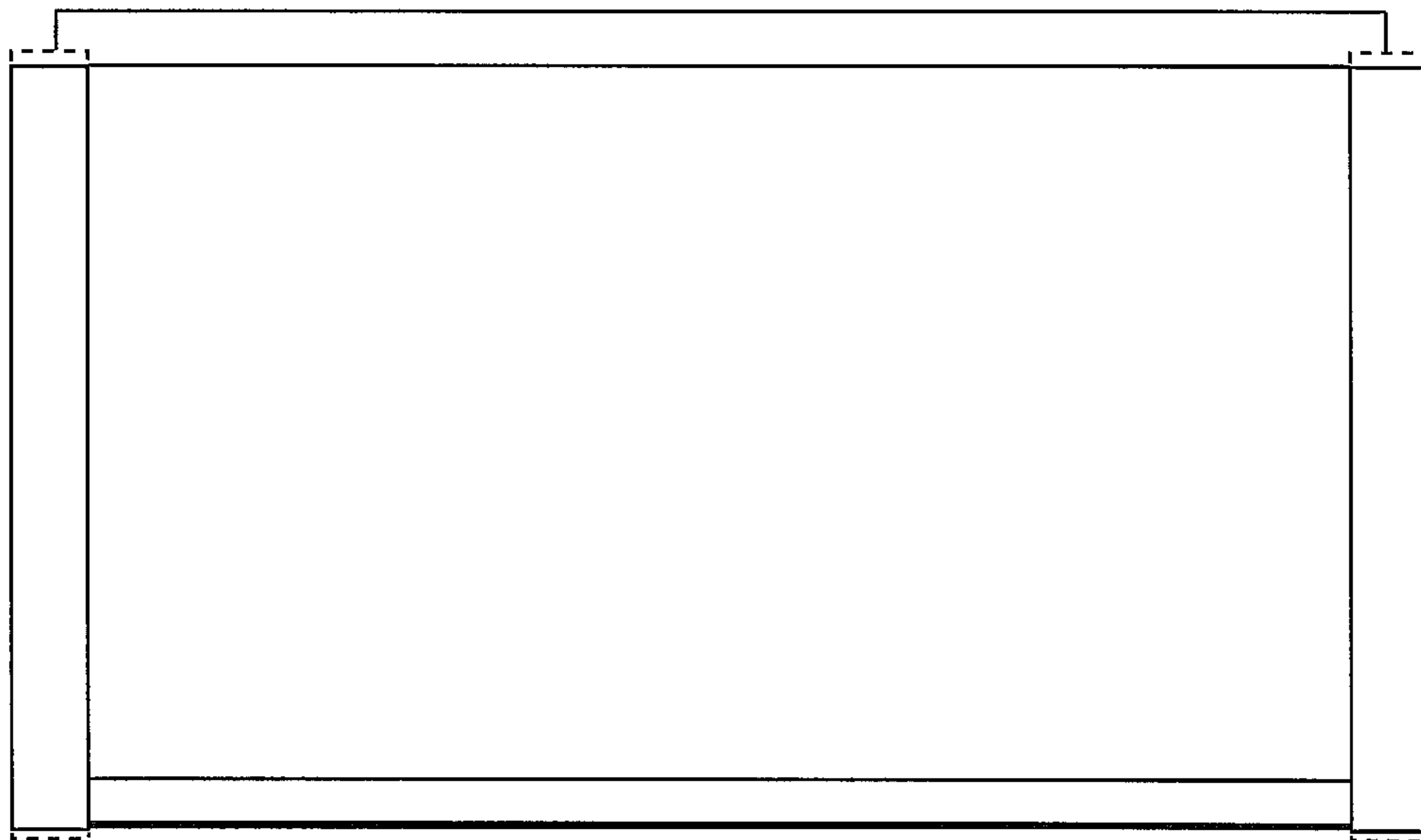


FIG. 5

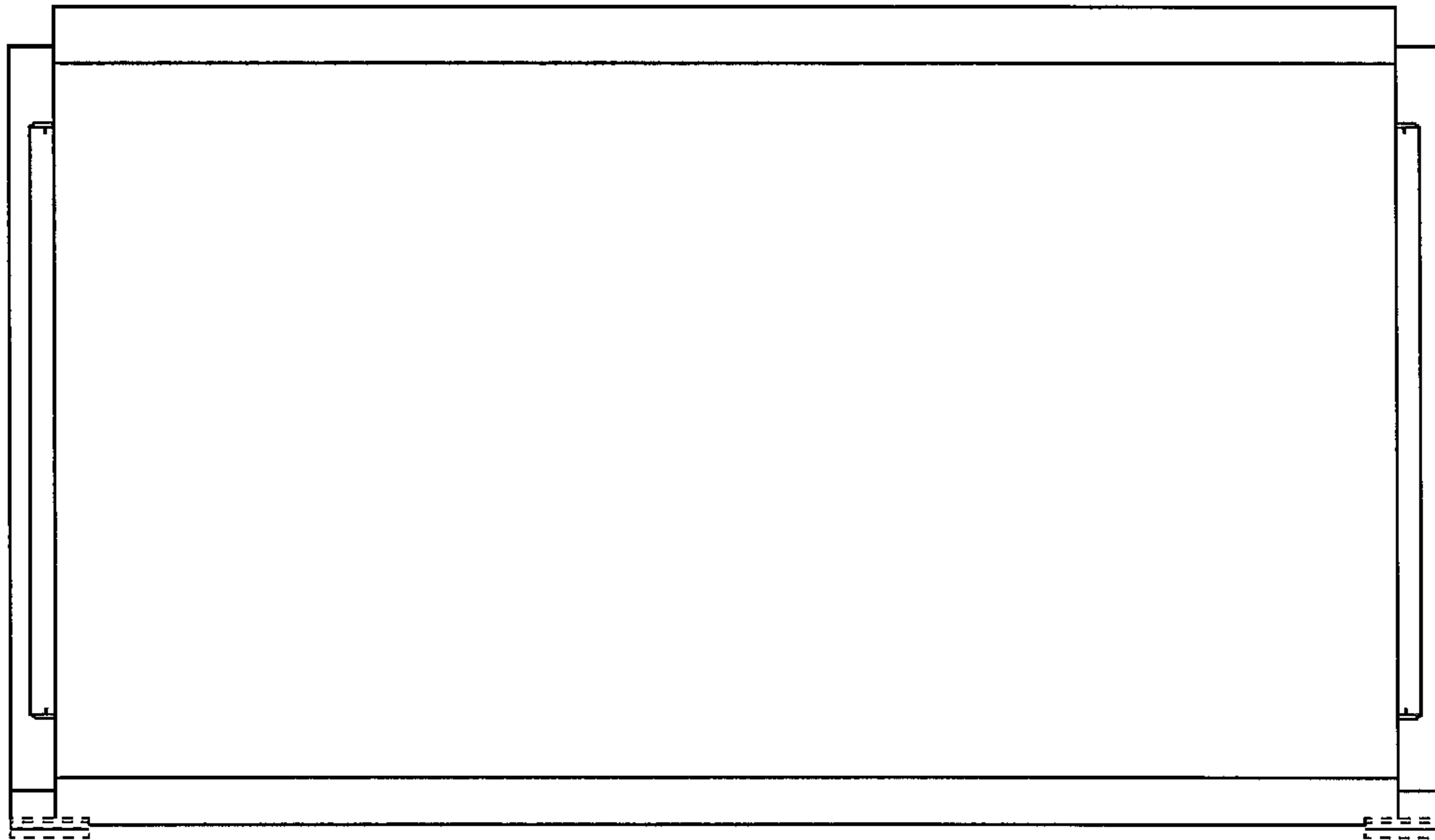


FIG. 6

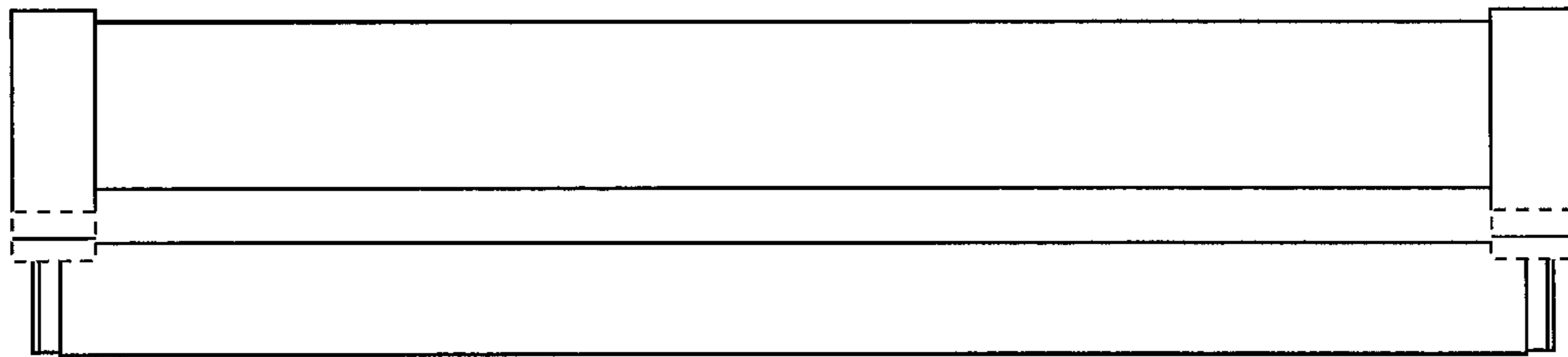


FIG. 7

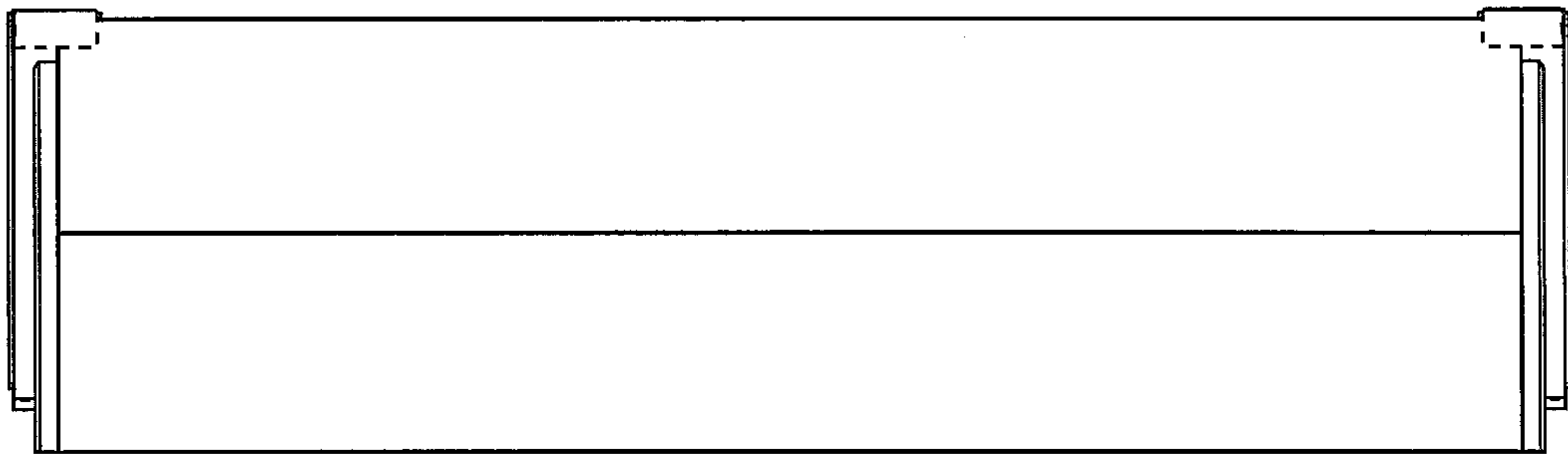


FIG. 8

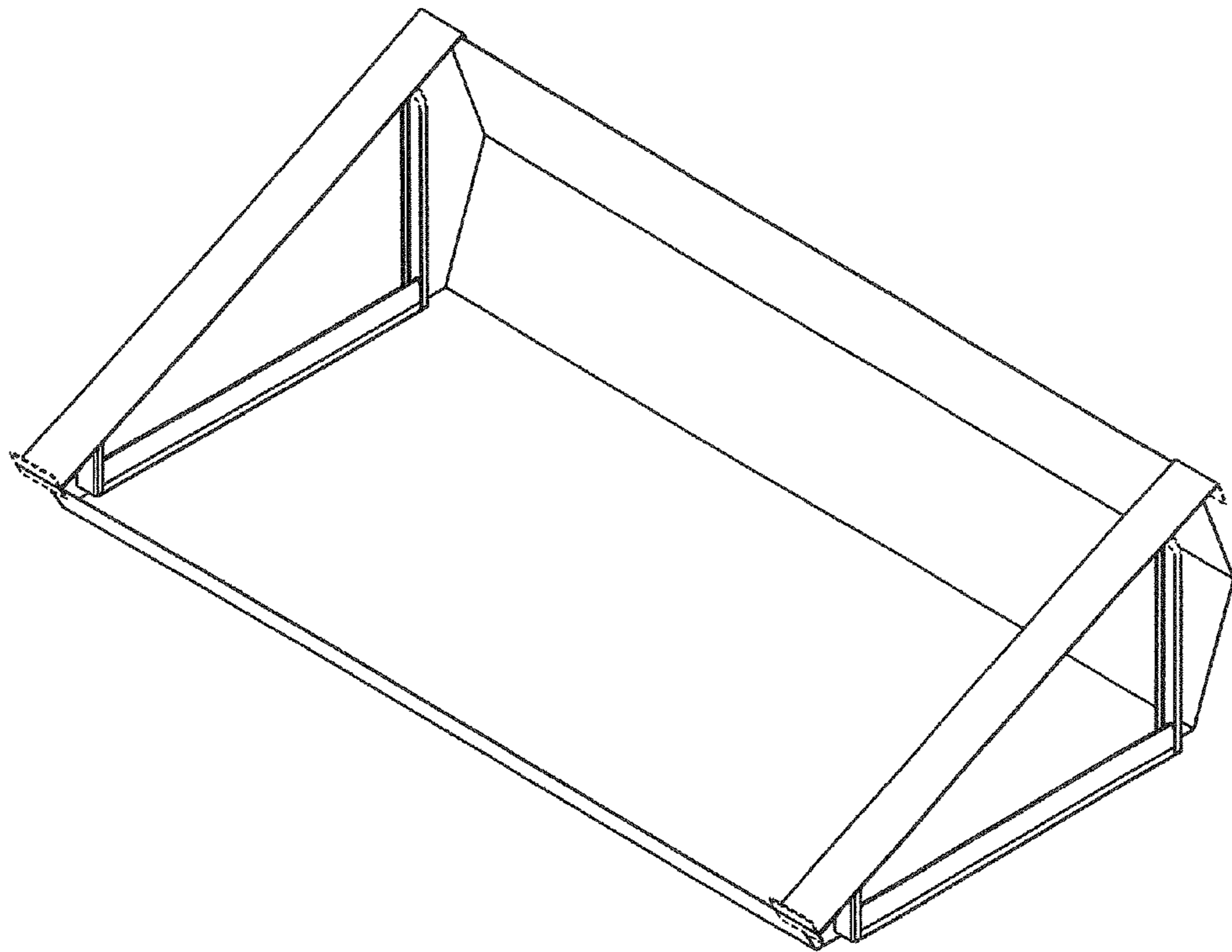


FIG. 9

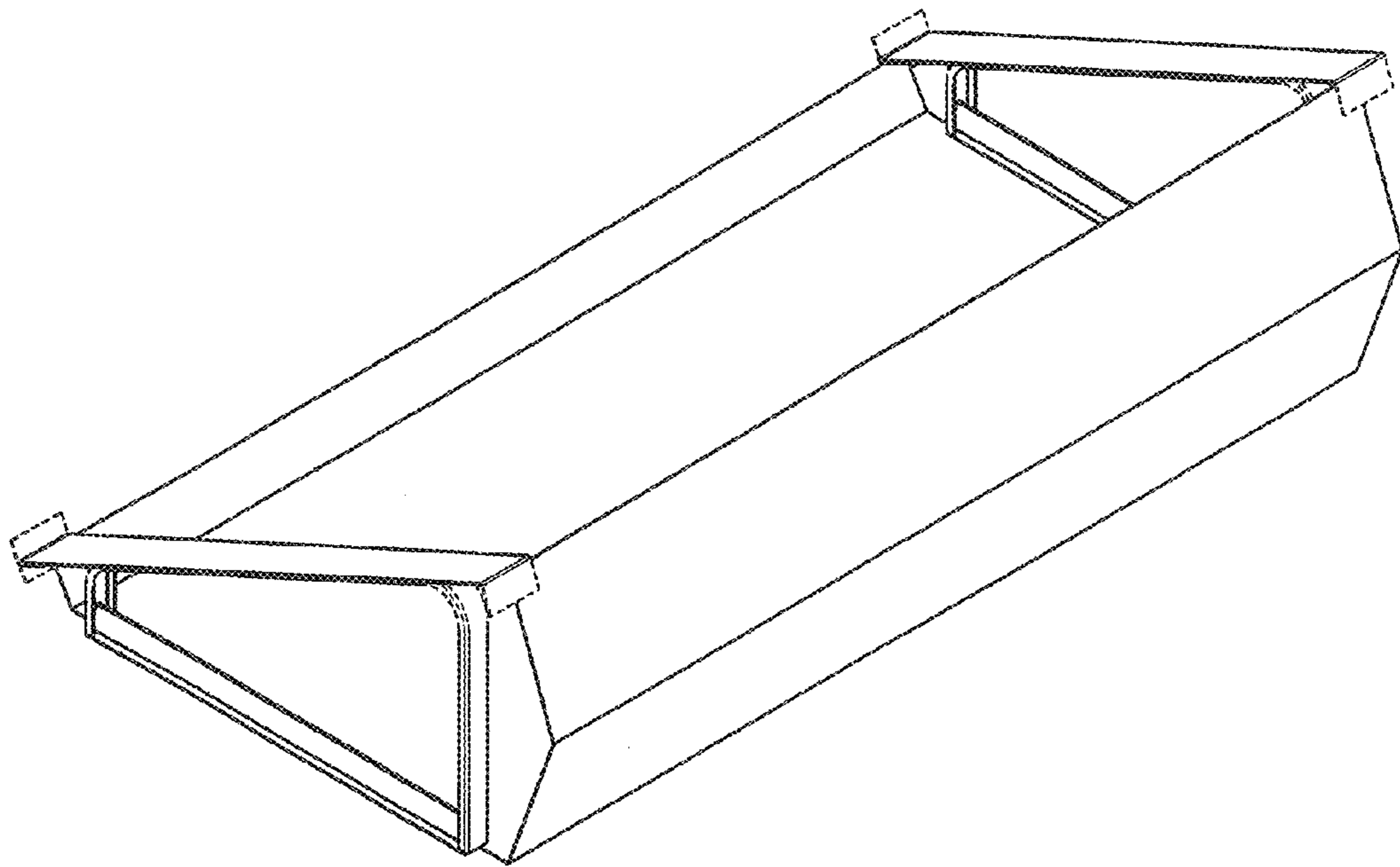


FIG. 10

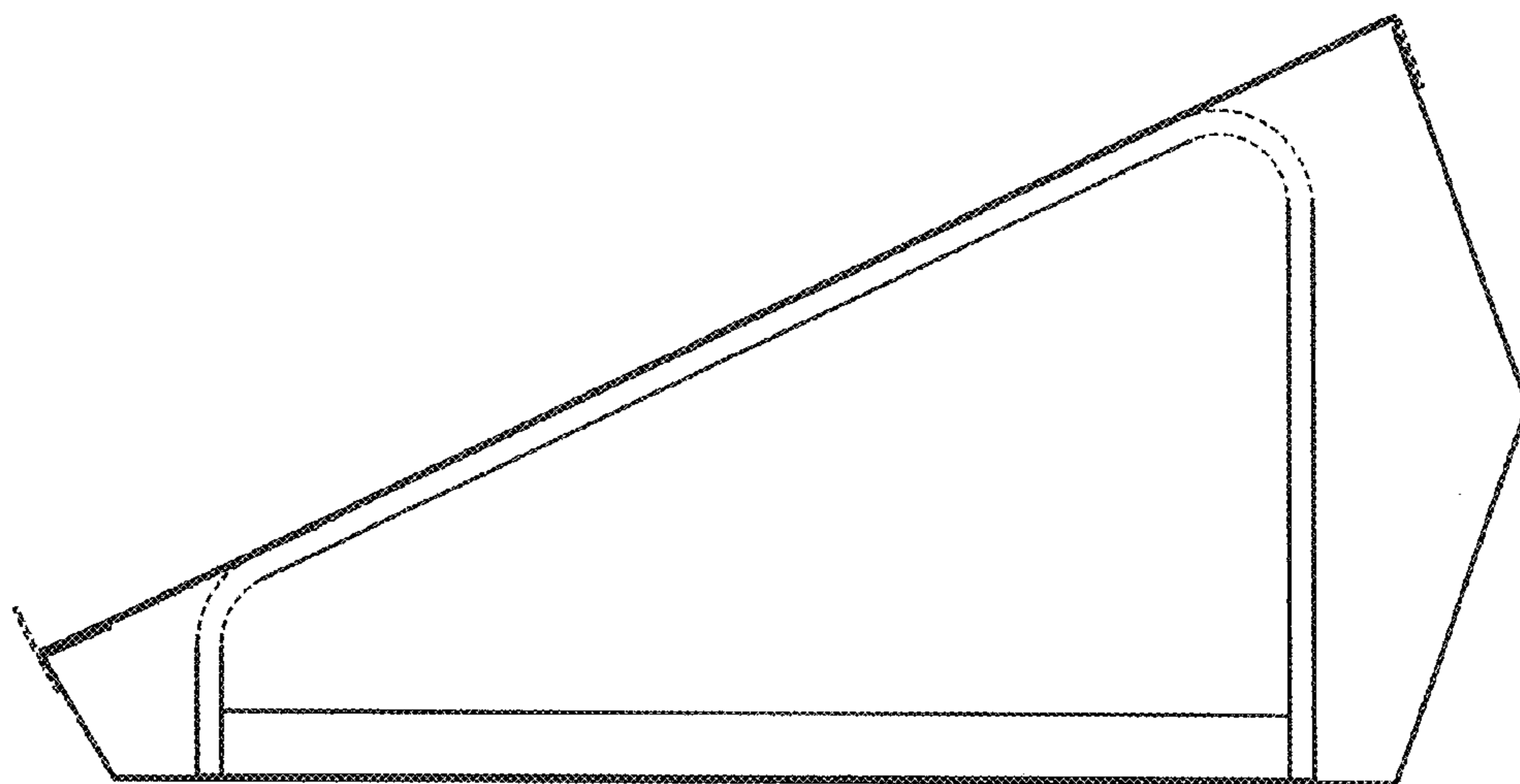


FIG. 11

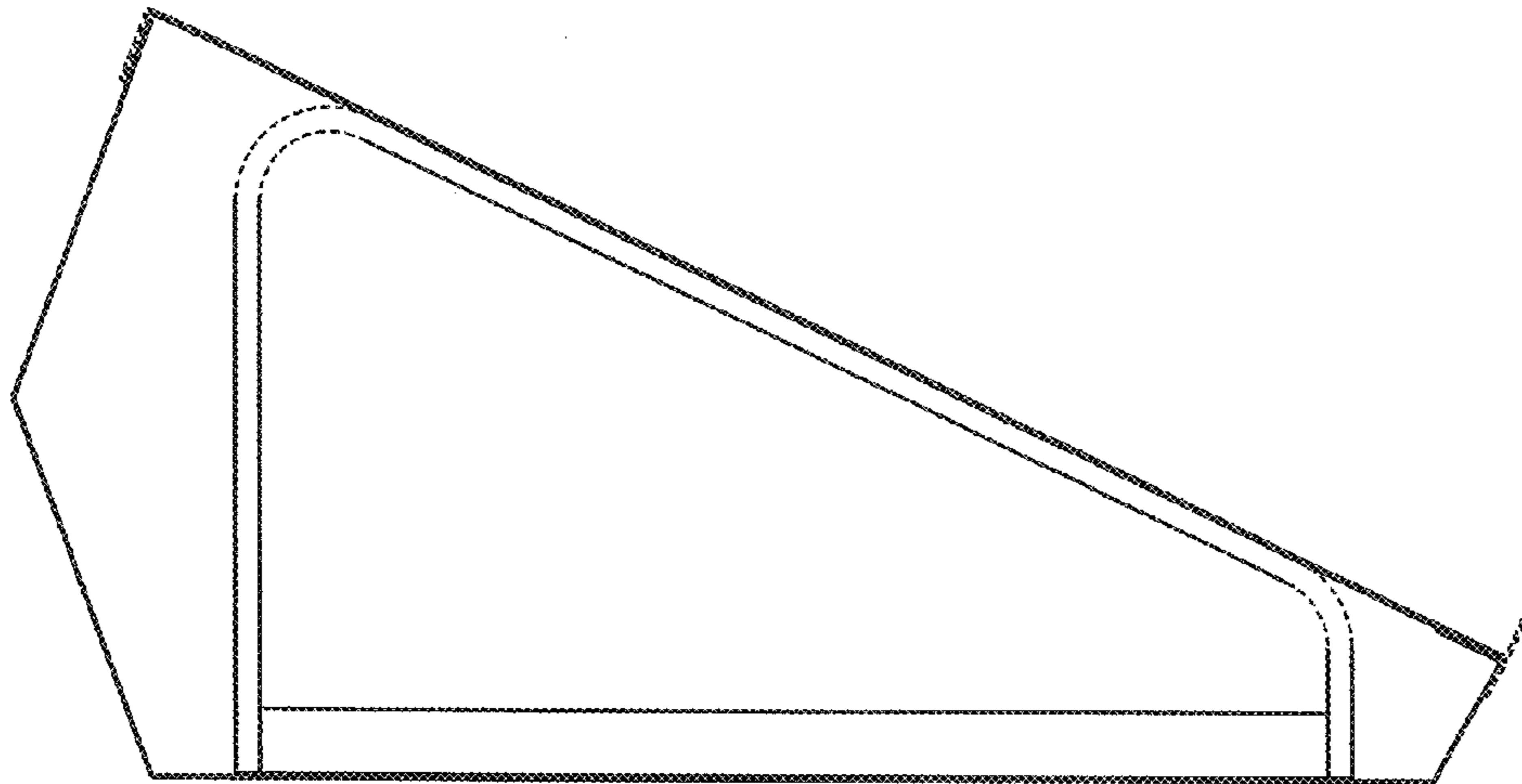


FIG. 12

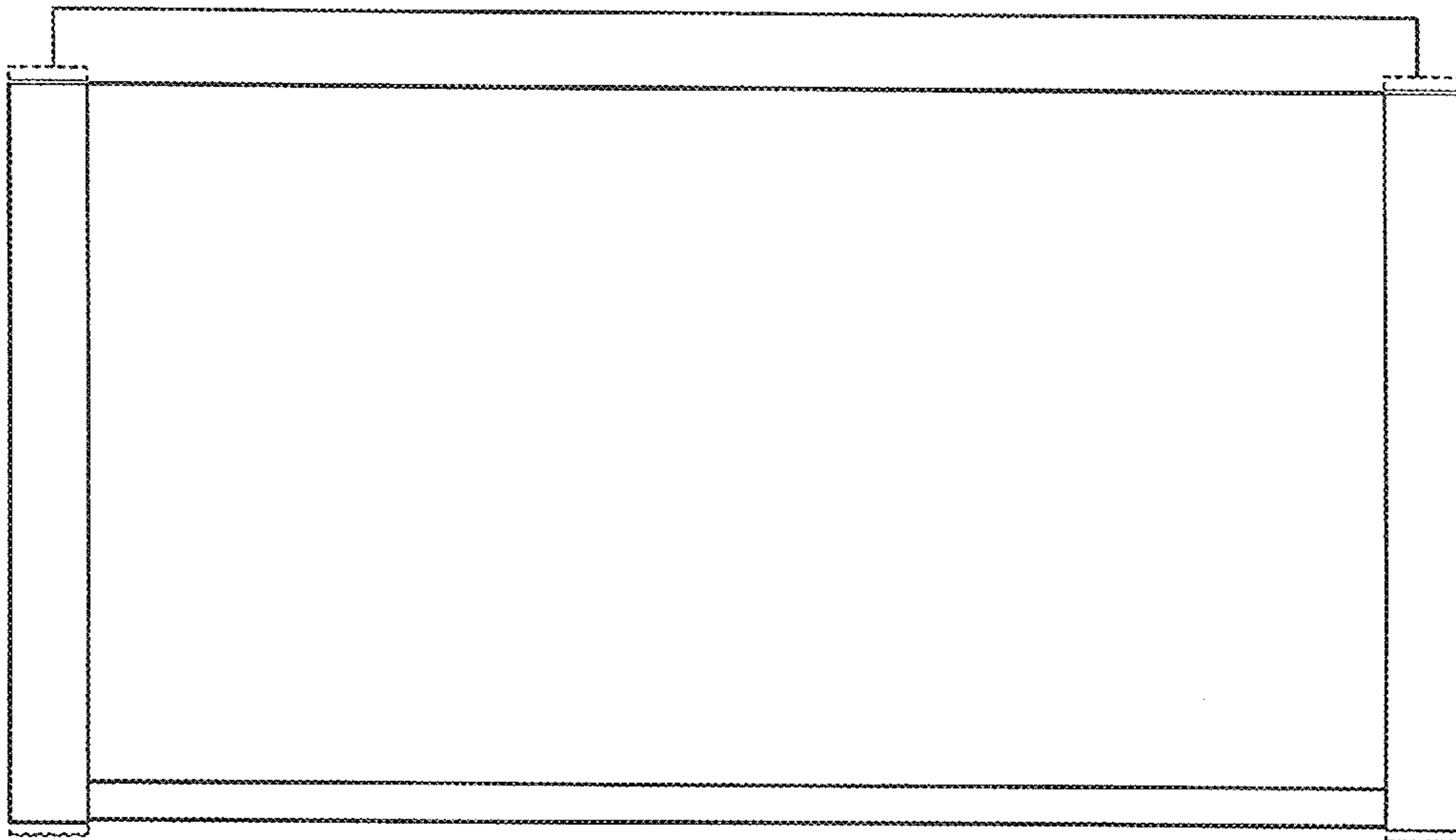


FIG. 13

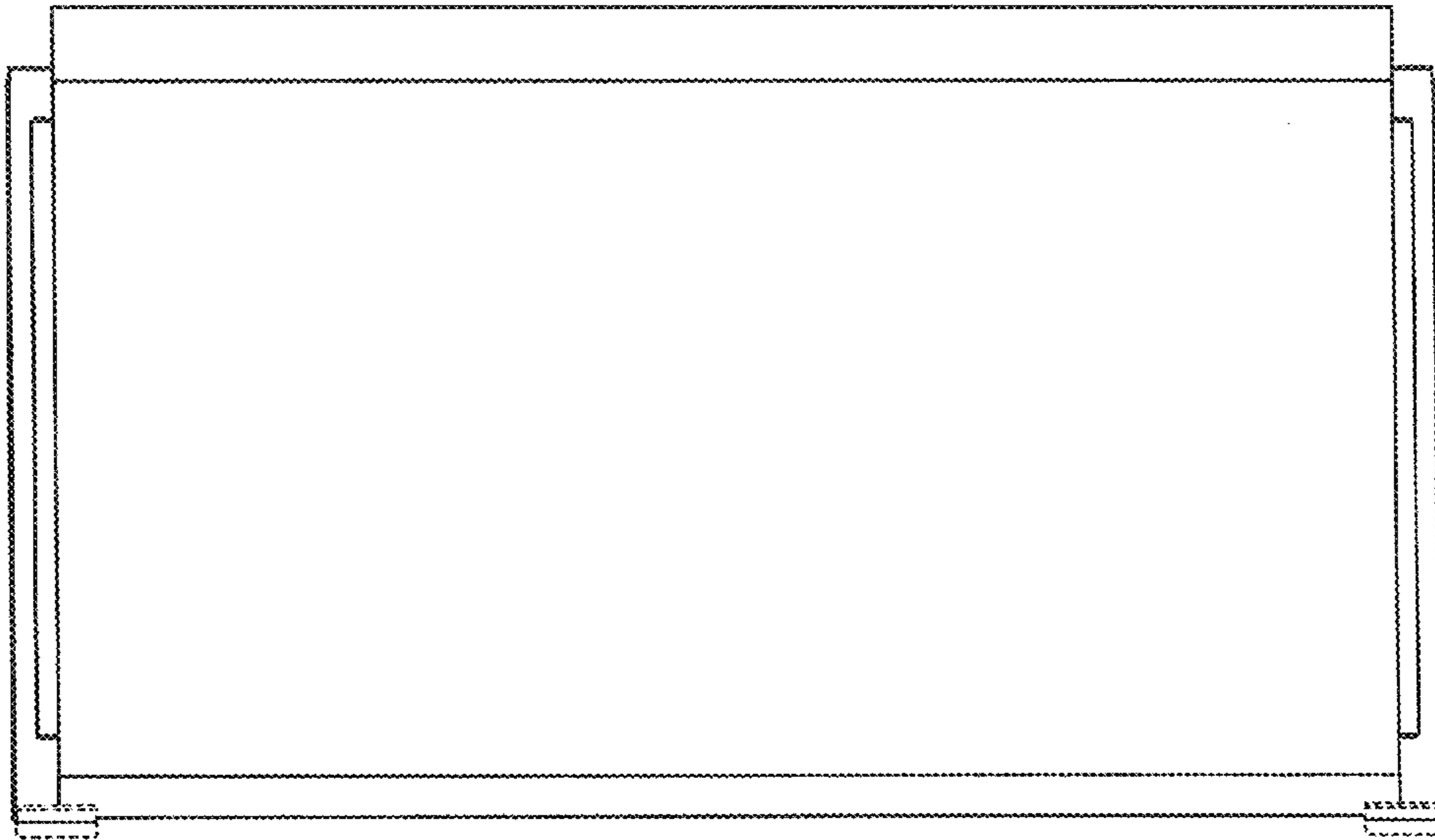


FIG. 14

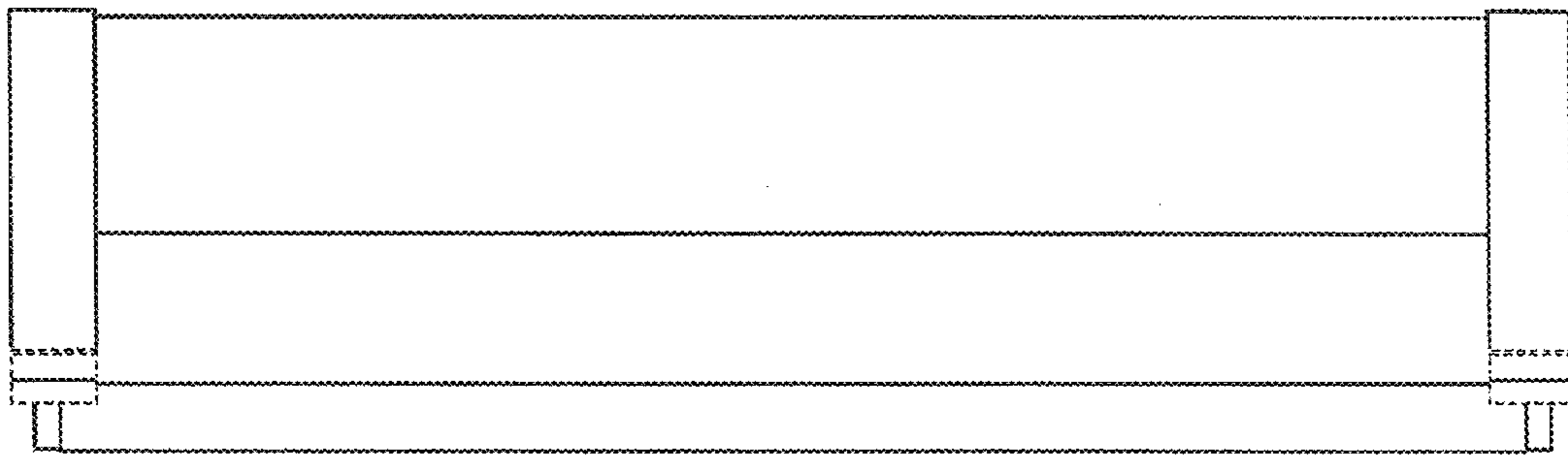


FIG. 15

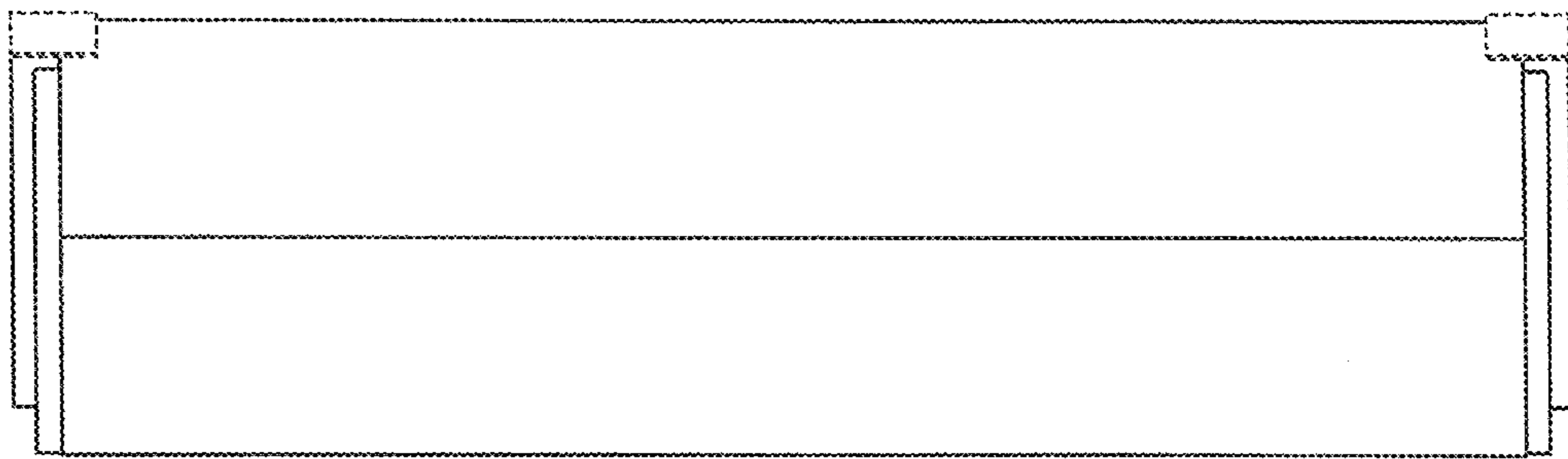


FIG. 16