



US00D746765S

(12) **United States Design Patent**  
**Hutz et al.**

(10) **Patent No.:** **US D746,765 S**  
(45) **Date of Patent:** **\*\* Jan. 5, 2016**

(54) **TIRE TREAD**

(71) Applicants: **Compagnie Generale Des Etablissements Michelin**, Clermont-Ferrand (FR); **Michelin Recherche et Technique S.A.**, Granges-Paccot (CH)

(72) Inventors: **John A. Hutz**, Greer, SC (US); **Scott Cothran**, Mauldin, SC (US); **Lee Montgomery**, Piedmont, SC (US); **David Pressley**, Taylors, SC (US); **Brad Weaver**, Greenville, SC (US); **Kai Chun Yang**, Mauldin, SC (US)

(73) Assignees: **MICHELIN RECHERCHE et TECHNIQUE S.A.**, Granges-Paccot (CH); **COMPAGNIE GENERALE DES ETABLISSEMENTS MICHELIN**, Clermont-Ferrand (FR)

(\*\*) Term: **14 Years**

(21) Appl. No.: **29/485,139**

(22) Filed: **Mar. 17, 2014**

(51) **LOC (10) Cl.** ..... **12-15**

(52) **U.S. Cl.**  
USPC ..... **D12/588**

(58) **Field of Classification Search**  
USPC ..... D12/568-603; 152/209.1-209.9  
CPC ..... B60C 1/00; B60C 11/00; B60C 11/03  
See application file for complete search history.

(56) **References Cited**

U.S. PATENT DOCUMENTS

D380,995 S	7/1997	Grosskopf	
D388,370 S *	12/1997	Young et al.	D12/562
D390,170 S	2/1998	Stone et al.	
D390,510 S	2/1998	Stone et al.	
D414,446 S	9/1999	Kemp, Jr.	
D414,725 S	10/1999	Kemp, Jr.	

D461,446 S	8/2002	Janjareh et al.	
D472,204 S	3/2003	Kemp, Jr. et al.	
D481,992 S *	11/2003	Harden et al.	D12/595
D483,320 S	12/2003	Janajreh et al.	
D484,456 S	12/2003	Irimiya	
D500,287 S *	12/2004	Gojo	D12/586
D511,741 S *	11/2005	Cazin-Bourguignon et al.	D12/601
D537,773 S	3/2007	Motta et al.	
D555,078 S	11/2007	Radulescu et al.	
D583,308 S *	12/2008	Ludwig et al.	D12/588
D584,679 S *	1/2009	Radulescu	D12/553
D585,816 S	2/2009	Campana	

(Continued)

OTHER PUBLICATIONS

XTE, Michelin Tire, www.michelinman.com, at least as early as Dec. 3, 2013, 2 pages.

(Continued)

*Primary Examiner* — George D Kirschbaum

*Assistant Examiner* — Natasha Vujcic

(74) *Attorney, Agent, or Firm* — Dority & Manning, P.A.

(57) **CLAIM**

The ornamental design for a tire tread, as shown and described.

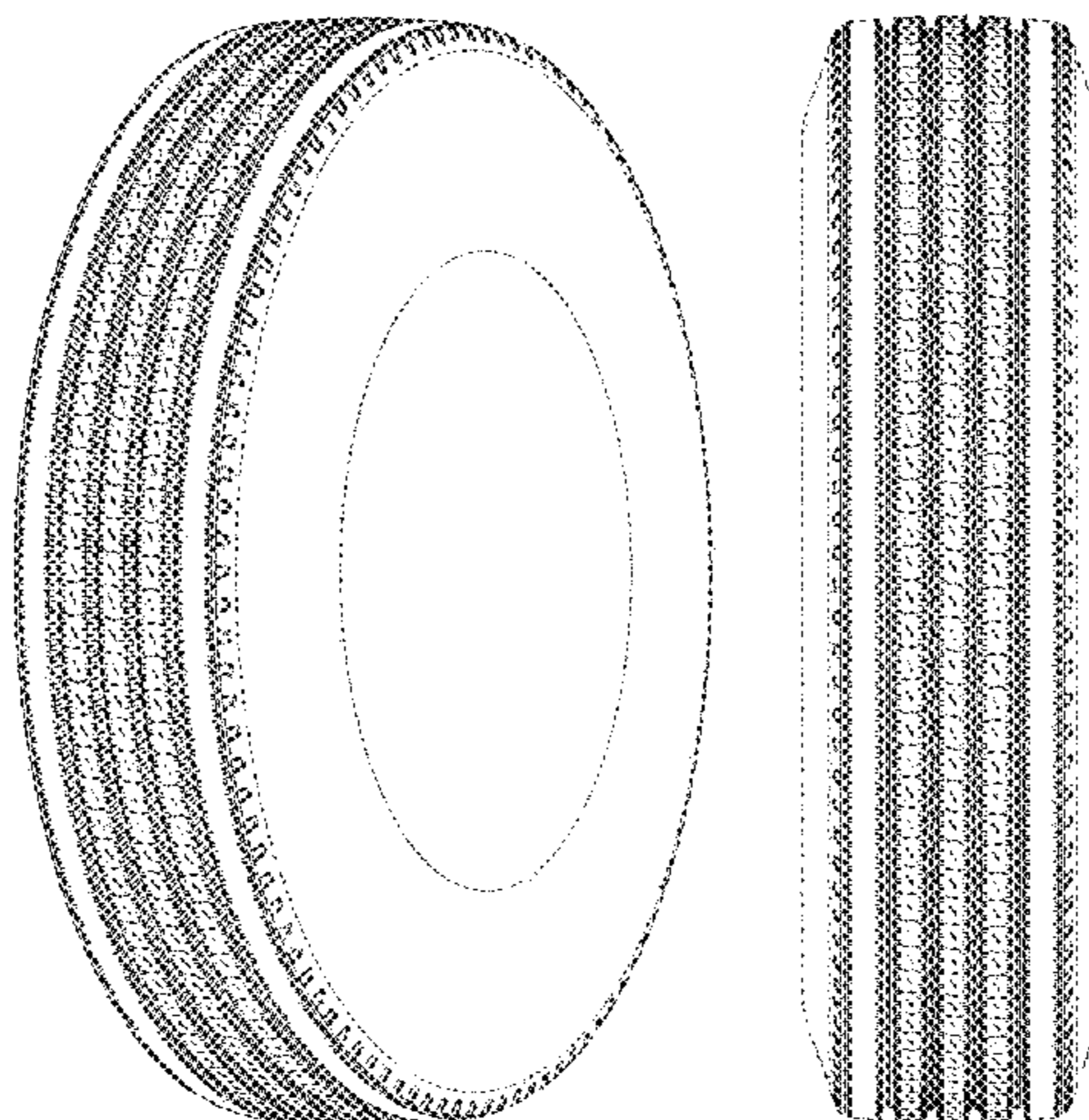
**DESCRIPTION**

FIG. 1 is a perspective view of a tire tread showing our new design, it being understood that the tread pattern repeats circumferentially throughout the outer circumference and shoulder of the tire, the opposite side perspective being identical thereto;

FIG. 2 is a front elevation view thereof; and, FIG. 3 is a side elevation view of the right side thereof, the left side elevation being identical thereto.

In the drawings, the broken lines defining the sidewall, inner bead and the peripheral boundary between the claimed tire tread and the unclaimed sidewall depict environmental subject matter that forms no part of the claimed design.

**1 Claim, 3 Drawing Sheets**



(56)

**References Cited**

**OTHER PUBLICATIONS**

U.S. PATENT DOCUMENTS

D606,485	S	12/2009	Williamson et al.	
D610,076	S	* 2/2010	Tobino .....	D12/600
D610,529	S	* 2/2010	Tobino et al. ....	D12/601
D618,162	S	6/2010	Mayni et al.	
D657,302	S	* 4/2012	Durand .....	D12/588
D668,206	S	10/2012	Moore et al.	
D670,641	S	11/2012	Fleuriau	
2008/0099115	A1	5/2008	Ohara	

XRV, Michelin Tire, [www.michelinman.com](http://www.michelinman.com), at least as early as Dec. 3, 2013, 2 pages.

XZE, Michelin Tire, [www.michelinman.com](http://www.michelinman.com), at least as early as Dec. 3, 2013, 3 pages.

XZA3 + Evertread, Michelin Tire, [www.michelinman.com](http://www.michelinman.com), at least as early as Dec. 3, 2013, 2 pages.

\* cited by examiner

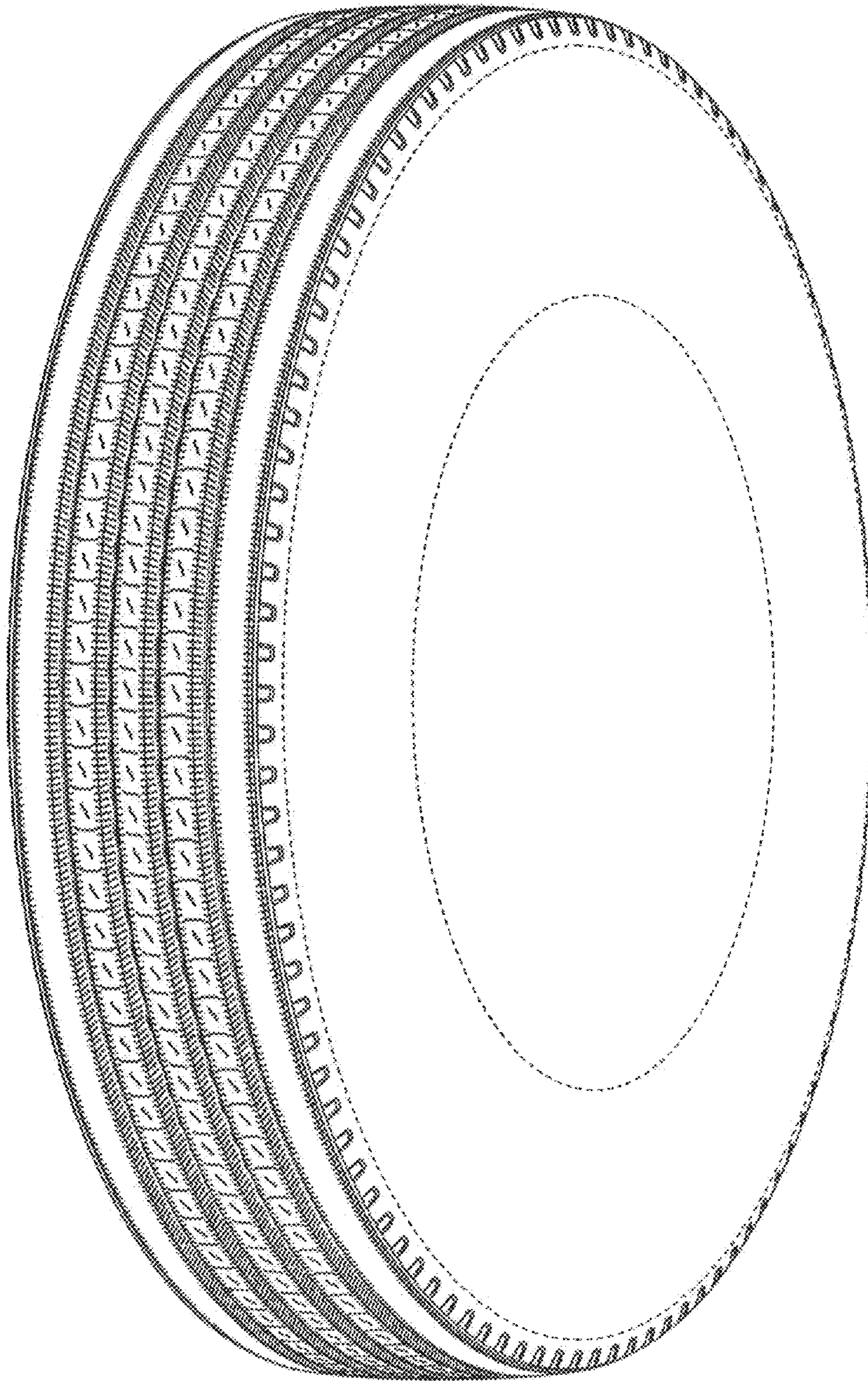


Fig. 1

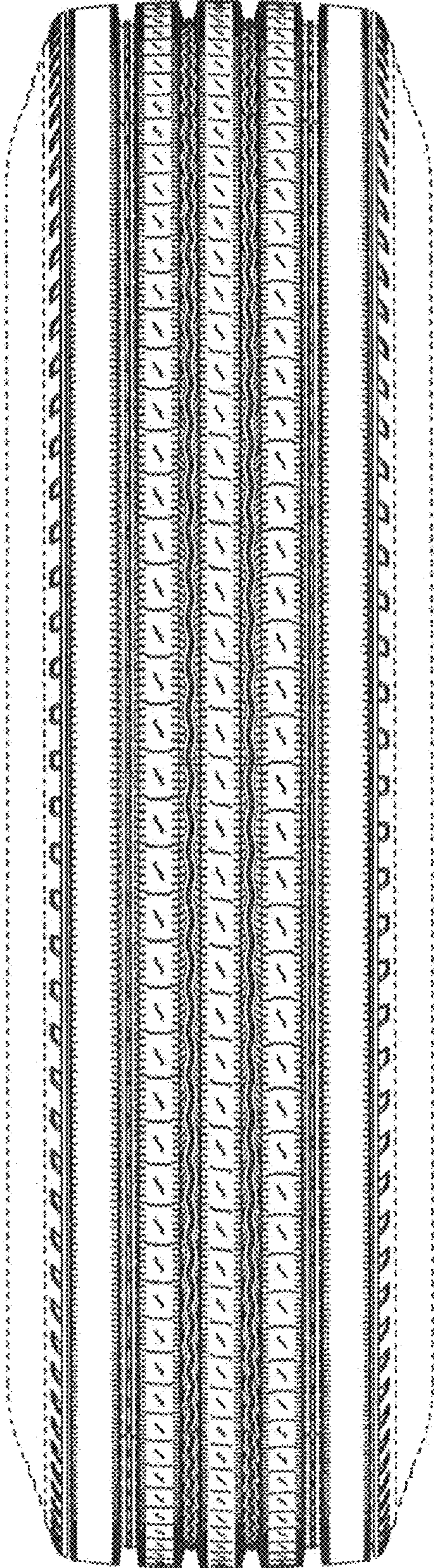


Fig. 2

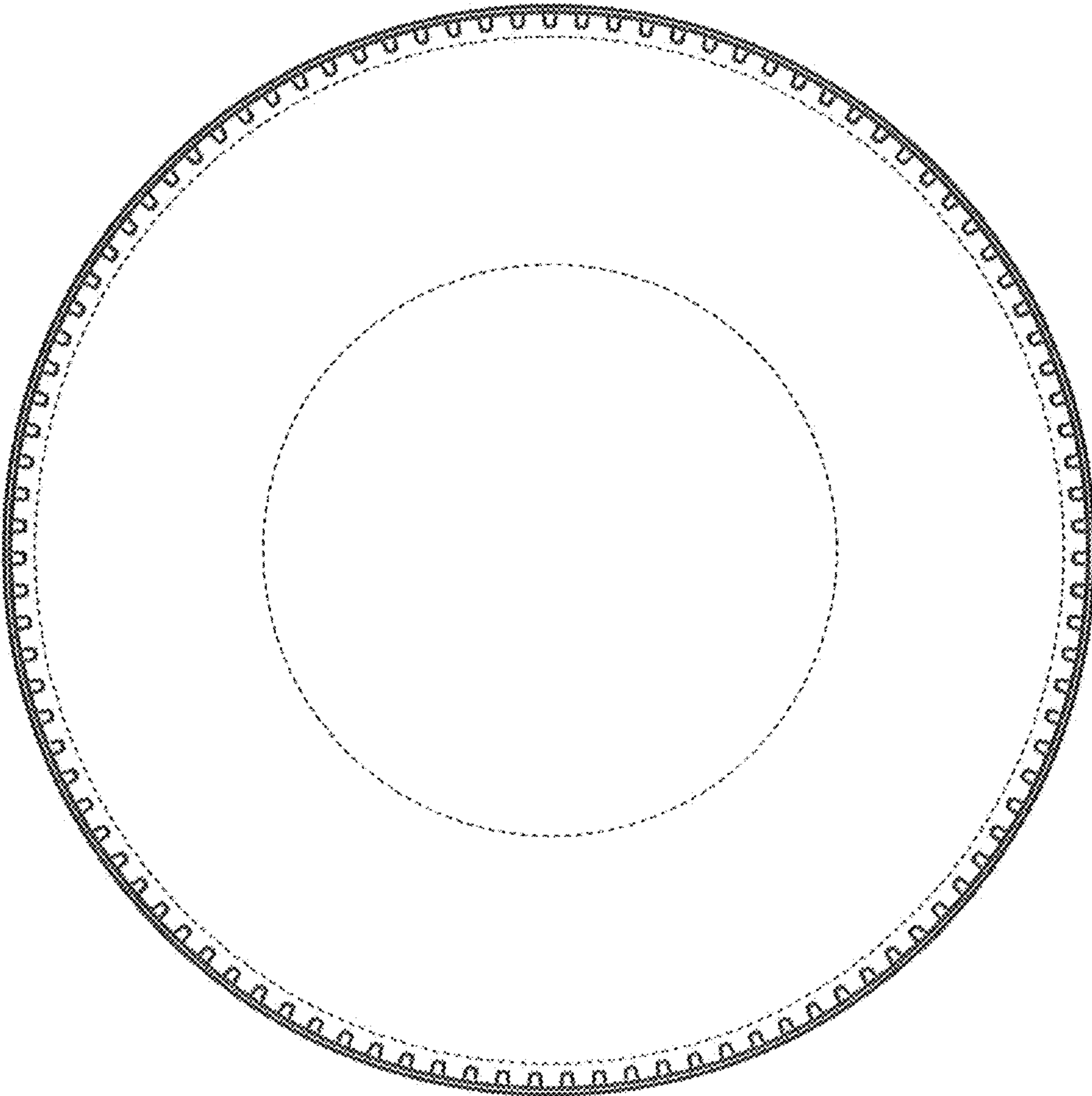


Fig. 3