



US00D746760S

(12) **United States Design Patent**  
**Arbour et al.**

(10) **Patent No.:** **US D746,760 S**  
(45) **Date of Patent:** **\*\* Jan. 5, 2016**

- (54) **BICYCLE BASKET**
- (71) Applicant: **TECHNOLOGIES BEWEGEN INC.**,  
St-Georges, Beauce (CA)
- (72) Inventors: **Dominic Arbour**, Montreal (CA);  
**Michel Dallaire**, Montreal (CA); **Colin Cote**, Montreal (CA)
- (73) Assignee: **TECHNOLOGIES BEWEGEN INC.**,  
Saint-Georges (CA)

- 6,081,205 A 6/2000 Williams et al.
- 6,249,744 B1 6/2001 Morita
- 6,371,230 B1 4/2002 Ciarla et al.
- 6,384,717 B1 5/2002 DeVolpi
- 6,978,162 B2 12/2005 Russell et al.
- 7,034,665 B2 4/2006 Kojika
- 7,281,399 B2 10/2007 Gagosz
- 7,468,667 B2 12/2008 Moffett
- 7,471,191 B2 12/2008 Le Gars et al.
- D593,006 S 5/2009 Dallaire

(Continued)

(\*\*) Term: **14 Years**

(21) Appl. No.: **29/499,563**

(22) Filed: **Aug. 15, 2014**

(51) **LOC (10) Cl.** ..... **12-11**

(52) **U.S. Cl.**  
USPC ..... **D12/407**

(58) **Field of Classification Search**  
USPC ..... D12/111, 406, 407; D3/306-309, 311,  
D3/312; D6/462-465, 537, 566; 220/485,  
220/491, 495; 224/42.11, 412, 419, 420,  
224/425, 434; 280/202, 288.4  
CPC ..... B62J 9/00; B62J 9/001  
See application file for complete search history.

(56) **References Cited**

**U.S. PATENT DOCUMENTS**

- 2,143,065 A \* 1/1939 Glenny ..... 224/420
- 2,576,111 A \* 11/1951 Glenny et al. .... 224/434
- 2,583,550 A \* 1/1952 Lucian et al. .... 224/424
- 3,695,496 A \* 10/1972 Humlong ..... 224/420
- 3,995,803 A \* 12/1976 Uitz ..... 224/432
- 4,730,758 A \* 3/1988 McMurtrey ..... 224/417
- D361,548 S \* 8/1995 Bascom ..... D12/407
- 5,841,351 A 11/1998 Rey
- 5,917,407 A 6/1999 Squire et al.
- 6,006,850 A 12/1999 Yu

**FOREIGN PATENT DOCUMENTS**

- EP 2639144 9/2013
- FR 2764261 12/1998

*Primary Examiner* — Philip S Hyder

*Assistant Examiner* — Darlington Ly

(74) *Attorney, Agent, or Firm* — Norton Rose Fulbright  
Canada LLP

(57) **CLAIM**

The ornamental design for a bicycle basket, as shown and described.

**DESCRIPTION**

FIG. 1 is a right rear perspective view of a bicycle basket in accordance with our new design.

FIG. 2 is a left front perspective view of the design of FIG. 1.

FIG. 3 is a top plan view of the design of FIG. 1.

FIG. 4 is a front elevational view of the design of FIG. 1.

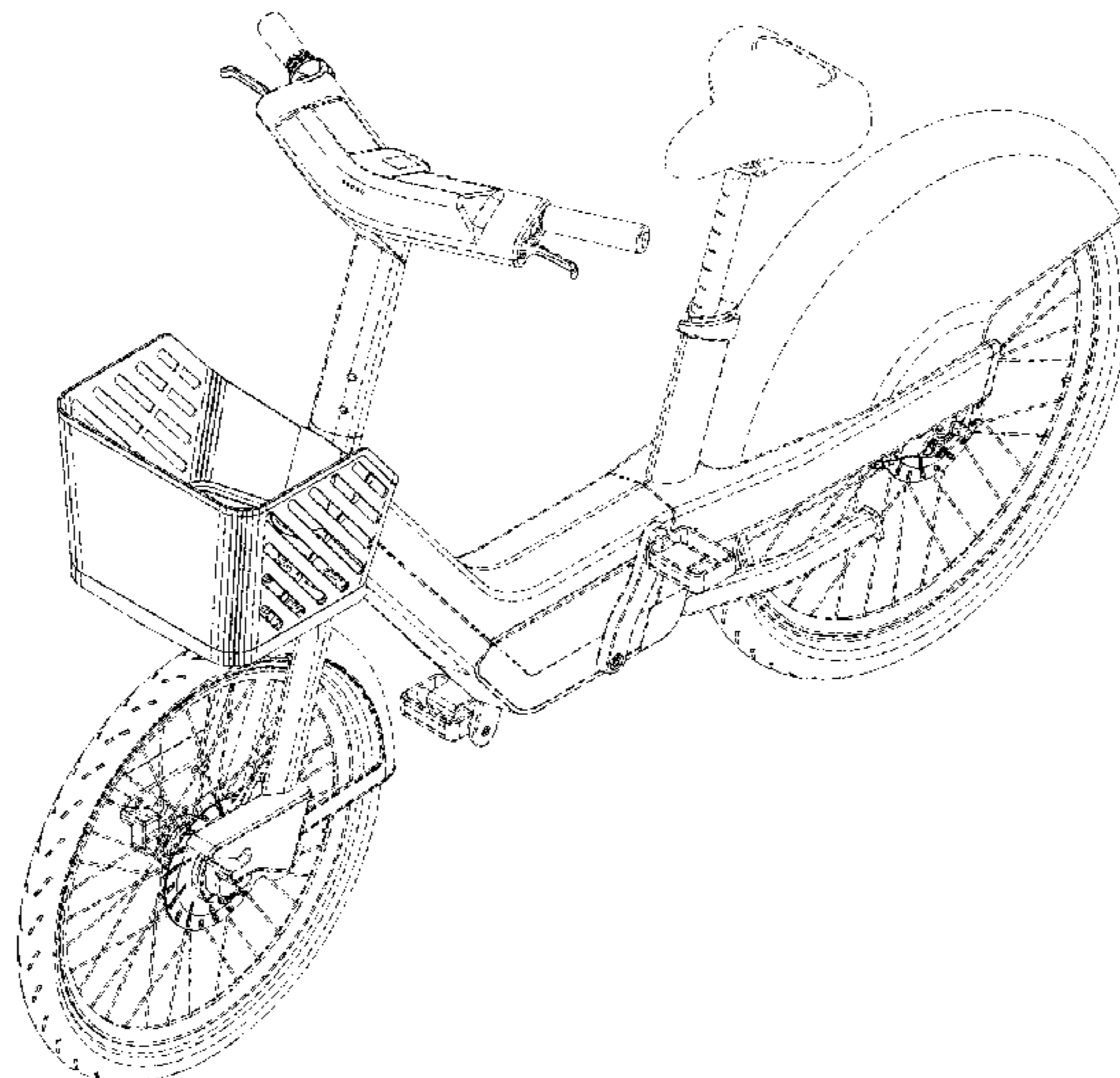
FIG. 5 is a rear elevational view of the design of FIG. 1.

FIG. 6 is a left side elevational view of the design of FIG. 1; and,

FIG. 7 is a right side elevational view of the design of FIG. 1.

The broken line showing a bicycle is for the purpose of illustrating environmental structure and forms no part of the claimed design.

**1 Claim, 7 Drawing Sheets**



(56)

**References Cited**

U.S. PATENT DOCUMENTS

D594,787 S	6/2009	Dallaire	2007/0239478 A1	10/2007	Yui et al.
D595,618 S	7/2009	Dallaire	2007/0239627 A1	10/2007	Yui et al.
D595,646 S	7/2009	McConnell	2007/0250444 A1	10/2007	Yui et al.
D597,896 S	8/2009	Dallaire	2008/0018440 A1	1/2008	Aulbers et al.
D600,201 S	9/2009	Dallaire	2008/0027794 A1	1/2008	Le Gars et al.
7,631,885 B2	12/2009	Safarik et al.	2008/0034820 A1	2/2008	Gagosz et al.
7,726,160 B2	6/2010	Gagosz et al.	2008/0042811 A1	2/2008	Le Gars
7,729,822 B2	6/2010	Le Gars et al.	2008/0135321 A1	6/2008	Ripple et al.
D626,493 S *	11/2010	Dallaire et al. .... D12/407	2008/0174431 A1	7/2008	Rodgers
7,869,576 B1	1/2011	Rodkey et al.	2008/0297108 A1	12/2008	Le Gars
D632,617 S	2/2011	Kritzer et al.	2009/0157289 A1	6/2009	Graessley et al.
D634,249 S	3/2011	Dallaire	2009/0181826 A1	7/2009	Turner
7,898,439 B2	3/2011	Bettez et al.	2009/0201127 A1	8/2009	Stobbe et al.
7,920,054 B2	4/2011	Chen et al.	2009/0240575 A1	9/2009	Bettez et al.
7,946,432 B1	5/2011	Swanson et al.	2009/0315737 A1	12/2009	Gilmour
7,976,048 B2	7/2011	Bartolome et al.	2010/0079266 A1	4/2010	Holt
8,013,569 B2	9/2011	Hartman	2010/0117863 A1	5/2010	Dutt
8,061,499 B2	11/2011	Khairallah	2010/0228405 A1	9/2010	Morgal et al.
8,119,968 B2	2/2012	Bigolin	2010/0313614 A1	12/2010	Rzepecki
8,121,785 B2	2/2012	Swisher et al.	2011/0015814 A1	1/2011	Starr et al.
8,272,491 B2	9/2012	Khairallah	2011/0037240 A1	2/2011	Kritzer et al.
D668,216 S	10/2012	Dallaire	2011/0115193 A1	5/2011	Giroux
8,280,619 B2	10/2012	Watkins	2011/0121538 A1	5/2011	Giroux
8,319,091 B2	11/2012	Lyden	2011/0148346 A1	6/2011	Gagosz et al.
D673,902 S	1/2013	Dallaire	2011/0161141 A1	6/2011	Bettez et al.
8,364,388 B2	1/2013	Naito	2011/0226708 A1	9/2011	Mercat
8,364,389 B2	1/2013	Dorogusker et al.	2011/0307394 A1	12/2011	Rzepecki
8,375,655 B1	2/2013	Welschholz	2012/0042725 A1	2/2012	Cote et al.
8,432,270 B2	4/2013	Lee et al.	2012/0086183 A1	4/2012	Ken
8,437,873 B2	5/2013	North	2012/0109511 A1	5/2012	Swisher et al.
8,438,946 B2	5/2013	Giroux	2012/0152993 A1 *	6/2012	Chen ..... 224/419
8,448,971 B2	5/2013	Giroux	2012/0196631 A1	8/2012	Fajstrup Axelsen
8,504,236 B2	8/2013	Guo et al.	2012/0239248 A1	9/2012	Bobbitt
8,508,333 B2	8/2013	Kanof	2012/0313568 A1	12/2012	Paluszek et al.
8,517,162 B2	8/2013	Khairallah	2013/0031121 A1	1/2013	Sera et al.
8,536,993 B2	9/2013	Ayotte et al.	2013/0042542 A1	2/2013	Welschholz
8,538,688 B2	9/2013	Prehofer	2013/0049674 A1	2/2013	Davis
8,577,528 B2	11/2013	Uyeki et al.	2013/0063283 A1	3/2013	Kashima
D697,310 S *	1/2014	Snider ..... D3/306	2013/0073428 A1	3/2013	Thramann
8,630,791 B2	1/2014	Yuasa	2013/0076294 A1	3/2013	Smith
8,678,205 B2	3/2014	Mercat	2013/0076295 A1	3/2013	Tsai et al.
8,706,404 B2	4/2014	Crane	2013/0080254 A1	3/2013	Thramann et al.
8,710,791 B2	4/2014	Gochenaur	2013/0127395 A1	5/2013	Santos Silva Serra Duarte
8,725,410 B2	5/2014	Ando et al.	2013/0150028 A1	6/2013	Akins et al.
8,738,212 B1	5/2014	Schieffelin	2013/0158868 A1	6/2013	Chen et al.
D720,931 S *	1/2015	Levie ..... D3/307	2013/0166998 A1	6/2013	Sutherland
D722,946 S *	2/2015	Armstrong et al. .... D12/407	2013/0173159 A1	7/2013	Trum et al.
D730,779 S *	6/2015	Arbour et al. .... D12/111	2013/0193091 A1	8/2013	Kritzer et al.
2002/0113491 A1	8/2002	Eglit et al.	2013/0255336 A1	10/2013	Dallaire
2002/0174077 A1	11/2002	Yui et al.	2013/0268448 A1	10/2013	Kanof
2003/0034873 A1	2/2003	Chase	2014/0021908 A1	1/2014	McCool et al.
2004/0203564 A1	10/2004	Ho et al.	2014/0136281 A1	5/2014	Culver et al.
2007/0239465 A1	10/2007	Le Gars	2014/0155100 A1	6/2014	Baldasare et al.
			2014/0156108 A1	6/2014	Reich

\* cited by examiner

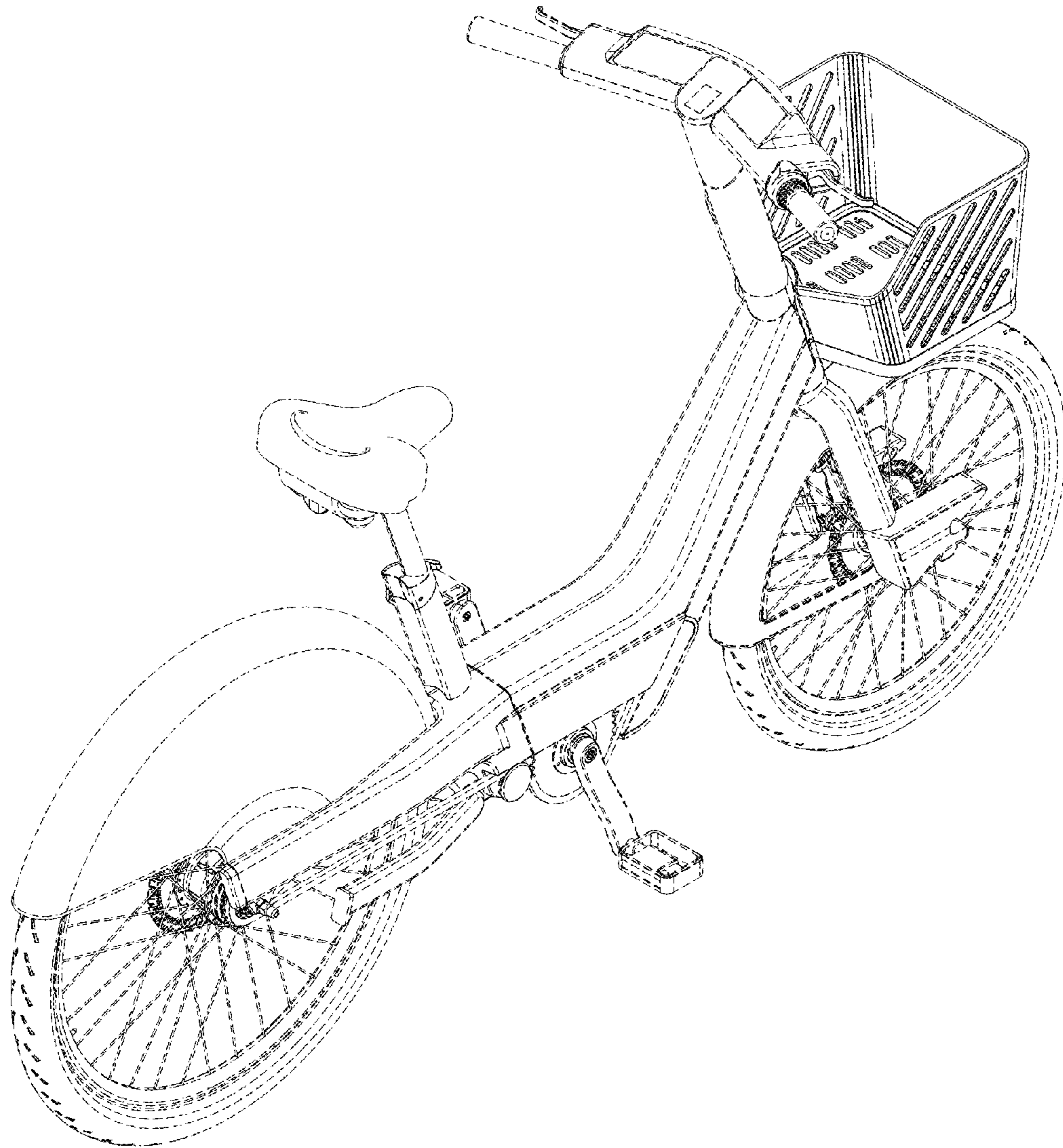


Fig-1

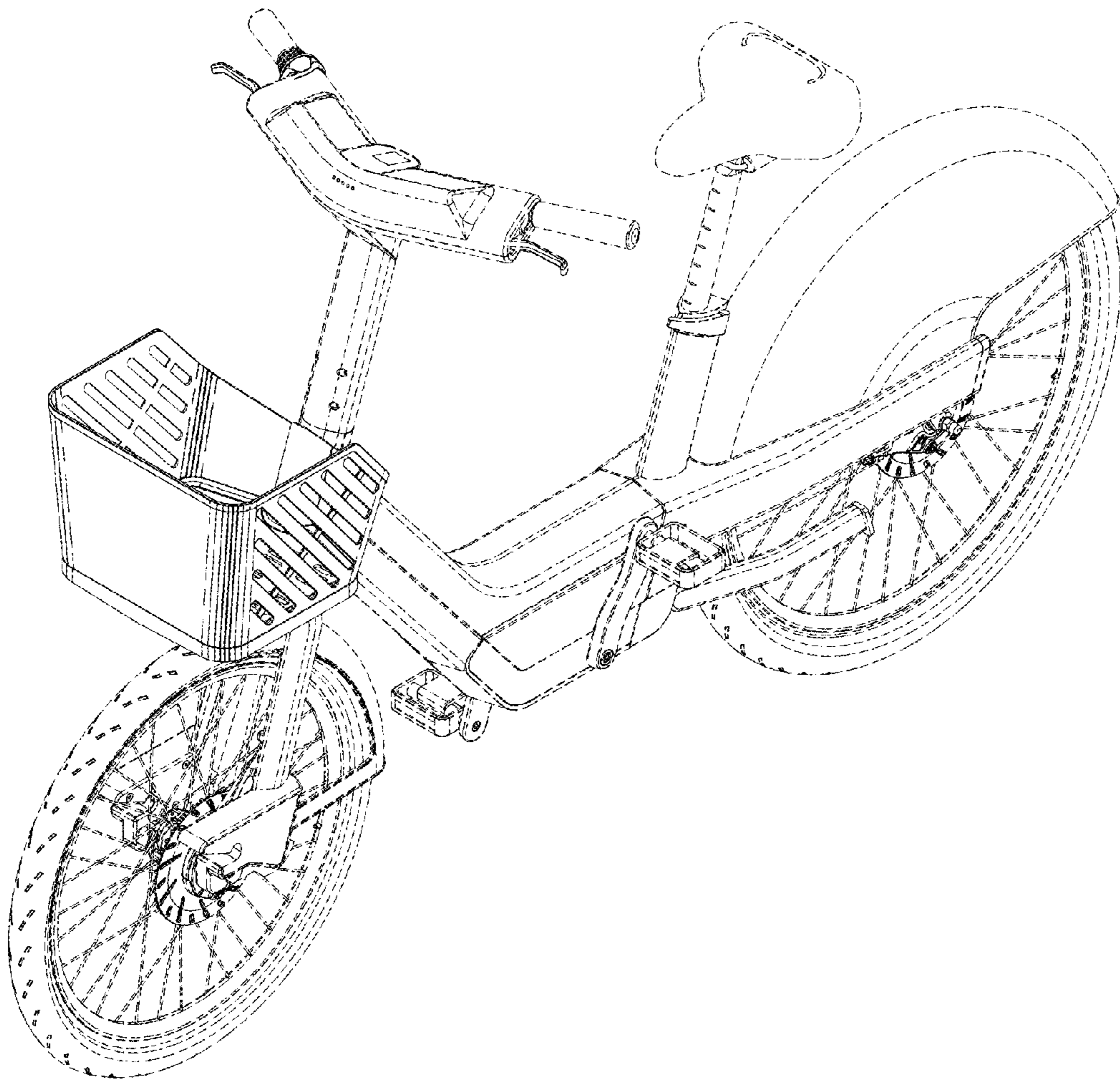


FIG-2

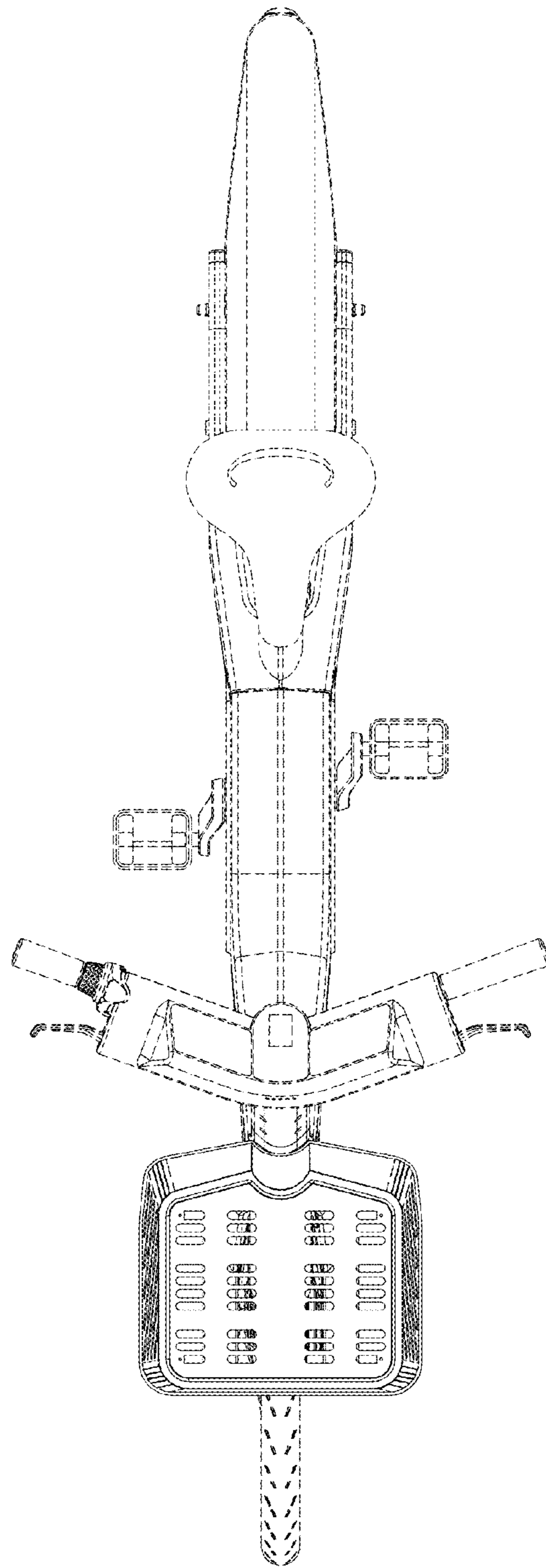


Fig-3

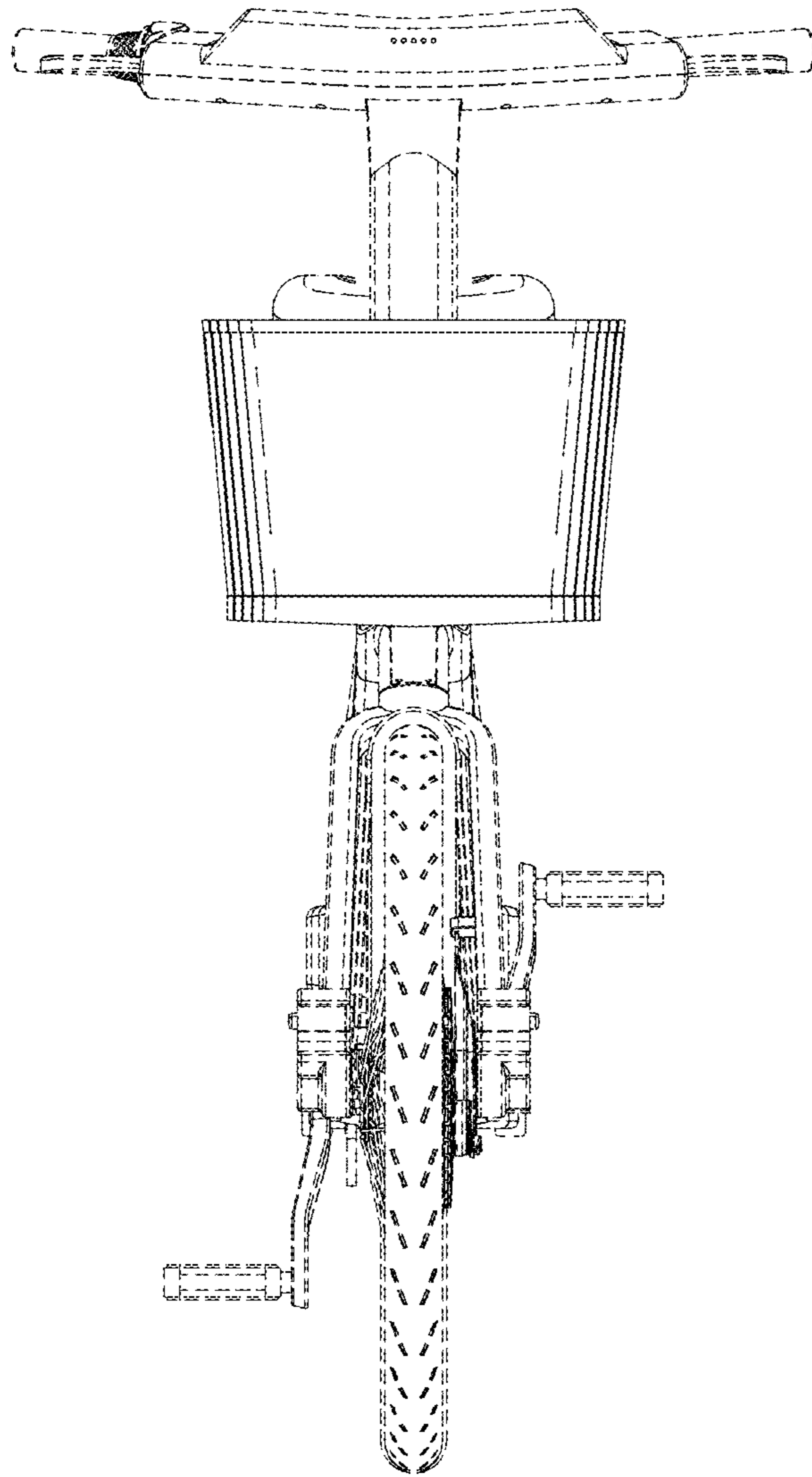


Fig-4

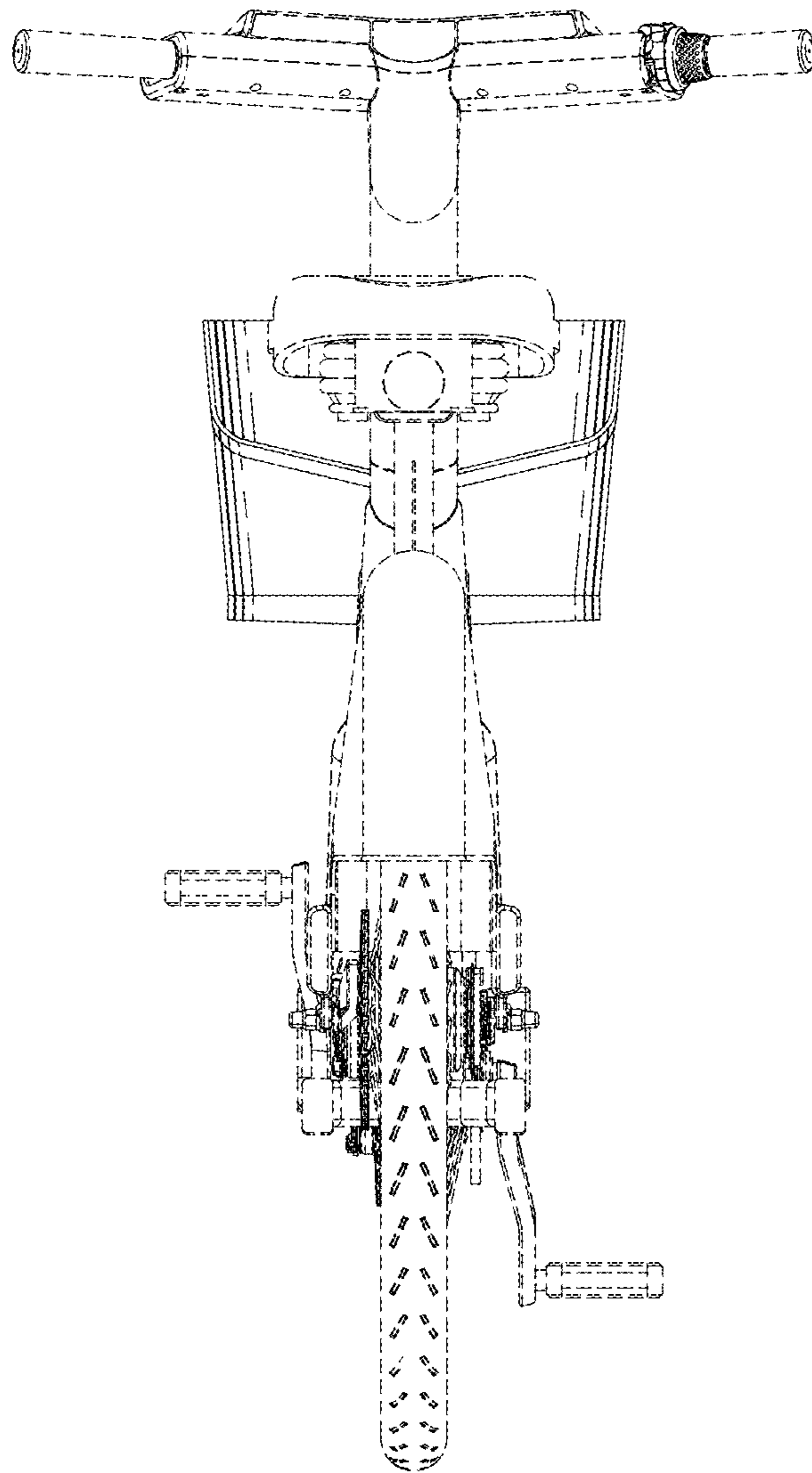


Fig. 5

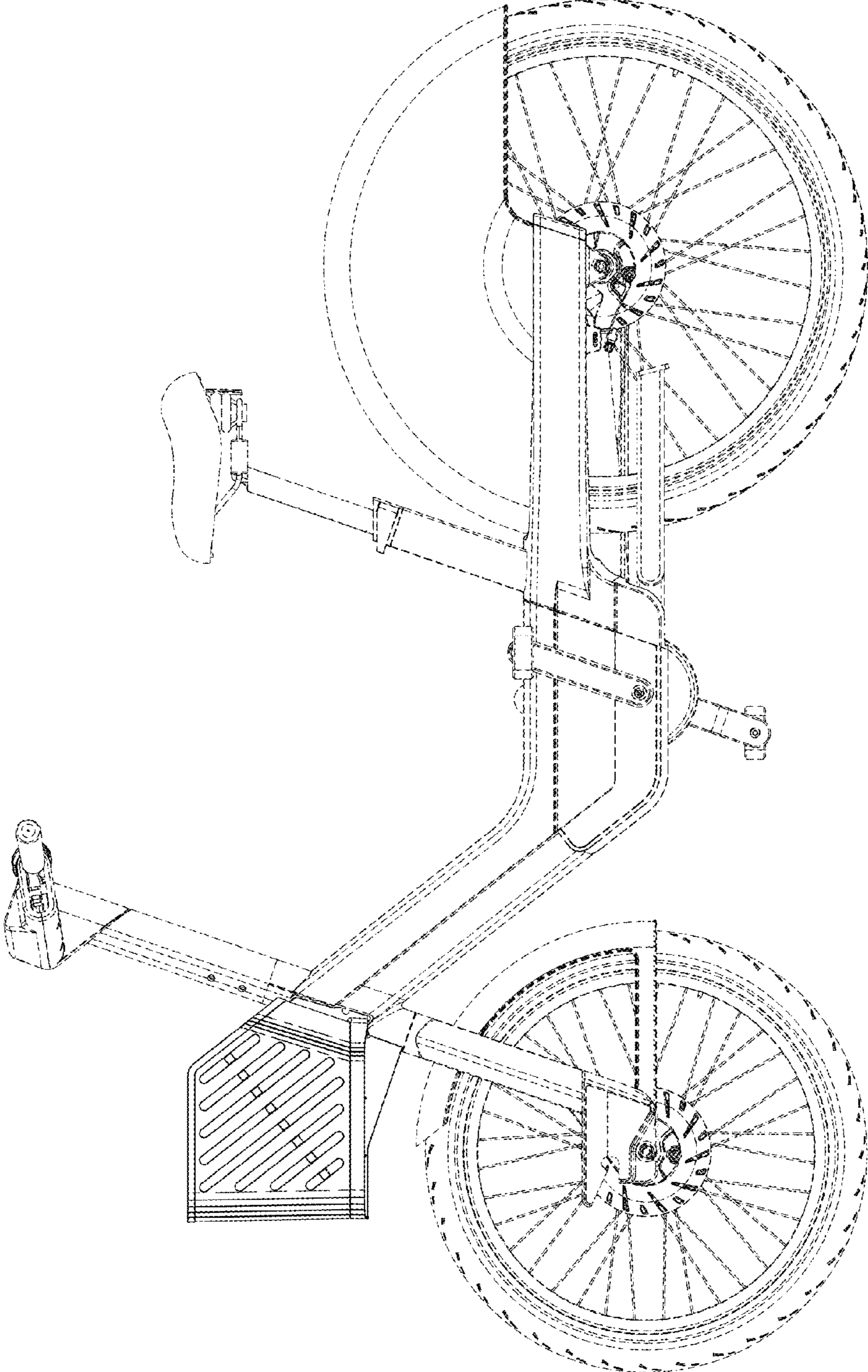


FIG. 6



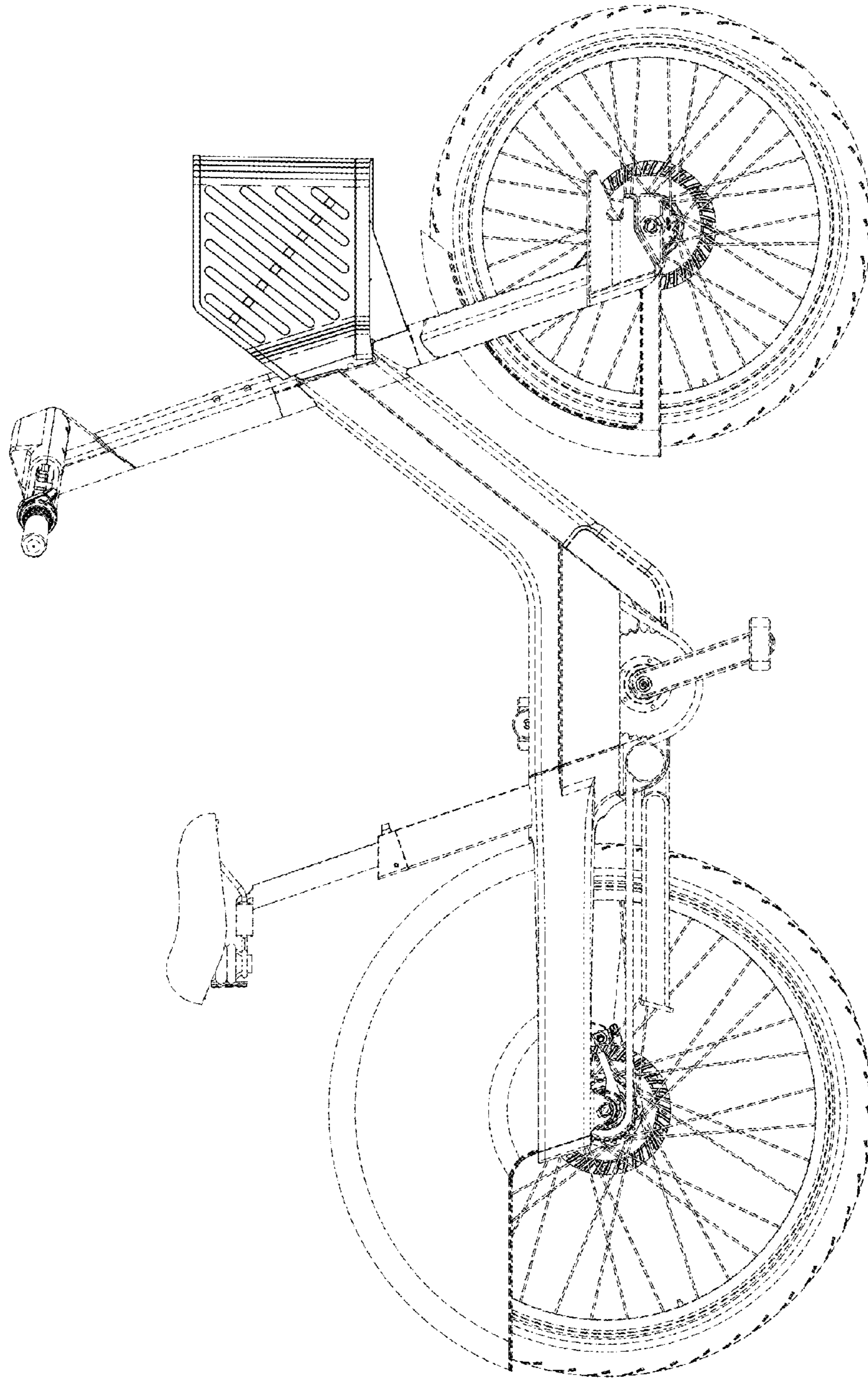


FIG. 7