

US00D746758S

(12) **United States Design Patent**
Dannenberg et al.

(10) **Patent No.:** **US D746,758 S**

(45) **Date of Patent:** **** Jan. 5, 2016**

(54) **CONTROL LEVER FOR A MARINE VESSEL**

(56) **References Cited**

(71) Applicant: **Brunswick Corporation**, Lake Forest, IL (US)

U.S. PATENT DOCUMENTS

(72) Inventors: **Todd D. Dannenberg**, Oshkosh, WI (US); **Ryan C. Abellera**, Fond du Lac, WI (US); **John I.S. Park**, Fond du Lac, WI (US)

5,967,867	A	*	10/1999	Rinzaki et al.	440/87
D497,347	S	*	10/2004	Iekura	D13/168
D510,557	S	*	10/2005	Rick et al.	D12/317
D510,559	S	*	10/2005	Rick et al.	D12/317
D512,364	S	*	12/2005	Rick et al.	D12/317
D554,080	S	*	10/2007	Iekura	D13/168
D592,605	S	*	5/2009	Iekura	D13/168
D663,252	S	*	7/2012	Bondesson	D12/317
D710,781	S	*	8/2014	Park et al.	D12/317

(73) Assignee: **Brunswick Corporation**, Lake Forest, IL (US)

* cited by examiner

(**) Term: **14 Years**

Primary Examiner — Cynthia M Chin

(21) Appl. No.: **29/504,777**

(74) *Attorney, Agent, or Firm* — Eric D. Bublitz

(22) Filed: **Oct. 9, 2014**

(51) **LOC (10) Cl.** **12-06**

(52) **U.S. Cl.**
USPC **D12/317**

(58) **Field of Classification Search**
USPC D12/300, 301, 303–315, 317, 318, 174,
D12/178–180; D13/162, 134, 168, 169,
D13/173; D10/49
CPC B62H 21/21; B62H 21/213; B62H 21/22;
B62H 21/265

See application file for complete search history.

(57) **CLAIM**

The ornamental design for a control lever for a marine vessel, as shown and described.

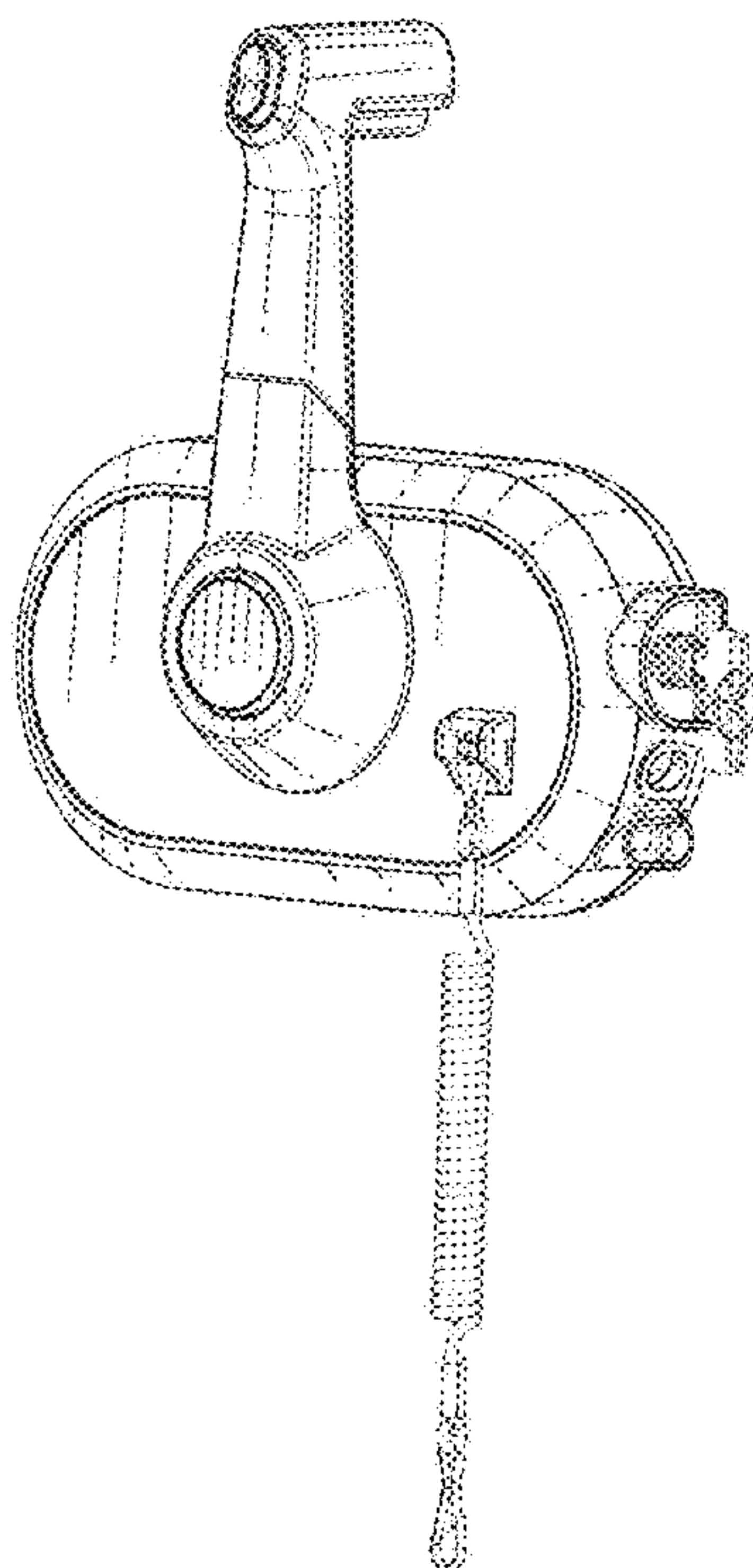
DESCRIPTION

FIG. 1 is a perspective view of a control lever for a marine vessel showing the new design.

FIG. 2 is another perspective view thereof;
FIG. 3 is a left side elevational view thereof;
FIG. 4 is a right side elevational view thereof;
FIG. 5 is a front elevational view thereof;
FIG. 6 is a back elevational view thereof;
FIG. 7 is a top plan view thereof; and,
FIG. 8 is a bottom plan view thereof.

The broken line disclosure of the lanyard, keys and key receptacle represent portions of the article that form no part of the claim.

1 Claim, 6 Drawing Sheets



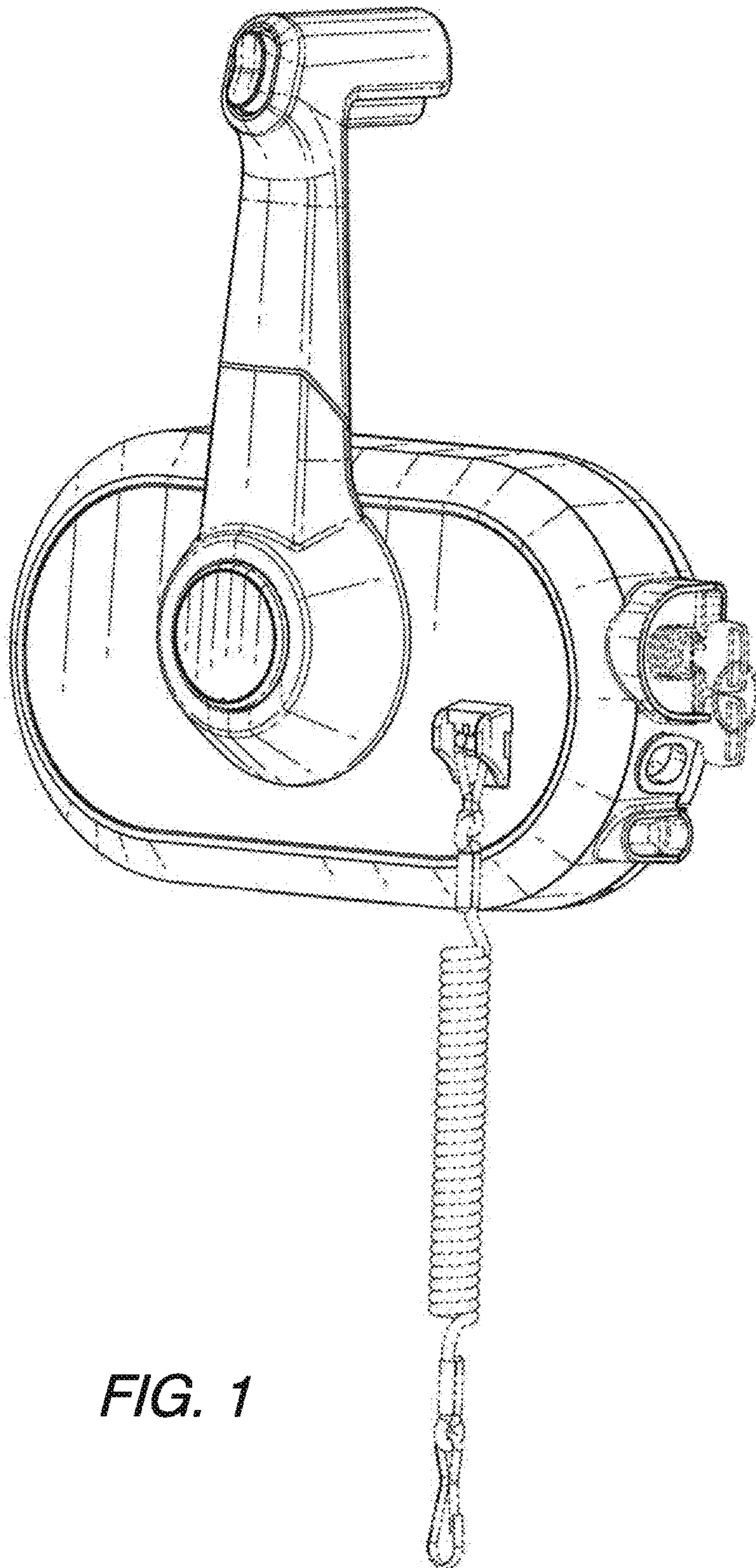


FIG. 1

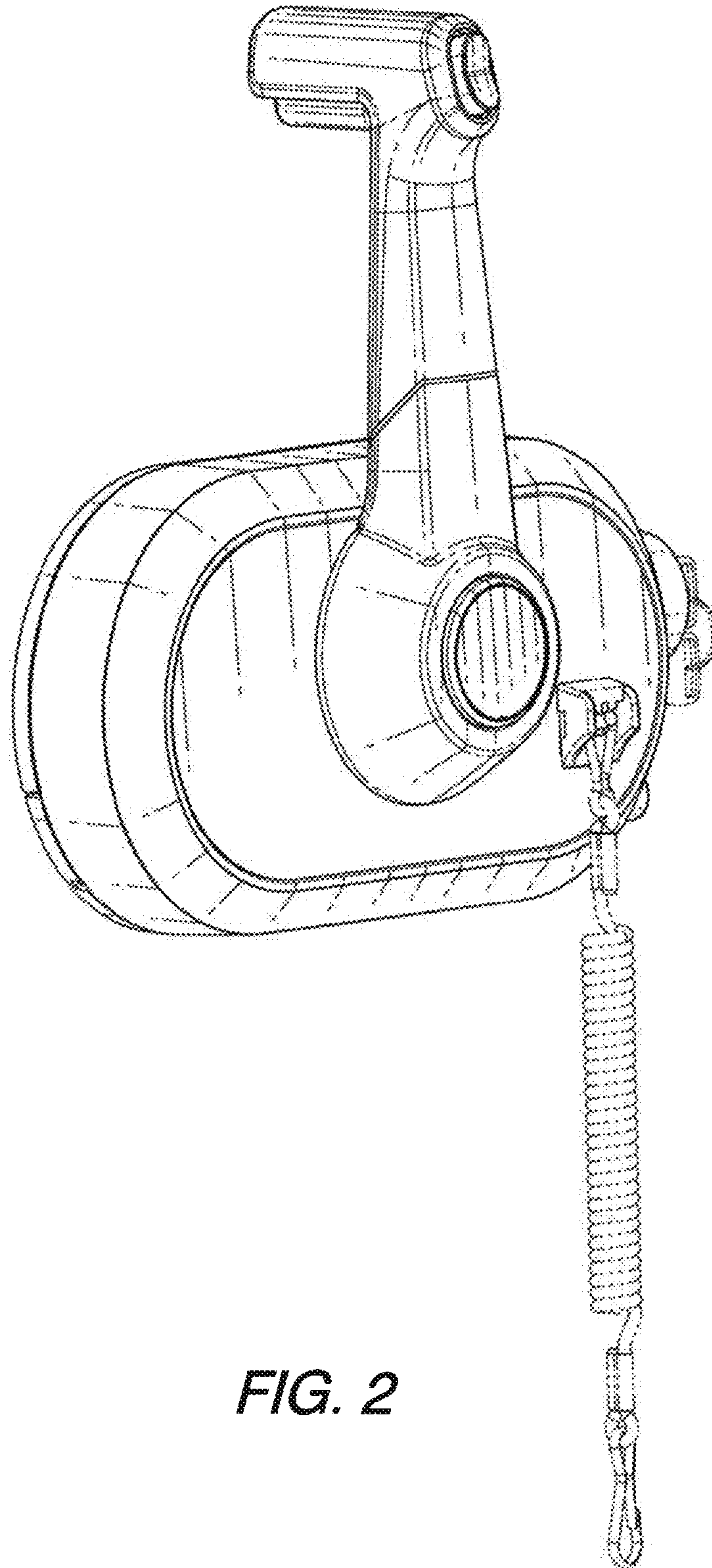


FIG. 2

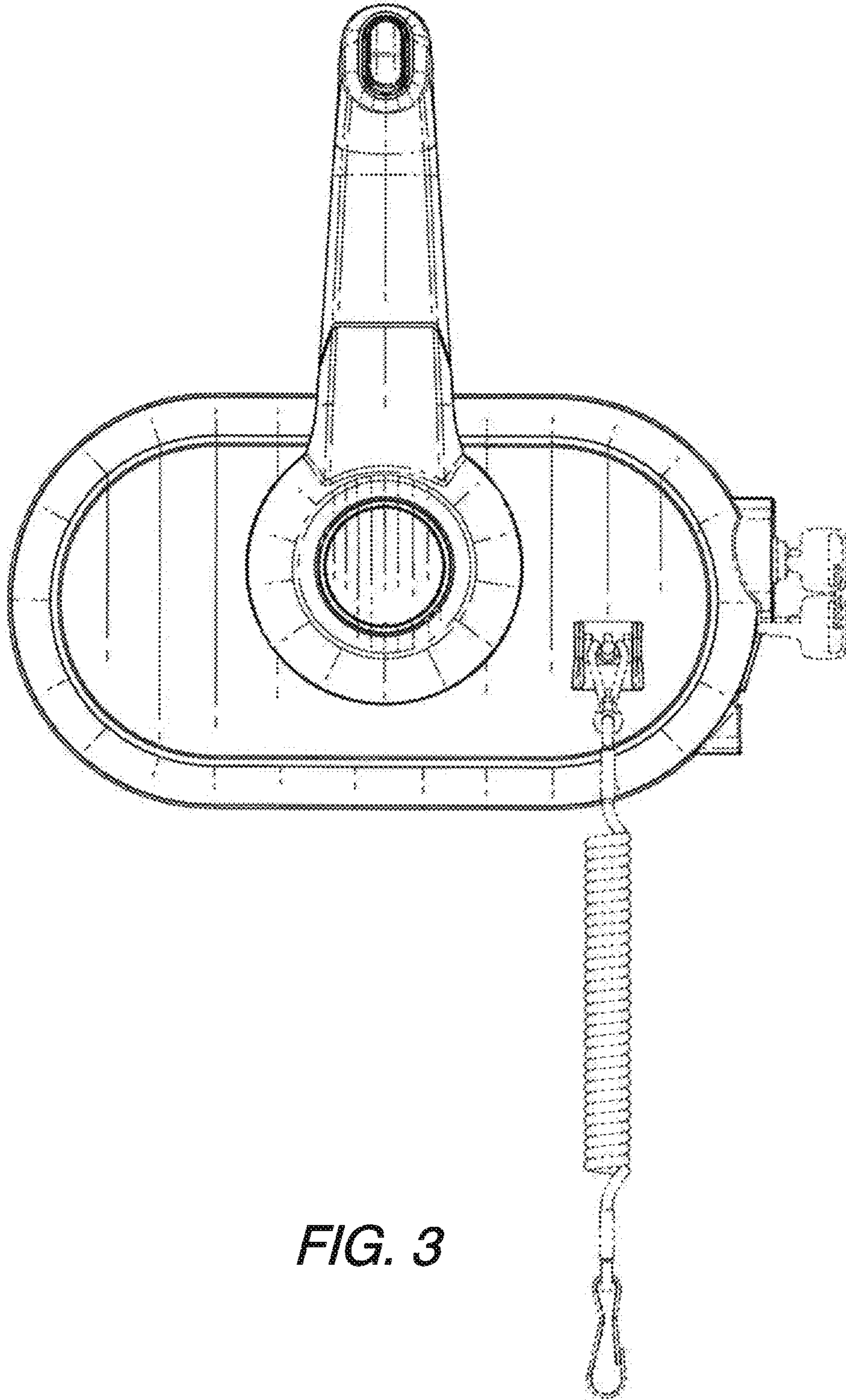


FIG. 3

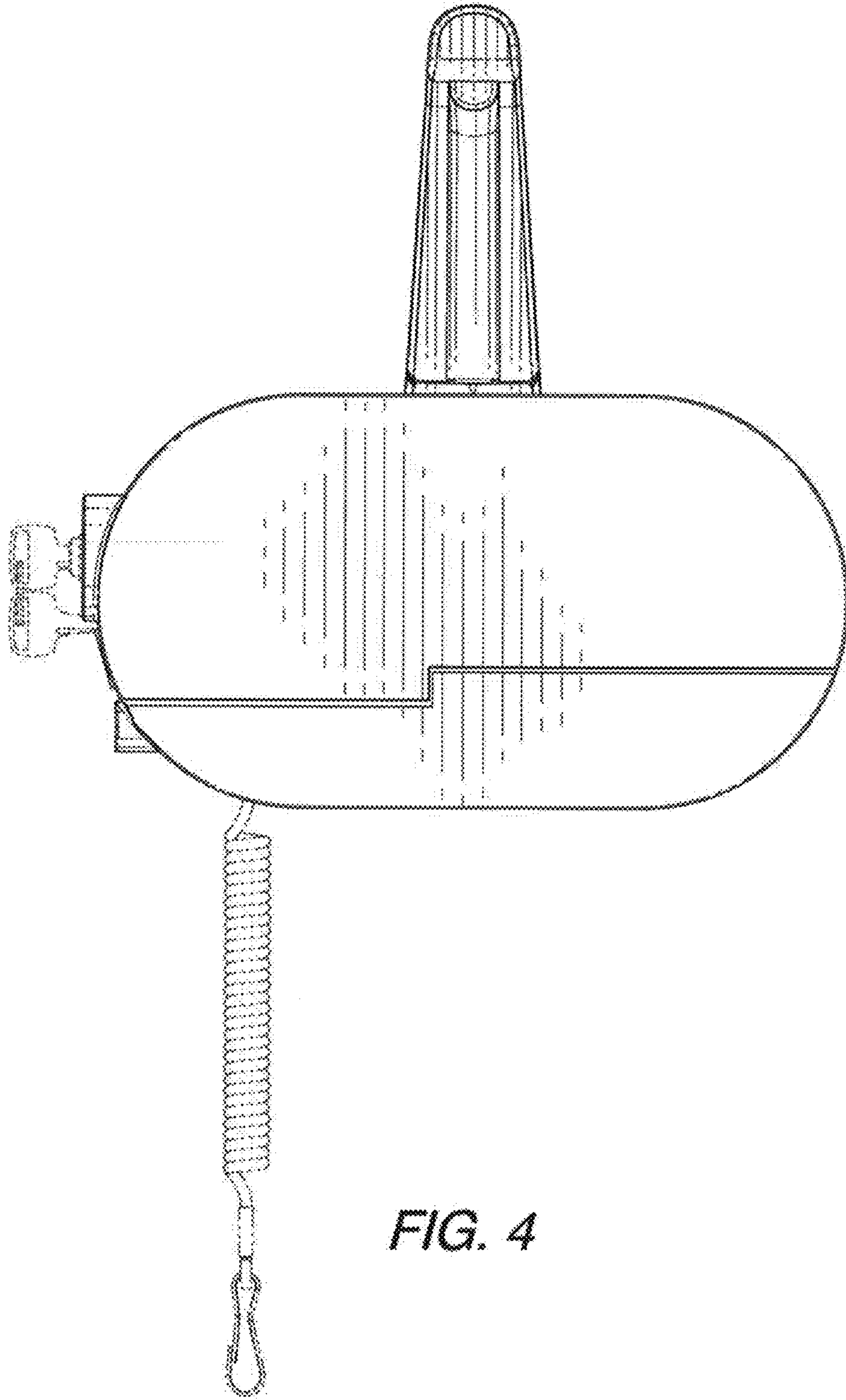
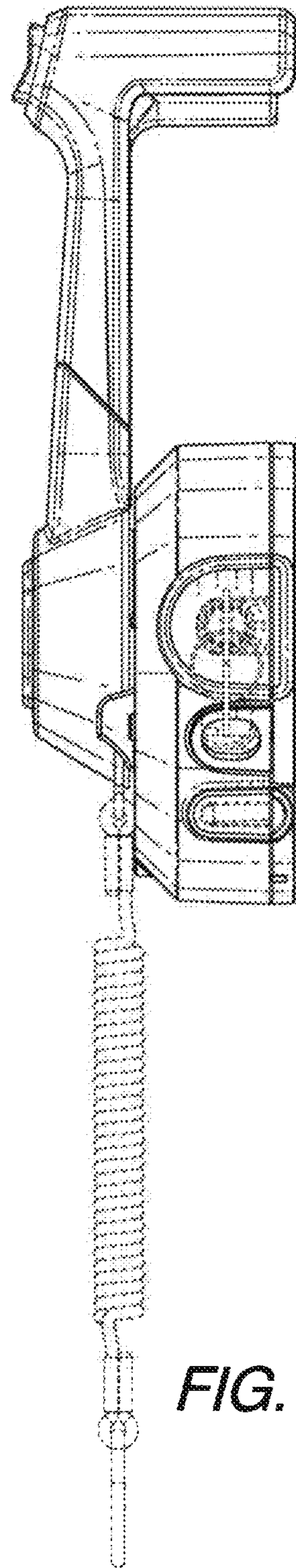
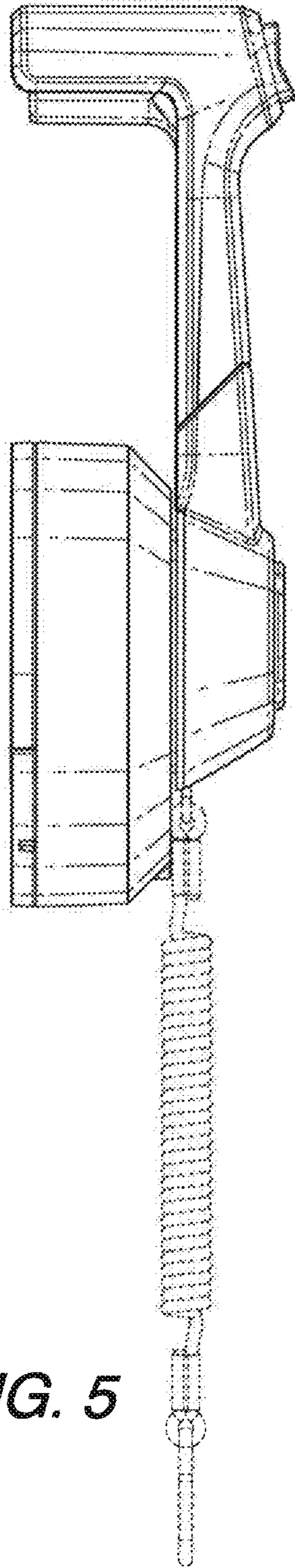


FIG. 4



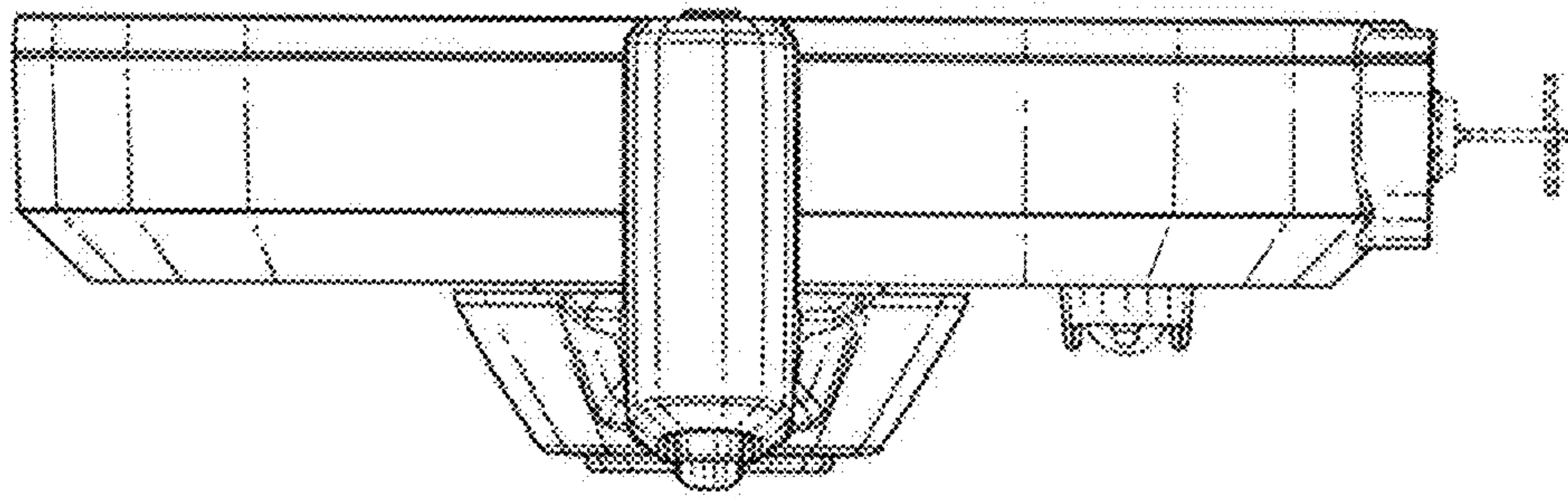


FIG. 7

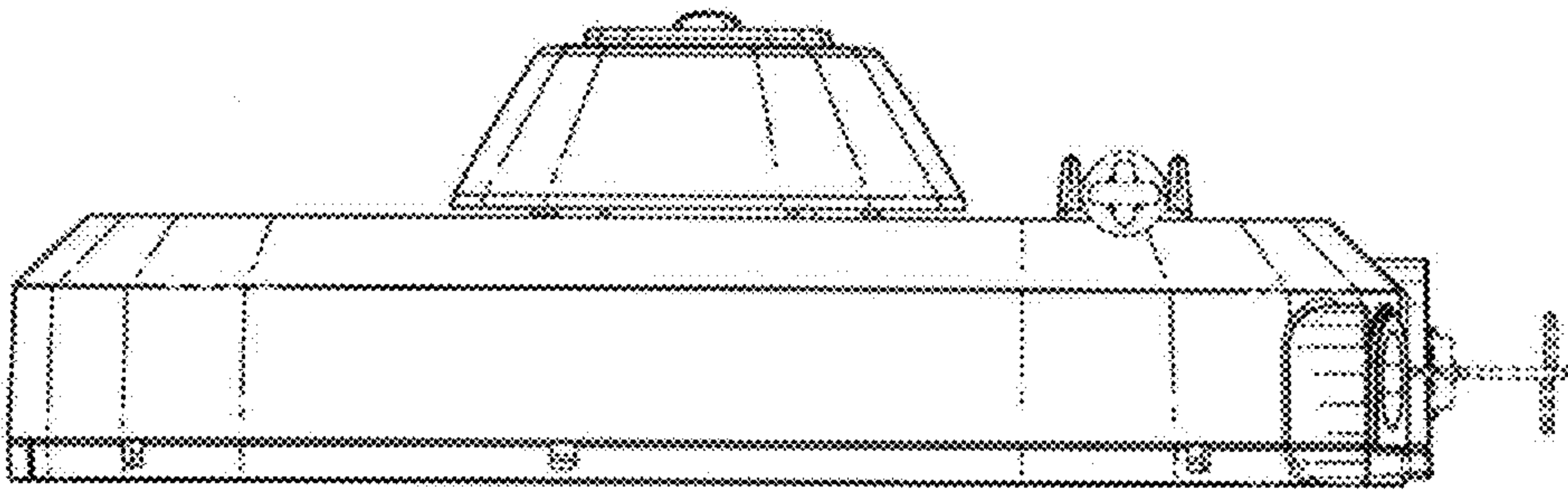


FIG. 8