



US00D746753S

(12) **United States Design Patent**
Johnson

(10) **Patent No.:** **US D746,753 S**
(45) **Date of Patent:** **** Jan. 5, 2016**

(54) **AUTOMOTIVE WHEEL**

(71) Applicant: **Kelly R. Johnson**, City of Industry, CA (US)

(72) Inventor: **Kelly R. Johnson**, City of Industry, CA (US)

(73) Assignee: **THE WHEEL GROUP**, City of Industry, CA (US)

(**) Term: **15 Years**

(21) Appl. No.: **29/532,983**

(22) Filed: **Jul. 13, 2015**

(51) **LOC (10) Cl.** **12-16**

(52) **U.S. Cl.**
USPC **D12/209**

(58) **Field of Classification Search**
USPC D12/204–213
CPC B60B 7/00; B60B 7/02; B60B 7/04;
B60B 7/01; B60B 7/06; B60B 3/02; B60B
3/04; B60B 3/06; B60B 3/10; B60B 1/00;
B60B 1/08; B60B 1/10; B60B 1/12
See application file for complete search history.

(56) **References Cited**

U.S. PATENT DOCUMENTS

D570,276 S	*	6/2008	Chung	D12/211
D579,845 S	*	11/2008	Chung	D12/209
D582,829 S	*	12/2008	Musser	D12/211
D590,315 S	*	4/2009	Chung	D12/209

D625,242 S	*	10/2010	Zhao	D12/211
D639,222 S	*	6/2011	Johnson	D12/209
D649,101 S	*	11/2011	Hale, Jr.	D12/209
D659,067 S	*	5/2012	Lee	D12/209
D675,971 S	*	2/2013	Lee	D12/209
D678,156 S	*	3/2013	Gotschke	D12/209
D691,543 S	*	10/2013	Gordon	D12/209
D695,193 S	*	12/2013	Kong	D12/211
D695,201 S	*	12/2013	Zhao	D12/211
D702,172 S	*	4/2014	Chung	D12/211
D704,118 S	*	5/2014	Chung	D12/209
D704,124 S	*	5/2014	Hale, Jr.	D12/211
D707,610 S	*	6/2014	Hale, Jr.	D12/211
D715,717 S	*	10/2014	Hodges	D12/209
D715,722 S	*	10/2014	Johnson	D12/211
D717,224 S	*	11/2014	Kim	D12/211
D719,496 S	*	12/2014	Johnson	D12/209
D719,893 S	*	12/2014	Kim	D12/211
D721,318 S	*	1/2015	Kim	D12/211
D741,770 S	*	10/2015	Kim	D12/209

* cited by examiner

Primary Examiner — Stacia Cadmus

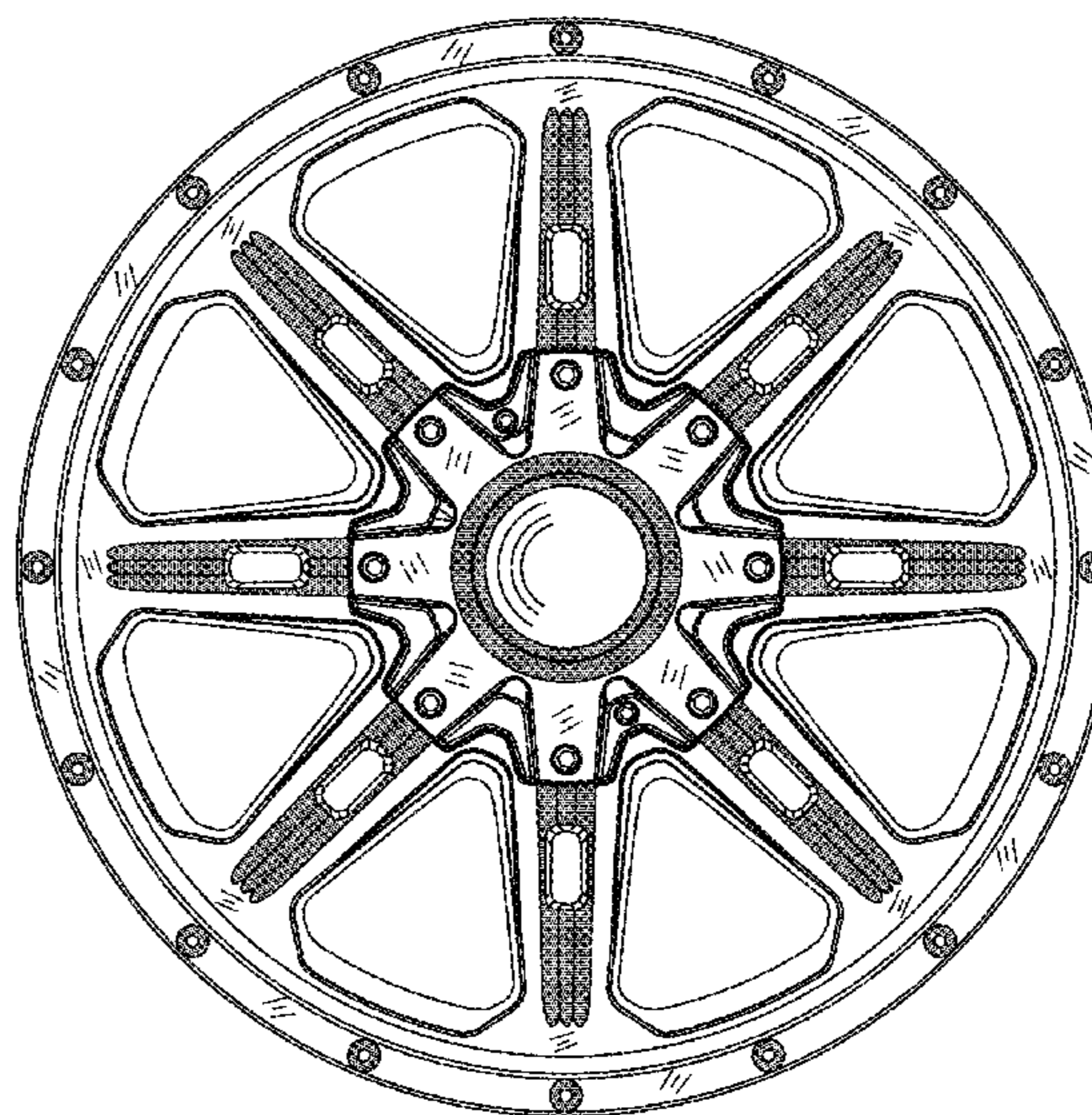
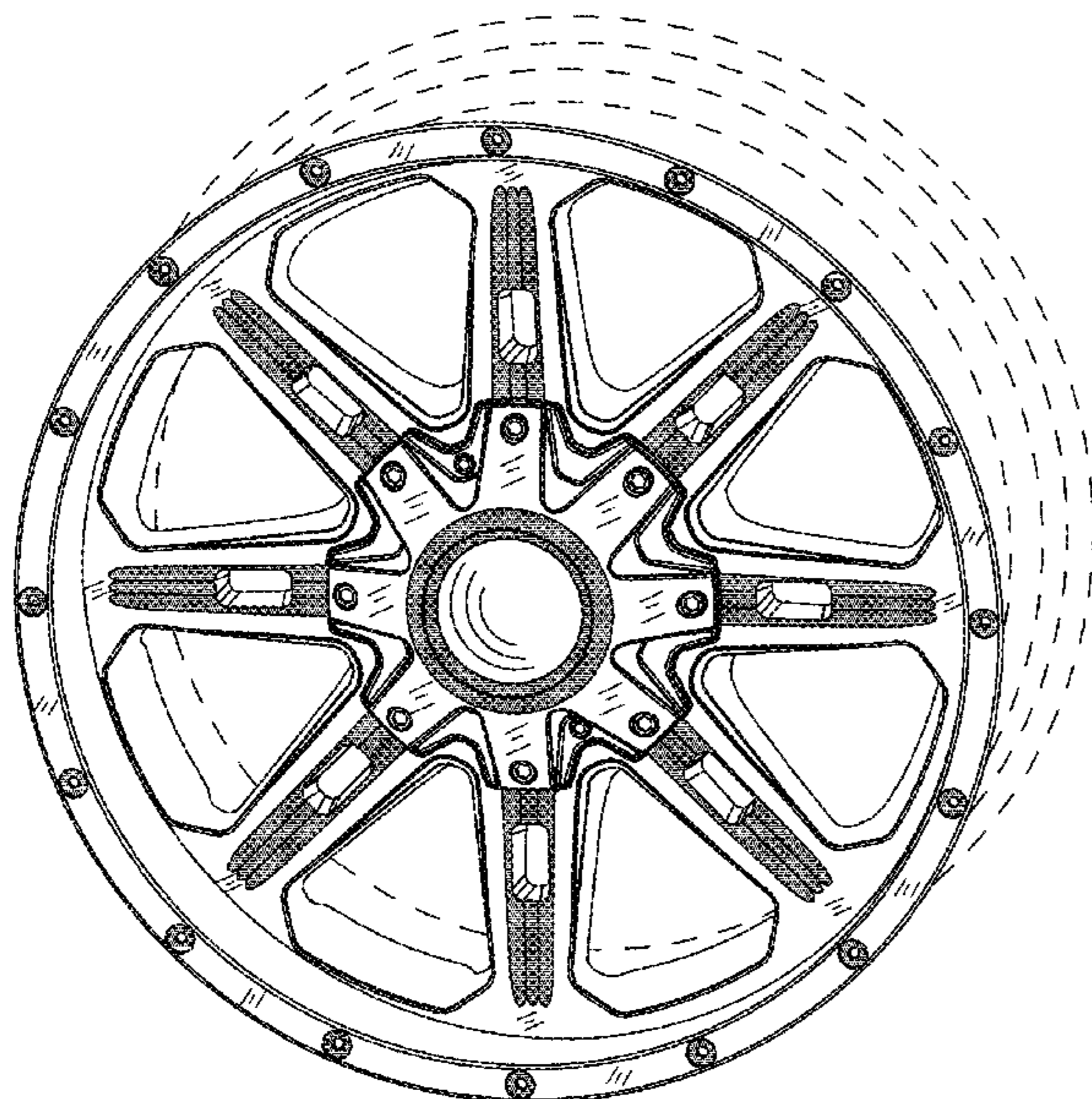
(57) **CLAIM**

The ornamental design for an automotive wheel, as show and described.

DESCRIPTION

FIG. 1 is a perspective view of an automotive wheel showing my new design; and, FIG. 2 is a front elevational view thereof. The broken line showing of the rear portion of the rim is included for the purpose of illustrating environment and forms no part of the claimed design.

1 Claim, 2 Drawing Sheets



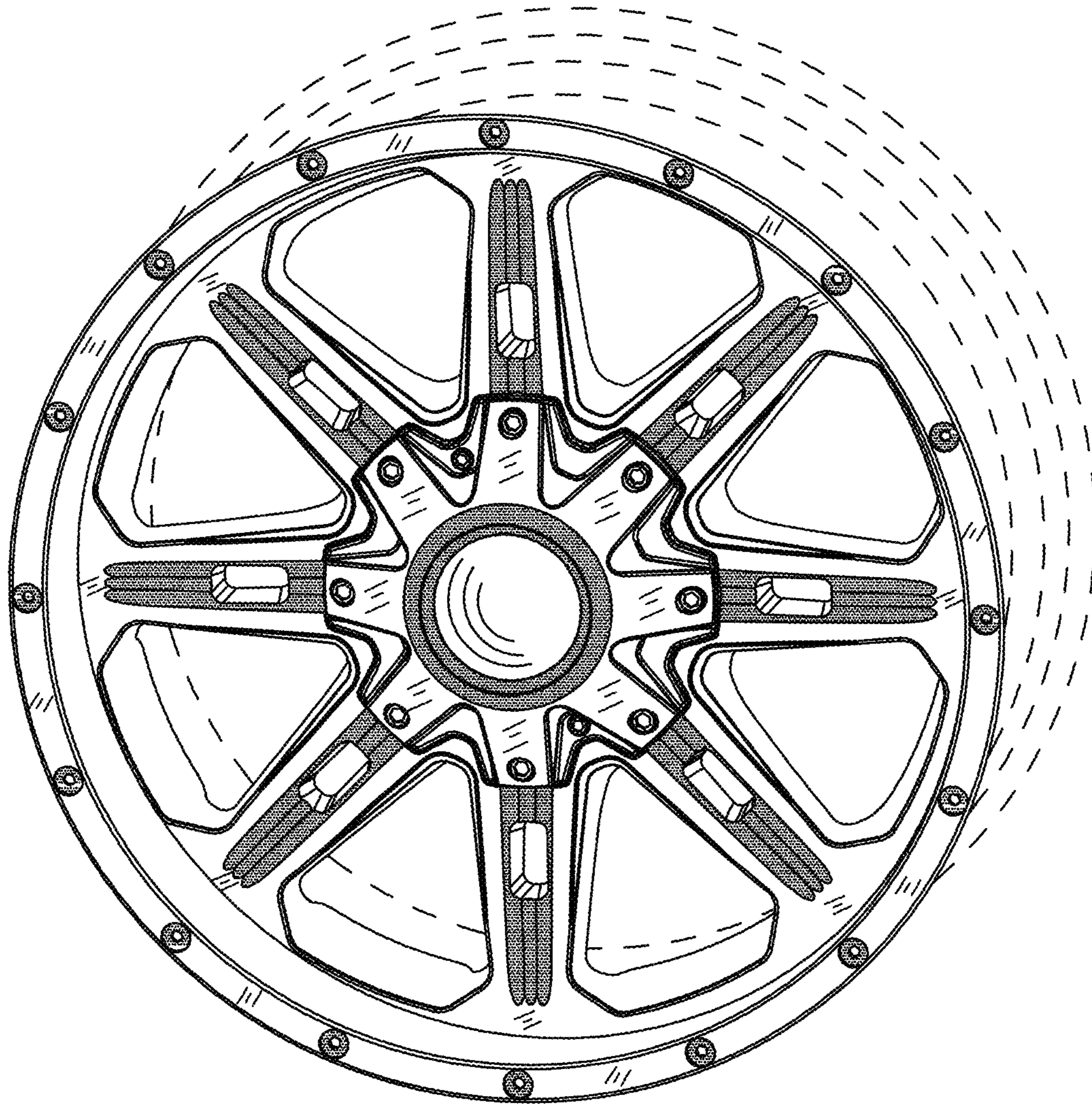


FIG.1

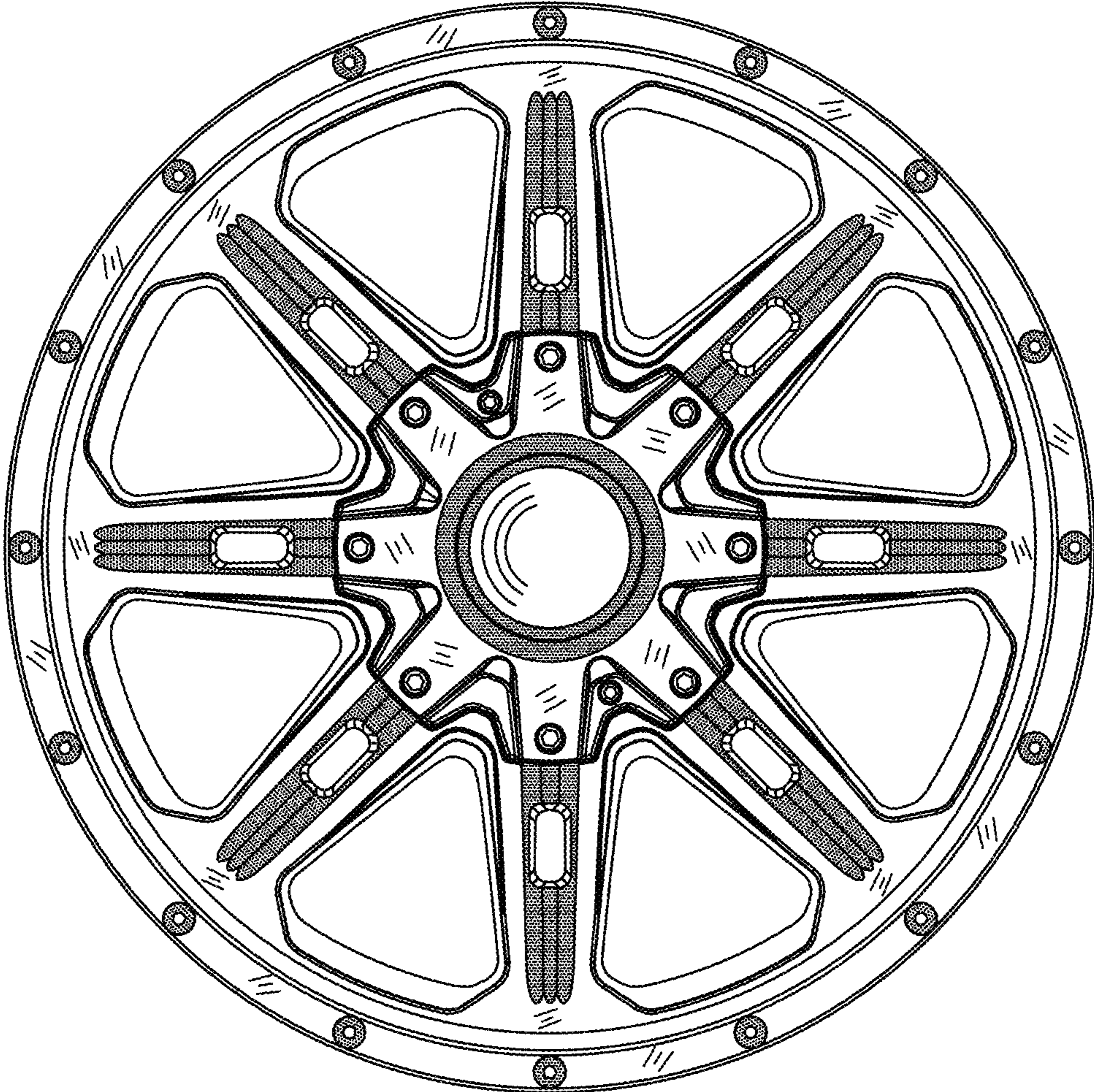


FIG.2