



US00D746746S

(12) **United States Design Patent**  
**Schlater**

(10) **Patent No.:** **US D746,746 S**  
(45) **Date of Patent:** **\*\* Jan. 5, 2016**

(54) **TRIM MOLDING FOR A MOTOR VEHICLE WINDOW**

(71) Applicant: **Creative Extruded Products, Inc.**, Tipp City, OH (US)

(72) Inventor: **Timothy J. Schlater**, Ludlow Falls, OH (US)

(73) Assignee: **Creative Extruded Products, Inc.**, Tipp City, OH (US)

(\*\*) Term: **14 Years**

(21) Appl. No.: **29/511,004**

(22) Filed: **Dec. 5, 2014**

(51) **LOC (10) Cl.** ..... **12-16**

(52) **U.S. Cl.**  
USPC ..... **D12/190**

(58) **Field of Classification Search**  
USPC ..... D12/190, 106, 181, 191, 196, 400, 88  
CPC ..... B60R 19/52; B60J 10/02  
See application file for complete search history.

(56) **References Cited**

**U.S. PATENT DOCUMENTS**

5,413,397 A \* 5/1995 Gold ..... B60J 1/10  
156/108  
6,382,696 B1 \* 5/2002 Young ..... B60J 10/0011  
264/241

7,188,885 B2 \* 3/2007 Schlater ..... B60J 10/02  
296/93  
D597,909 S \* 8/2009 Schlater ..... D12/190  
D598,350 S 8/2009 Schlater et al.  
D598,352 S \* 8/2009 Schlater ..... D12/190  
2006/0022487 A1 \* 2/2006 Schlater ..... B60J 10/02  
296/146.15  
2007/0256376 A1 \* 11/2007 Vaes ..... E04F 19/0495  
52/211  
2008/0191508 A1 \* 8/2008 Kolokowski ..... B60J 1/006  
296/93  
2009/0212588 A1 \* 8/2009 Schlater ..... B60J 10/0005  
296/93

\* cited by examiner

*Primary Examiner* — Katrina A Betton

(74) *Attorney, Agent, or Firm* — Jacox, Meckstroth & Jenkins

(57) **CLAIM**

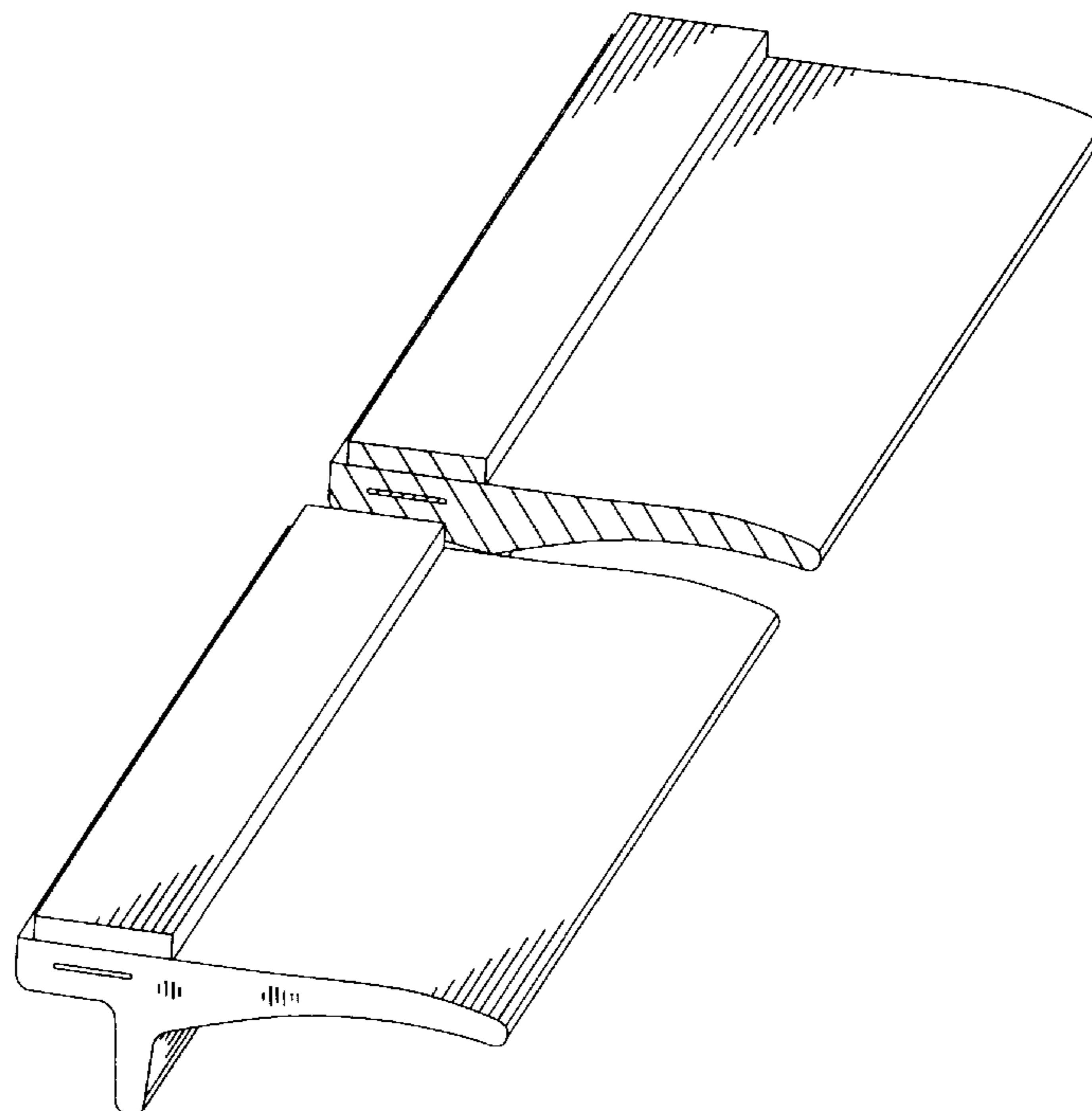
The ornamental design for a trim molding for a motor vehicle window, as shown and described.

**DESCRIPTION**

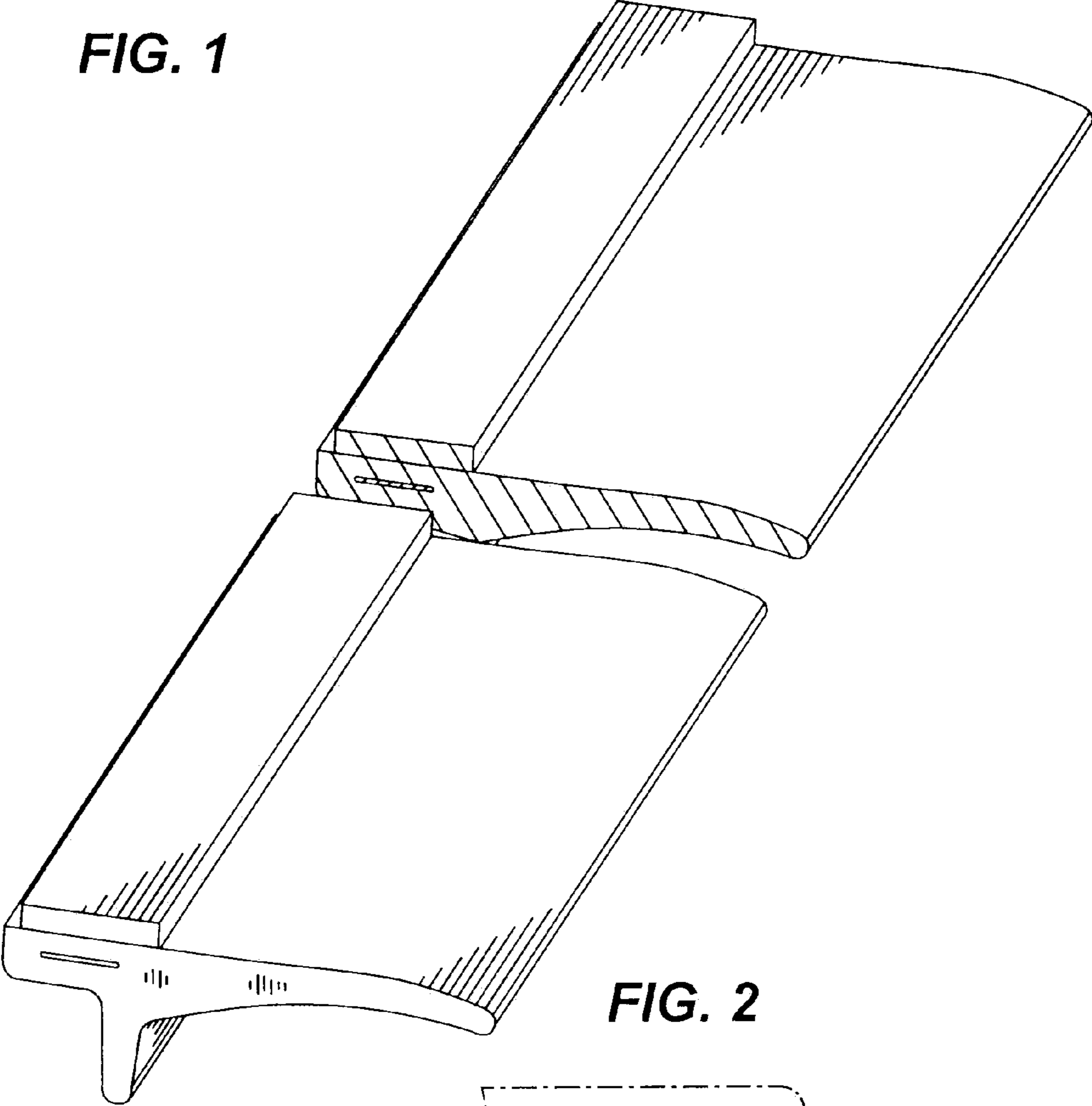
FIG. 1 is a perspective view of a trim molding for a motor vehicle window, showing my new design, with a middle portion broken away to indicate no particular length; and, FIG. 2 is an end view thereof, the opposite end view being a mirror image.

The broken lines in FIG. 2 show a window edge portion and form no part of the claimed design.

**1 Claim, 1 Drawing Sheet**



**FIG. 1**



**FIG. 2**

