



US00D746745S

(12) **United States Design Patent**
Schoonover

(10) **Patent No.:** **US D746,745 S**

(45) **Date of Patent:** **** Jan. 5, 2016**

(54) **SEAL**

(71) Applicant: **LTI Flexible Product, Inc.**, Modesto,
CA (US)

(72) Inventor: **James Schoonover**, Shelby Township,
MI (US)

(73) Assignee: **LTI Flexible Products, Inc.**, Modesto,
CA (US)

(**) Term: **14 Years**

(21) Appl. No.: **29/510,940**

(22) Filed: **Dec. 4, 2014**

(51) **LOC (10) Cl.** **12-08**

(52) **U.S. Cl.**
USPC **D12/190**

(58) **Field of Classification Search**
USPC D12/190, 106, 181, 191, 196, 400, 88
CPC B60R 13/02; B60R 13/04
See application file for complete search history.

(56) **References Cited**

U.S. PATENT DOCUMENTS

| | | | | | |
|-----------|------|---------|----------|-------|--------------|
| 4,975,306 | A * | 12/1990 | Jackson | | B60J 10/0002 |
| | | | | | 156/244.11 |
| 6,257,644 | B1 * | 7/2001 | Young | | B60J 10/02 |
| | | | | | 296/93 |
| 6,979,041 | B2 * | 12/2005 | May | | B60J 10/0005 |
| | | | | | 296/93 |
| D606,473 | S * | 12/2009 | Schlater | | D12/190 |
| D606,474 | S * | 12/2009 | Schlater | | D12/190 |
| D636,313 | S * | 4/2011 | Schlater | | D12/190 |

| | | | | | |
|--------------|------|---------|------------|-------|--------------|
| D651,146 | S * | 12/2011 | Schoonover | | D12/190 |
| D669,820 | S * | 10/2012 | Schoonover | | D12/106 |
| 2003/0090122 | A1 * | 5/2003 | Meizlish | | B60J 10/02 |
| | | | | | 296/93 |
| 2009/0071077 | A1 * | 3/2009 | Takase | | B60J 10/0008 |
| | | | | | 49/489.1 |

* cited by examiner

Primary Examiner — Katrina A Betton

(74) *Attorney, Agent, or Firm* — Botkin & Hall, LLP

(57) **CLAIM**

The ornamental design for a seal, as shown and described.

DESCRIPTION

FIG. 1 is a perspective view of a seal, in accordance with the present invention;
 FIG. 2 is a front elevation view of the seal of FIG. 1, in accordance with the present invention;
 The rear elevation view of the seal is a mirror image of that shown in FIG. 2;
 FIG. 3 is a top plan view of the seal of FIGS. 1-2, in accordance with the present invention;
 FIG. 4 is a bottom plan view of the seal of FIGS. 1-3, in accordance with the present invention;
 FIG. 5 is a right side elevation view of the seal of FIGS. 1-4, in accordance with the present invention; and,
 FIG. 6 is a left side elevation view of the seal of FIGS. 1-5, in accordance with the present invention.
 The seal is shown broken along its length to indicate that the seal may be formed in any length.

1 Claim, 3 Drawing Sheets

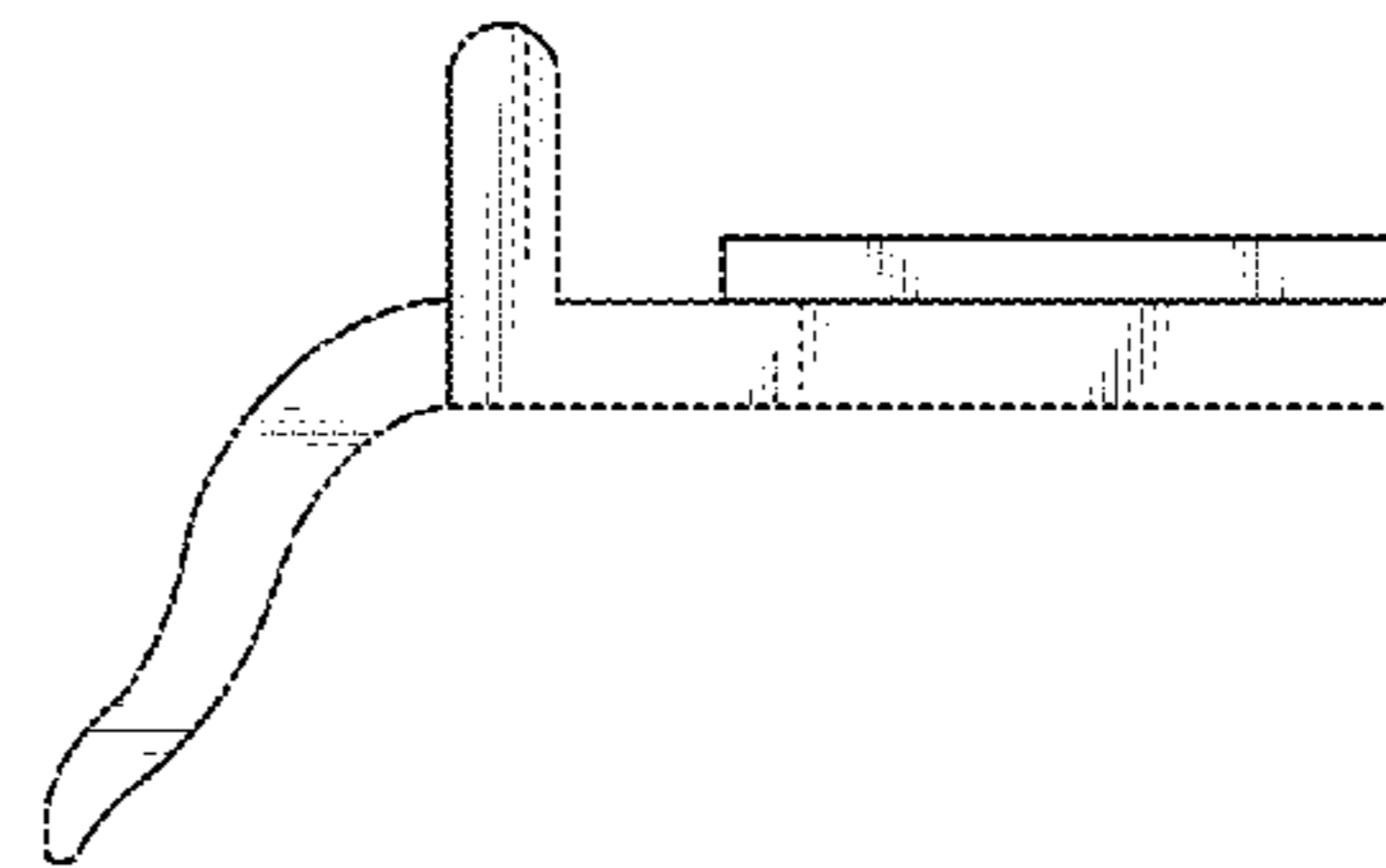
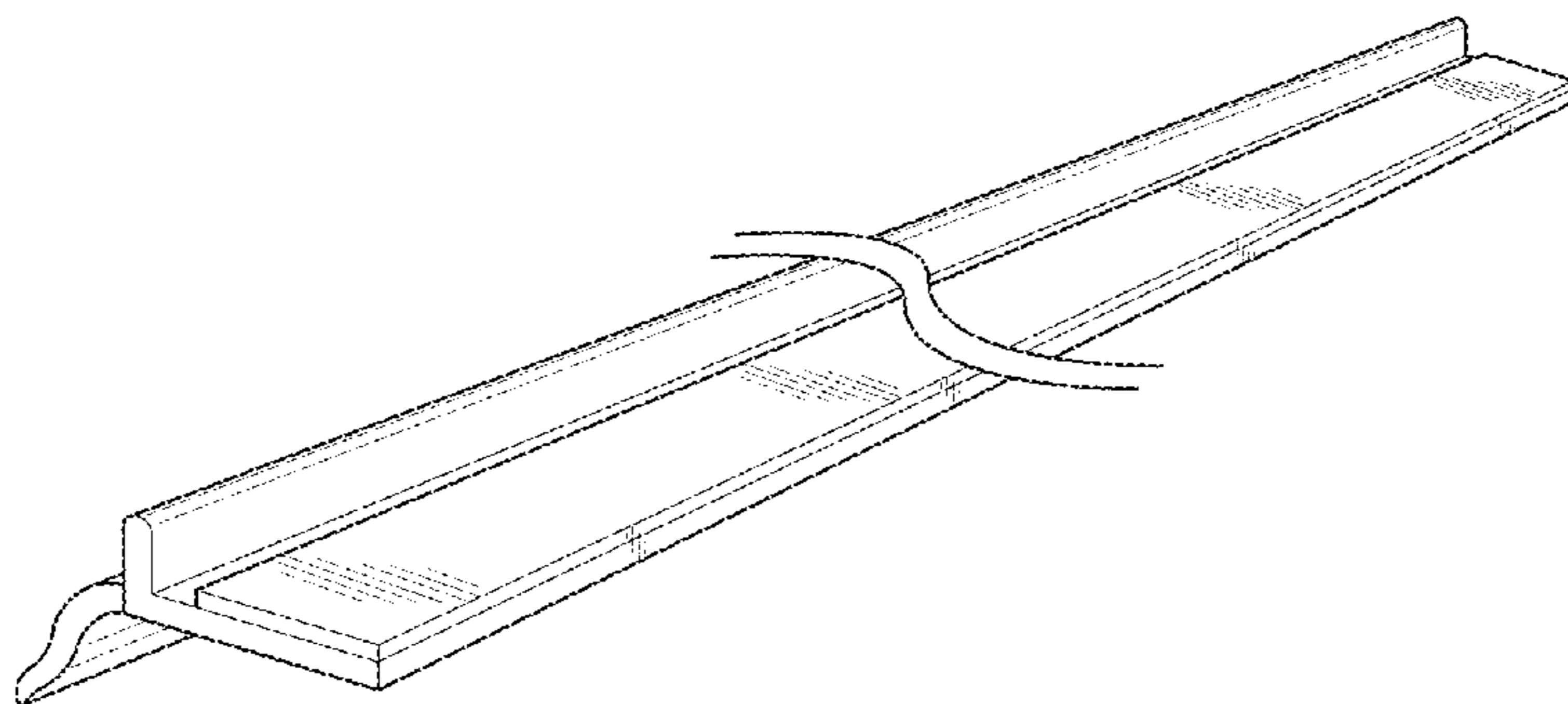


FIG. 1

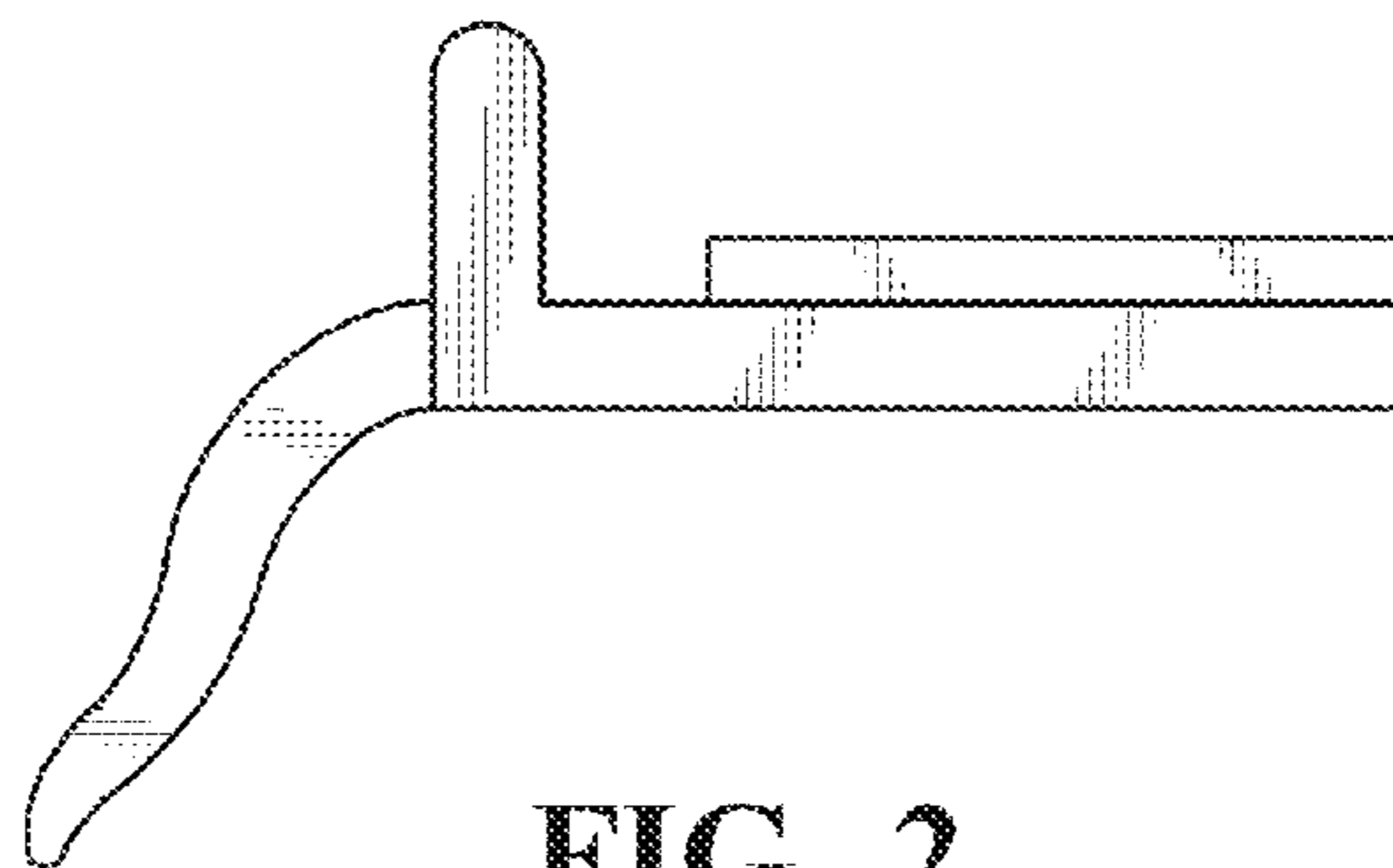
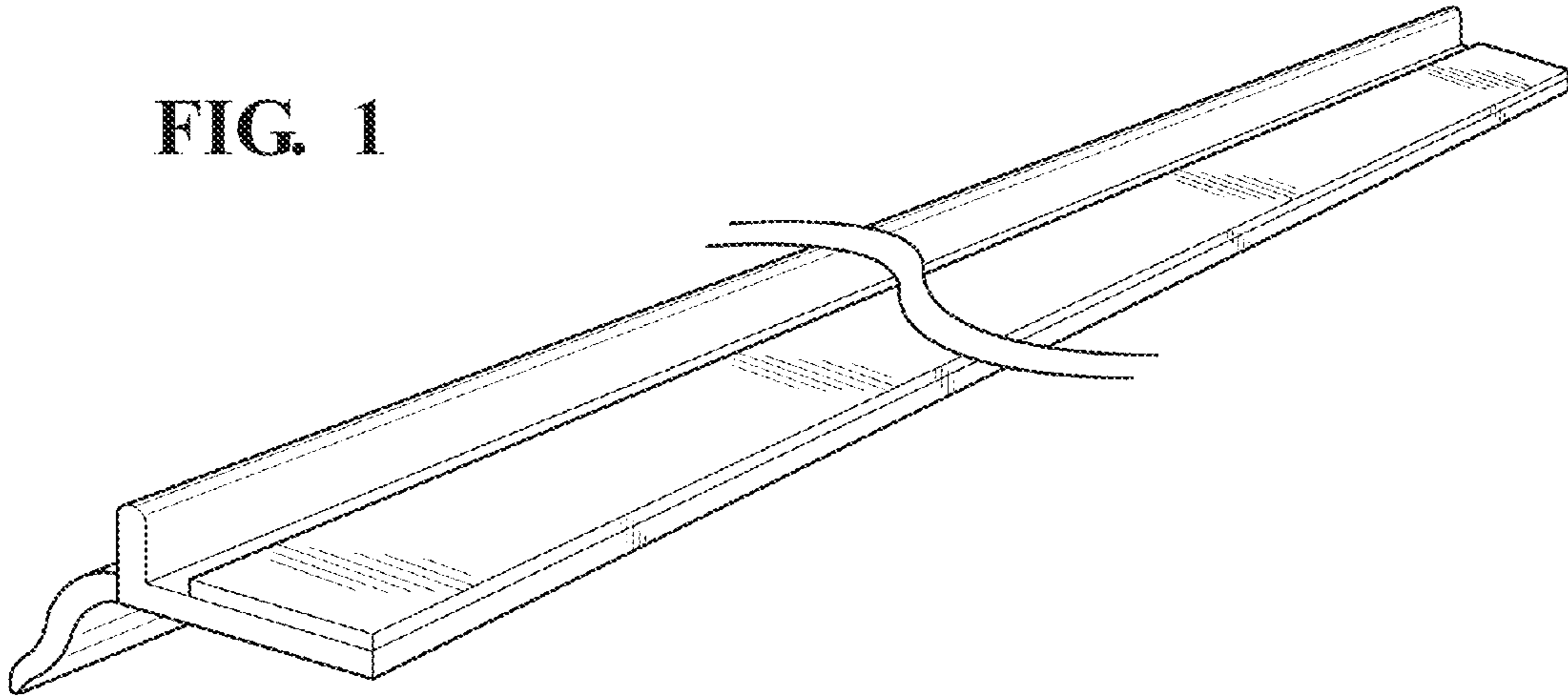


FIG. 2

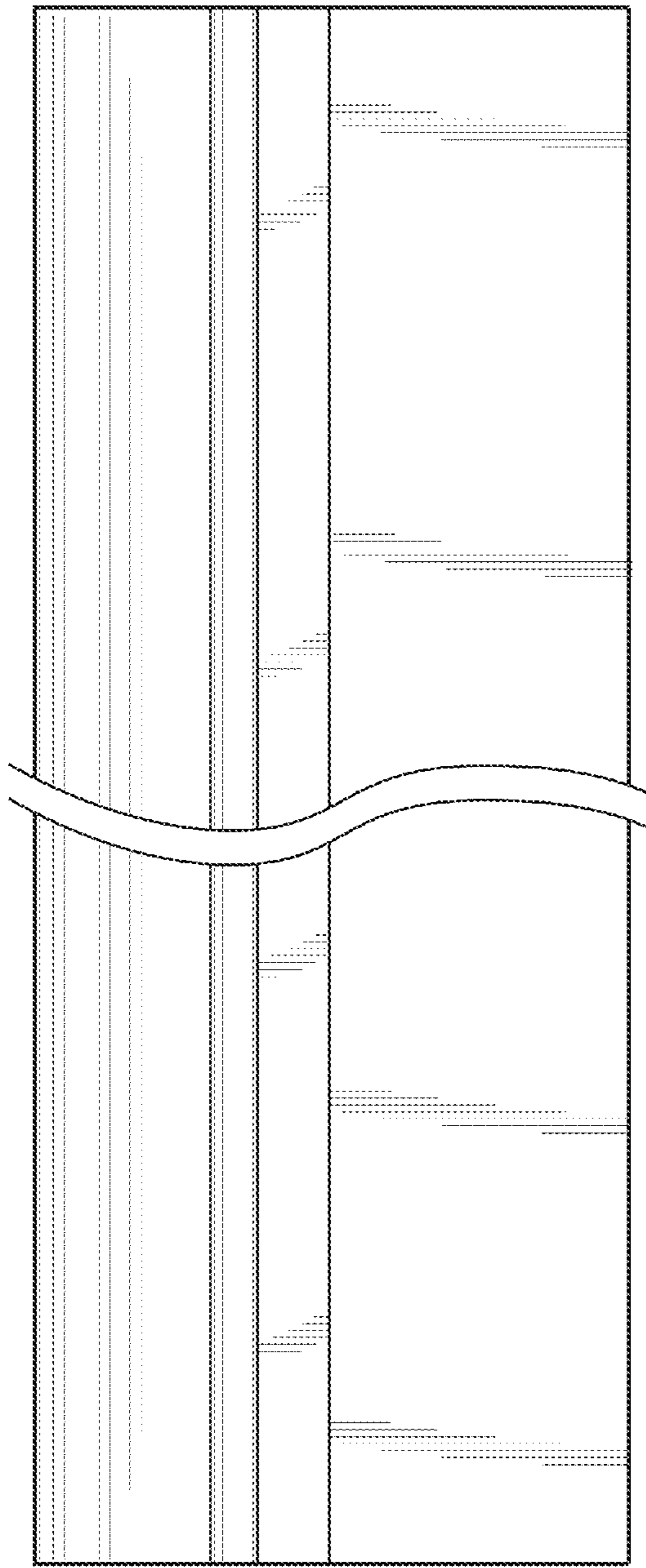


FIG. 3

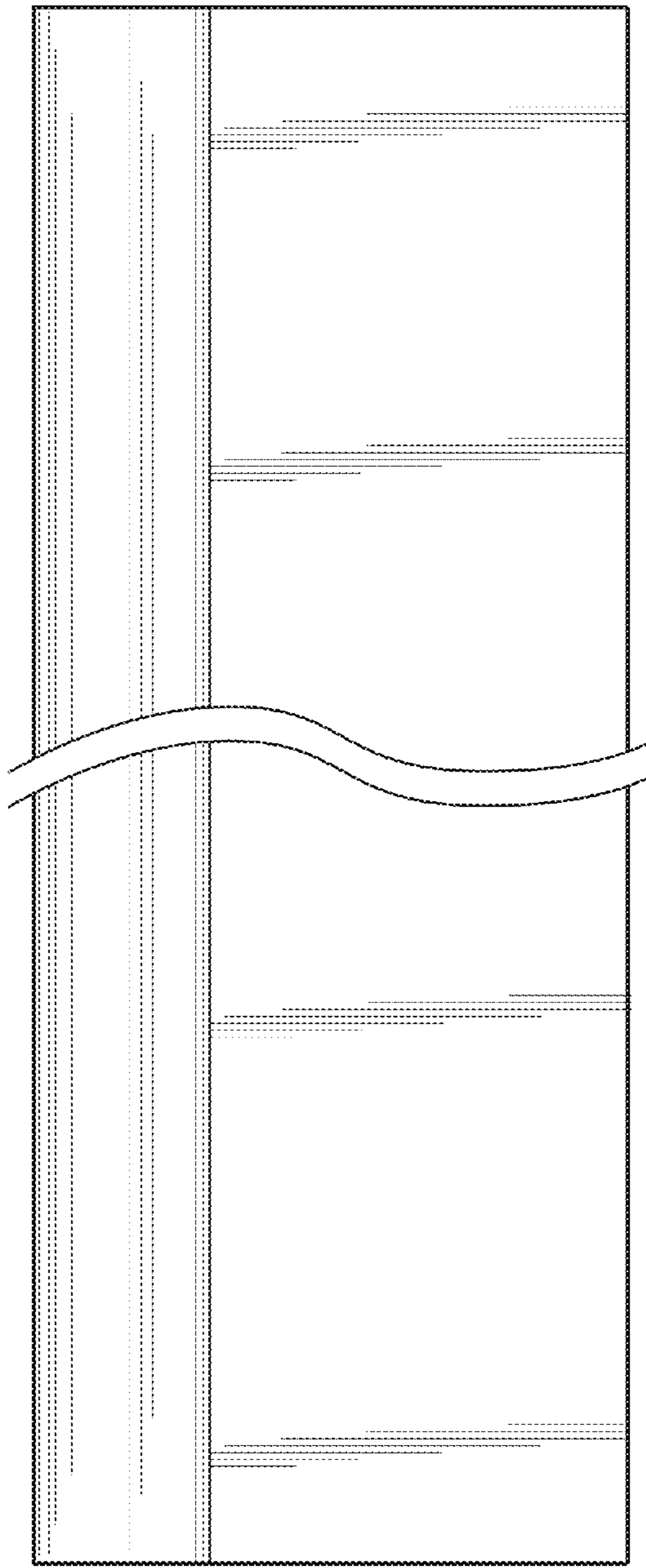


FIG. 4

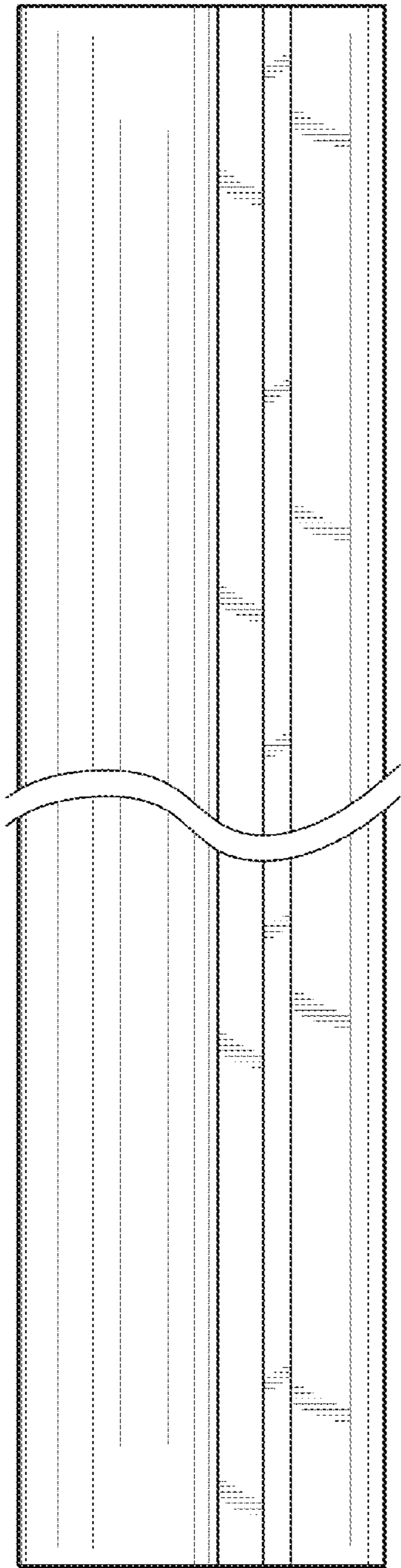


FIG. 5

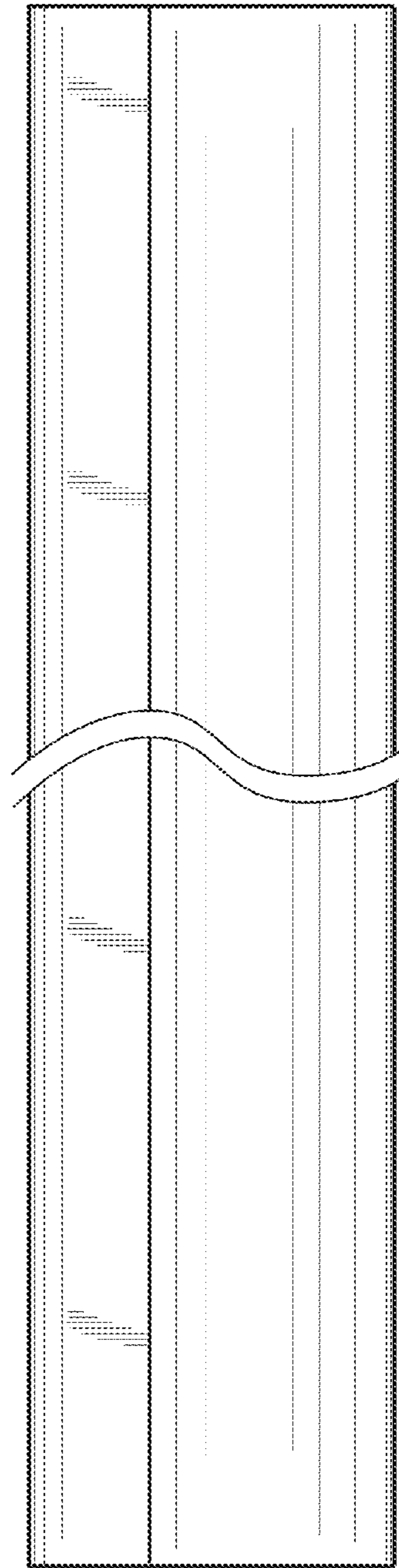


FIG. 6