



US00D746744S

(12) **United States Design Patent**  
**Sloterbeek et al.**

(10) **Patent No.:** **US D746,744 S**  
(45) **Date of Patent:** **\*\* Jan. 5, 2016**

- (54) **REARVIEW DEVICE**
- (71) Applicant: **Gentex Corporation**, Zeeland, MI (US)
- (72) Inventors: **Eric S. Sloterbeek**, Hudsonville, MI (US); **Danny L. Minikey, Jr.**, Fenwick, MI (US); **Bradley R. Hamlin**, Allendale, MI (US)
- (73) Assignee: **GENTEX CORPORATION**, Zeeland, MI (US)
- (\*\*) Term: **14 Years**
- (21) Appl. No.: **29/511,063**
- (22) Filed: **Dec. 5, 2014**
- (51) **LOC (10) Cl.** ..... **12-16**
- (52) **U.S. Cl.**  
USPC ..... **D12/187**
- (58) **Field of Classification Search**  
USPC ..... D12/187, 188, 189; D6/300, 306  
CPC ..... B60R 1/076; G02B 7/18; G02B 5/08;  
G02B 7/182  
See application file for complete search history.

- 6,902,284 B2 6/2005 Hutzel et al.
- D553,061 S 10/2007 Schmidt et al.
- D556,105 S \* 11/2007 Carter et al. .... D12/187
- D556,106 S \* 11/2007 Carter et al. .... D12/187
- D659,617 S \* 5/2012 Brockington et al. .... D12/187
- D712,325 S \* 9/2014 Bohanan et al. .... D12/187
- D724,508 S \* 3/2015 Bohanan et al. .... D12/187
- D724,509 S \* 3/2015 Bohanan et al. .... D12/187
- 2014/0192431 A1 7/2014 Sloterbeek et al.

\* cited by examiner

*Primary Examiner* — Katrina A Betton

(74) *Attorney, Agent, or Firm* — Price Heneveld LLP; Scott P. Ryan

(57) **CLAIM**

We claim the ornamental design for a rearview device, as shown and described.

**DESCRIPTION**

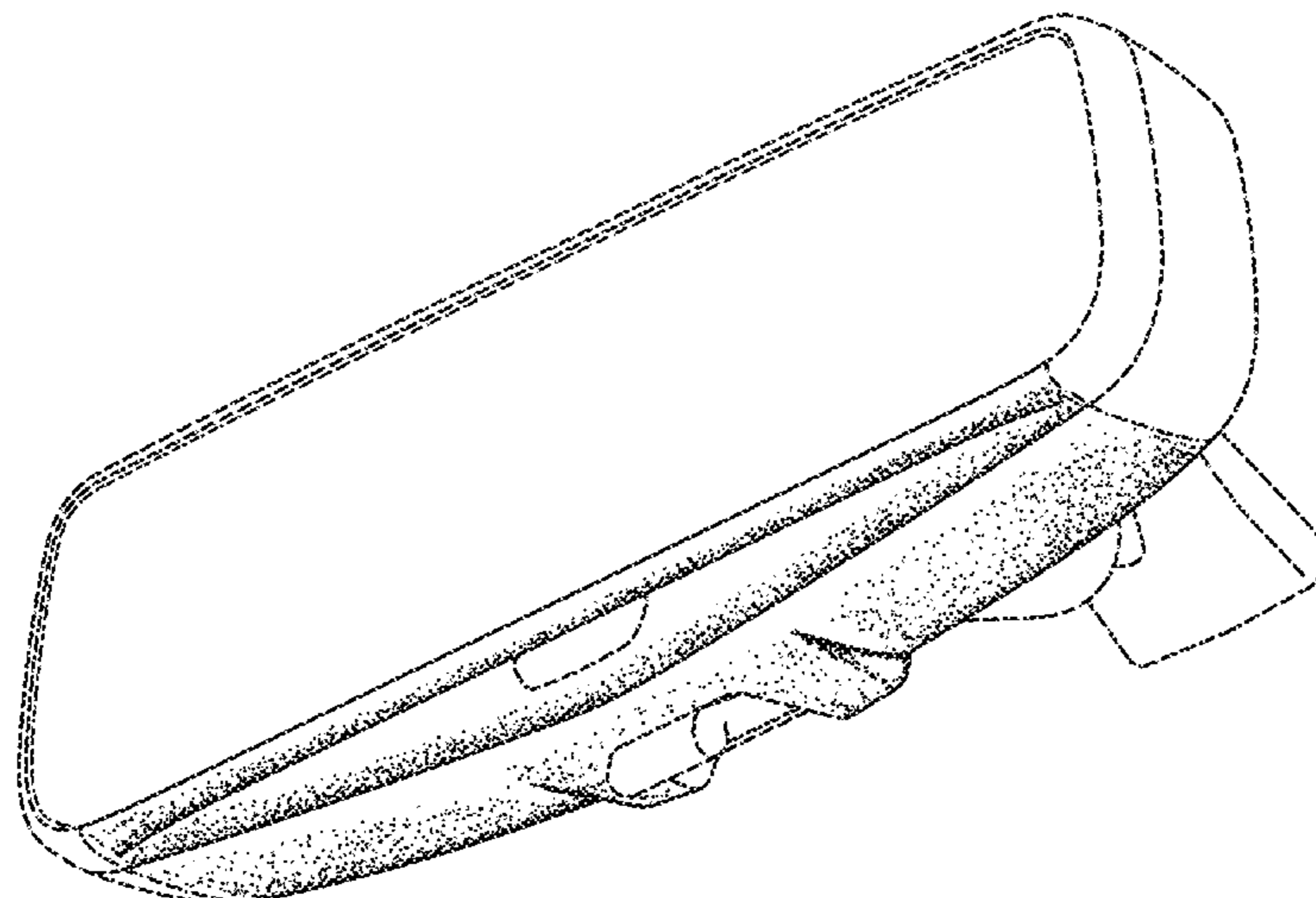
FIG. 1 is a top front perspective view of a rearview device of the present disclosure;  
 FIG. 2 is a bottom front perspective view of the rearview device of FIG. 1;  
 FIG. 3 is a front elevational view of the rearview device of FIG. 1;  
 FIG. 4 is a rear elevational view of the rearview device of FIG. 1;  
 FIG. 5 is a top plan view of the rearview device of FIG. 1;  
 FIG. 6 is a bottom plan elevational view of the rearview device of FIG. 1;  
 FIG. 7 is a first side elevational view of the rearview device of FIG. 1; and,  
 FIG. 8 is a second side elevational view of the rearview device of FIG. 1.  
 In the drawings, the broken lines depict portions of the article that form no part of the claimed design.

**1 Claim, 5 Drawing Sheets**

(56) **References Cited**

U.S. PATENT DOCUMENTS

- D283,998 S 5/1986 Tanaka
- 4,630,904 A 12/1986 Pastore
- D346,356 S 4/1994 Leu
- D400,481 S 11/1998 Stephens et al.
- D401,200 S 11/1998 Huang
- D451,869 S \* 12/2001 Knapp et al. .... D12/187
- D471,847 S 3/2003 Rumsey et al.
- D493,131 S 7/2004 Lawlor et al.
- D493,394 S 7/2004 Lawlor et al.
- D498,446 S \* 11/2004 Bradley ..... D12/187
- D499,678 S \* 12/2004 Bradley ..... D12/187



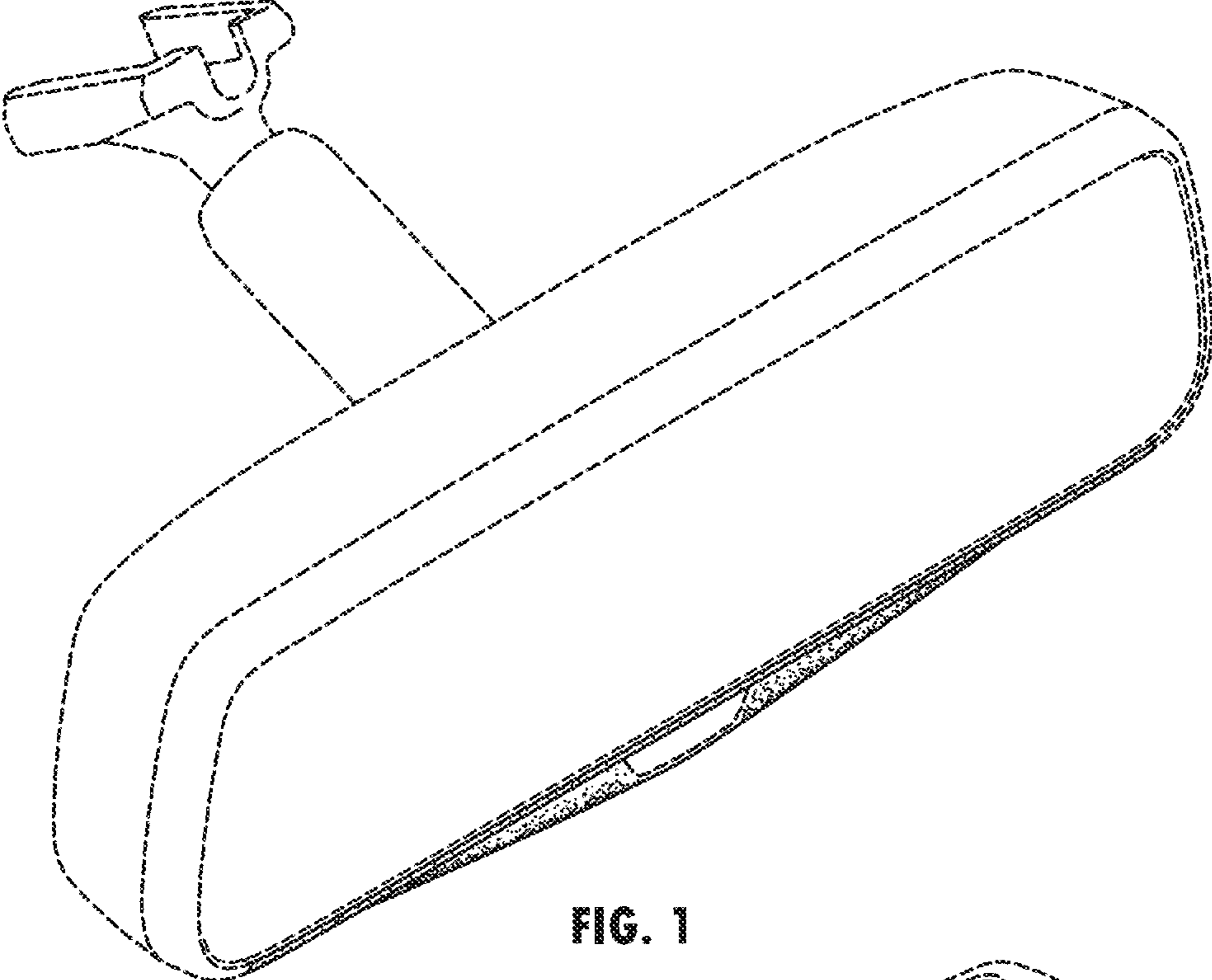


FIG. 1

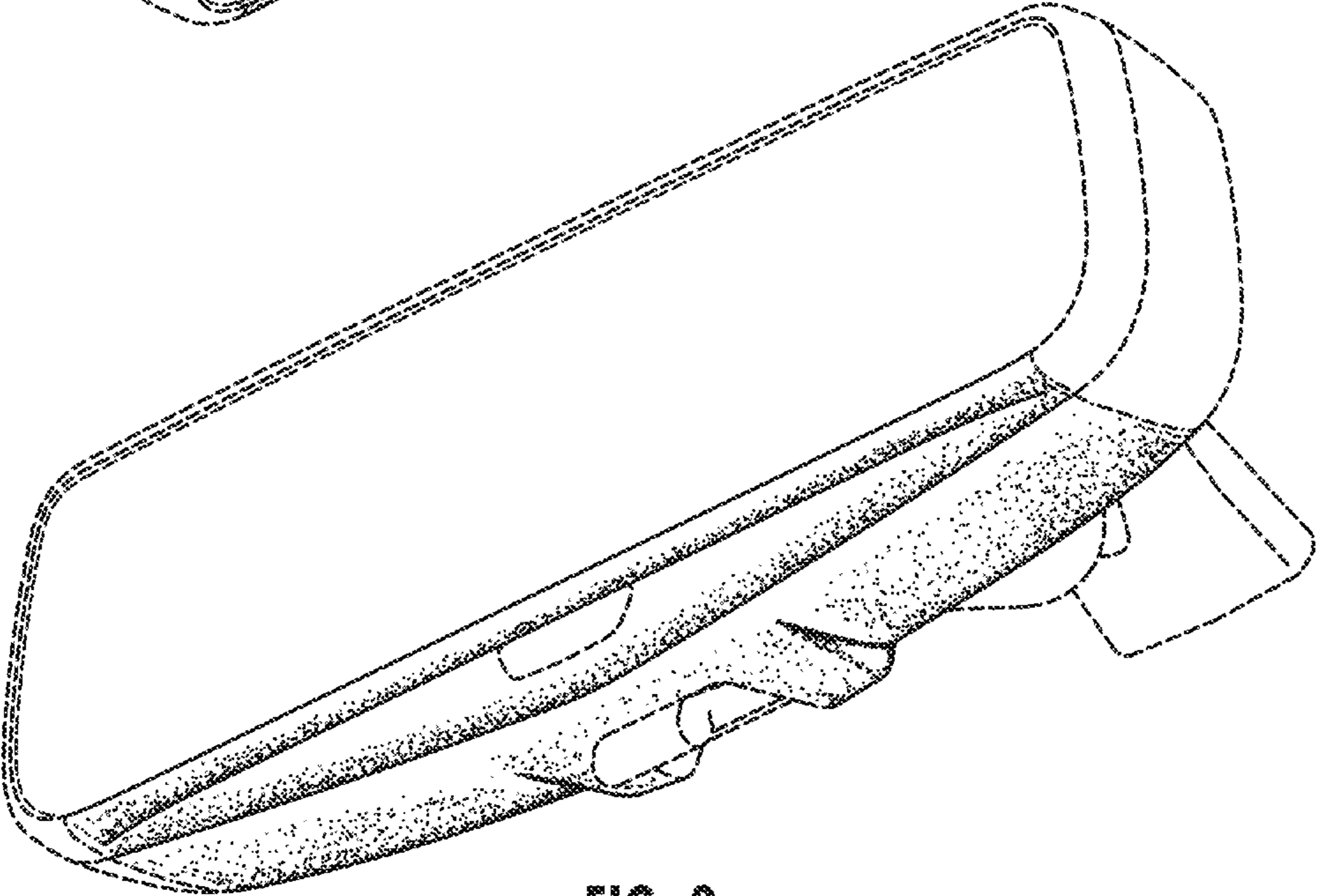


FIG. 2

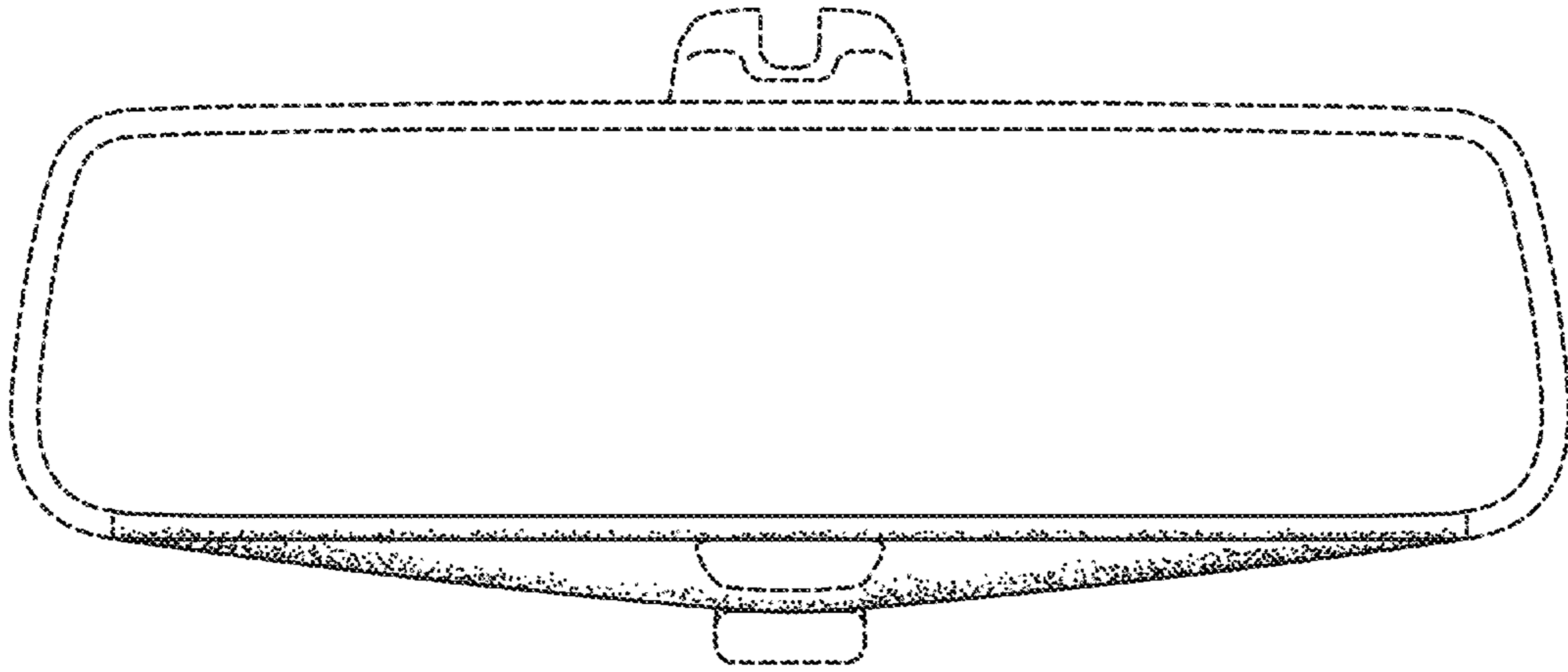


FIG. 3

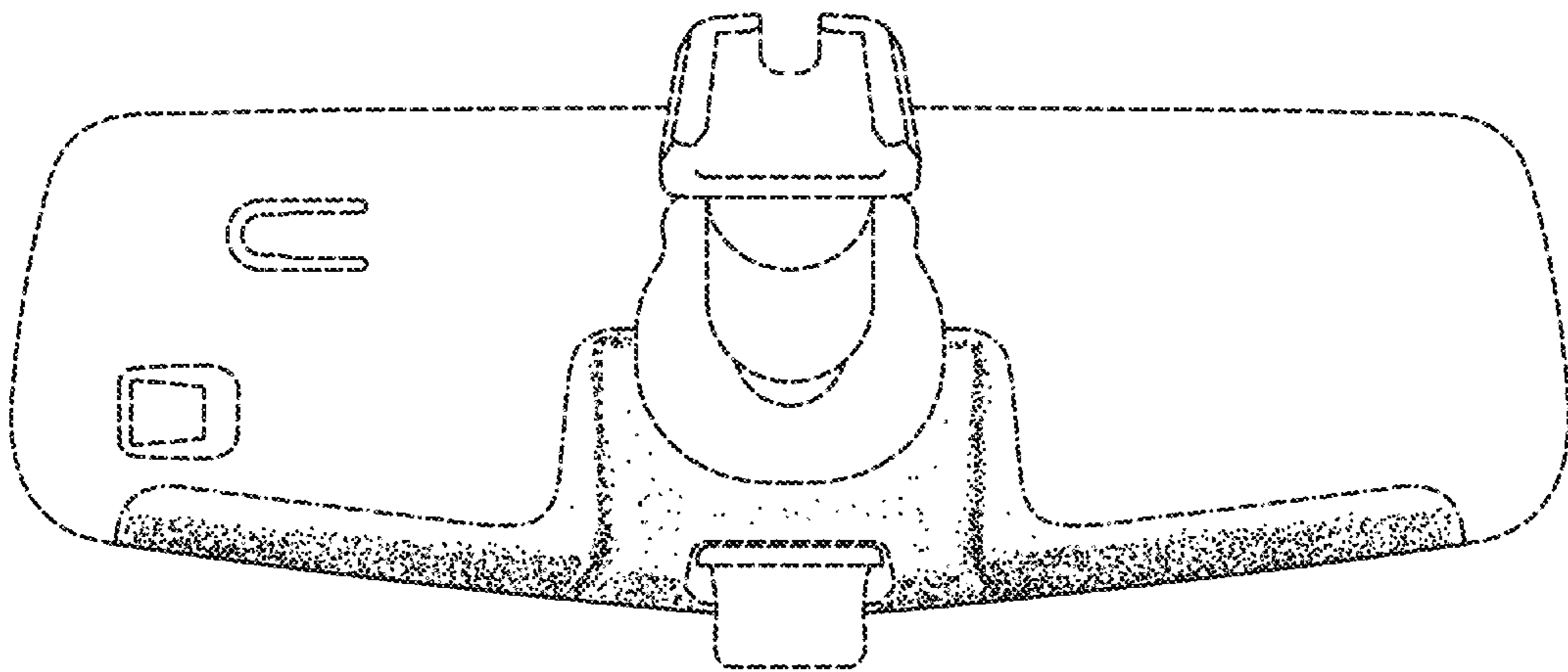


FIG. 4

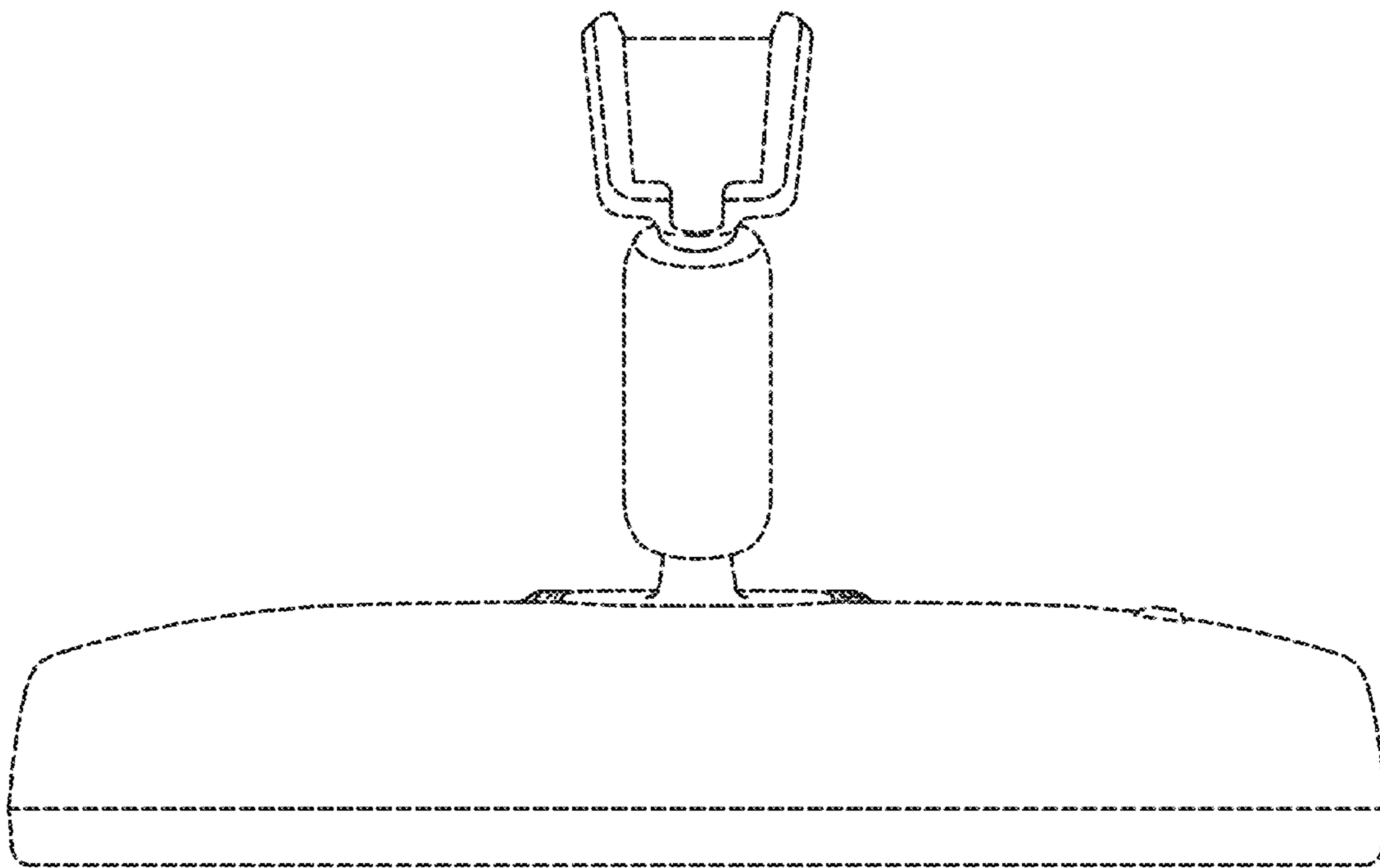


FIG. 5

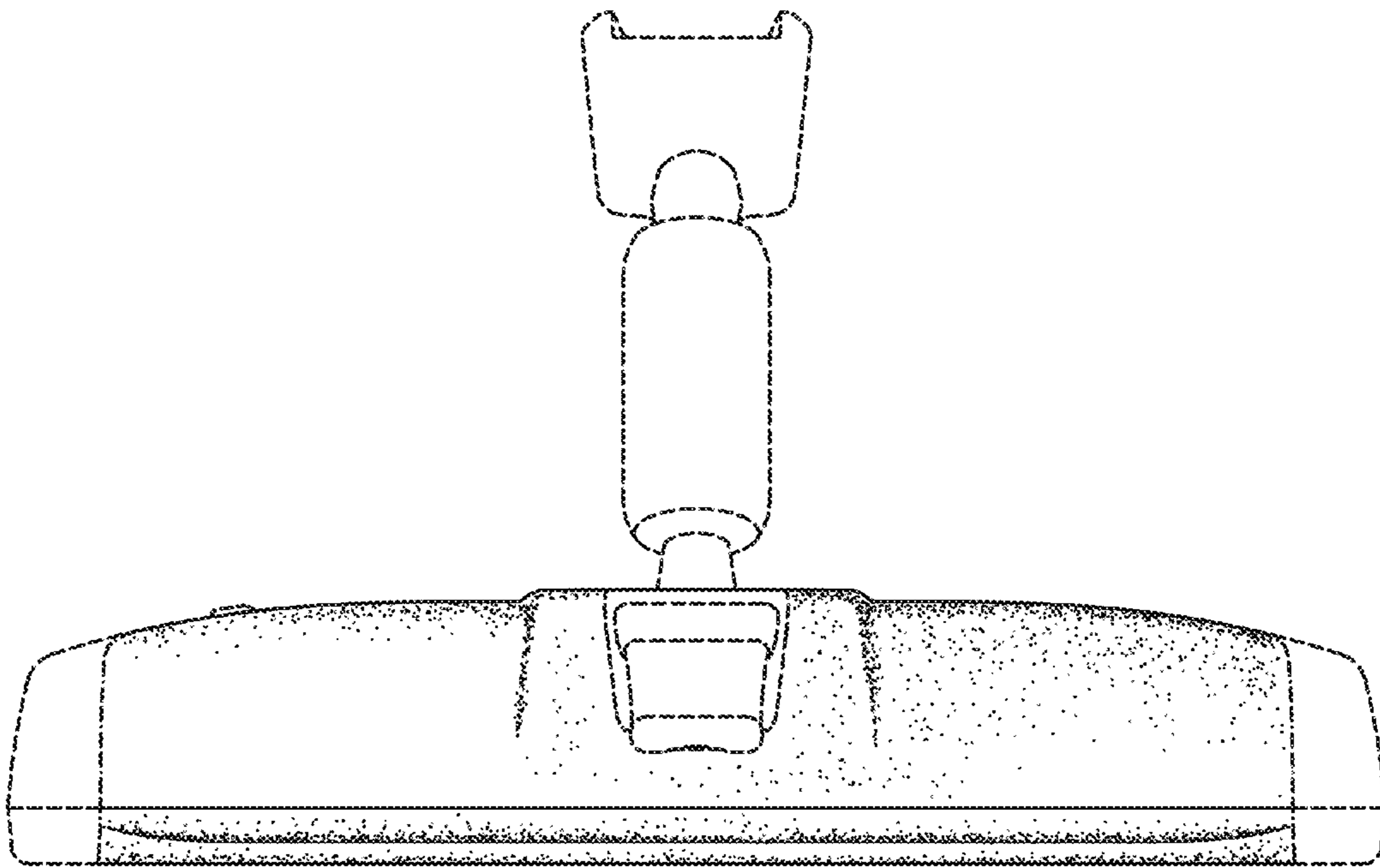


FIG. 6

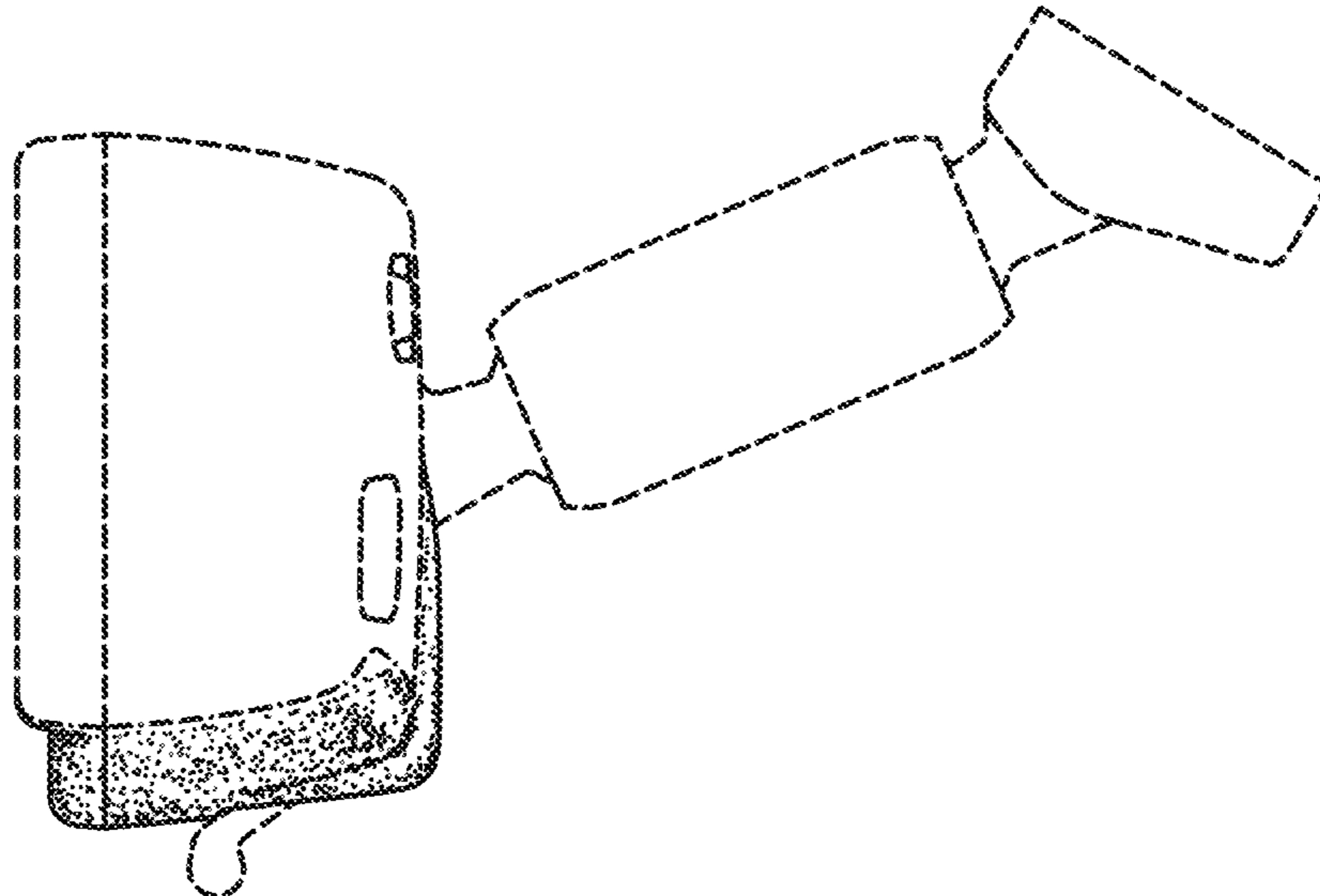


FIG. 7

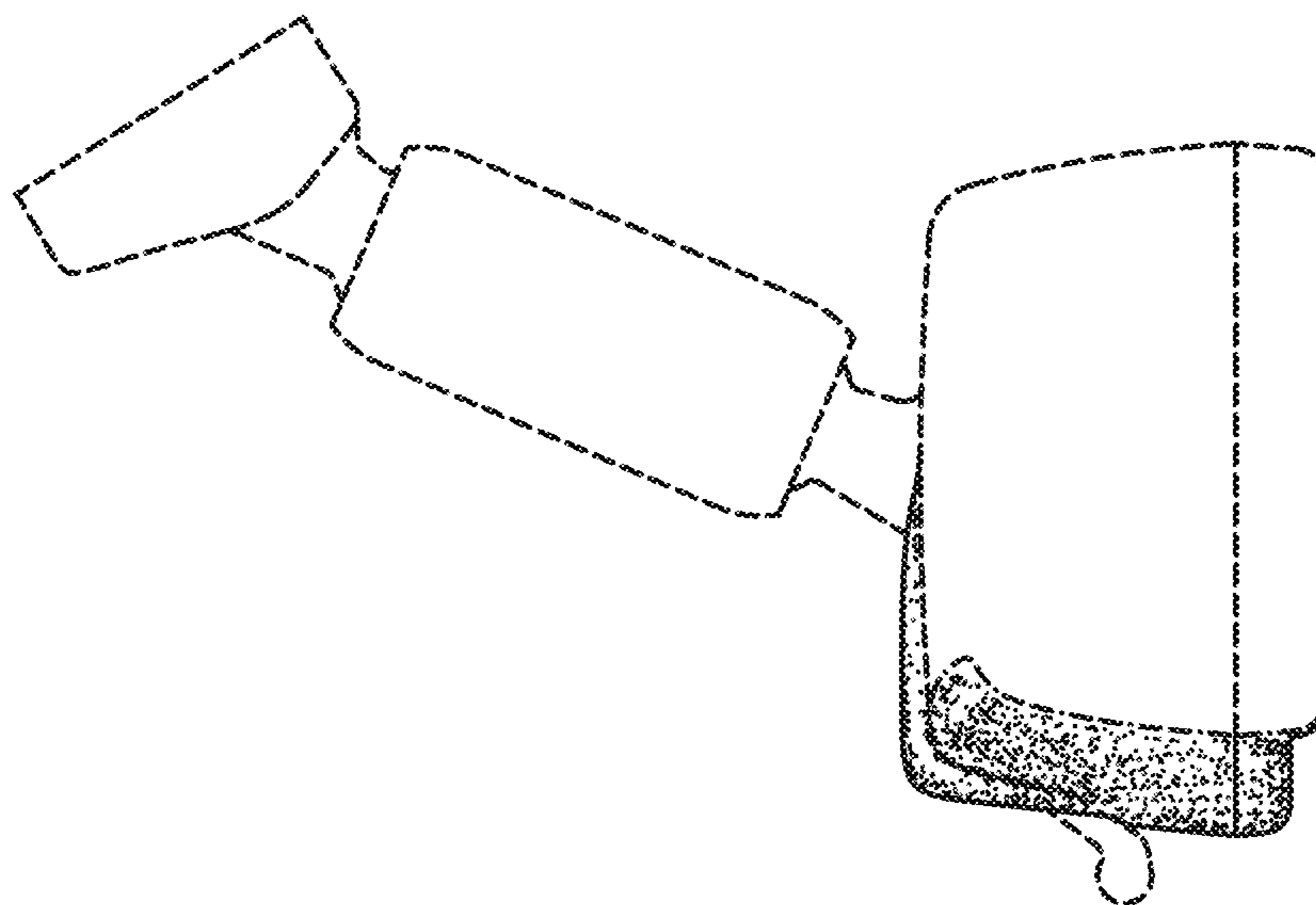


FIG. 8