



US00D746743S

(12) **United States Design Patent**  
**Behmer et al.**

(10) **Patent No.:** **US D746,743 S**  
(45) **Date of Patent:** **\*\* Jan. 5, 2016**

- (54) **VEHICLE FENDER**
- (71) Applicant: **Ford Motor Company**, Dearborn, MI (US)
- (72) Inventors: **Darrell Behmer**, Novi, MI (US); **Henry Bernardo**, Southfield, MI (US); **Damon Depeyster**, Northville, MI (US)
- (73) Assignee: **Ford Motor Company**, Dearborn, MI (US)
- (\*\*) Term: **14 Years**
- (21) Appl. No.: **29/508,851**
- (22) Filed: **Nov. 12, 2014**
- (51) **LOC (10) Cl.** ..... **12-16**
- (52) **U.S. Cl.**  
USPC ..... **D12/184**
- (58) **Field of Classification Search**  
USPC ..... D12/90, 91, 92, 181, 184, 196;  
280/152.1, 847, 848, 849, 851;  
296/181.1, 181.5  
CPC ..... B62D 25/02; B62D 25/16; B62D 25/18;  
B62D 25/162  
See application file for complete search history.

(56) **References Cited**

U.S. PATENT DOCUMENTS

|           |      |         |          |       |                       |
|-----------|------|---------|----------|-------|-----------------------|
| 4,030,773 | A *  | 6/1977  | Meixner  | ..... | B62D 25/16<br>280/848 |
| 7,013,951 | B2 * | 3/2006  | Bauer    | ..... | B60K 11/08<br>165/41  |
| D562,202  | S *  | 2/2008  | Tant     | ..... | D12/184               |
| D584,996  | S *  | 1/2009  | Jamieson | ..... | D12/91                |
| D600,614  | S *  | 9/2009  | Lamm     | ..... | D12/184               |
| D610,512  | S *  | 2/2010  | Bucher   | ..... | D12/184               |
| D615,013  | S *  | 5/2010  | Lamm     | ..... | D12/181               |
| 7,984,944 | B2 * | 7/2011  | Mildner  | ..... | B62D 25/16<br>296/198 |
| D642,966  | S *  | 8/2011  | Messale  | ..... | D12/181               |
| D669,405  | S *  | 10/2012 | Gifford  | ..... | D12/184               |
| D685,705  | S *  | 7/2013  | Munson   | ..... | D12/184               |

|              |      |         |           |       |                          |
|--------------|------|---------|-----------|-------|--------------------------|
| D686,125     | S *  | 7/2013  | McCabe    | ..... | D12/184                  |
| D695,172     | S *  | 12/2013 | Kavaja    | ..... | D12/184                  |
| D704,607     | S *  | 5/2014  | Thurber   | ..... | D12/184                  |
| D722,930     | S *  | 2/2015  | George    | ..... | D12/184                  |
| 2009/0206633 | A1 * | 8/2009  | Feeser    | ..... | B62D 25/163<br>296/198   |
| 2009/0284046 | A1 * | 11/2009 | Mildner   | ..... | B62D 25/16<br>296/198    |
| 2010/0314518 | A1 * | 12/2010 | Steinhilb | ..... | B62D 25/163<br>248/274.1 |
| 2014/0367997 | A1 * | 12/2014 | Yamanaka  | ..... | B62D 25/163<br>296/191   |

(Continued)

OTHER PUBLICATIONS

Jason Udy. Spied: Refreshed 2016 Ford Explorer Loses Some Camo. Oct. 11, 2014 [online], [retrieved on Nov. 3, 2014] Retrieved from the Internet <URL: [http://wot.motortrend.com/1410\\_spied\\_refreshed\\_2016\\_ford\\_explorer\\_loses\\_some\\_camo.html](http://wot.motortrend.com/1410_spied_refreshed_2016_ford_explorer_loses_some_camo.html)>.

(Continued)

*Primary Examiner* — Philip S Hyder  
*Assistant Examiner* — Darlington Ly  
(74) *Attorney, Agent, or Firm* — Damian Porcari

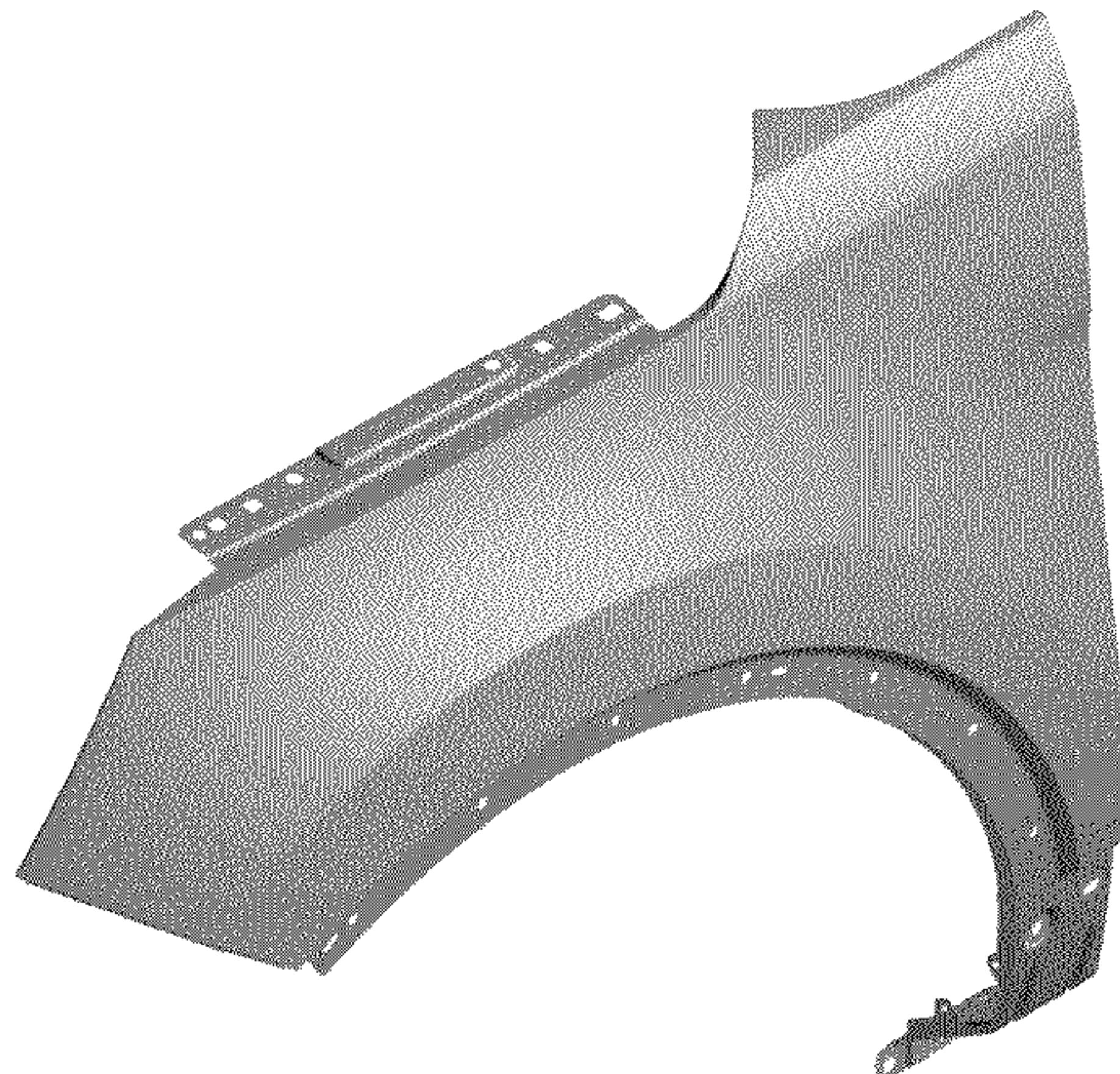
(57) **CLAIM**

The ornamental design for a vehicle fender, as shown and described.

**DESCRIPTION**

FIG. 1 is a front and left side perspective view of the left vehicle fender (the right vehicle fender being a mirror image and is not shown);  
FIG. 2 is a rear and left side perspective view thereof;  
FIG. 3 is a rear and right side perspective view thereof;  
FIG. 4 is a front elevational view thereof;  
FIG. 5 is a rear elevational view thereof;  
FIG. 6 is a left side elevational view thereof;  
FIG. 7 is a right side elevational view thereof;  
FIG. 8 is a top plan view thereof; and,  
FIG. 9 is a bottom plan view thereof.

**1 Claim, 9 Drawing Sheets**



(56)

**References Cited**

U.S. PATENT DOCUMENTS

2015/0021956 A1\* 1/2015 Courtright ..... B62D 25/082  
296/203.03  
2015/0035317 A1\* 2/2015 Aitharaju ..... B62D 25/163  
296/187.03  
2015/0108792 A1\* 4/2015 Mildner ..... B60K 15/05  
296/198  
2015/0158531 A1\* 6/2015 Iwano ..... B62D 25/08  
296/198

2015/0251614 A1\* 9/2015 Boksebeld ..... B60R 19/24  
293/155

OTHER PUBLICATIONS

2016 Ford Explorer SUV Review. [retrieved on Nov. 3, 2014]  
Retrieved from the Internet <URL: <http://www.edmunds.com/ford/explorer/2016>>.

\* cited by examiner



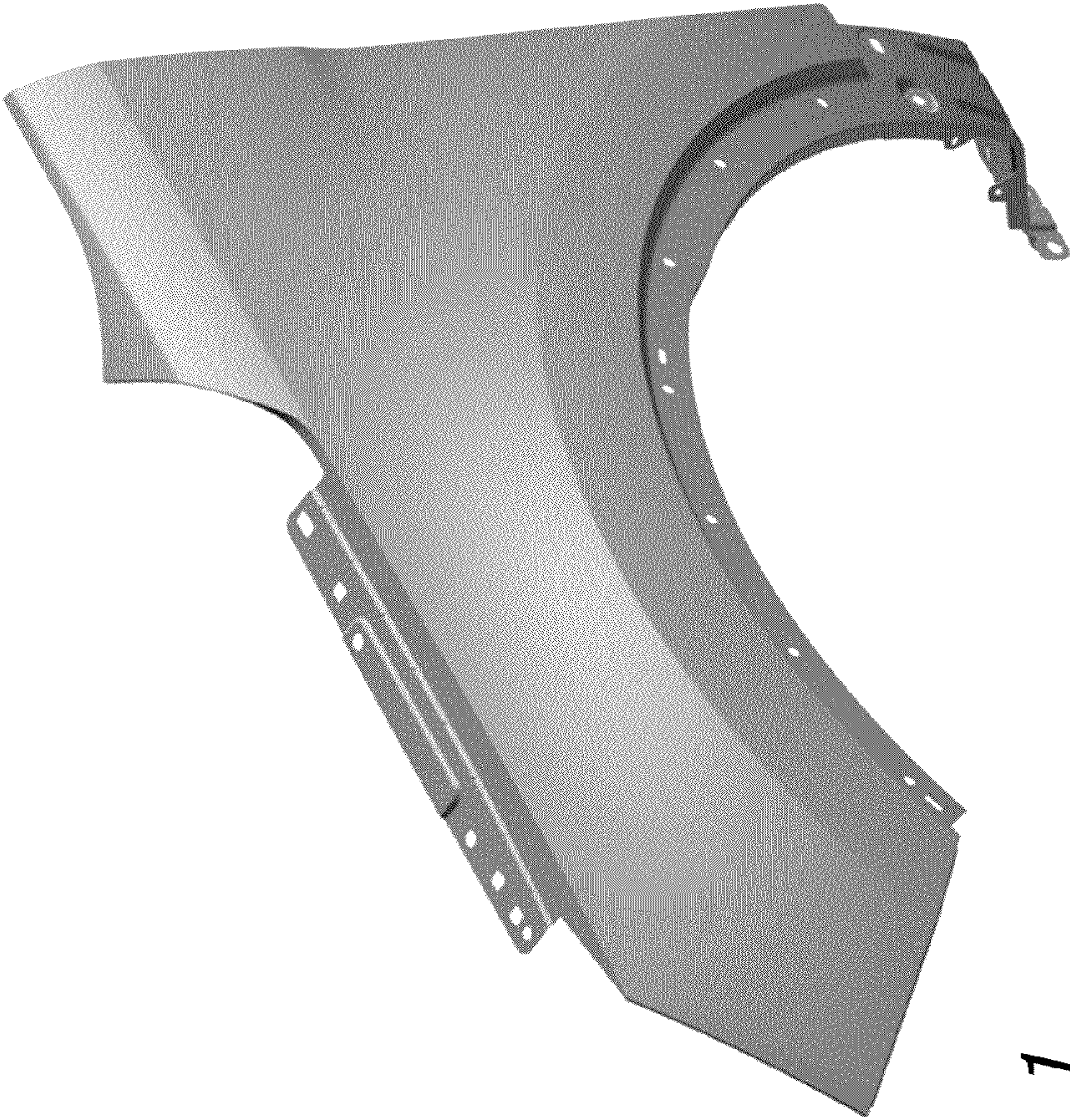


Figure 1



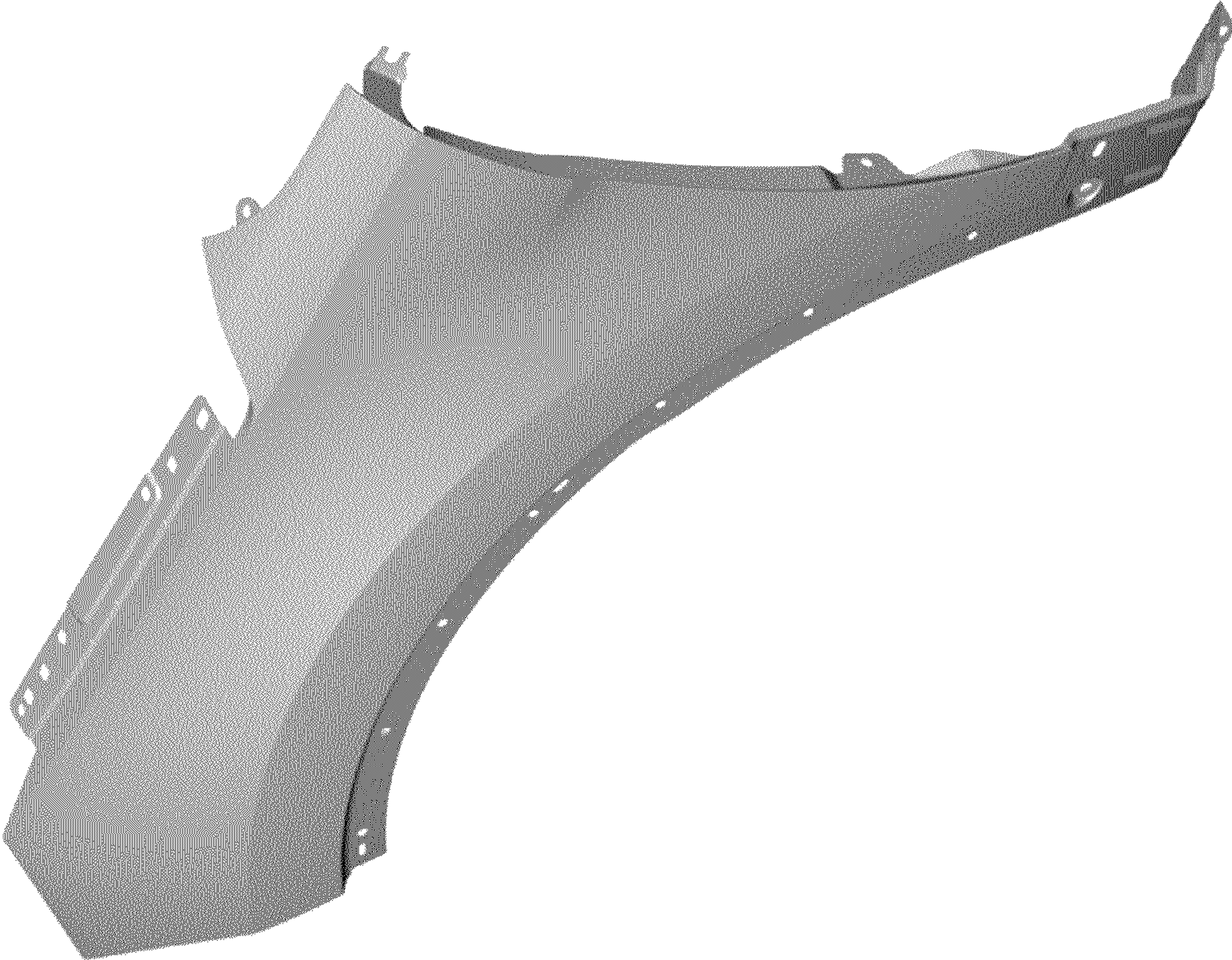


Figure 2



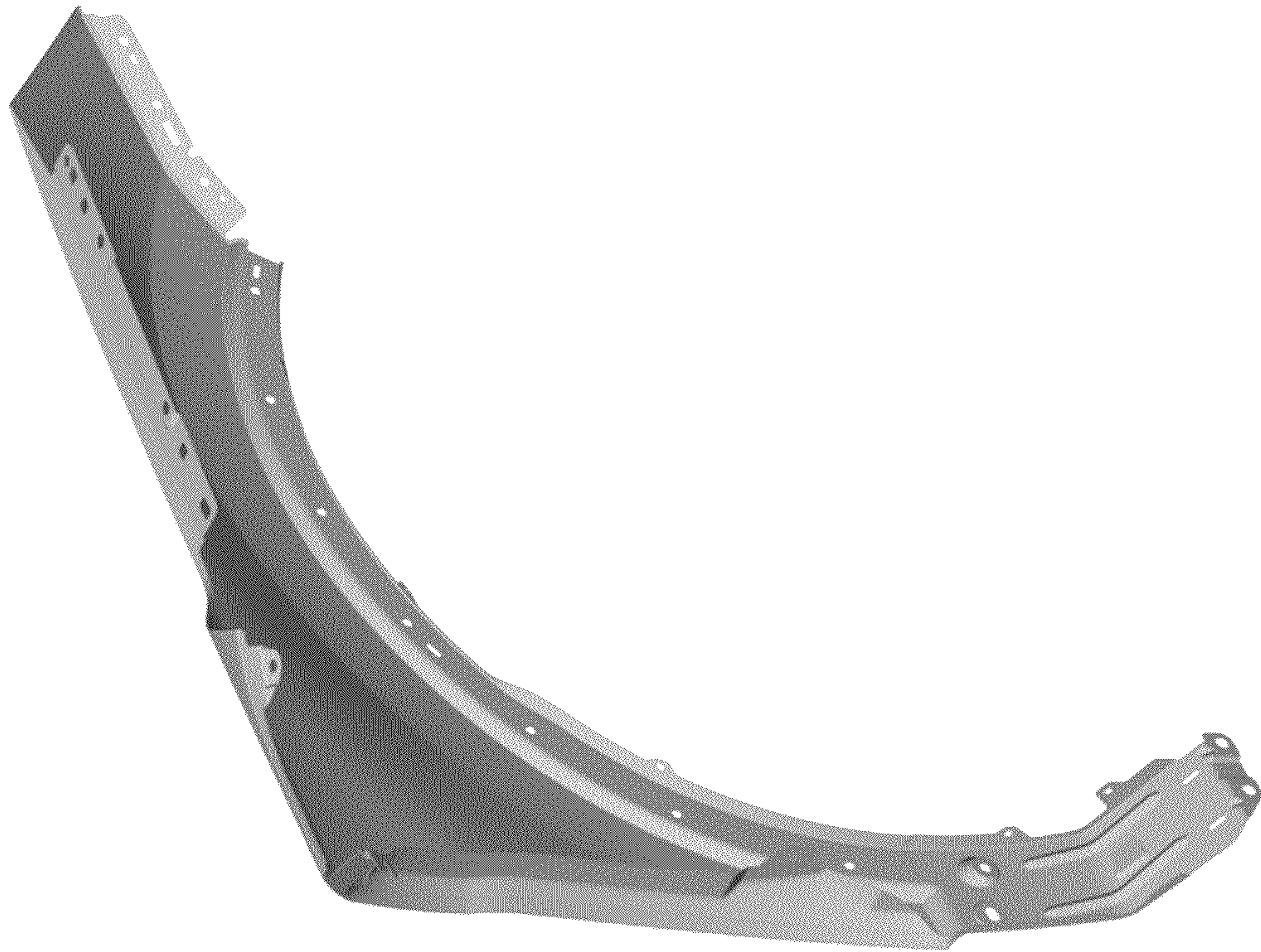
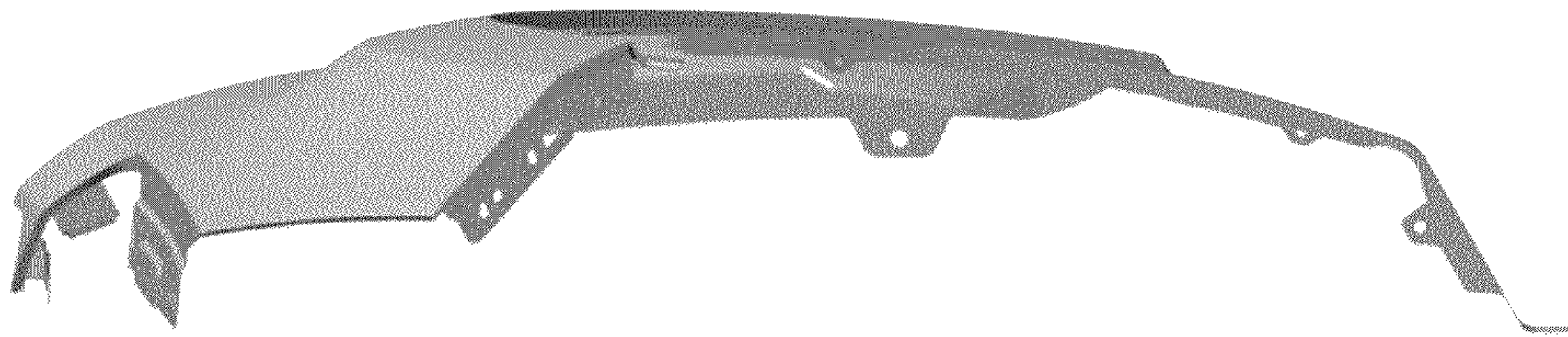


Figure 3

Figure 4



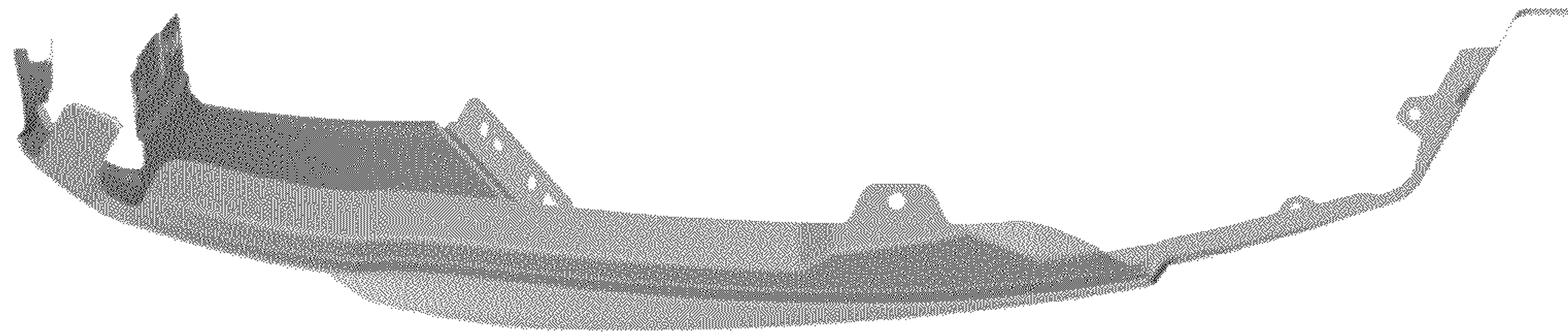


Figure 5



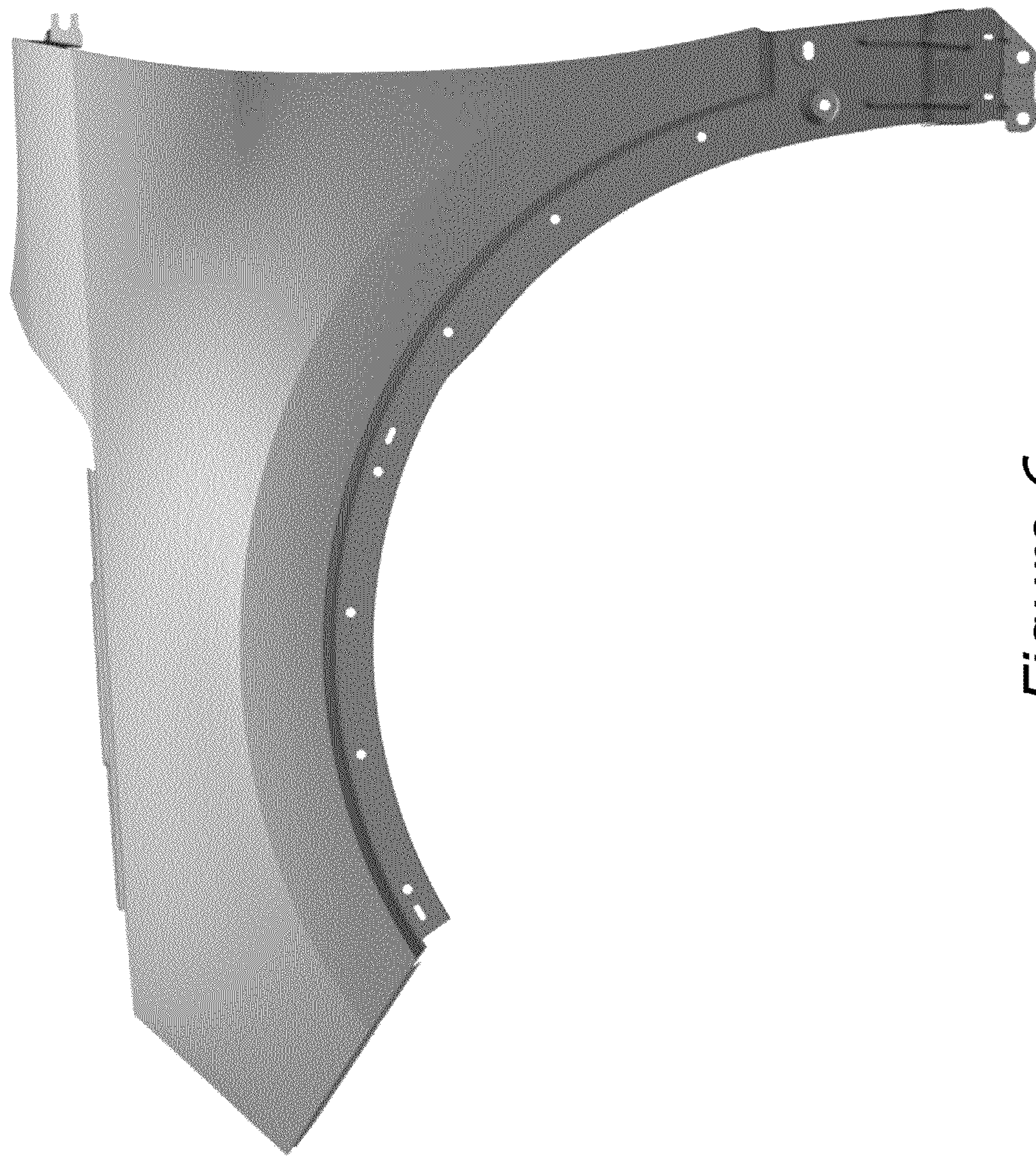


Figure 6



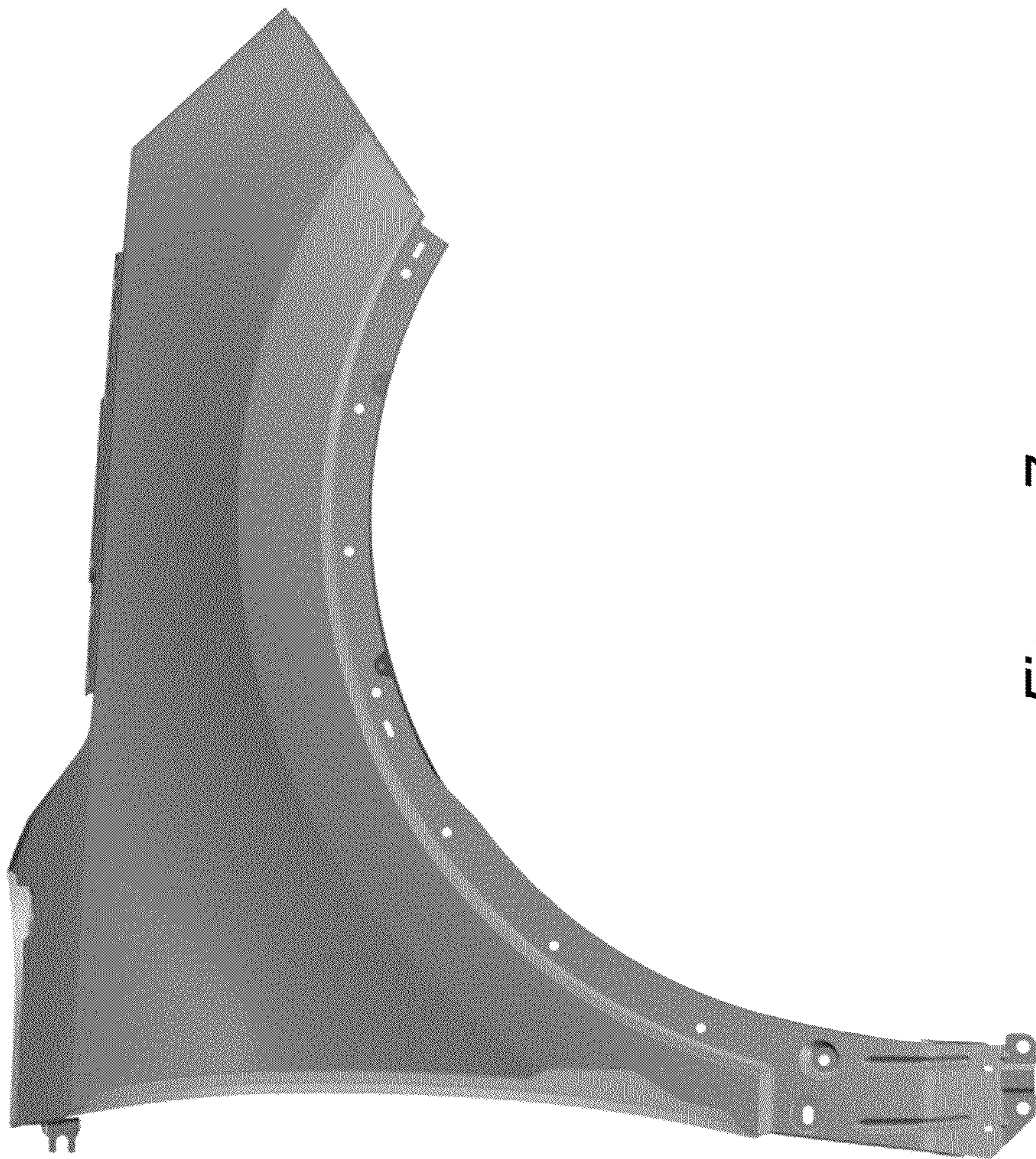


Figure 7



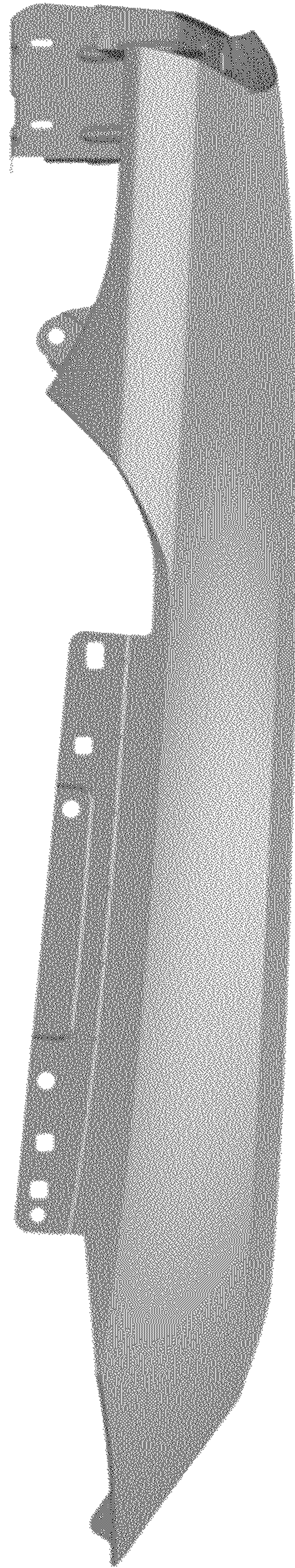


Figure 8



Figure 9

