



US00D746733S

(12) **United States Design Patent**
Behmer et al.

(10) **Patent No.:** **US D746,733 S**
(45) **Date of Patent:** **** Jan. 5, 2016**

(54) **VEHICLE FRONT UPPER BUMPER COVER**

(71) Applicant: **Ford Motor Company**, Dearborn, MI (US)

(72) Inventors: **Darrell Behmer**, Novi, MI (US); **Henry Bernardo**, Southfield, MI (US); **Damon Depeyster**, Northville, MI (US)

(73) Assignee: **Ford Motor Company**, Dearborn, MI (US)

(**) Term: **14 Years**

(21) Appl. No.: **29/508,858**

(22) Filed: **Nov. 12, 2014**

(51) **LOC (10) Cl.** **12-16**

(52) **U.S. Cl.**
USPC **D12/169**

(58) **Field of Classification Search**
USPC D12/86, 90, 91, 92, 163, 164, 169, 171, 172, 196, 216; 180/68.4, 68.6; 293/102, 293/112, 113, 115, 117, 120; 296/180.1, 296/180.2

CPC B60R 19/02; B60R 19/18; B60R 19/24; B60R 19/56; B60R 2019/007; B62D 25/0845
See application file for complete search history.

(56) **References Cited**

U.S. PATENT DOCUMENTS

D452,206 S *	12/2001	Fujii	D12/169
D607,382 S *	1/2010	Nakahara	D12/169
D610,501 S	2/2010	Bucher et al.		
D641,296 S *	7/2011	Schell	D12/169
D682,166 S *	5/2013	Minami	D12/169
D700,114 S *	2/2014	Wada	D12/169
D701,152 S *	3/2014	Saracoglu	D12/169
D703,117 S *	4/2014	Osborne	D12/169
D712,801 S *	9/2014	Kobayashi	D12/169
D719,072 S *	12/2014	Robinson	D12/169
D721,021 S *	1/2015	Hanaoka	D12/169
D721,624 S *	1/2015	George	D12/169
D722,925 S *	2/2015	Kato	D12/169
D727,225 S *	4/2015	Rupar	D12/169

D731,369 S *	6/2015	Duff	D12/169
D732,443 S *	6/2015	Won	D12/169
D733,624 S *	7/2015	Morikawa	D12/169
2008/0079271 A1 *	4/2008	Maruko	B60R 19/52 293/102
2009/0115205 A1 *	5/2009	Steller	B60R 19/12 293/115
2011/0049913 A1 *	3/2011	Bernt	B62D 35/005 293/102
2012/0292931 A1 *	11/2012	Mizoguchi	B60R 19/24 293/102
2013/0134740 A1 *	5/2013	Hirose	B60K 11/08 296/193.1

OTHER PUBLICATIONS

Jason Udy. Spied: Refreshed 2016 Ford Explorer Loses Some Camo. Oct. 11, 2014 [online], [retrieved on Nov. 3, 2014] Retrieved from the Internet <URL: http://wot.motortrend.com/1410_spied_refreshed_2016_ford_explorer_loses_some_camo.html>.

2016 Ford Explorer SUV Review. [retrieved on Nov. 3, 2014] Retrieved from the Internet <URL: <http://www.edmunds.com/ford/explorer/2016/>>.

* cited by examiner

Primary Examiner — Philip S Hyder

Assistant Examiner — Darlington Ly

(74) *Attorney, Agent, or Firm* — Damian Porcari

(57) **CLAIM**

The ornamental design for a vehicle front upper bumper cover, as shown and described.

DESCRIPTION

FIG. 1 is a top left perspective view of a vehicle front upper bumper cover;

FIG. 2 is a top right perspective view thereof;

FIG. 3 is a top rear perspective view thereof;

FIG. 4 is a front elevational view thereof;

FIG. 5 is a rear elevational view thereof;

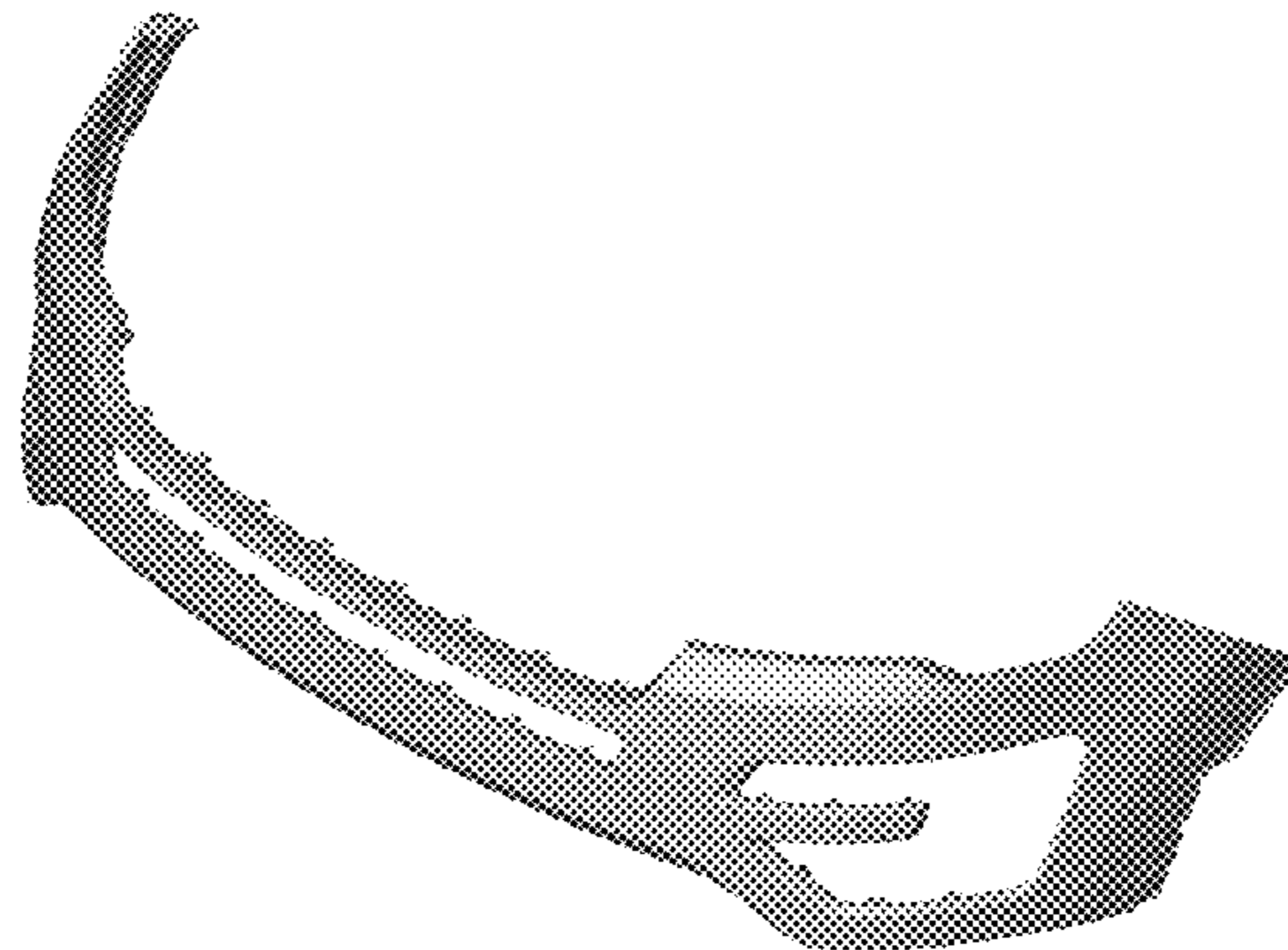
FIG. 6 is a left side elevational view thereof;

FIG. 7 is a right side elevational view thereof;

FIG. 8 is a top plan view thereof; and,

FIG. 9 is a bottom plan view thereof.

1 Claim, 9 Drawing Sheets



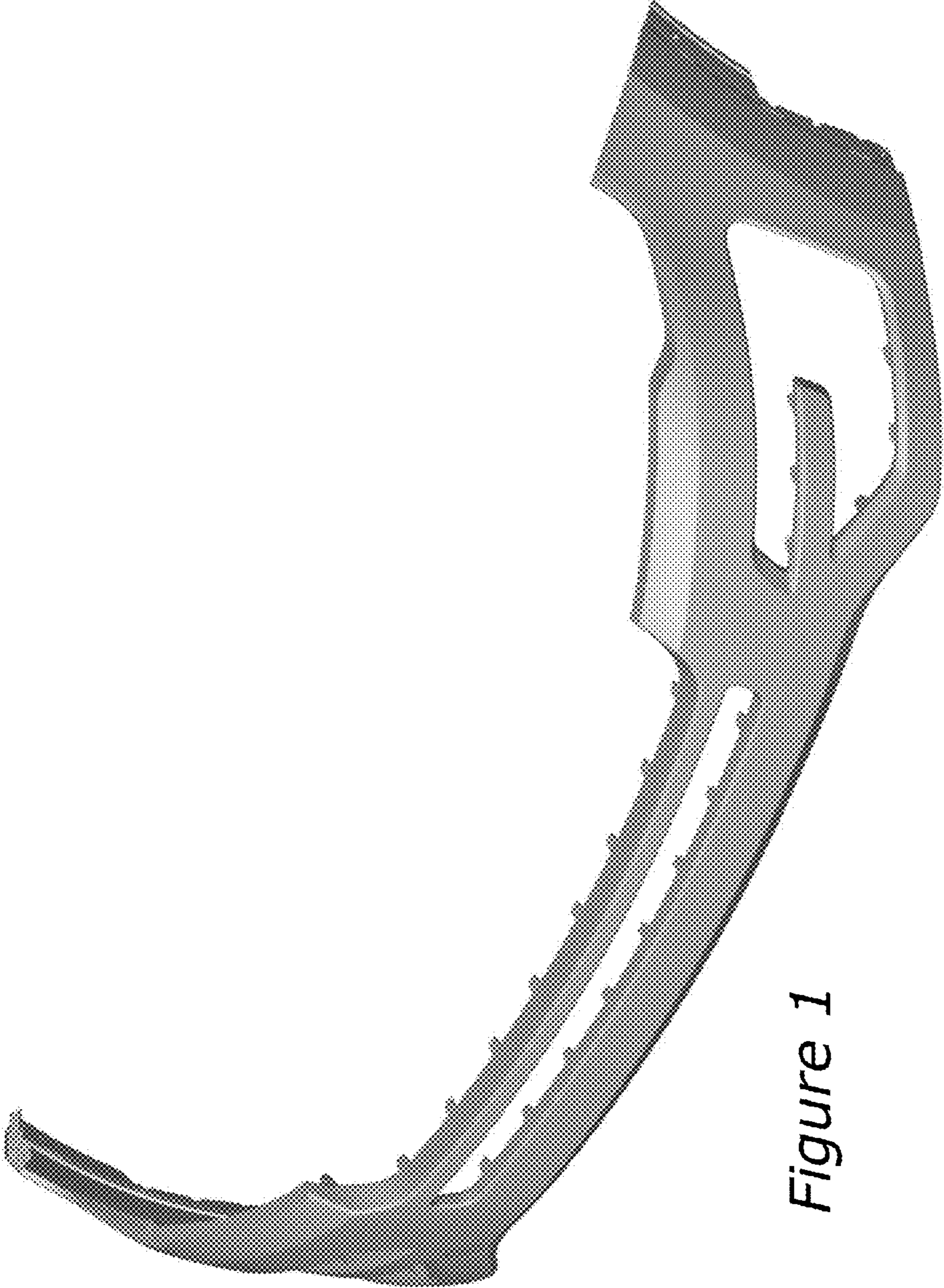


Figure 1

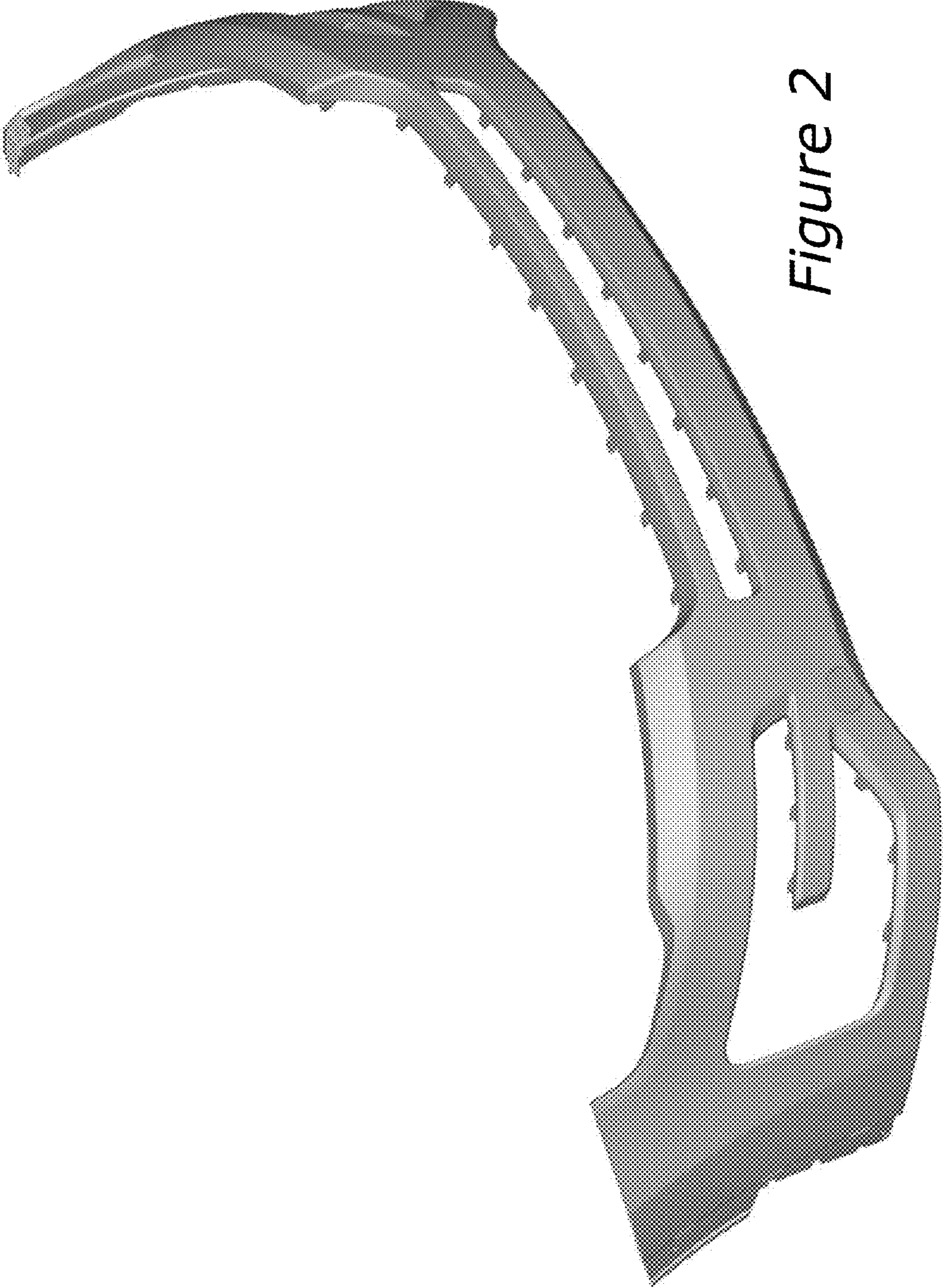


Figure 2

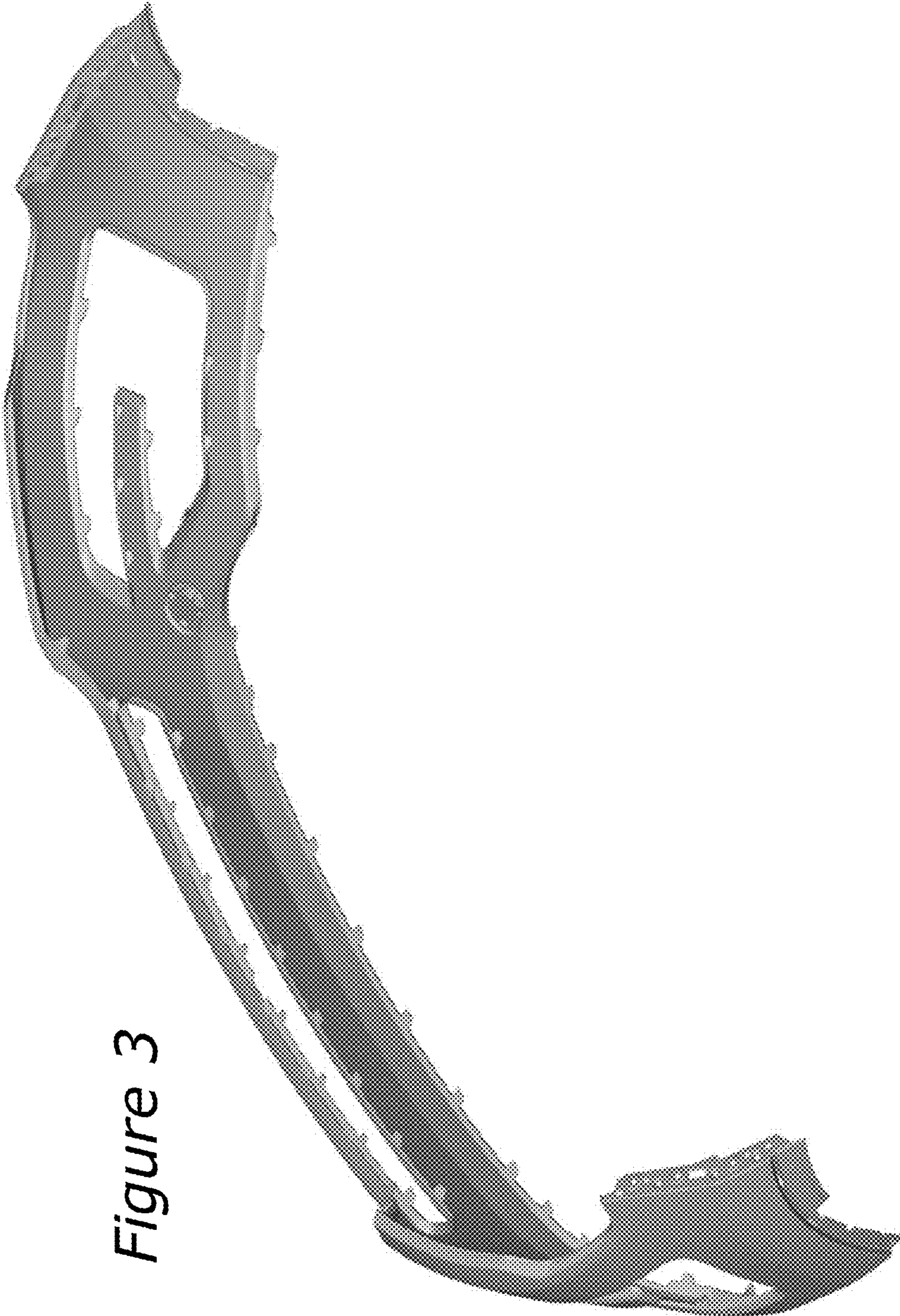


Figure 3

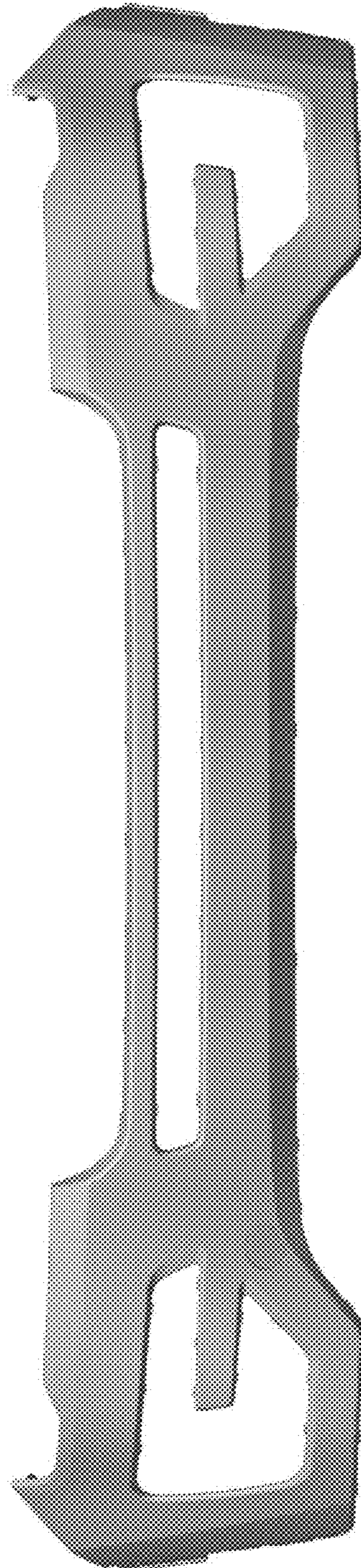


Figure 4

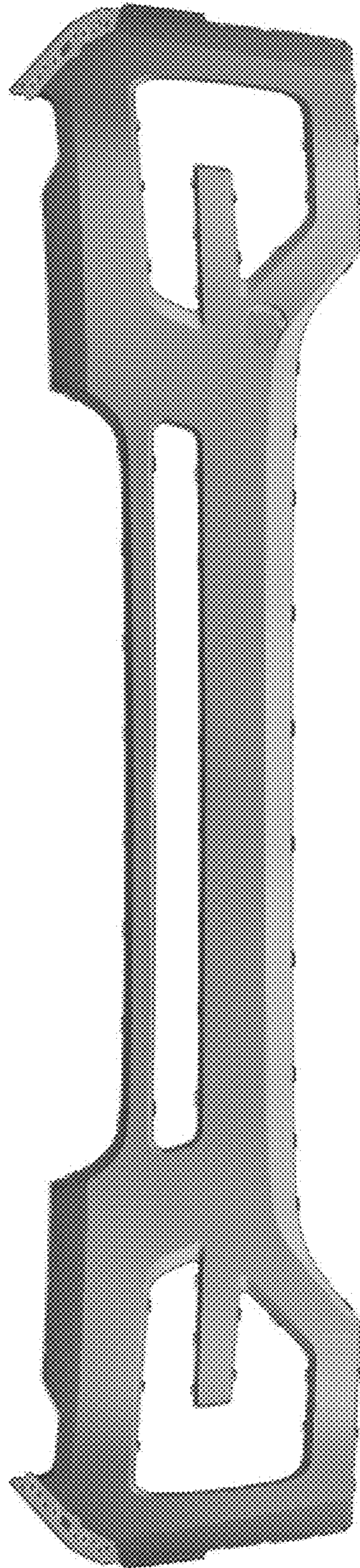


Figure 5

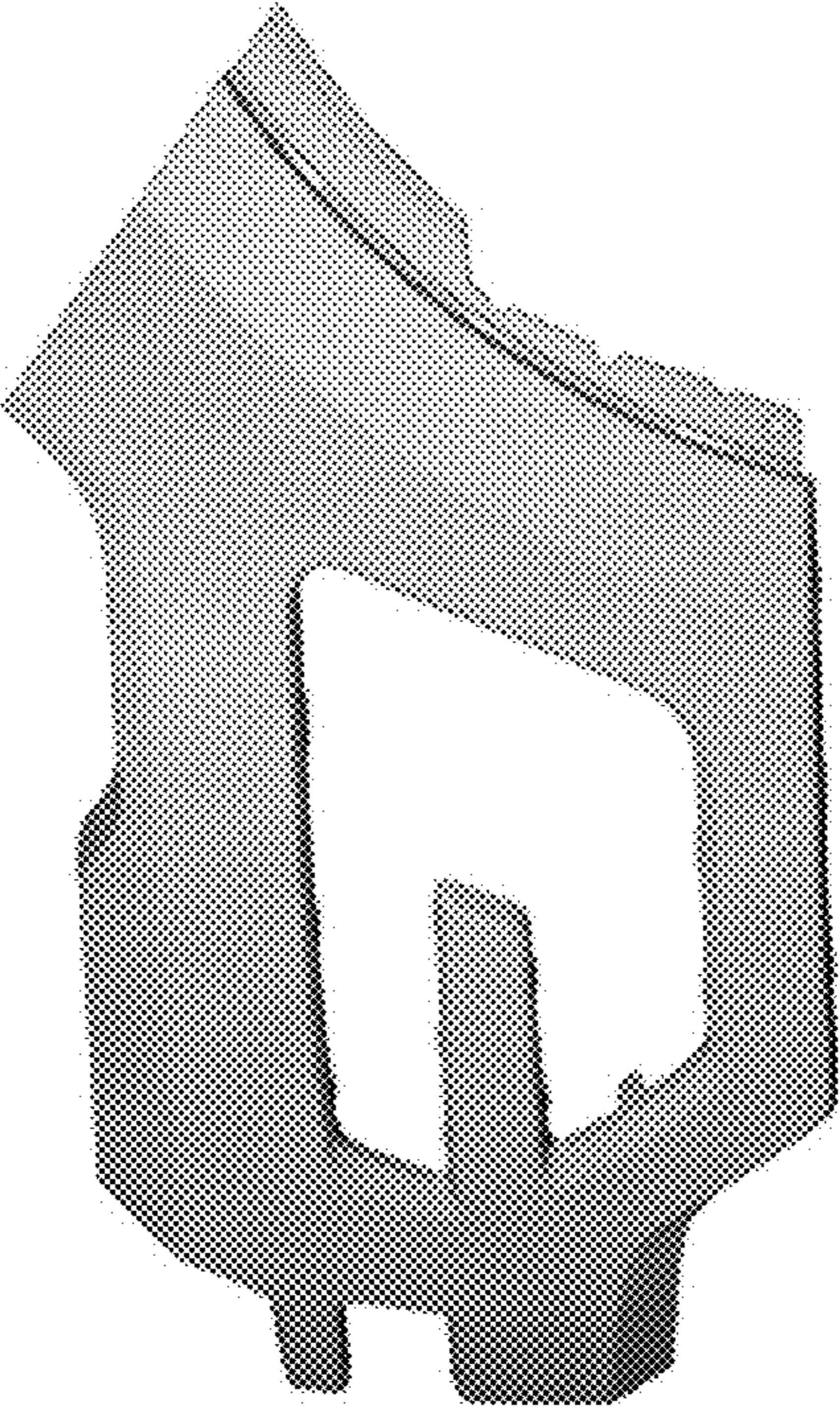


Figure 6

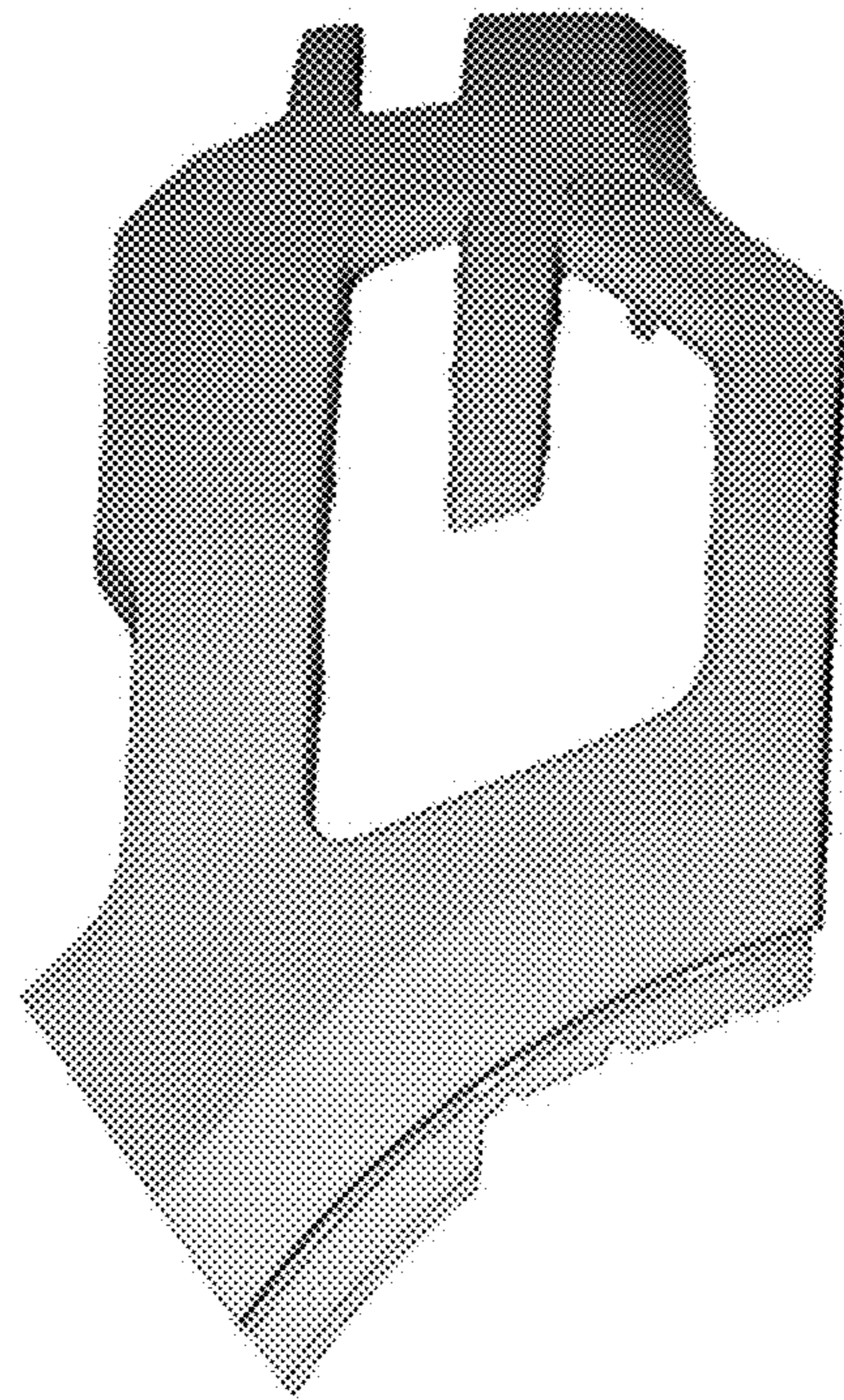


Figure 7

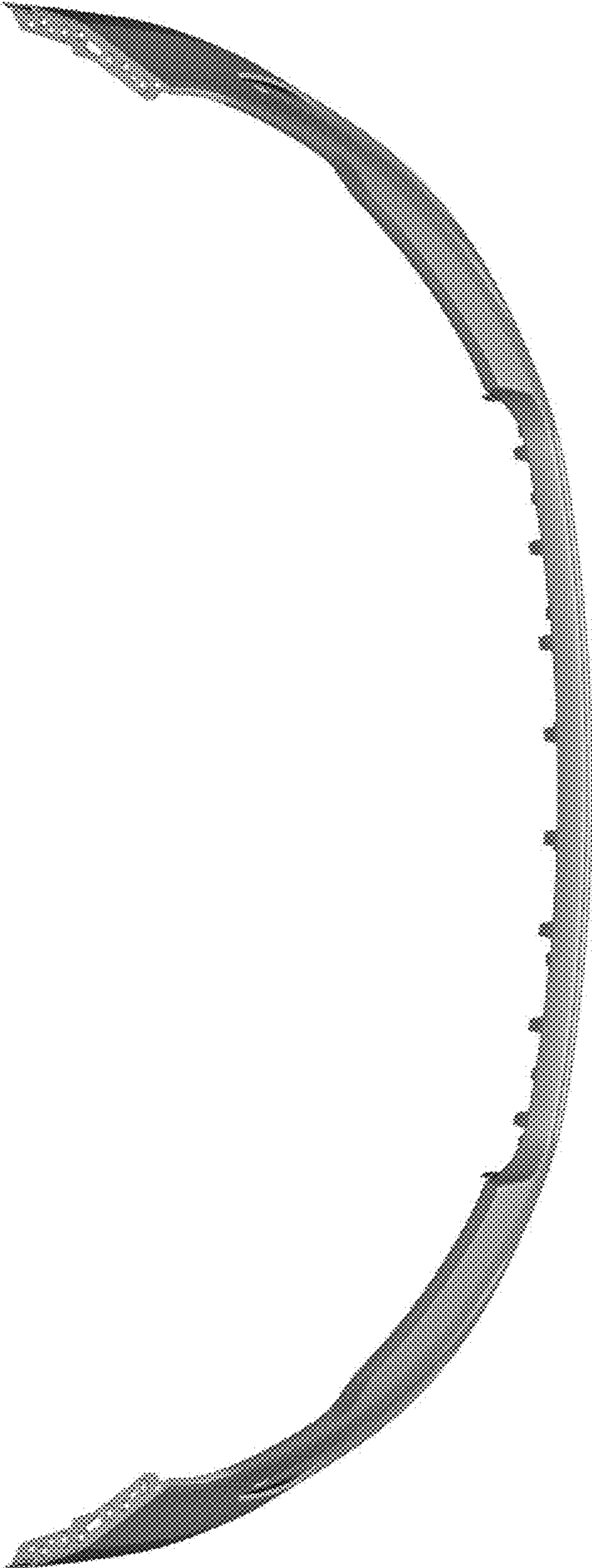


Figure 8

Figure 9

