



US00D746732S

(12) **United States Design Patent**
Pruitt

(10) **Patent No.:** **US D746,732 S**
(45) **Date of Patent:** **** Jan. 5, 2016**

(54) **BOLT-ON RADIATOR**
(71) Applicant: **Randall Industries, Inc.**, Romulus, MI (US)
(72) Inventor: **John R. Pruitt**, Riverview, MI (US)
(73) Assignee: **Randall Industries, Inc.**, Romulus, MI (US)

4,756,361 A 7/1988 Lesage
4,776,417 A 10/1988 Takeuchi et al.
4,926,934 A 5/1990 Ivy
5,183,103 A * 2/1993 Tokutake F28F 9/002
165/149

5,360,059 A 11/1994 Olson
5,613,551 A 3/1997 Rhodes

(Continued)

(**) Term: **15 Years**

EP 1707421 A1 10/2006

(21) Appl. No.: **29/538,524**

OTHER PUBLICATIONS

(22) Filed: **Sep. 4, 2015**

Mishimoto Automotive. "2008-2010 Ford 6.4L Powerstroke Performance Radiator by Mishimoto . . ." YouTube., Sep. 3, 2013 [online], [retrieved on Sep. 21, 2014]. Retrieved from the Internet <URL: http://www.youtube.com/watch?v=6AyaKA_i0bE>.*

(51) **LOC (10) Cl.** **12-16**

(52) **U.S. Cl.**
USPC **D12/166**

(Continued)

(58) **Field of Classification Search**
USPC D12/164, 165, 166; 165/67, 140, 148, 165/149; 180/68.4; 228/183
CPC F28F 9/001; F28D 1/05366; F28D 1/0435
See application file for complete search history.

Primary Examiner — Darlington Ly
(74) *Attorney, Agent, or Firm* — Bill C. Martin; J. Scott Martin; Butzel Long, P.C.

(56) **References Cited**

(57) **CLAIM**

U.S. PATENT DOCUMENTS

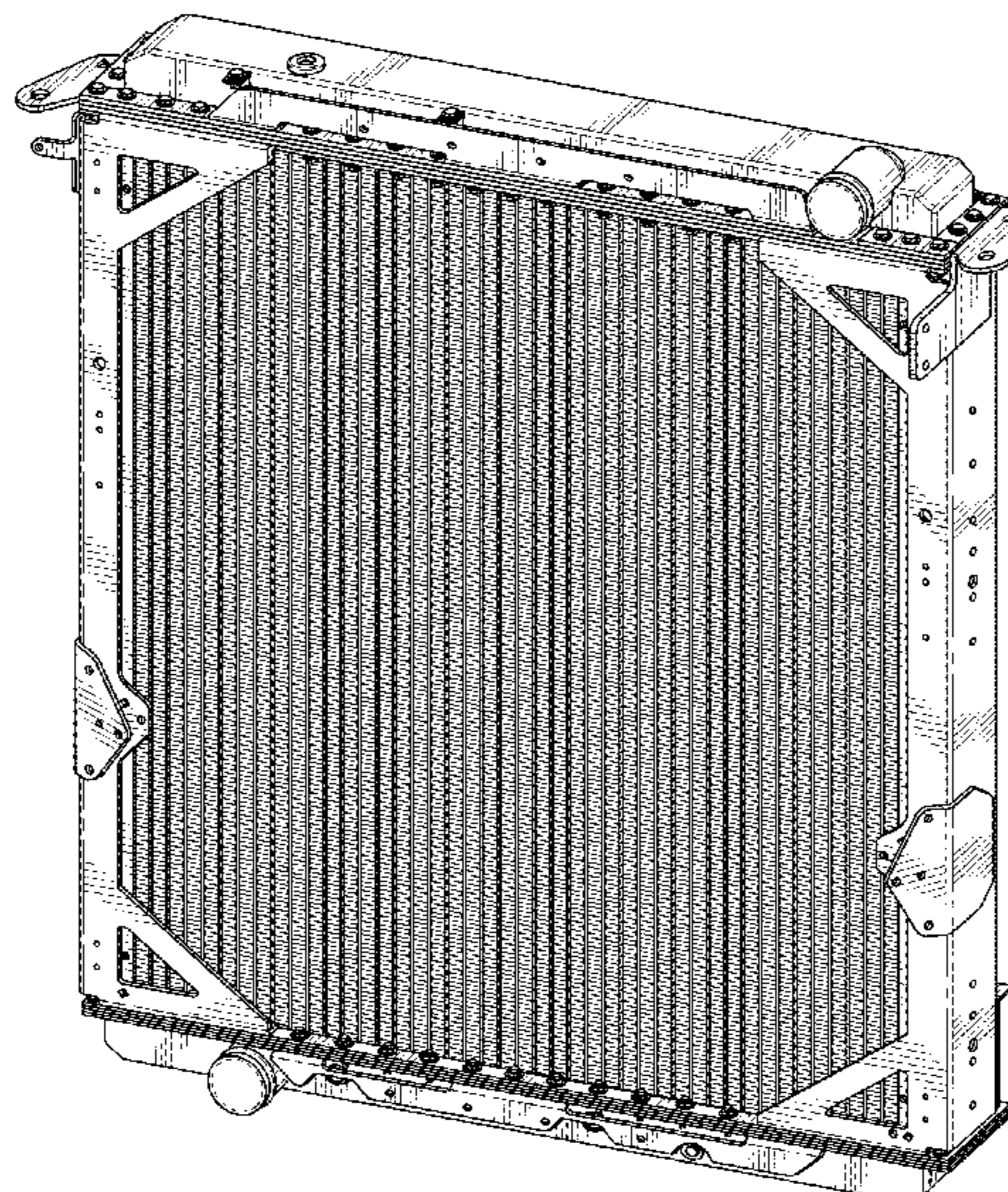
The ornamental design for a bolt-on radiator, as shown and described.

294,707 A	3/1884	Wentworth	
517,193 A	3/1894	Ratsey	
1,344,351 A	6/1920	Norelius et al.	
2,065,515 A	12/1936	Cornell, Jr.	
3,123,170 A	3/1964	Bryant	
3,165,151 A	1/1965	Astrup et al.	
3,982,587 A	9/1976	Tramontini	
4,137,982 A	2/1979	Crews et al.	
4,140,177 A	2/1979	Ivie, Sr.	
4,169,501 A	10/1979	Takeuchi et al.	
D263,461 S *	3/1982	Young D12/166	
4,382,464 A	5/1983	Melnyk	
4,420,058 A	12/1983	Sato et al.	
4,540,044 A	9/1985	Lenz	
4,619,313 A	10/1986	Rhodes et al.	
4,730,668 A	3/1988	LeMaster	

DESCRIPTION

FIG. 1 is a front perspective view of a bolt-on radiator showing my new design;
FIG. 2 is a back perspective view thereof;
FIG. 3 is a front view thereof;
FIG. 4 is a back view thereof;
FIG. 5 is a left side elevation view thereof;
FIG. 6 is a right side elevation view thereof;
FIG. 7 is a top view thereof; and,
FIG. 8 is a bottom view thereof.

1 Claim, 6 Drawing Sheets



(56)

References Cited

U.S. PATENT DOCUMENTS

6,129,142 A 10/2000 Beldam
 6,675,921 B2 1/2004 Brown
 6,899,167 B2* 5/2005 Martins F28D 1/0435
 165/140
 7,320,360 B2* 1/2008 Leitch F28F 9/002
 165/149
 7,441,620 B2 10/2008 Riniker et al.
 7,500,514 B2* 3/2009 Heine F01P 11/08
 165/140
 7,503,380 B2 3/2009 Jakob
 7,637,309 B2* 12/2009 Contet F28D 1/0435
 165/153
 7,694,724 B2 4/2010 Kolb et al.
 D619,511 S* 7/2010 Sullivan D12/166
 7,942,223 B2 5/2011 Obayashi et al.
 8,061,410 B2* 11/2011 Machanek F28D 1/0443
 165/140
 8,376,073 B2 2/2013 Nantais et al.
 D686,543 S 7/2013 Weil
 8,646,554 B2 2/2014 Takahashi et al.

D703,126 S* 4/2014 Tafe D12/223
 D717,218 S* 11/2014 Tafe D12/166
 D717,702 S* 11/2014 McCardle D12/166
 9,090,159 B2 7/2015 Pruitt
 2002/0056541 A1* 5/2002 Kokubunji B60K 11/04
 165/67
 2005/0029028 A1 2/2005 Steinmacher
 2006/0213640 A1 9/2006 Matsuoka et al.
 2008/0164015 A1 7/2008 Papapanu
 2010/0059214 A1* 3/2010 Xu F28D 1/05366
 165/148
 2010/0163324 A1 7/2010 Jyoutaki et al.
 2011/0155358 A1 6/2011 Galahroudi et al.

OTHER PUBLICATIONS

“2011-2014 Ford 6.7L Powerstroke Performance Aluminum Radiator, Part 2: Prototype Design . . .” Mishimoto Engineering., Aug. 29, 2014 [online], [retrieved on Sep. 21, 2014]. Retrieved from the Internet <URL: <http://engineering.mishimoto.com/2014/08/2011-2014-ford-6-7l-powerstroke-performance-aluminum-radiator-part-2-prototype-design-evaluation/>>.*

* cited by examiner

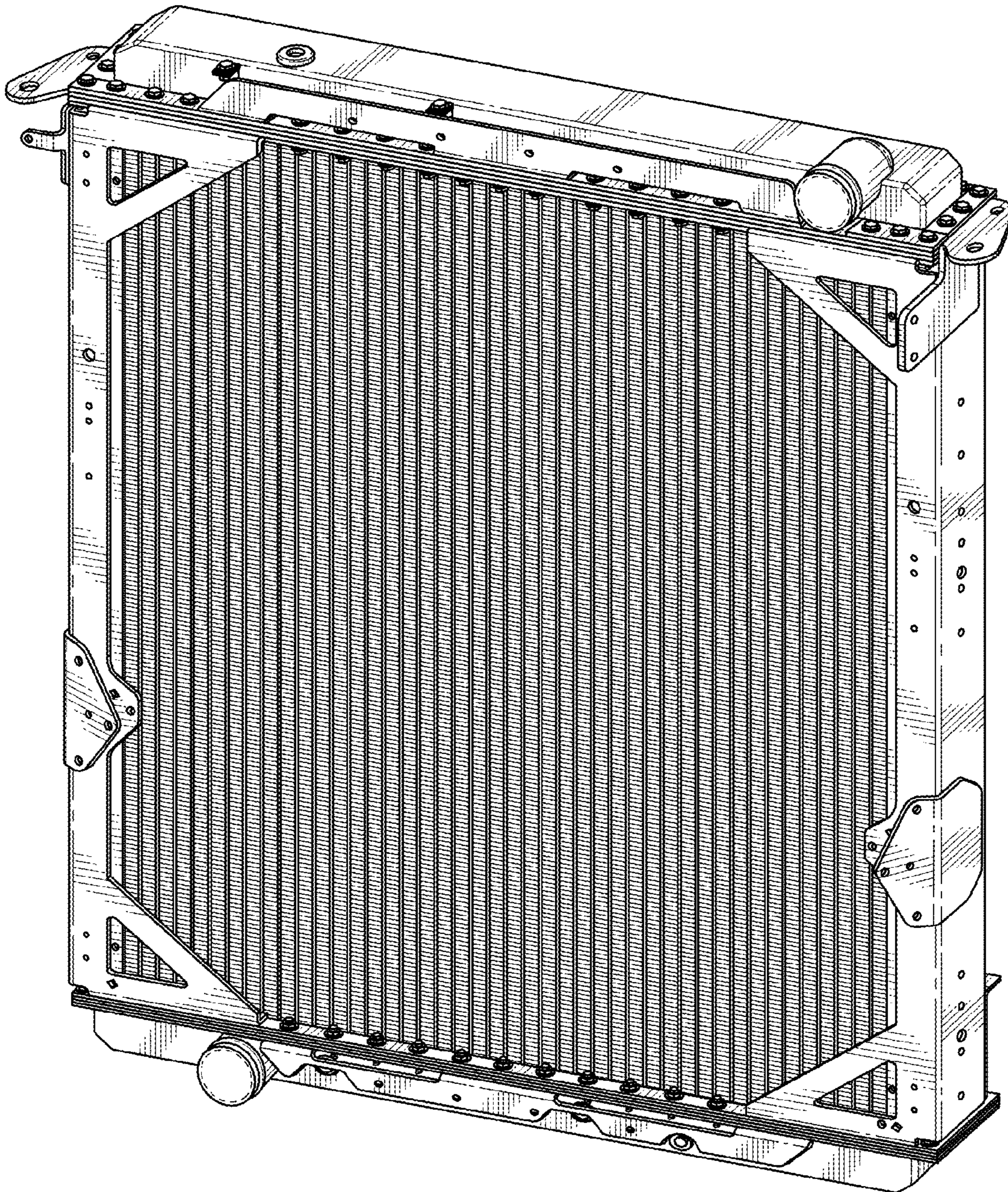


FIG. 1

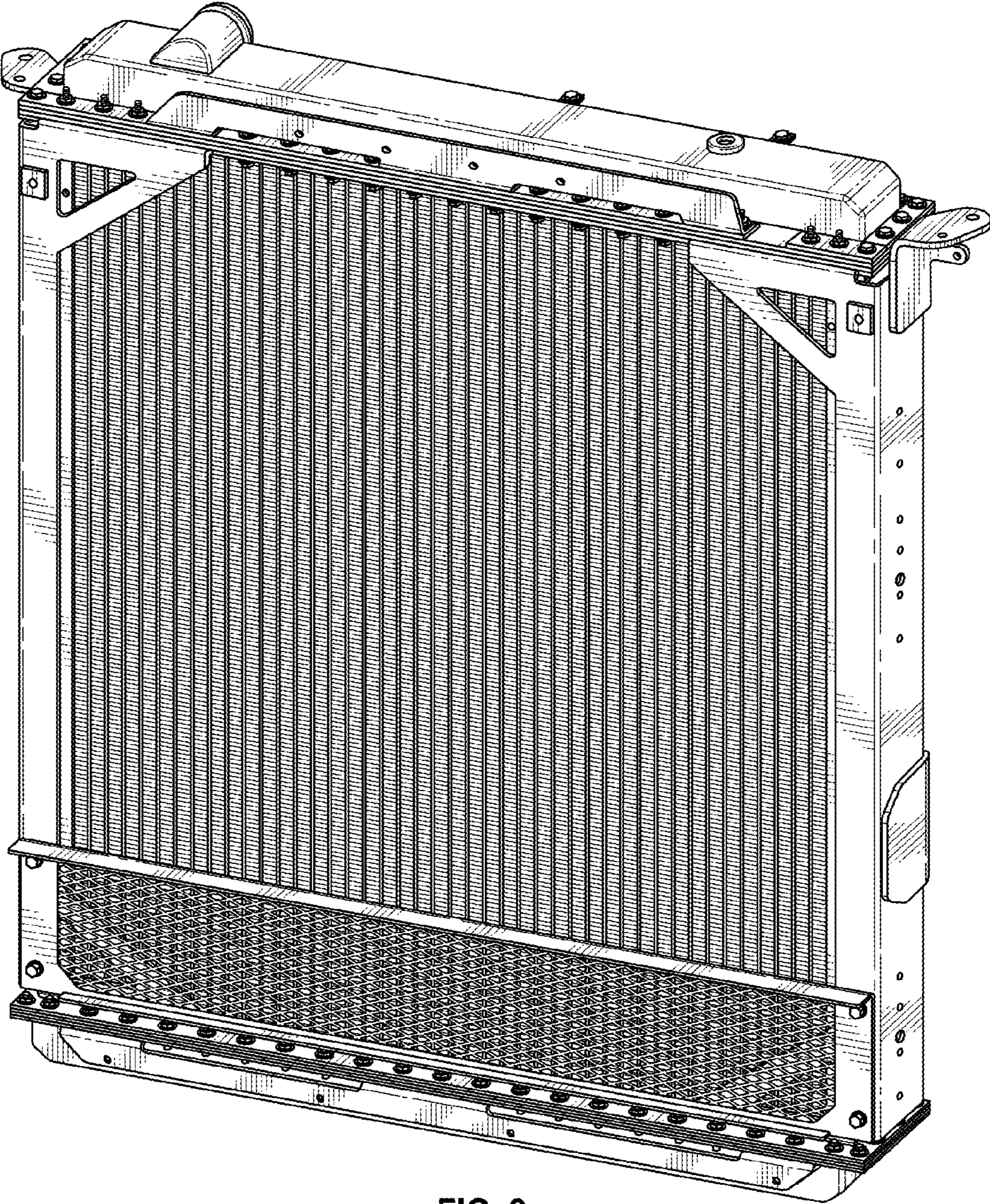


FIG. 2

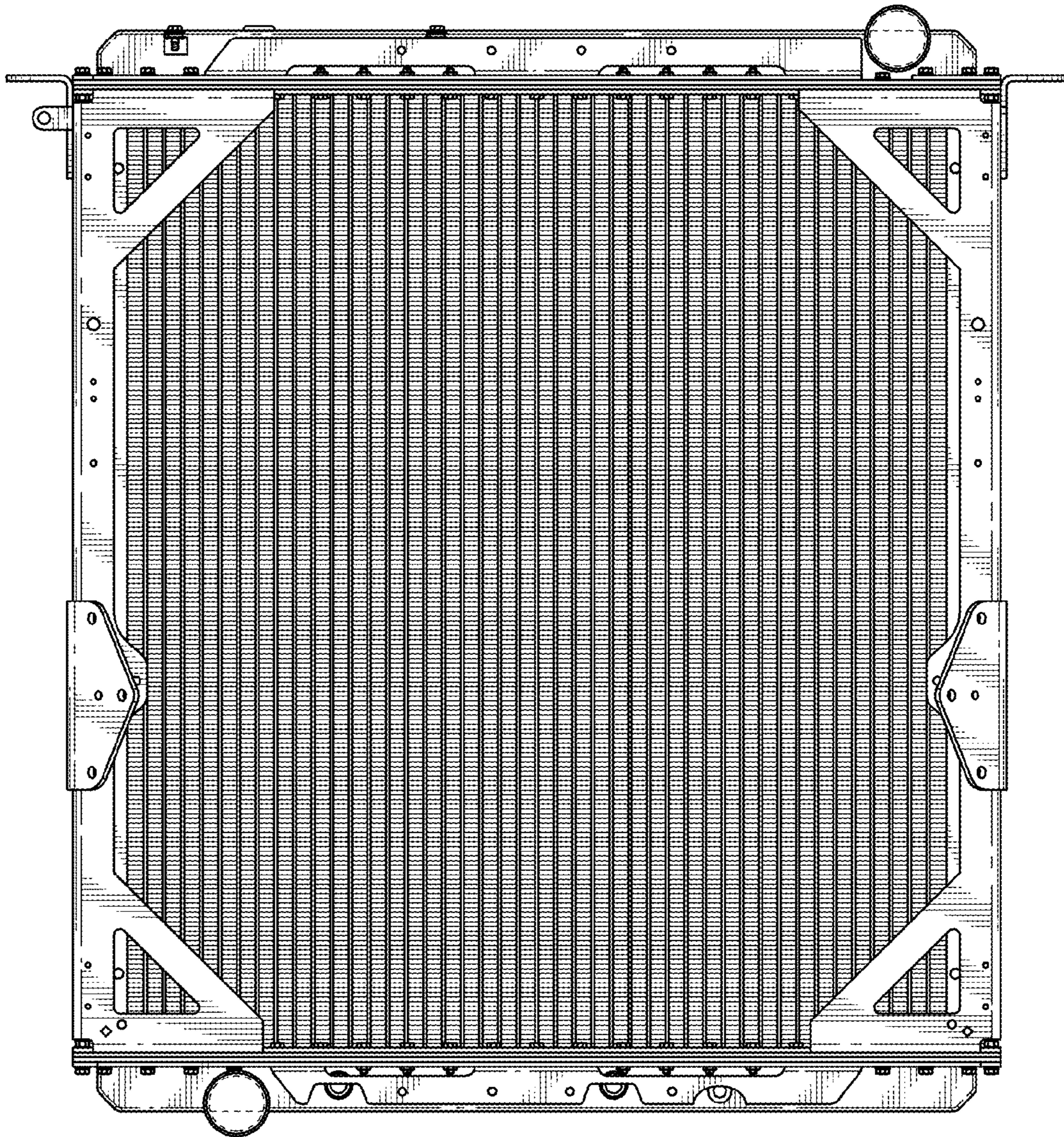


FIG. 3

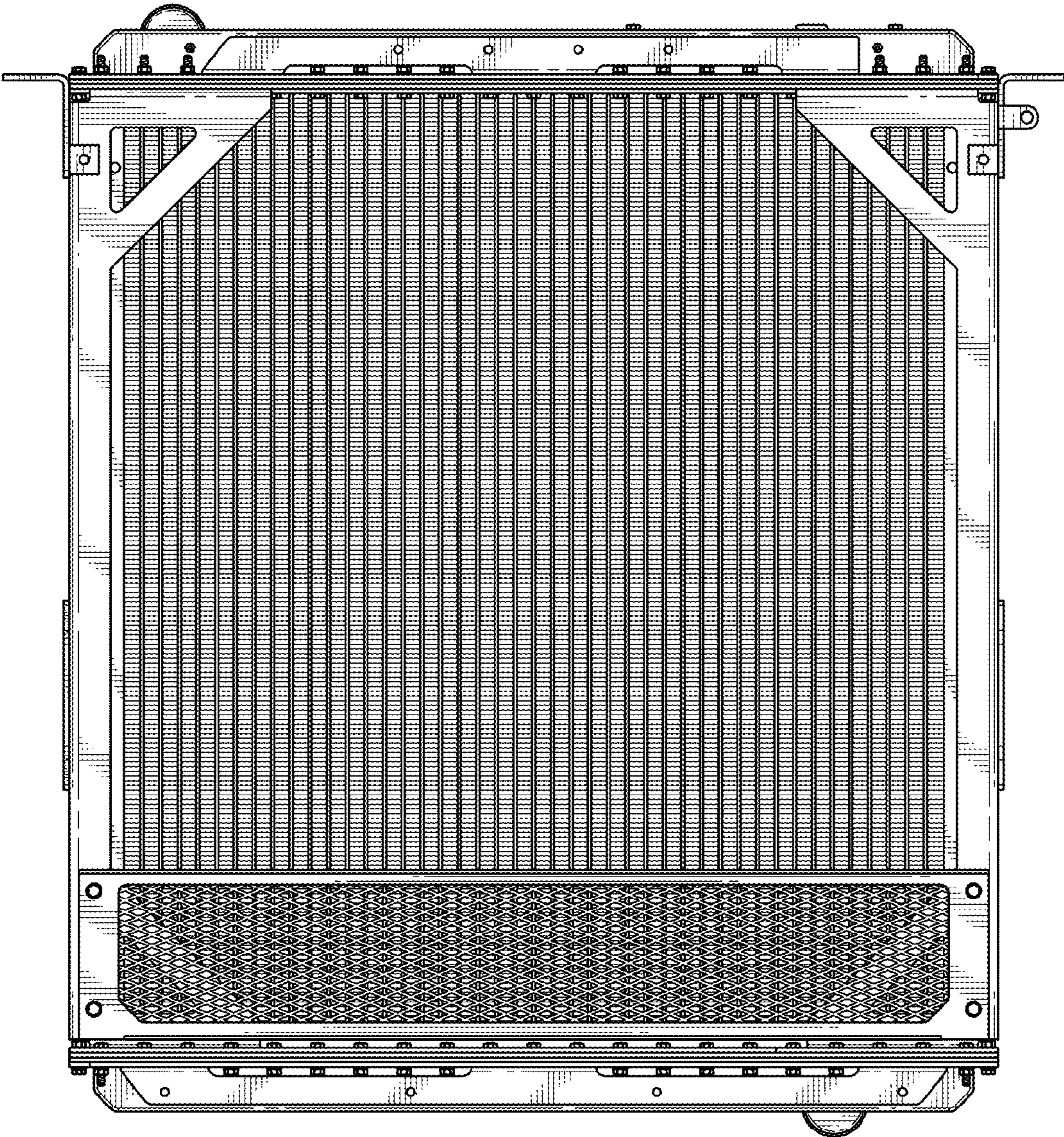


FIG. 4

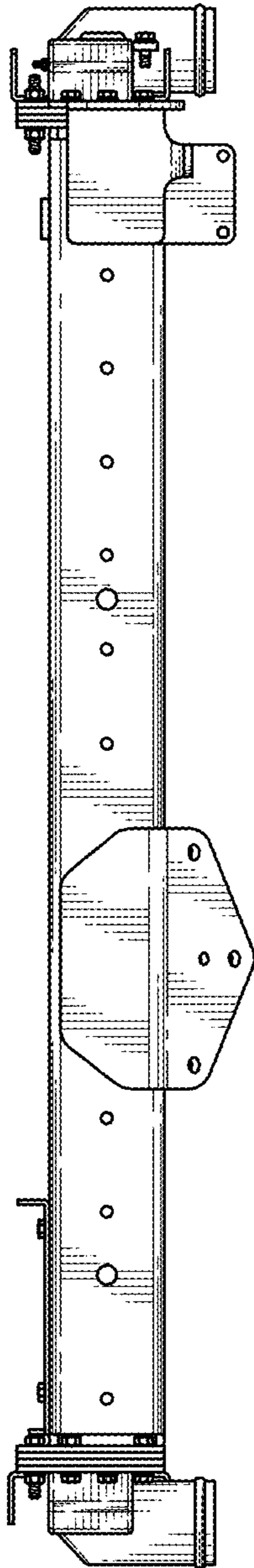


FIG. 5

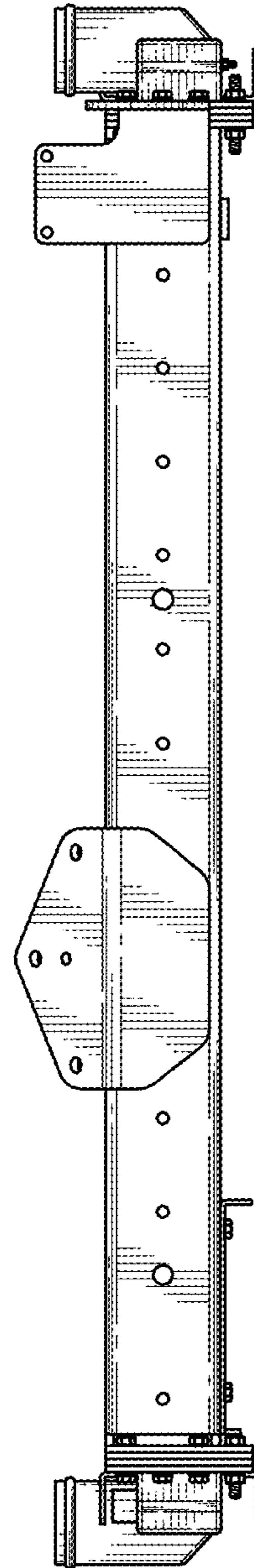


FIG. 6

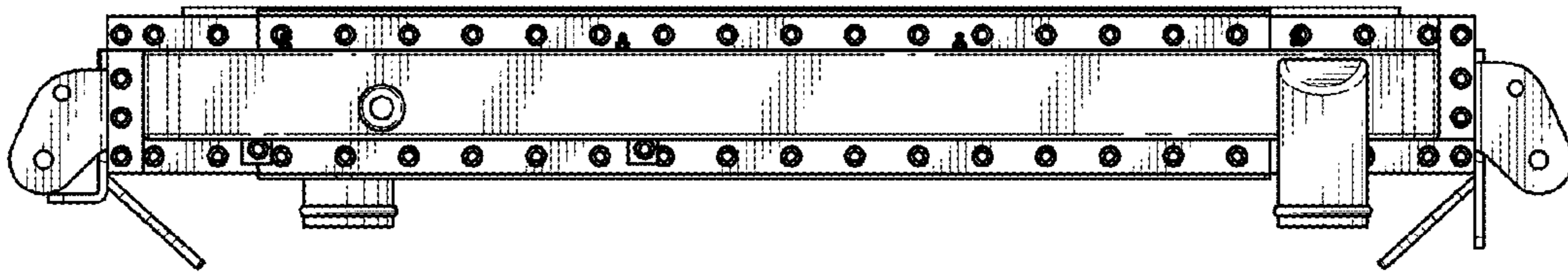


FIG. 7

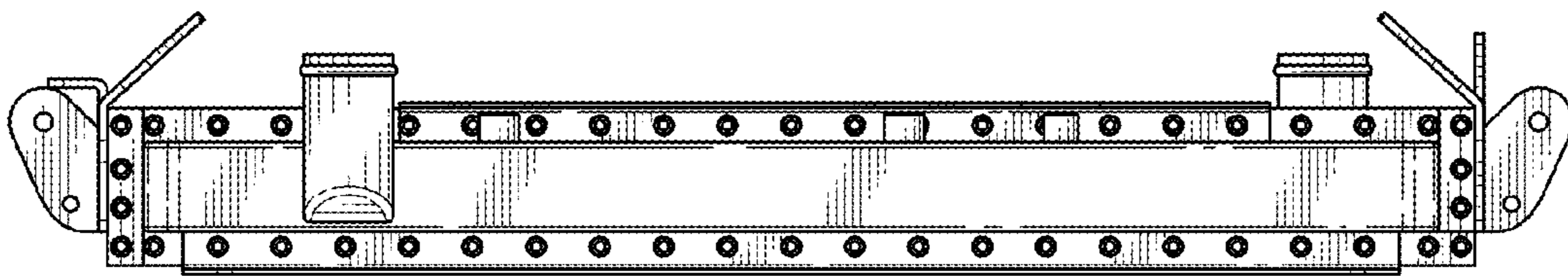


FIG. 8

UNITED STATES PATENT AND TRADEMARK OFFICE
CERTIFICATE OF CORRECTION

PATENT NO. : D746,732 S
APPLICATION NO. : 29/538524
DATED : January 5, 2016
INVENTOR(S) : John R. Pruitt

Page 1 of 1

It is certified that error appears in the above-identified patent and that said Letters Patent is hereby corrected as shown below:

On the Title Page, item (74), the attorney of record should be listed as “Bill C. Panagos” not “Bill C. Martin”.

Signed and Sealed this
Twelfth Day of July, 2016



Michelle K. Lee
Director of the United States Patent and Trademark Office