



US00D746731S

(12) **United States Design Patent**  
**Quezada**

(10) **Patent No.:** **US D746,731 S**  
(45) **Date of Patent:** **\*\* Jan. 5, 2016**

(54) **VEHICLE GRILL FACE WITH LIGHT OPENING**

(71) Applicant: **Anthony Quezada**, Rancho Cucamonga, CA (US)

(72) Inventor: **Anthony Quezada**, Rancho Cucamonga, CA (US)

(\*\*) Term: **14 Years**

(21) Appl. No.: **29/513,610**

(22) Filed: **Jan. 2, 2015**

(51) **LOC (10) Cl.** ..... **12-16**

(52) **U.S. Cl.**  
USPC ..... **D12/163**

(58) **Field of Classification Search**  
USPC ..... D12/163, 196, 86, 90-92, 171, 169, D12/216; 180/68.1, 68.6; 293/193.11  
CPC ..... B62D 25/08; B62B 9/16; B60K 11/08; B60R 19/52  
See application file for complete search history.

(56) **References Cited**

**U.S. PATENT DOCUMENTS**

D253,193 S 10/1979 Pauly et al.  
4,173,095 A 11/1979 Pauly et al.

D324,018 S 2/1992 Ueno  
D519,066 S 4/2006 Ney et al.  
D650,721 S \* 12/2011 Galante ..... D12/91  
D661,231 S \* 6/2012 Galante ..... D12/163  
D713,308 S \* 9/2014 Galante ..... D12/196  
D733,619 S \* 7/2015 Glover et al. .... D12/163  
2006/0157993 A1 7/2006 Pendarvis  
2006/0225934 A1 10/2006 Fobean

\* cited by examiner

*Primary Examiner* — Melody N. Brown

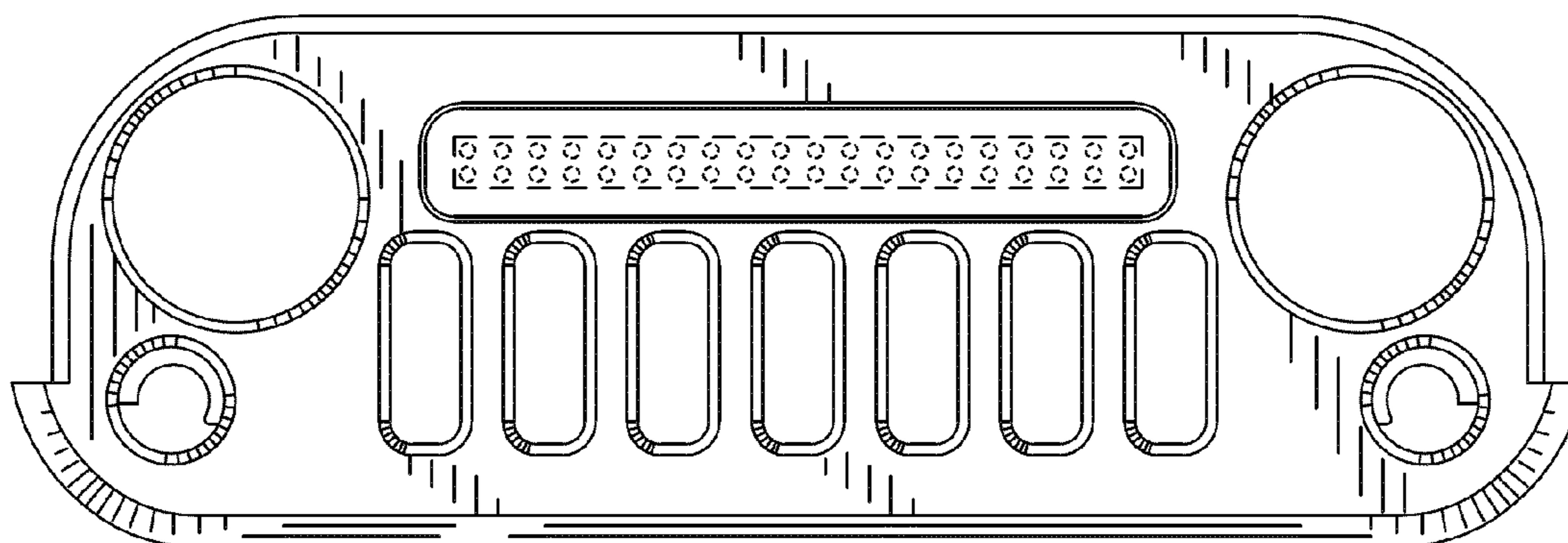
(57) **CLAIM**

The ornamental design for a vehicle grill face with light opening, as shown and described.

**DESCRIPTION**

FIG. 1 is a perspective view of a vehicle grill face with light opening;  
FIG. 2 is a top plan view thereof;  
FIG. 3 is a front elevation view thereof;  
FIG. 4 is a bottom plan view thereof;  
FIG. 5 is a rear elevation view thereof; and,  
FIG. 6 is a side elevation view thereof.  
The broken lines shown represent unclaimed subject matter and form no part of the claimed design.

**1 Claim, 3 Drawing Sheets**



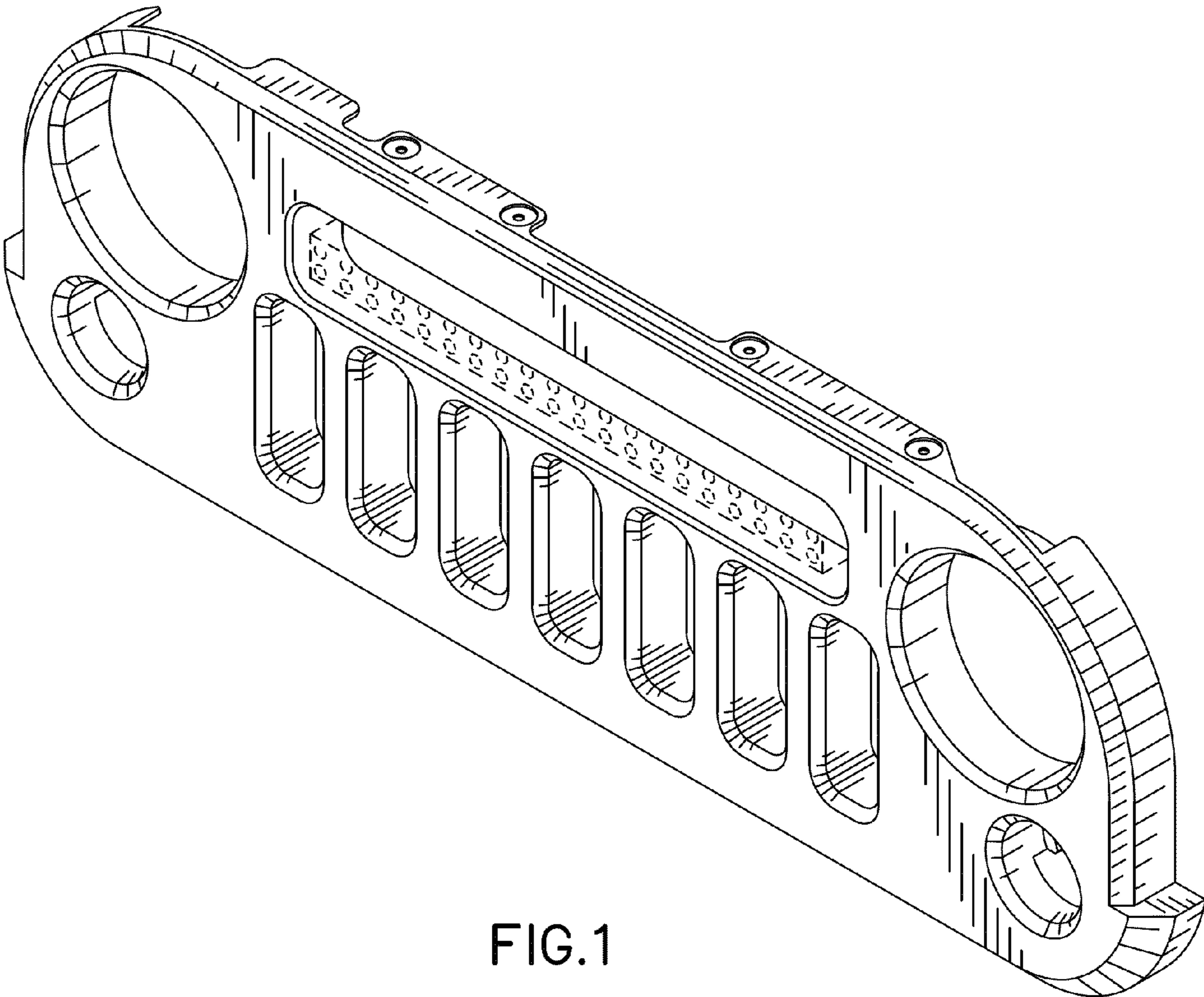


FIG.1



FIG. 2

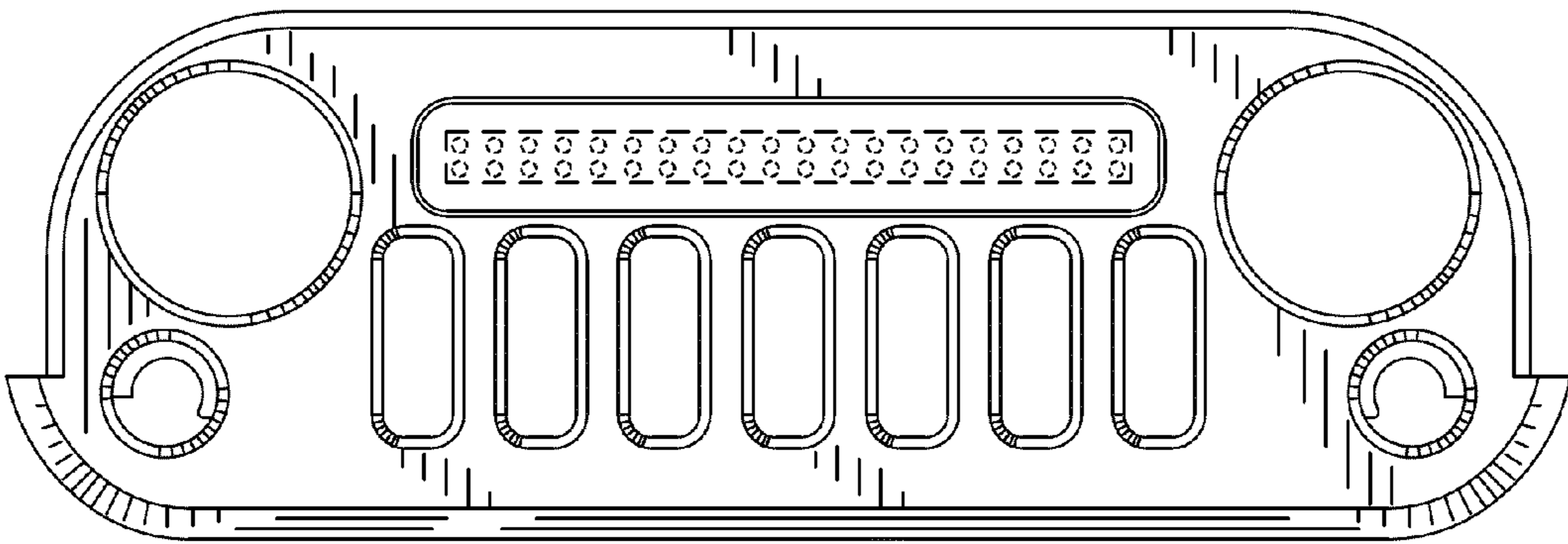


FIG. 3

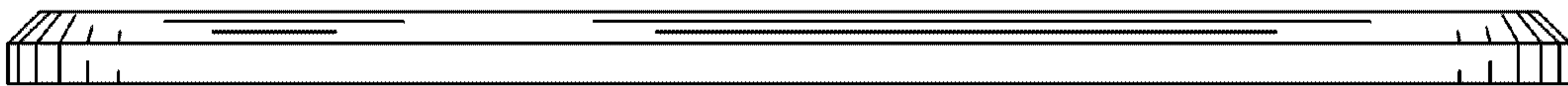


FIG. 4

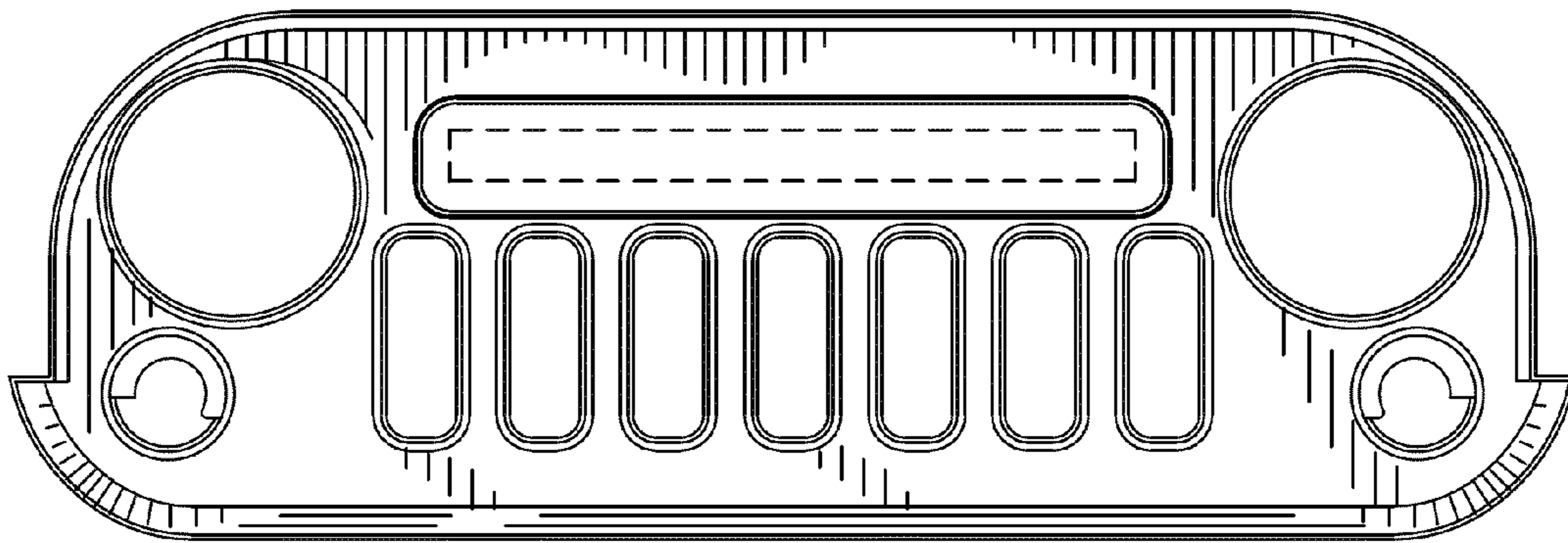


FIG. 5

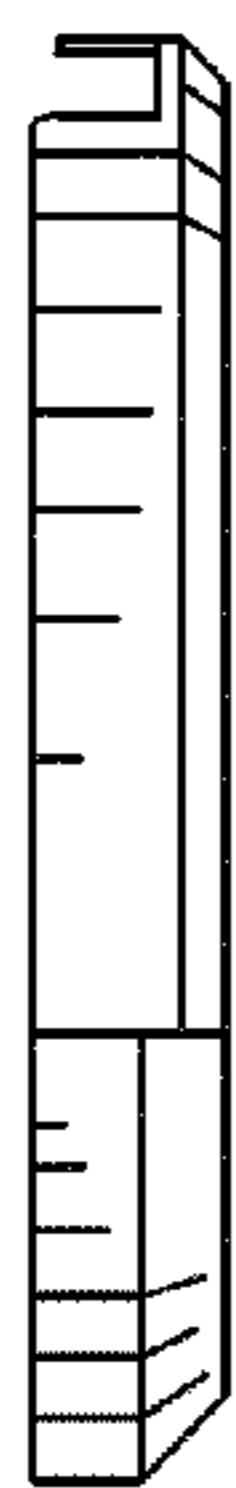


FIG. 6