



US00D746729S

(12) **United States Design Patent**  
**Boniface et al.**

(10) **Patent No.:** **US D746,729 S**  
(45) **Date of Patent:** **\*\* Jan. 5, 2016**

(54) **VEHICLE GRILLE**  
(71) Applicant: **GM GLOBAL TECHNOLOGY OPERATIONS LLC**, Detroit, MI (US)  
(72) Inventors: **Robert E. Boniface**, Bloomfield Hills, MI (US); **Robert J. Munson**, Rochester Hills, MI (US)  
(73) Assignee: **GM Global Technology Operations LLC**, Detroit, MI (US)

(\*\*) Term: **14 Years**

(21) Appl. No.: **29/501,183**

(22) Filed: **Sep. 2, 2014**

(51) **LOC (10) Cl.** ..... **12-16**

(52) **U.S. Cl.**  
USPC ..... **D12/163**

(58) **Field of Classification Search**  
USPC ..... D12/163, 196, 86, 90-92, 171, 169, D12/216; 180/68.1, 68.6; 293/193.11  
CPC ..... B62D 25/08; B62D 9/16; B60K 11/08; B60R 19/52

See application file for complete search history.

(56) **References Cited**

**U.S. PATENT DOCUMENTS**

D604,210 S \* 11/2009 Kim ..... D12/163  
D623,090 S \* 9/2010 Cox ..... D12/92  
7,896,409 B2 \* 3/2011 Abdelnour ..... B60R 19/52  
180/68.6  
D644,148 S \* 8/2011 Smart ..... D12/91  
D644,567 S \* 9/2011 Kozub ..... D12/92  
D656,869 S \* 4/2012 Fetherston ..... D12/163  
D660,751 S \* 5/2012 Matei ..... D12/163  
D668,183 S \* 10/2012 Smart ..... D12/92  
8,292,350 B2 \* 10/2012 Li ..... B62D 35/005  
296/180.1

D670,213 S \* 11/2012 Koehl ..... D12/163  
D679,225 S \* 4/2013 Gifford ..... D12/163  
D680,909 S \* 4/2013 Munson ..... D12/92  
D702,601 S \* 4/2014 Wada ..... D12/163  
D704,103 S \* 5/2014 Mack ..... D12/92  
D708,555 S \* 7/2014 Mackay ..... D12/163  
D712,316 S \* 9/2014 O'Donnell ..... D12/163  
D718,189 S \* 11/2014 Krieg ..... D12/92  
D730,783 S \* 6/2015 Henriques ..... D12/163

**OTHER PUBLICATIONS**

Design U.S. Appl. No. 29/466,635, filed Sep. 10, 2013; First Named Inventor: Louis D. Thole; Title: Vehicle Grille.  
Design U.S. Appl. No. 29/476,490, filed Dec. 13, 2013; First Named Inventor: Robert J. Munson; Title: Vehicle Body Exterior.  
Design U.S. Appl. No. 29/473,976, filed Nov. 27, 2013; First Named Inventor: Alexandre Batista Da Silva Henriques; Title: Vehicle Grille Assembly.

\* cited by examiner

*Primary Examiner* — Melody N. Brown

(74) *Attorney, Agent, or Firm* — Reising Ethington P.C.

(57) **CLAIM**

The ornamental design for a vehicle grille, as shown and described.

**DESCRIPTION**

FIG. 1 is a front perspective view vehicle grille showing our new design;

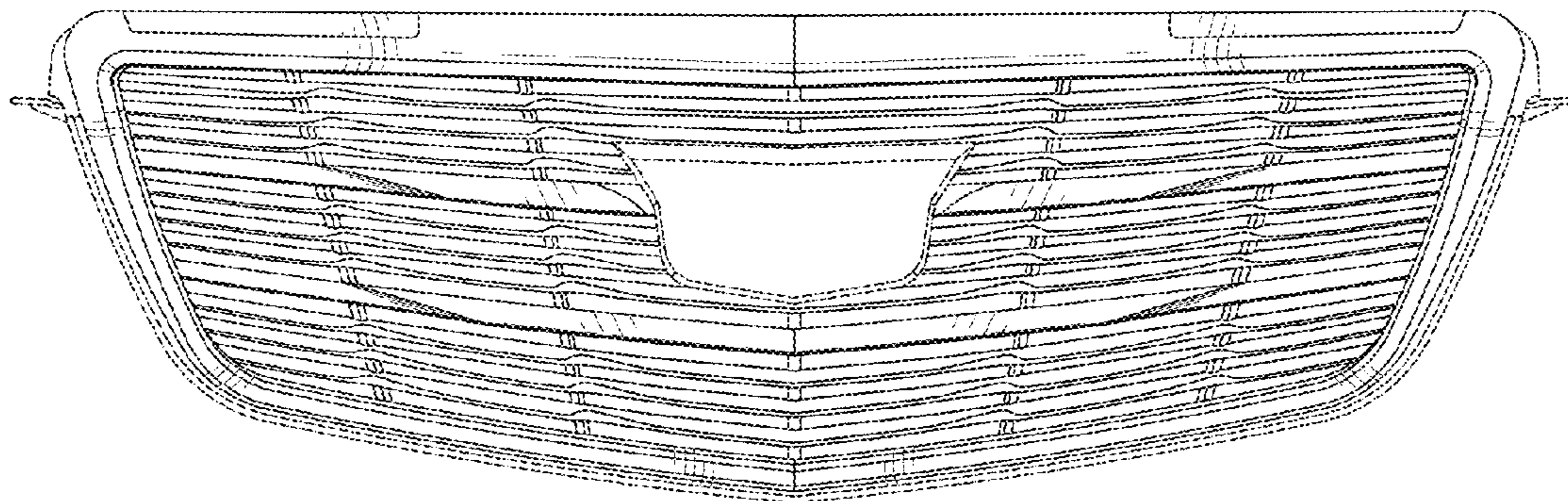
FIG. 2 is a front view thereof;

FIG. 3 is a top plan view thereof; and,

FIG. 4 is a left side elevation view thereof.

The right side elevation view of the vehicle grille is omitted because the right side elevation view is identical to the left side elevation view. And the broken lines shown in the drawings depict portions of the vehicle grille that form no part of the claimed design.

**1 Claim, 2 Drawing Sheets**



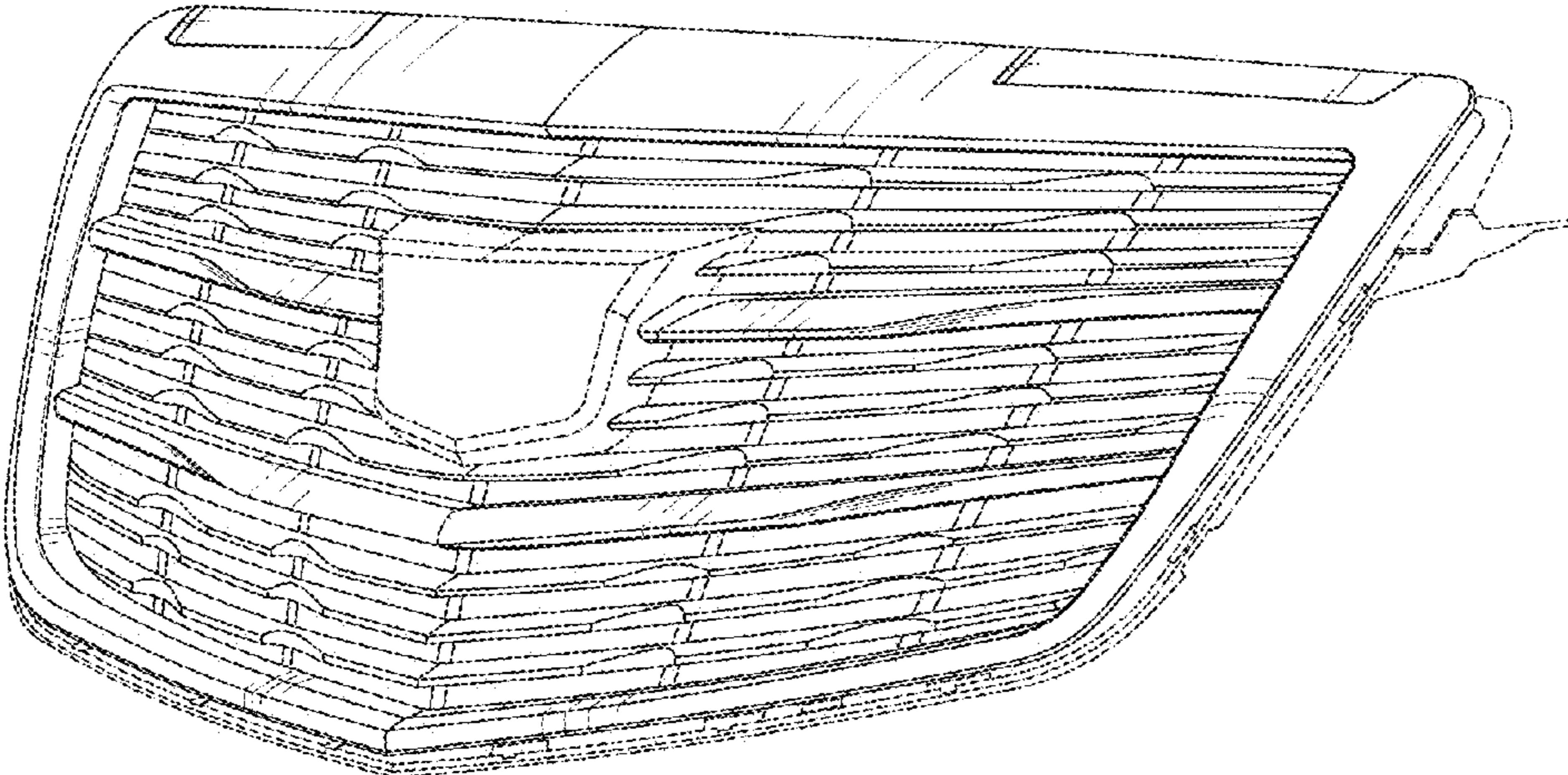


Fig-1

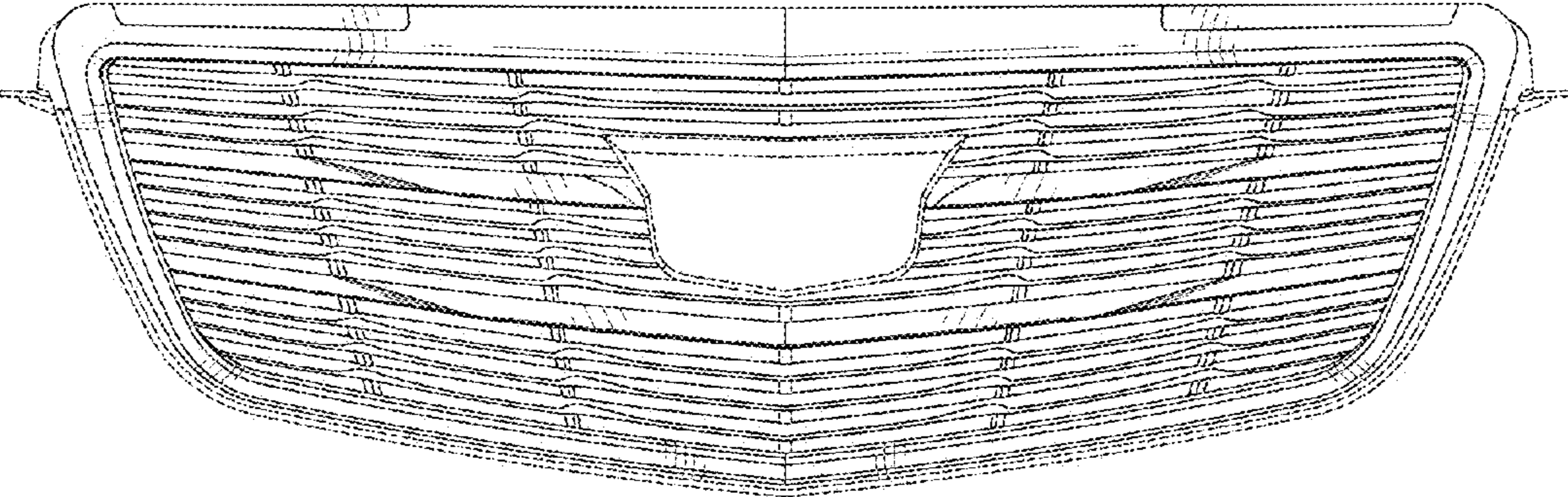


Fig-2

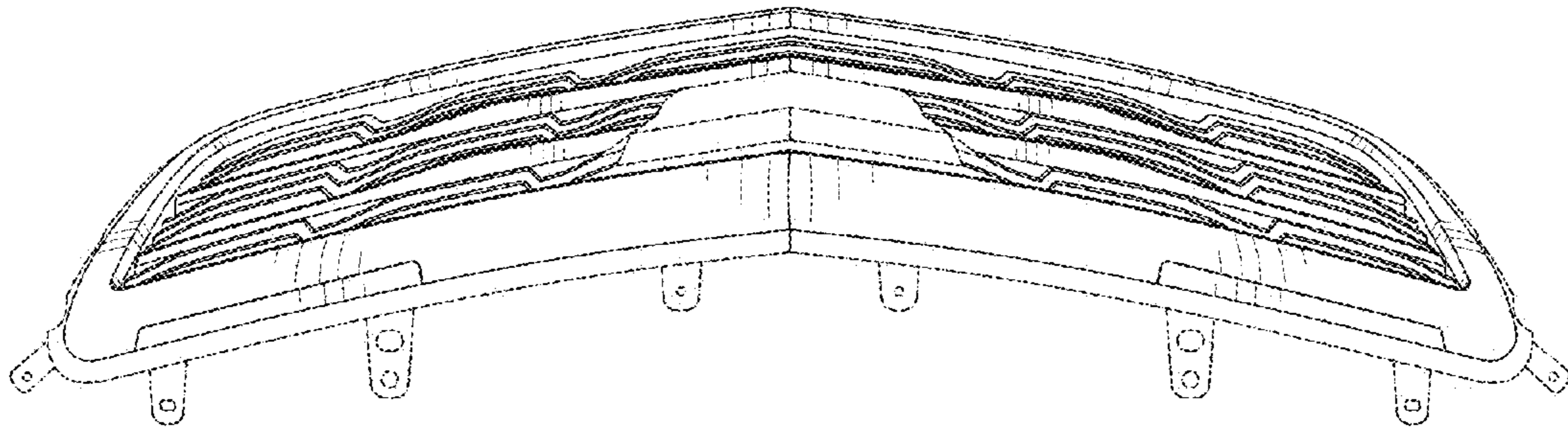


Fig-3

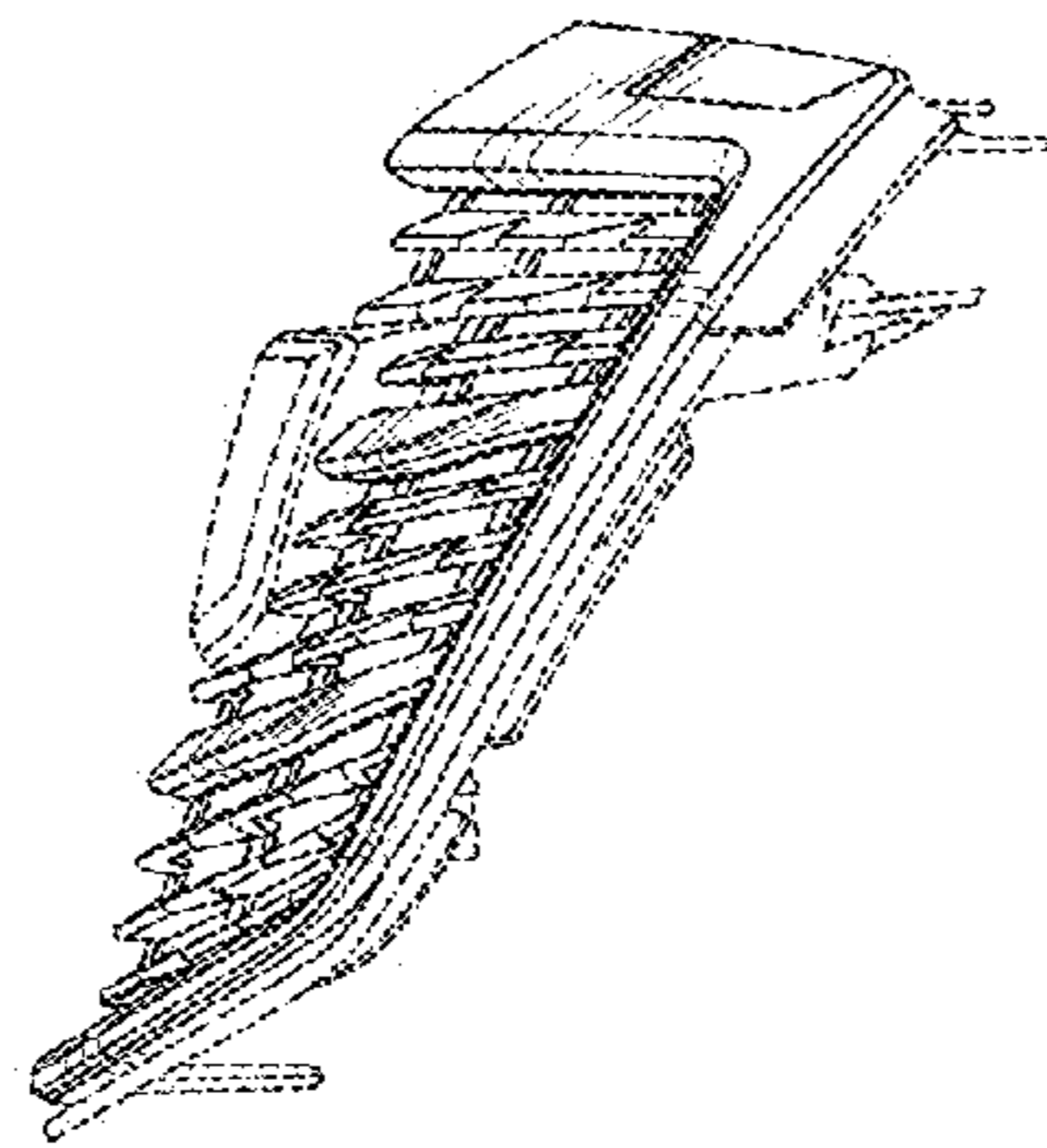


Fig-4