



US00D746728S

(12) **United States Design Patent**
Smith et al.

(10) **Patent No.:** **US D746,728 S**

(45) **Date of Patent:** **** Jan. 5, 2016**

(54) **VEHICLE SIDE GRILLE INSERT**

(56) **References Cited**

(71) Applicant: **GM GLOBAL TECHNOLOGY OPERATIONS LLC**, Detroit, MI (US)

(72) Inventors: **Brian J. Smith**, Farmington Hills, MI (US); **Robin Krieg**, Bloomfield Hills, MI (US)

(73) Assignee: **GM Global Technology Operations LLC**, Detroit, MI (US)

(**) Term: **14 Years**

(21) Appl. No.: **29/498,223**

(22) Filed: **Aug. 1, 2014**

(51) **LOC (10) Cl.** **12-16**

(52) **U.S. Cl.**
USPC **D12/163**

(58) **Field of Classification Search**
USPC D12/163, 196, 86, 90-92, 171, 169,
D12/216; 180/68.1, 68.6; 293/193.11
CPC B62D 25/08; B62B 9/16; B60K 11/08;
B60R 19/52

See application file for complete search history.

U.S. PATENT DOCUMENTS

D545,729 S *	7/2007	Lee	D12/163
D606,460 S *	12/2009	Richards	D12/163
D608,256 S *	1/2010	Roller	D12/163
D633,831 S *	3/2011	Matei	D12/163
D637,119 S *	5/2011	Lamm	D12/169
D686,116 S *	7/2013	Karras	D12/163
D686,543 S *	7/2013	Weil	D12/163

OTHER PUBLICATIONS

Design U.S. Appl. No. 29/471,417, filed Oct. 31, 2013; First Named Inventor: Robin Krieg; Title: Vehicle Body Exterior.

* cited by examiner

Primary Examiner — Melody N. Brown

(74) *Attorney, Agent, or Firm* — Reising Ethington P.C.

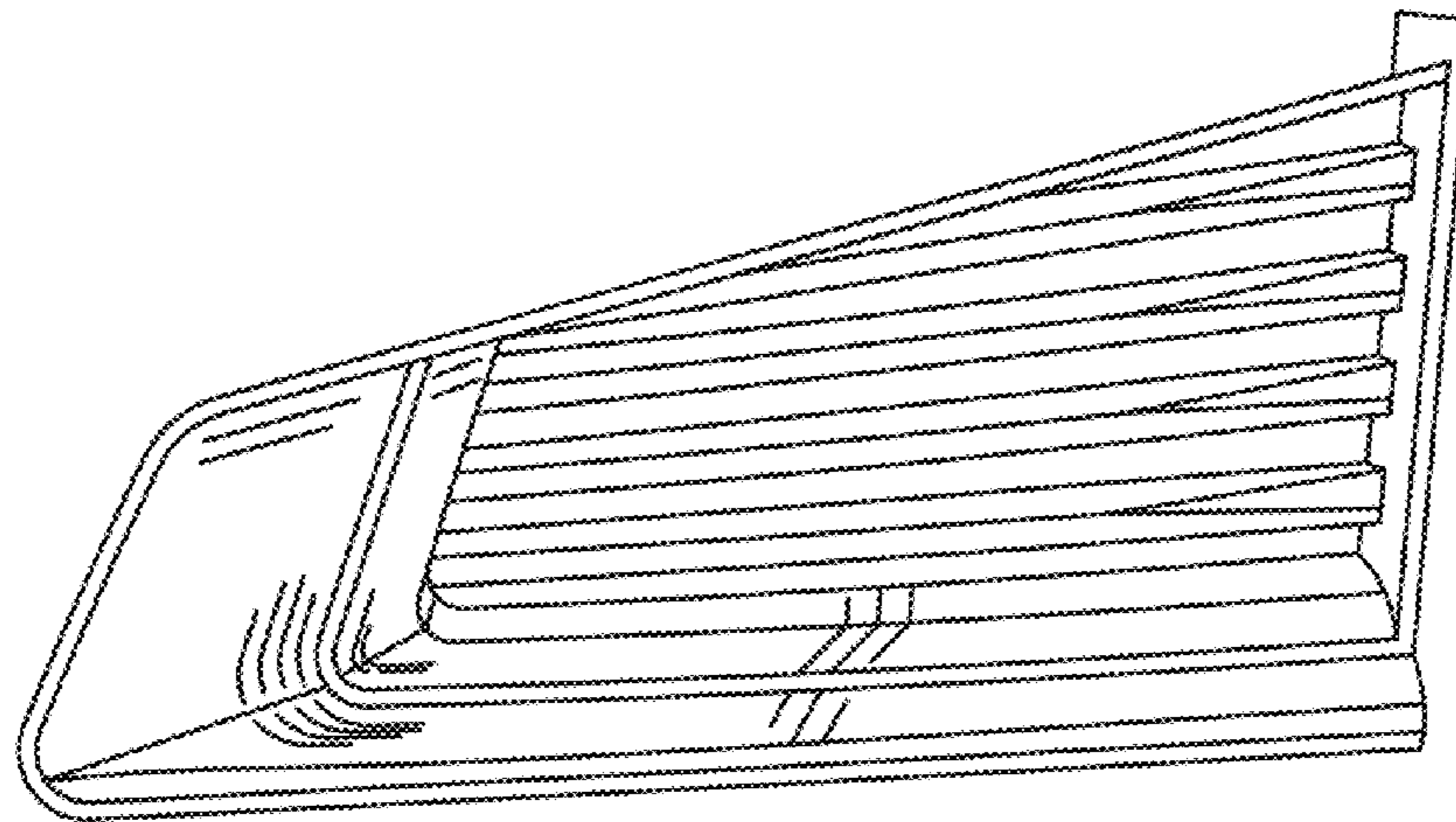
(57) **CLAIM**

The ornamental design for a vehicle side grille insert, as shown and described.

DESCRIPTION

FIG. 1 is a perspective view vehicle side grille insert showing our new design;
FIG. 2 is a front view thereof;
FIG. 3 is a top plan view thereof; and,
FIG. 4 is another perspective view thereof.
In the drawings, the portions shown by broken lines form no part of the claim.

1 Claim, 1 Drawing Sheet



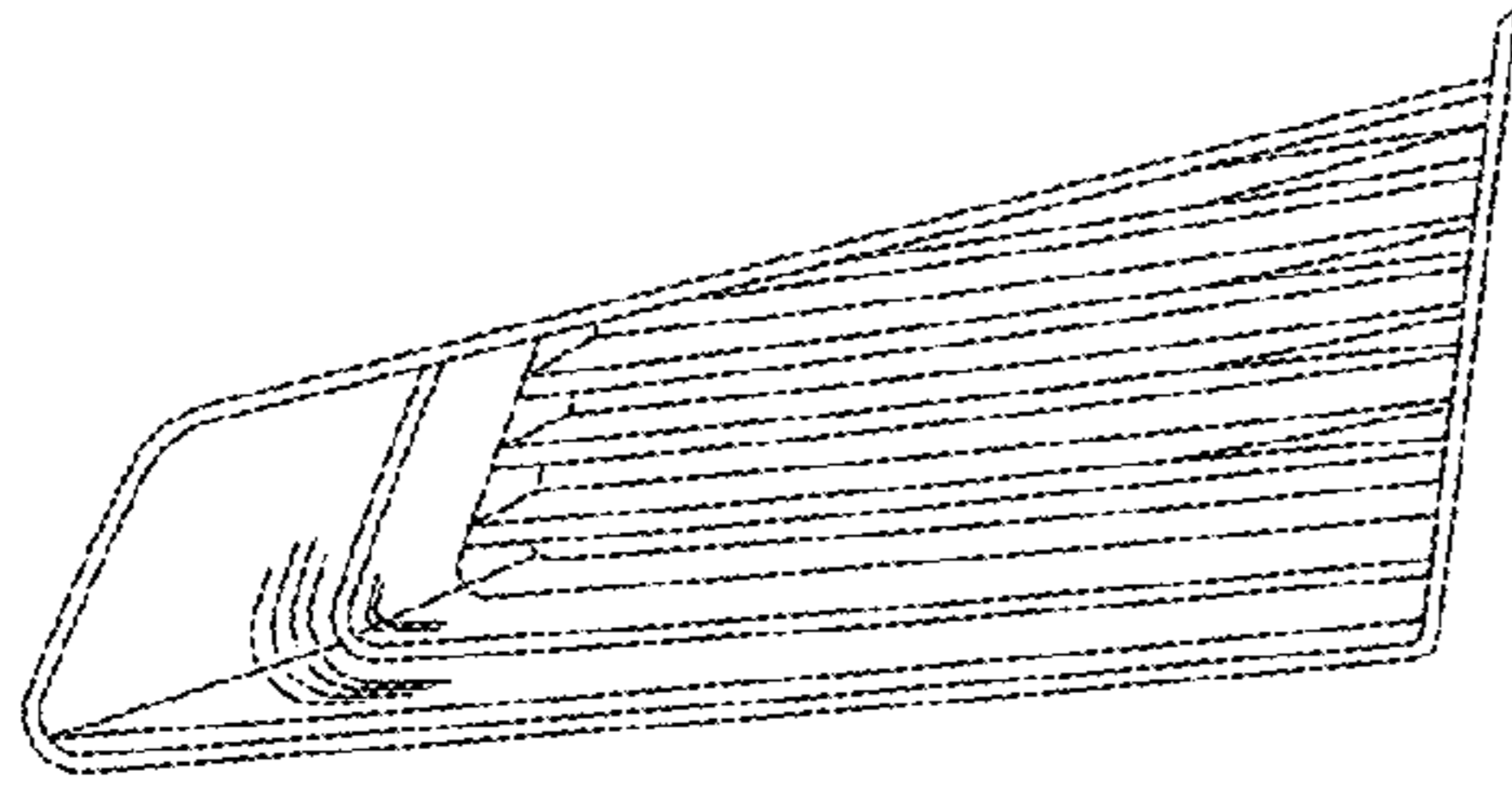


Fig-1

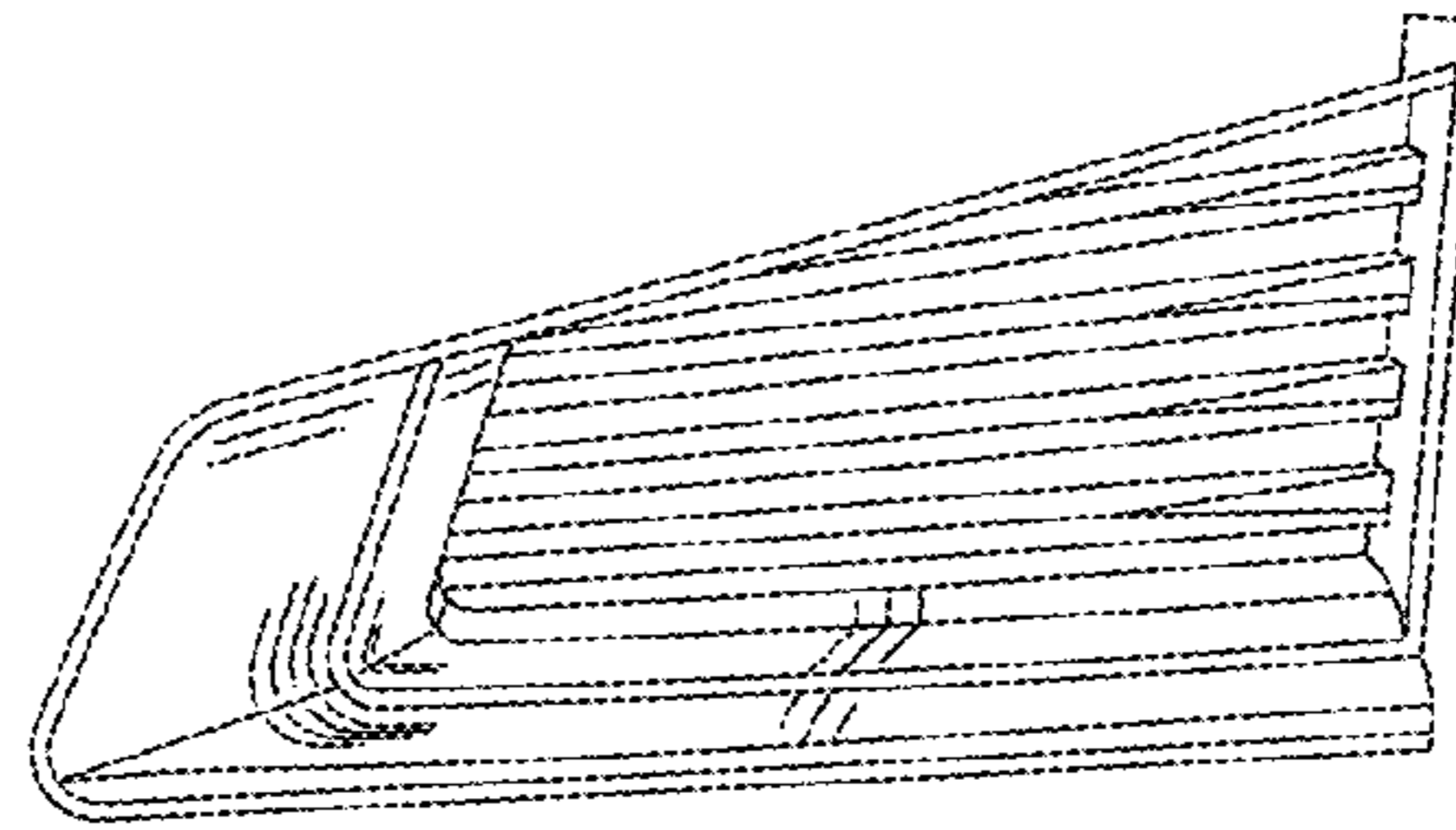


Fig-2

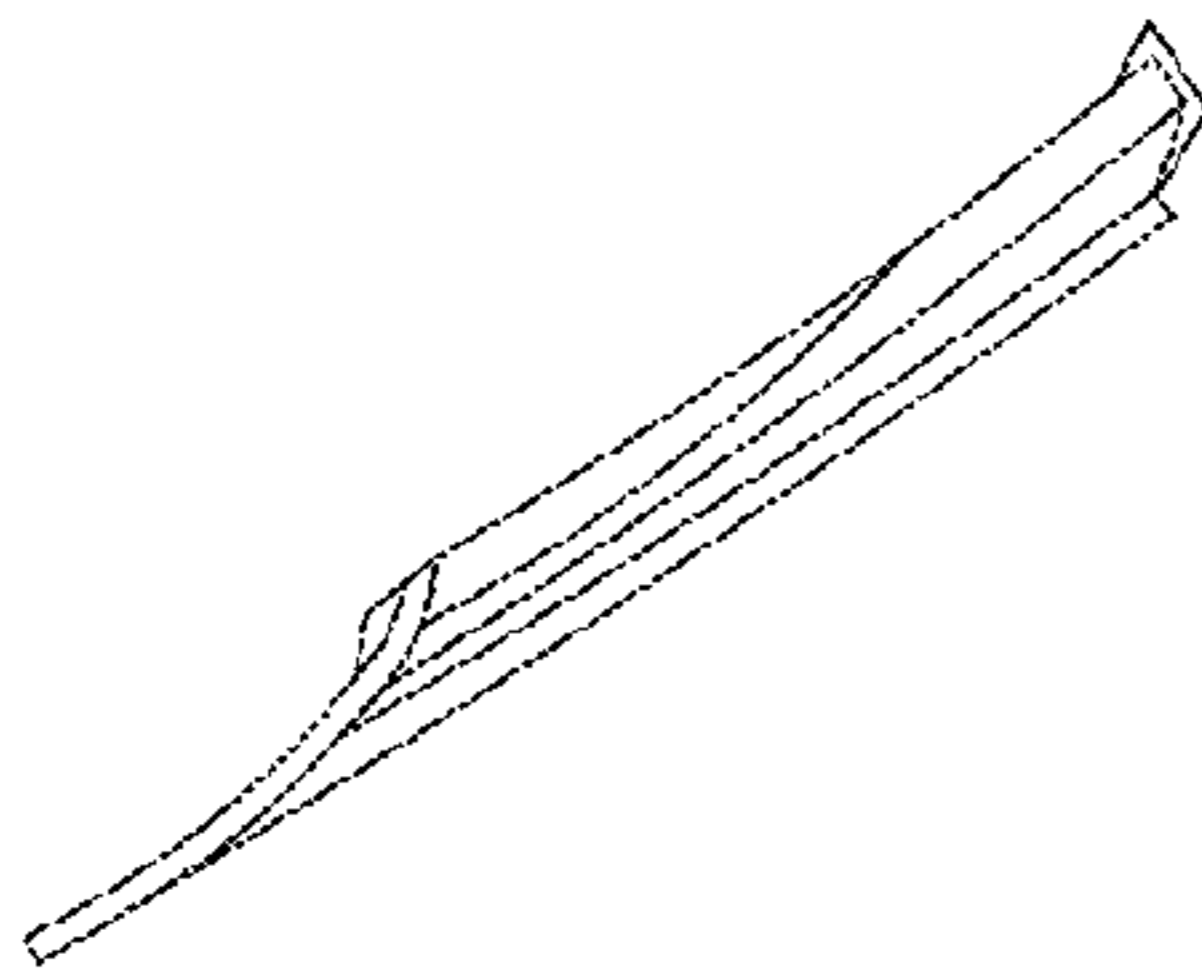


Fig-3

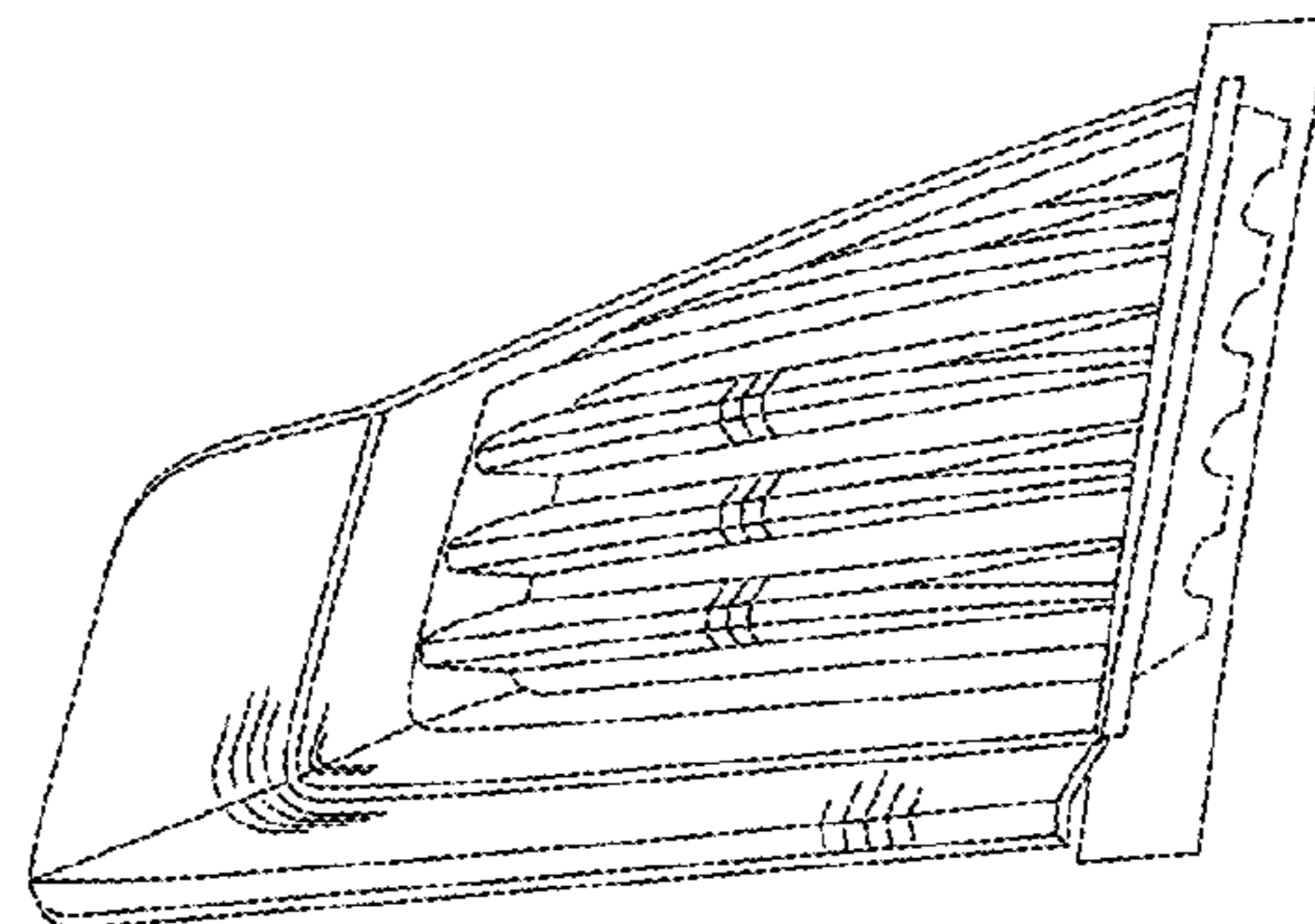


Fig-4