



US00D746727S

(12) **United States Design Patent**  
**Smith et al.**

(10) **Patent No.:** **US D746,727 S**  
(45) **Date of Patent:** **\*\* Jan. 5, 2016**

(54) **VEHICLE SIDE GRILLE INSERT**

(71) Applicant: **GM GLOBAL TECHNOLOGY OPERATIONS LLC**, Detroit, MI (US)

(72) Inventors: **Brian J. Smith**, Farmington Hills, MI (US); **Robin Krieg**, Bloomfield Hills, MI (US)

(73) Assignee: **GM Global Technology Operations LLC**, Detroit, MI (US)

(\*\*) Term: **14 Years**

(21) Appl. No.: **29/498,220**

(22) Filed: **Aug. 1, 2014**

(51) **LOC (10) Cl.** ..... **12-16**

(52) **U.S. Cl.**  
USPC ..... **D12/163**

(58) **Field of Classification Search**  
USPC ..... D12/163, 196, 86, 90-92, 171, 169,  
D12/216; 180/68.1, 68.6; 293/193.11  
CPC ..... B62D 25/08; B62B 9/16; B60K 11/08;  
B60R 19/52

See application file for complete search history.

(56) **References Cited**

U.S. PATENT DOCUMENTS

D545,729 S *	7/2007	Lee	.....	D12/163
D606,460 S *	12/2009	Richards	.....	D12/163
D608,256 S *	1/2010	Roller	.....	D12/163
D633,831 S *	3/2011	Matei	.....	D12/163
D637,119 S *	5/2011	Lamm	.....	D12/169
D686,116 S *	7/2013	Karras	.....	D12/163
D686,543 S *	7/2013	Weil	.....	D12/163

OTHER PUBLICATIONS

Design U.S. Appl. No. 29/471417, filed Oct. 31, 2013; First Named Inventor: Robin Krieg; Title: Vehicle Body Exterior.

\* cited by examiner

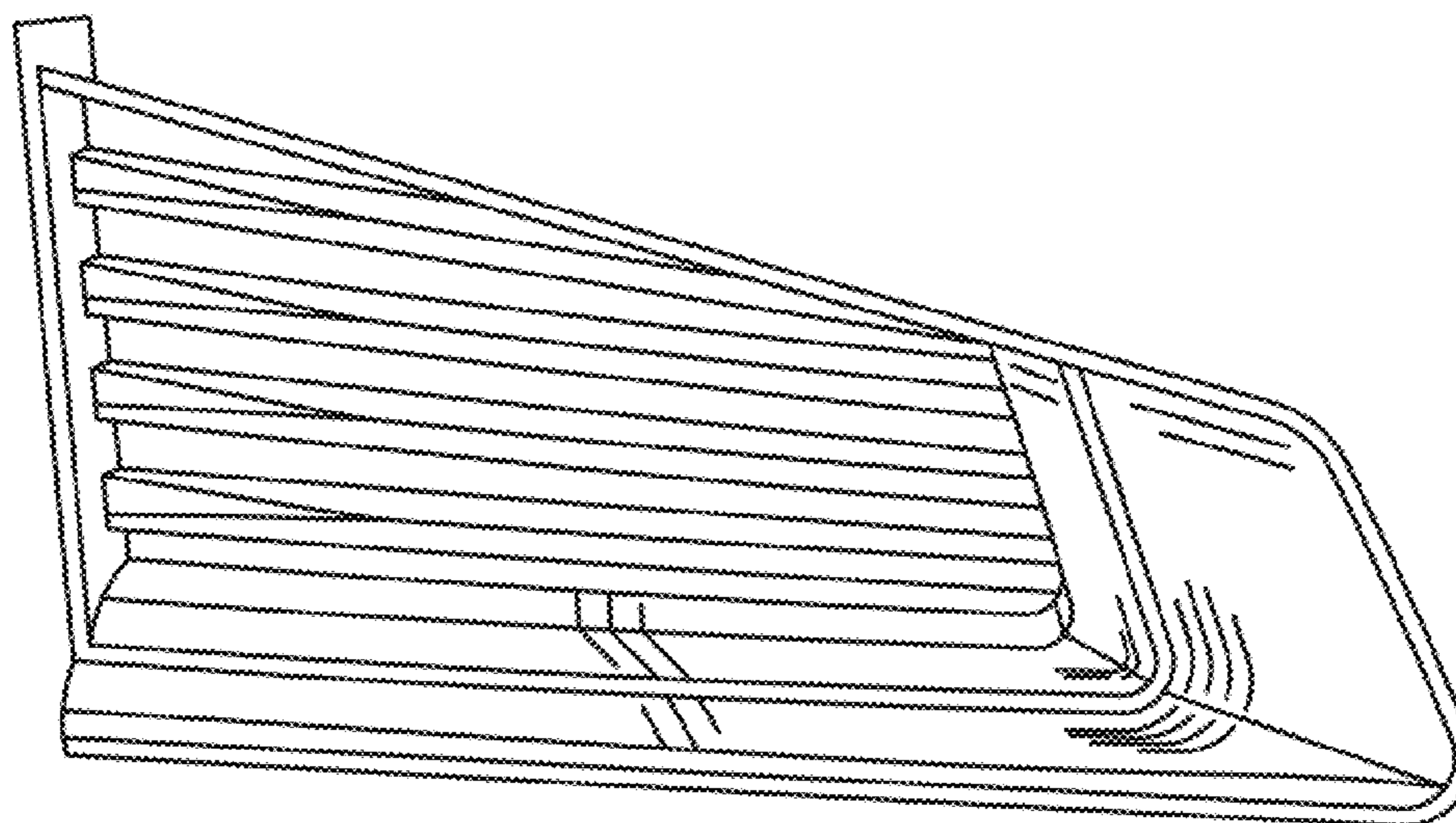
*Primary Examiner* — Melody N. Brown  
(74) *Attorney, Agent, or Firm* — Reising Ethington P.C

(57) **CLAIM**  
The ornamental design for a vehicle side grille insert, as shown and described.

**DESCRIPTION**

FIG. 1 is a perspective view of a vehicle side grille insert showing our new design;  
FIG. 2 is a front view thereof;  
FIG. 3 is a top plan view thereof; and,  
FIG. 4 is another perspective view thereof.  
In the drawings, the portions shown by broken lines form no part of the claim.

**1 Claim, 1 Drawing Sheet**



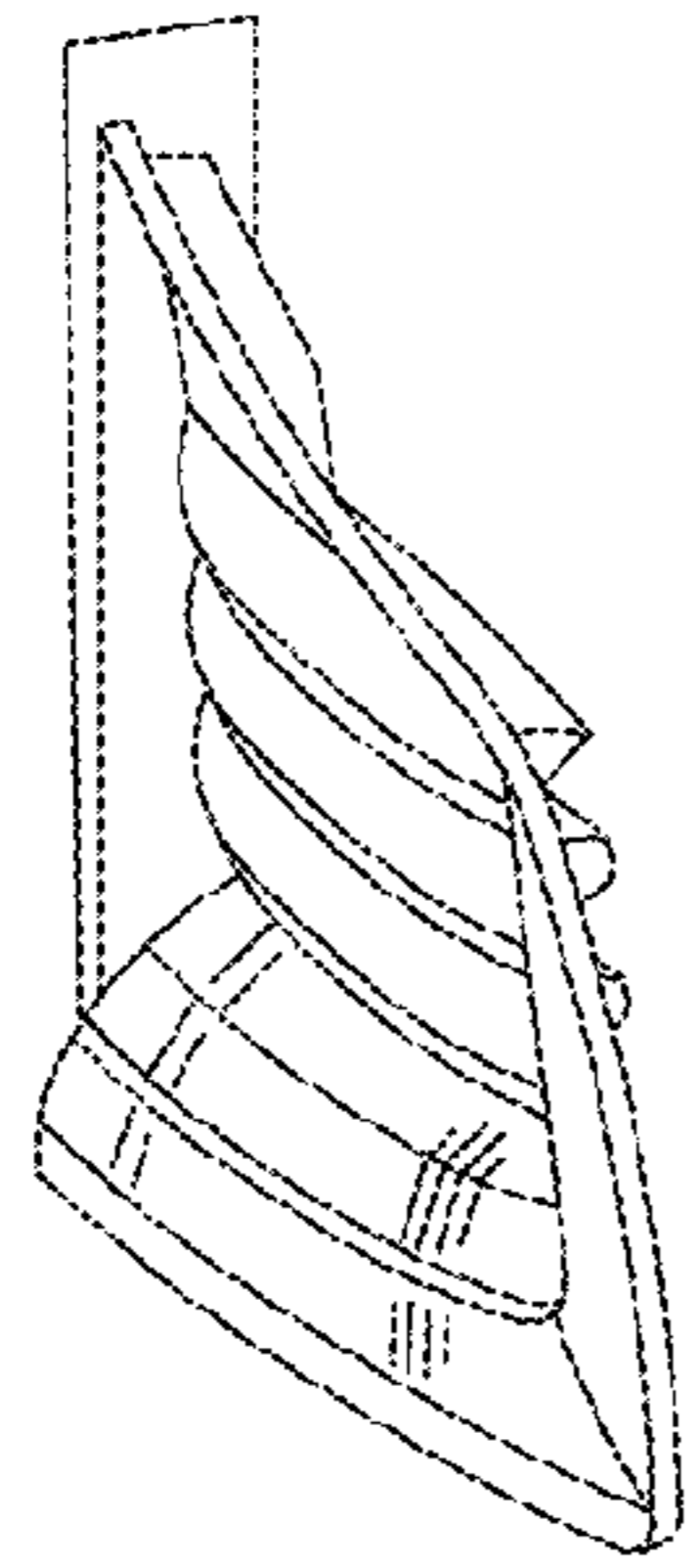


Fig-1

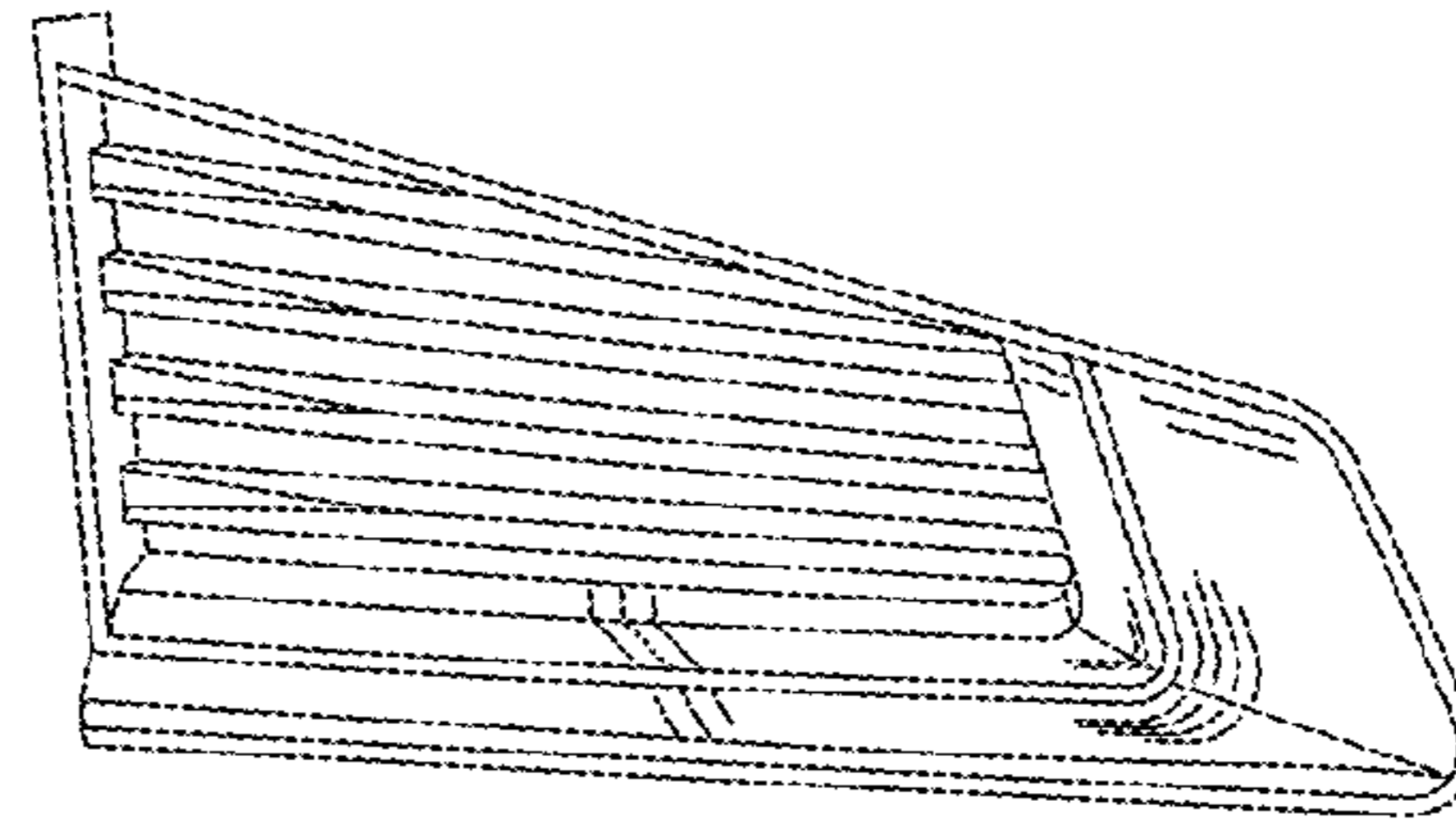


Fig-2

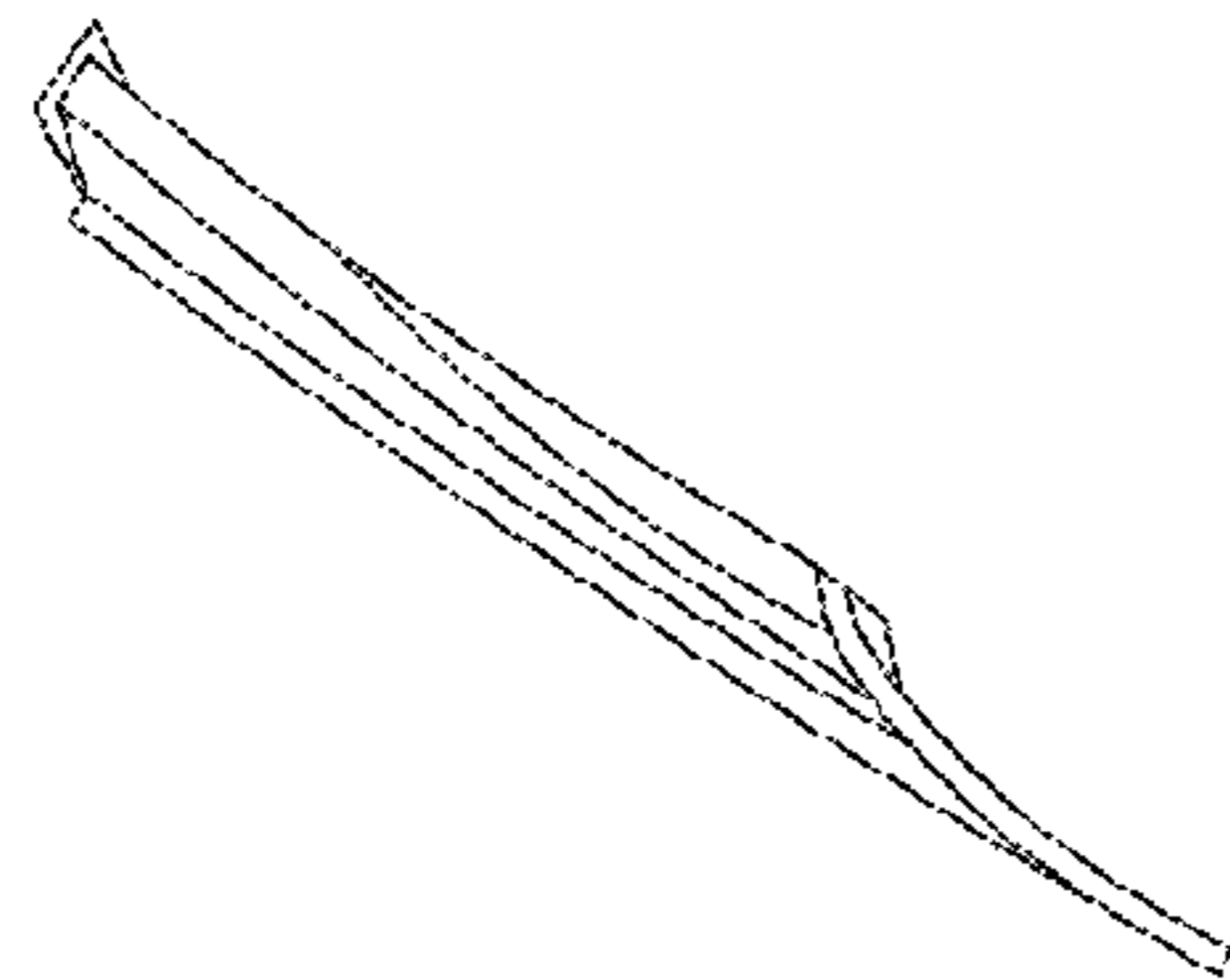


Fig-3

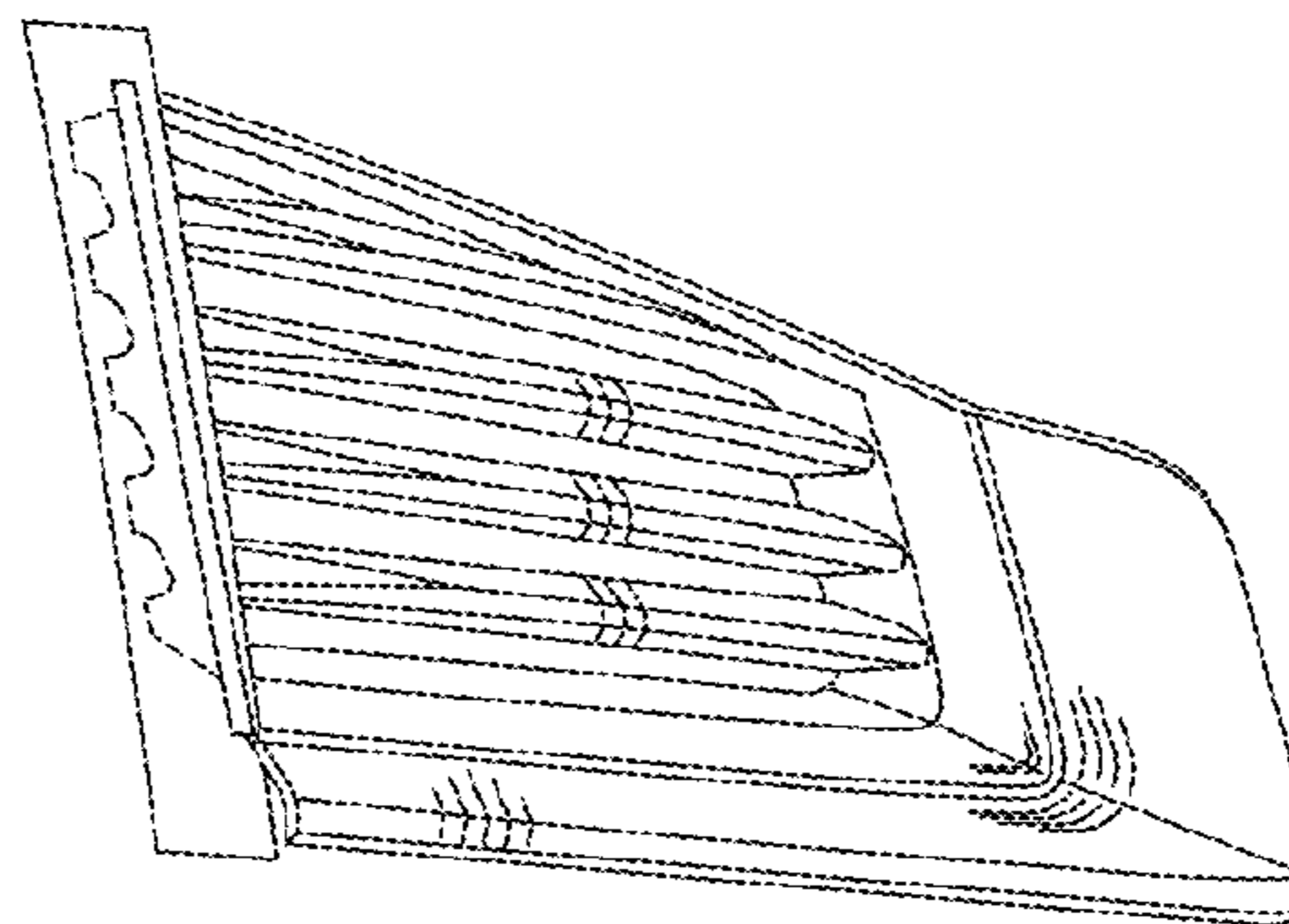


Fig-4