



US00D746726S

(12) **United States Design Patent**
Smith et al.

(10) **Patent No.:** **US D746,726 S**
(45) **Date of Patent:** **** Jan. 5, 2016**

- (54) **VEHICLE GRILLE**
- (71) Applicant: **GM GLOBAL TECHNOLOGY OPERATIONS LLC**, Detroit, MI (US)
- (72) Inventors: **Brian J. Smith**, Farmington Hills, MI (US); **Robin Krieg**, Bloomfield Hills, MI (US)
- (73) Assignee: **GM Global Technology Operations LLC**, Detroit, MI (US)
- (**) Term: **14 Years**
- (21) Appl. No.: **29/498,144**
- (22) Filed: **Jul. 31, 2014**
- (51) **LOC (10) Cl.** **12-16**
- (52) **U.S. Cl.**
USPC **D12/163**
- (58) **Field of Classification Search**
USPC D12/163, 196, 86, 90-92, 171, 169,
D12/216; 180/68.1, 68.6; 293/193.11
CPC B62D 25/08; B62B 9/16; B60K 11/08;
B60R 19/52
See application file for complete search history.

					296/180.1
D670,213	S	*	11/2012	Koehl D12/163
D679,225	S	*	4/2013	Gifford D12/163
D680,909	S	*	4/2013	Munson D12/92
D702,601	S	*	4/2014	Wada D12/163
D704,103	S	*	5/2014	Mack D12/92
D708,555	S	*	7/2014	Mackay D12/163
D712,316	S	*	9/2014	O'Donnell D12/163
D718,189	S	*	11/2014	Krieg D12/92
D730,783	S	*	6/2015	Henriques D12/163

OTHER PUBLICATIONS

Design U.S. Appl. No. 29/466,635, filed Sep. 10, 2013; First Named Inventor: Louis D. Thole; Title: Vehicle Grille.
 Design U.S. Appl. No. 29/471,417, filed Oct. 31, 2013; First Named Inventor: Robin Krieg; Title: Vehicle Body Exterior.
 Design U.S. Appl. No. 29/473,976, filed Nov. 27, 2013; First Named Inventor: Alexandre Batista Da Silva Henriques; Title: Vehicle Grille Assembly.

* cited by examiner

Primary Examiner — Melody N. Brown

(74) *Attorney, Agent, or Firm* — Reising Ethington P.C.

(57) **CLAIM**

The ornamental design for a vehicle grille, as shown and described.

DESCRIPTION

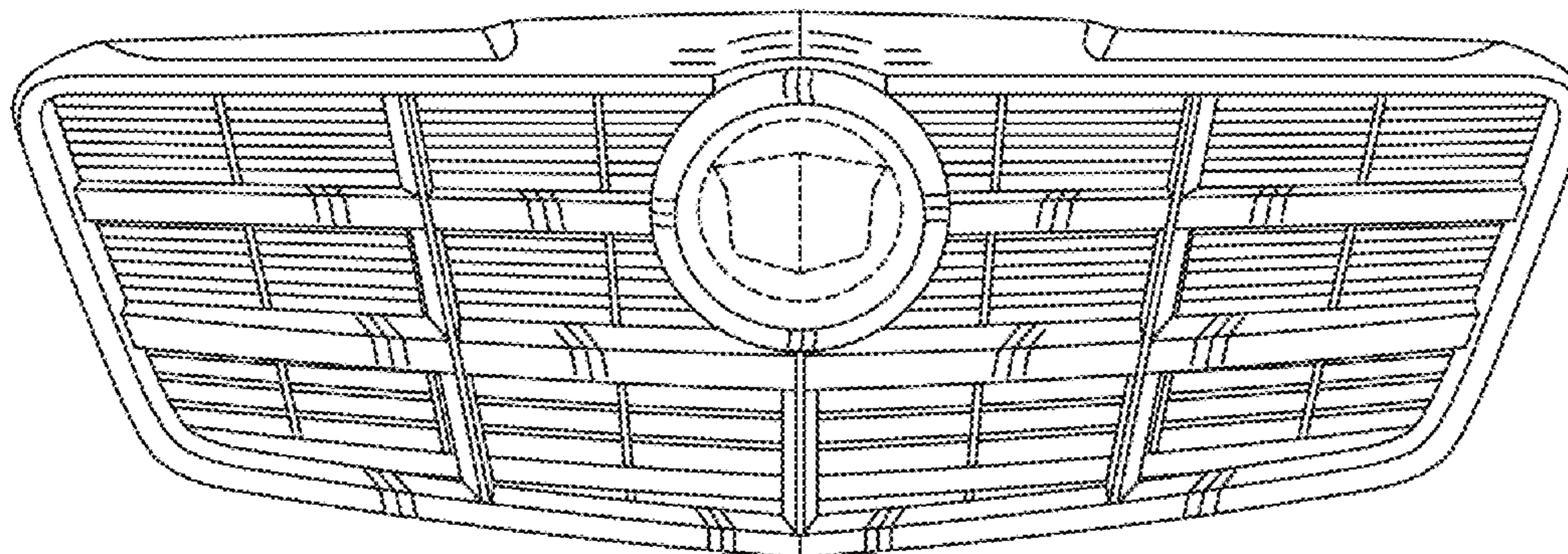
FIG. 1 is a front perspective view of a vehicle grille showing our new design;
 FIG. 2 is a front view thereof;
 FIG. 3 is a top plan view thereof; and,
 FIG. 4 is a left side elevation view thereof.
 The right side elevation view of the vehicle grille is omitted because the right side elevation view is identical to the left side elevation view. Further, in the drawings, the portions shown by broken lines form no part of the claim.

1 Claim, 1 Drawing Sheet

(56) **References Cited**

U.S. PATENT DOCUMENTS

D604,210	S	*	11/2009	Kim D12/163
D623,090	S	*	9/2010	Cox D12/92
7,896,409	B2	*	3/2011	Abdelnour B60R 19/52 180/68.6
D644,148	S	*	8/2011	Smart D12/91
D644,567	S	*	9/2011	Kozub D12/92
D656,869	S	*	4/2012	Fetherston D12/163
D660,751	S	*	5/2012	Matei D12/163
D668,183	S	*	10/2012	Smart D12/92
8,292,350	B2	*	10/2012	Li B62D 35/005



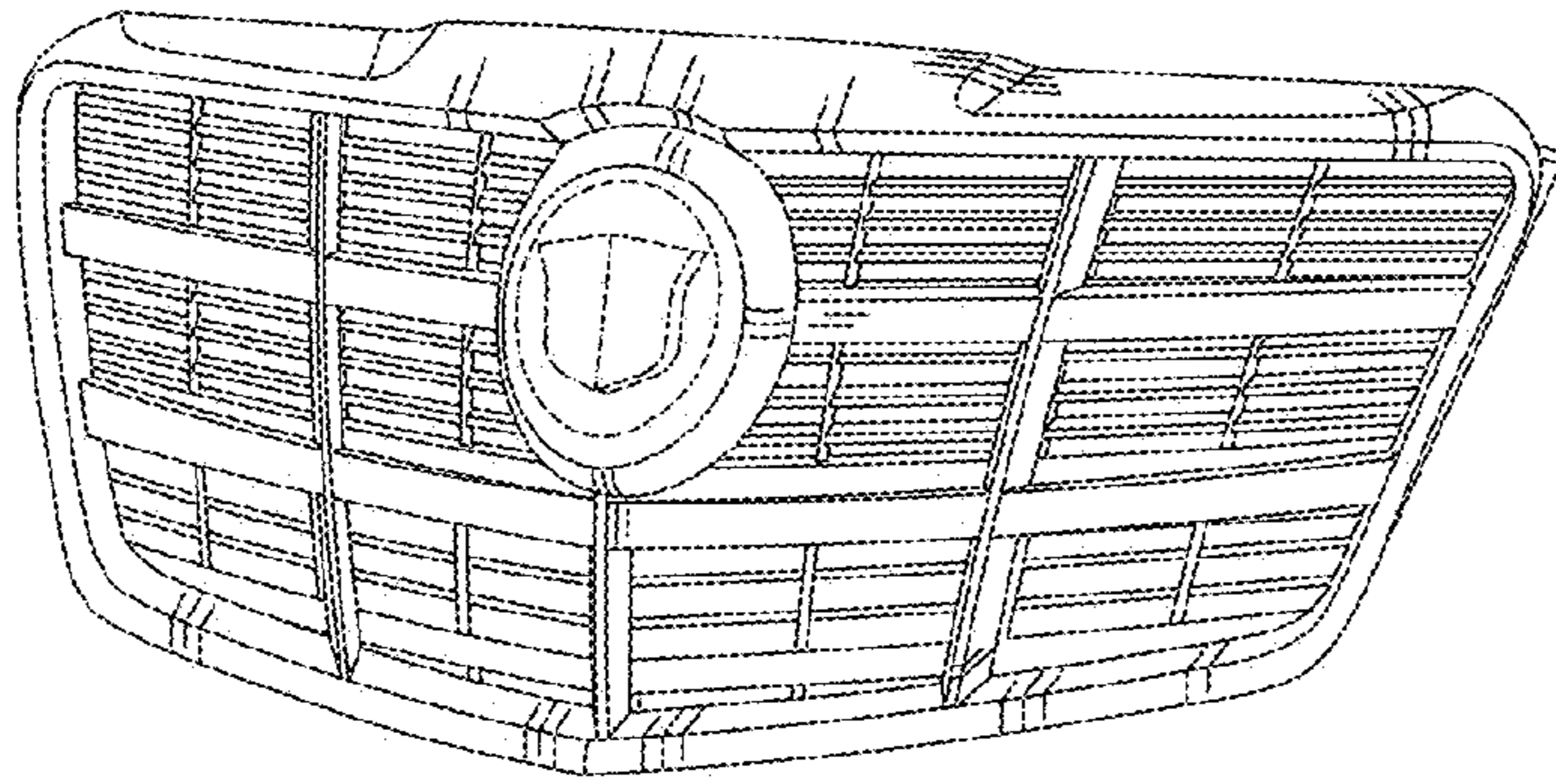


Fig-1

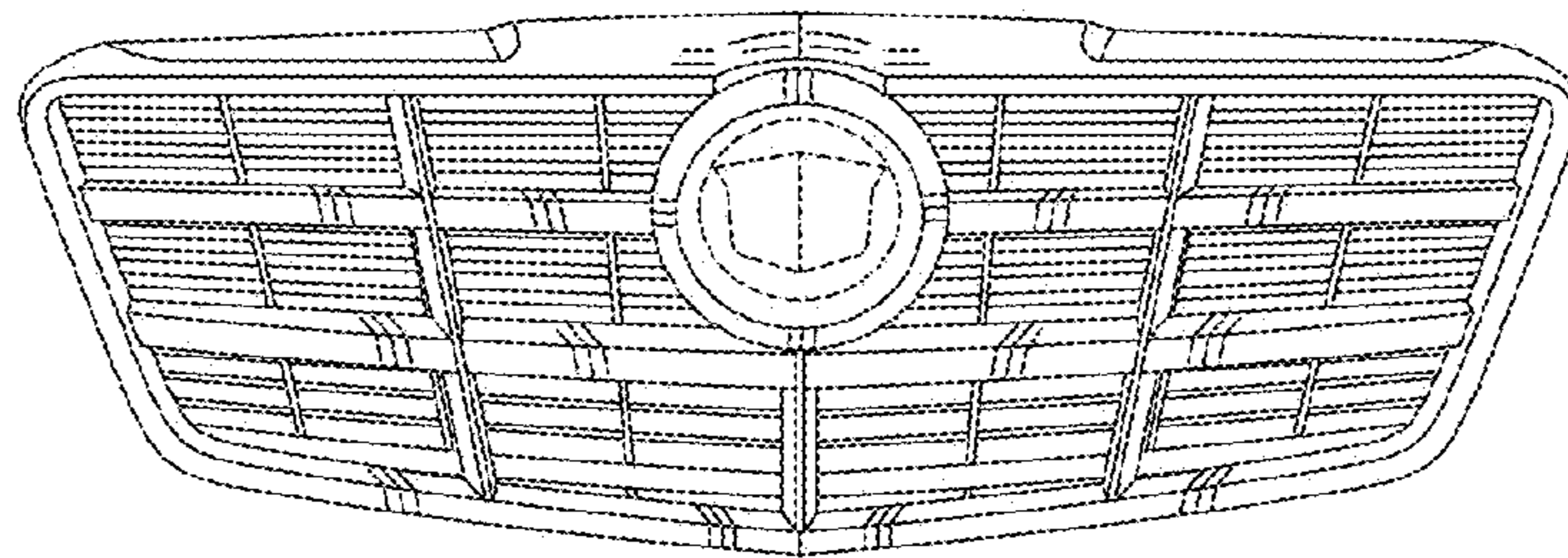


Fig-2

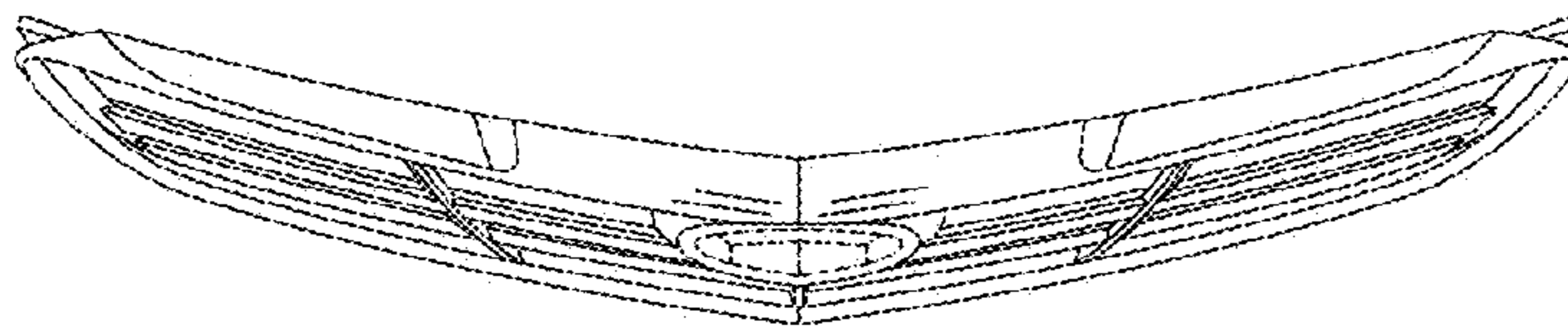


Fig-3

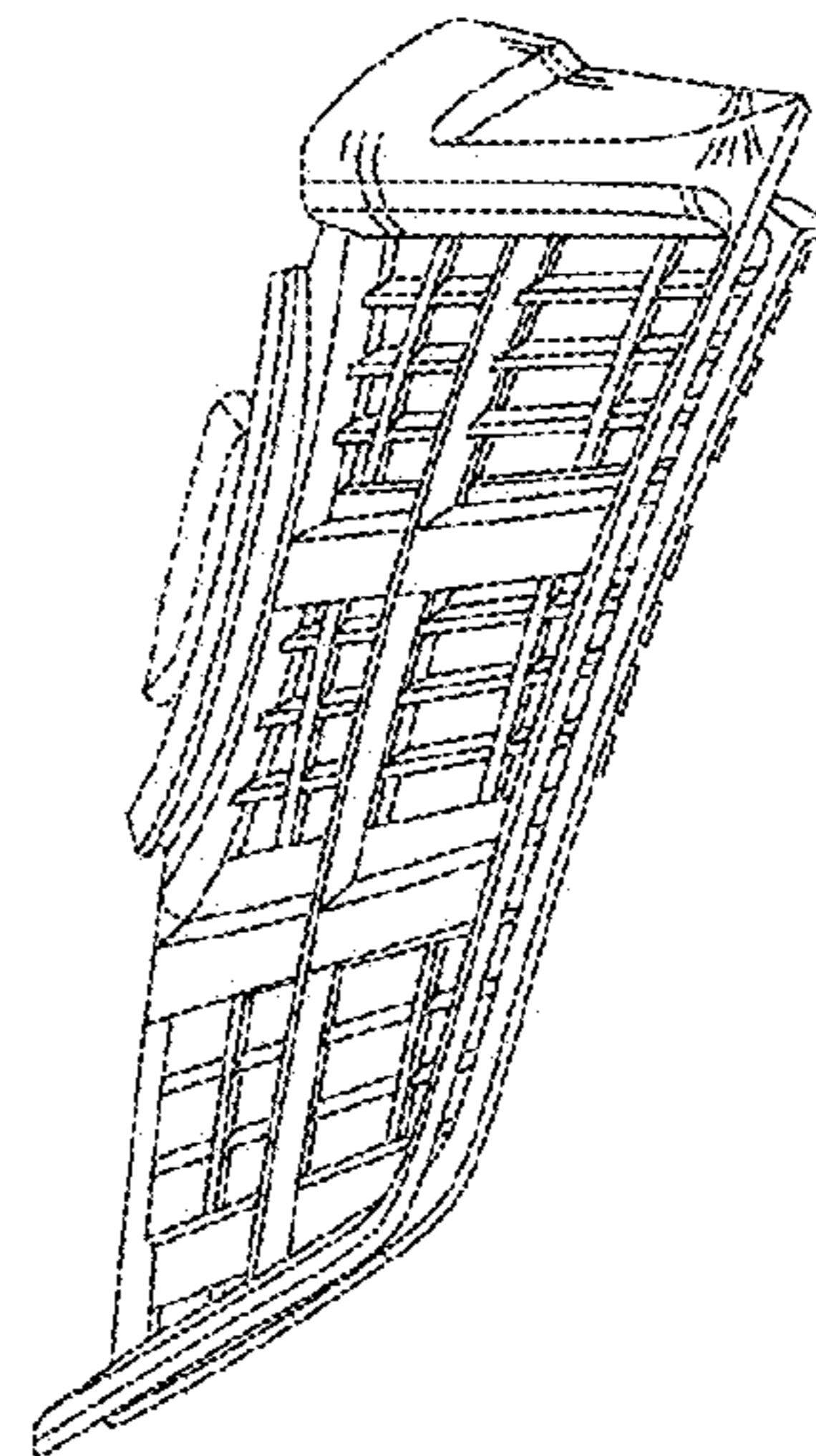


Fig-4