



US00D746724S

(12) **United States Design Patent**  
**Mascull et al.**

(10) **Patent No.:** **US D746,724 S**  
(45) **Date of Patent:** **\*\* Jan. 5, 2016**

- (54) **BASE OF A SEAT**
- (71) Applicants: **Graham John Mascull**, Ambleside (AU); **Anil Raman Patel**, Great Barr (GB)
- (72) Inventors: **Graham John Mascull**, Ambleside (AU); **Anil Raman Patel**, Great Barr (GB)
- (73) Assignee: **Roger Thomas Mascull and Elizabeth Jocelyn Mascull as Trustees of the RT and EJ Mascull Family Trust**, Allenton, Ashburton (NZ)
- (\*\*) Term: **14 Years**
- (21) Appl. No.: **29/513,211**
- (22) Filed: **Dec. 29, 2014**

6,032,975 A	3/2000	Hanson et al.	
6,378,947 B1	4/2002	Barber et al.	
D475,952 S	6/2003	Nelson et al.	
6,682,143 B2	1/2004	Amirault et al.	
6,840,577 B2 *	1/2005	Watkins	A61G 5/1064 297/284.9
7,036,512 B2	5/2006	Harnois	
D549,345 S	8/2007	Mascull	
D598,680 S	8/2009	Birk	
7,611,205 B2 *	11/2009	Chen	B60N 2/4606 297/250.1
7,625,043 B2 *	12/2009	Hartenstine	B60N 2/2806 297/250.1
7,669,926 B2 *	3/2010	Balensiefer	B60N 2/2851 297/250.1
7,735,921 B2 *	6/2010	Hutchinson	B60N 2/2806 297/256.13
8,123,295 B2 *	2/2012	Hutchinson	B60N 2/2806 297/256.13
8,276,988 B2 *	10/2012	Hartenstine	B60N 2/2821 297/250.1
D720,261 S	12/2014	Mascull et al.	
D721,179 S *	1/2015	Matsuda	D24/183
2004/0189068 A1 *	9/2004	Meeker	B60N 2/2806 297/250.1

**Related U.S. Application Data**

- (63) Continuation of application No. 29/446,480, filed on Feb. 25, 2013, now Pat. No. Des. 720,261.

(30) **Foreign Application Priority Data**

Aug. 27, 2012 (NZ) ..... 416648

- (51) **LOC (10) Cl.** ..... **12-12**

- (52) **U.S. Cl.**  
USPC ..... **D12/128**

(58) **Field of Classification Search**

USPC ..... D12/128-133  
 CPC ..... A61G 5/00-5/14; A47D 13/043;  
 A47D 13/107; A47D 13/04; A47D 13/005;  
 A47D 3/00

See application file for complete search history.

(56) **References Cited**

**U.S. PATENT DOCUMENTS**

D356,527 S	3/1995	Wohnsen et al.
5,447,356 A	9/1995	Snijders
D368,881 S	4/1996	Coombes et al.

\* cited by examiner

*Primary Examiner* — Susan Bennett Hattan

*Assistant Examiner* — Charles Hanson

(74) *Attorney, Agent, or Firm* — Merchant & Gould P.C.

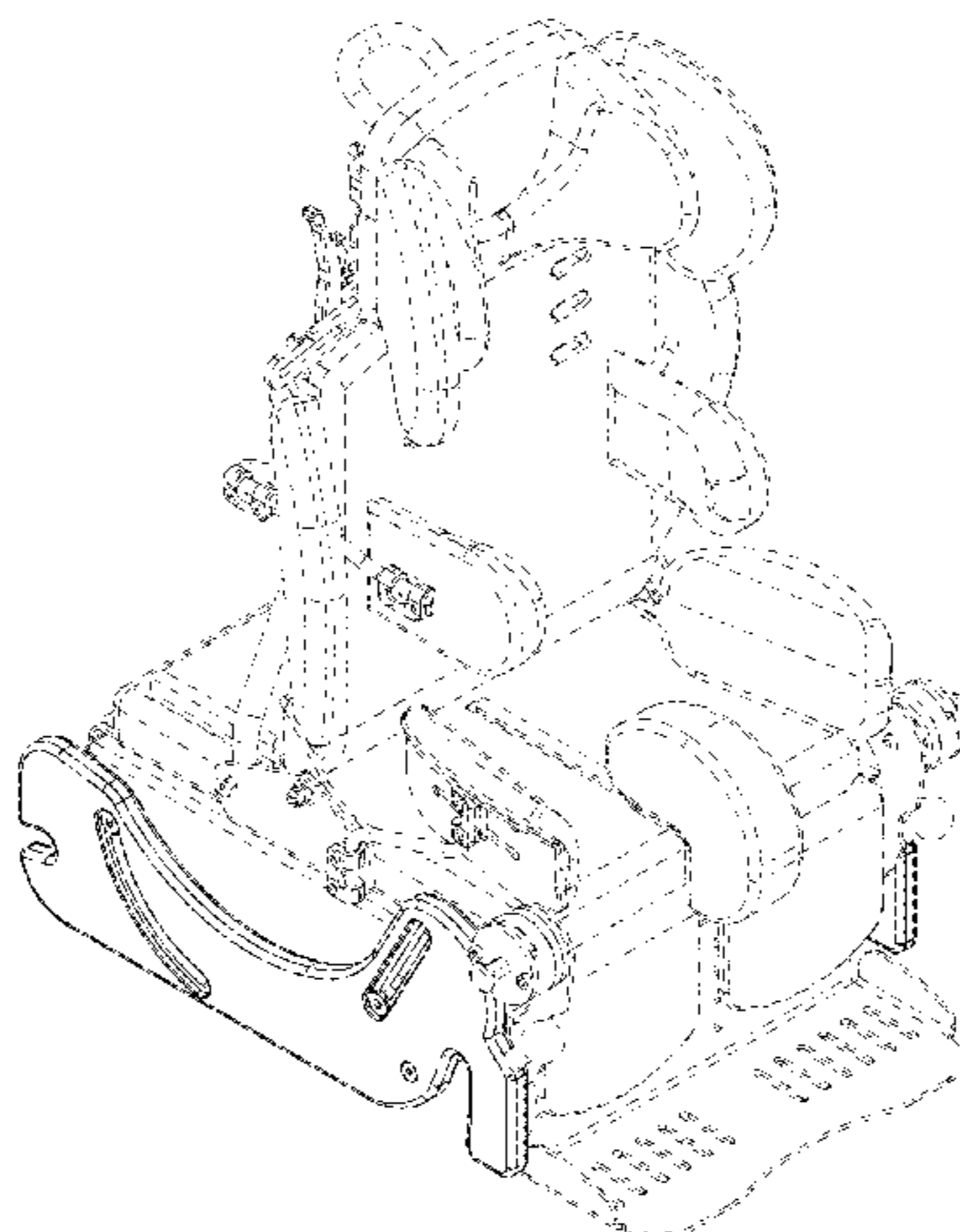
(57) **CLAIM**

The ornamental design for a base of a seat, as shown and described.

**DESCRIPTION**

FIG. 1. is a front isometric view of a base of a seat;  
 FIG. 2. is a back isometric view of the base of the seat;  
 FIG. 3. is a front view of the base of the seat;  
 FIG. 4. is a rear view of the base of the seat;  
 FIG. 5. is a side view of the base of the seat;  
 FIG. 6. is an opposite side view of the base of the seat;  
 FIG. 7. is a top view of the base of the seat; and,  
 FIG. 8. is a bottom view of the base of the seat.  
 The broken lines depict portions of the base of the seat that form no part of the claimed design.

**1 Claim, 8 Drawing Sheets**



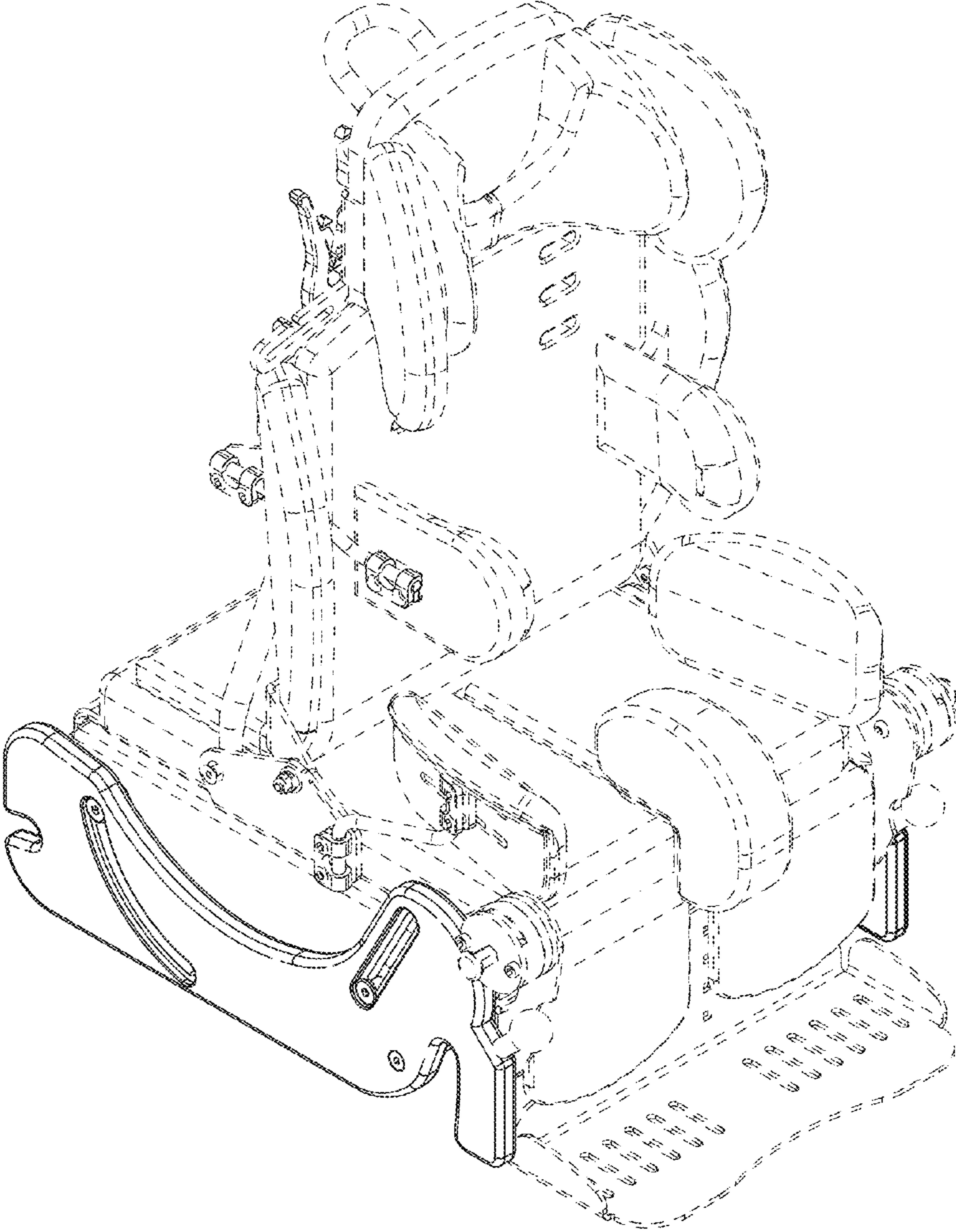


FIG.1

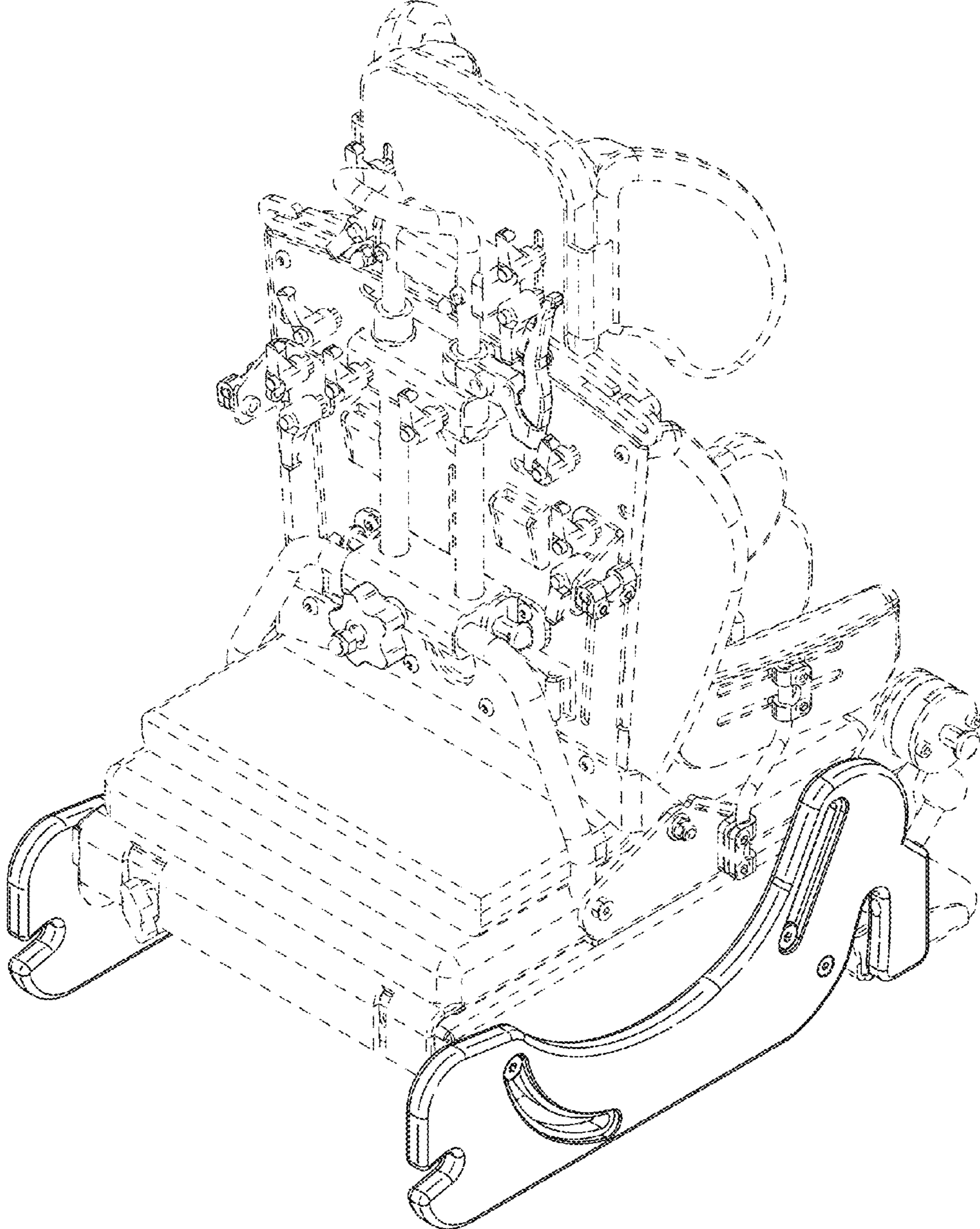


FIG.2

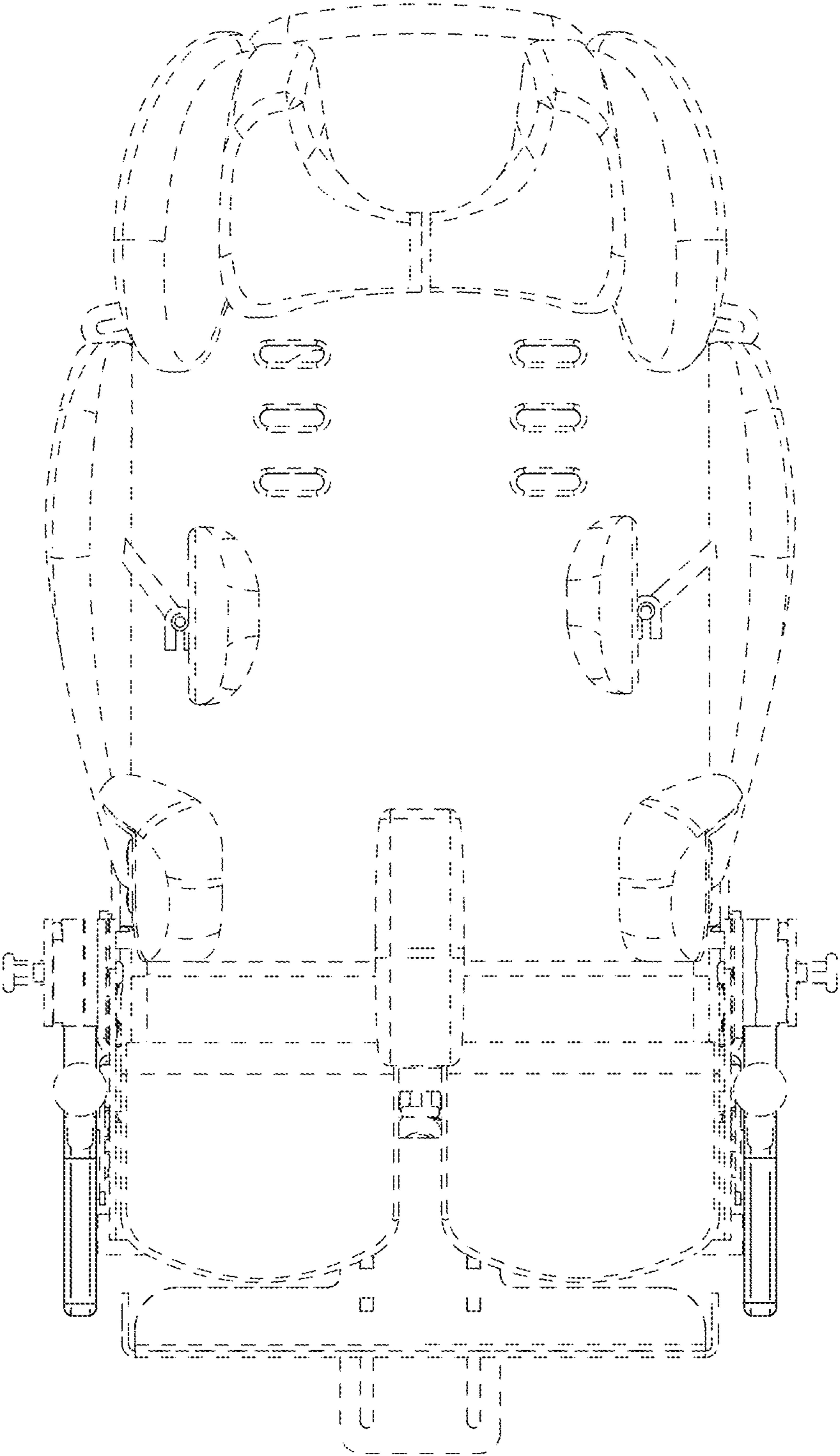


FIG.3

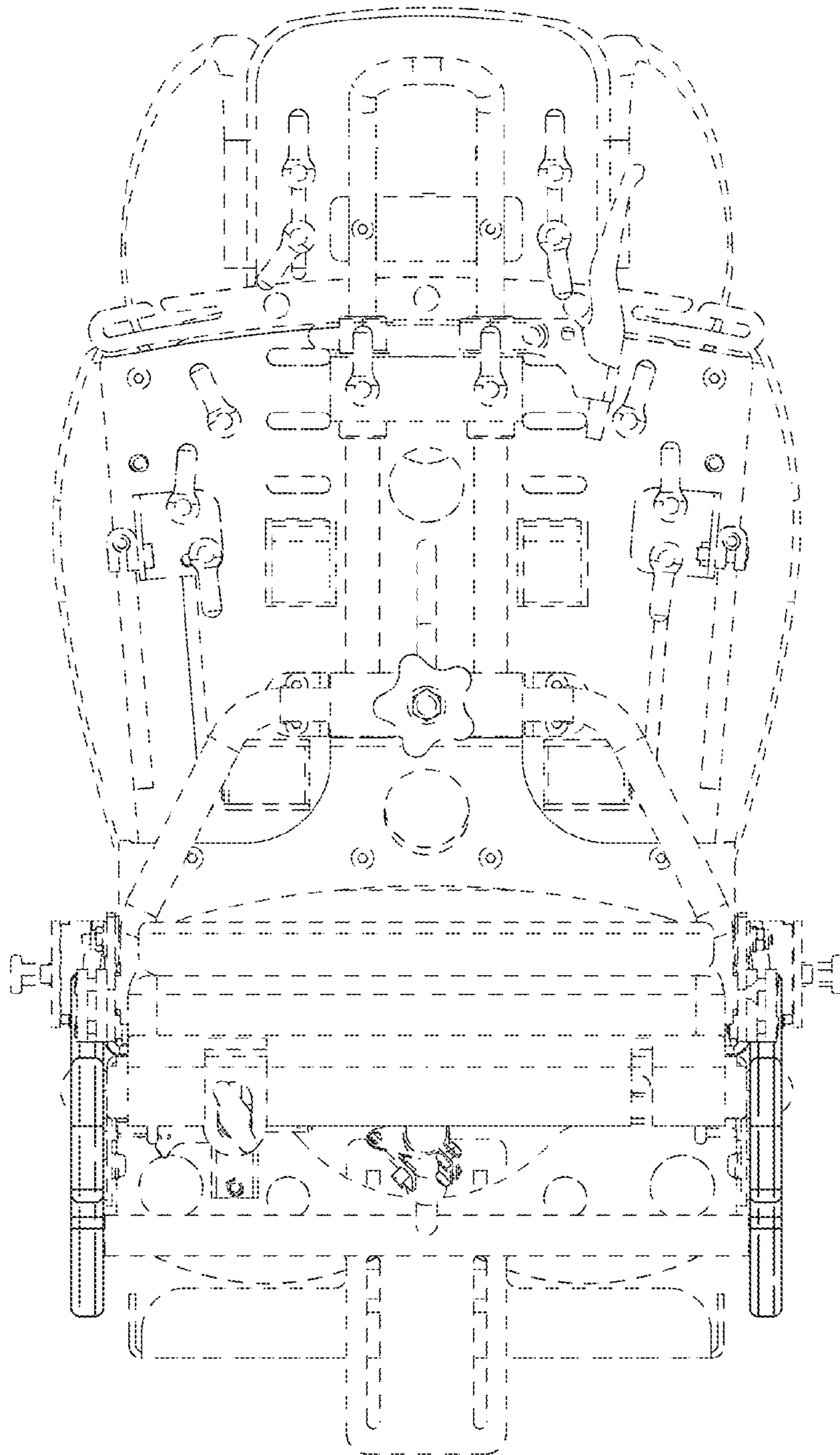


FIG.4

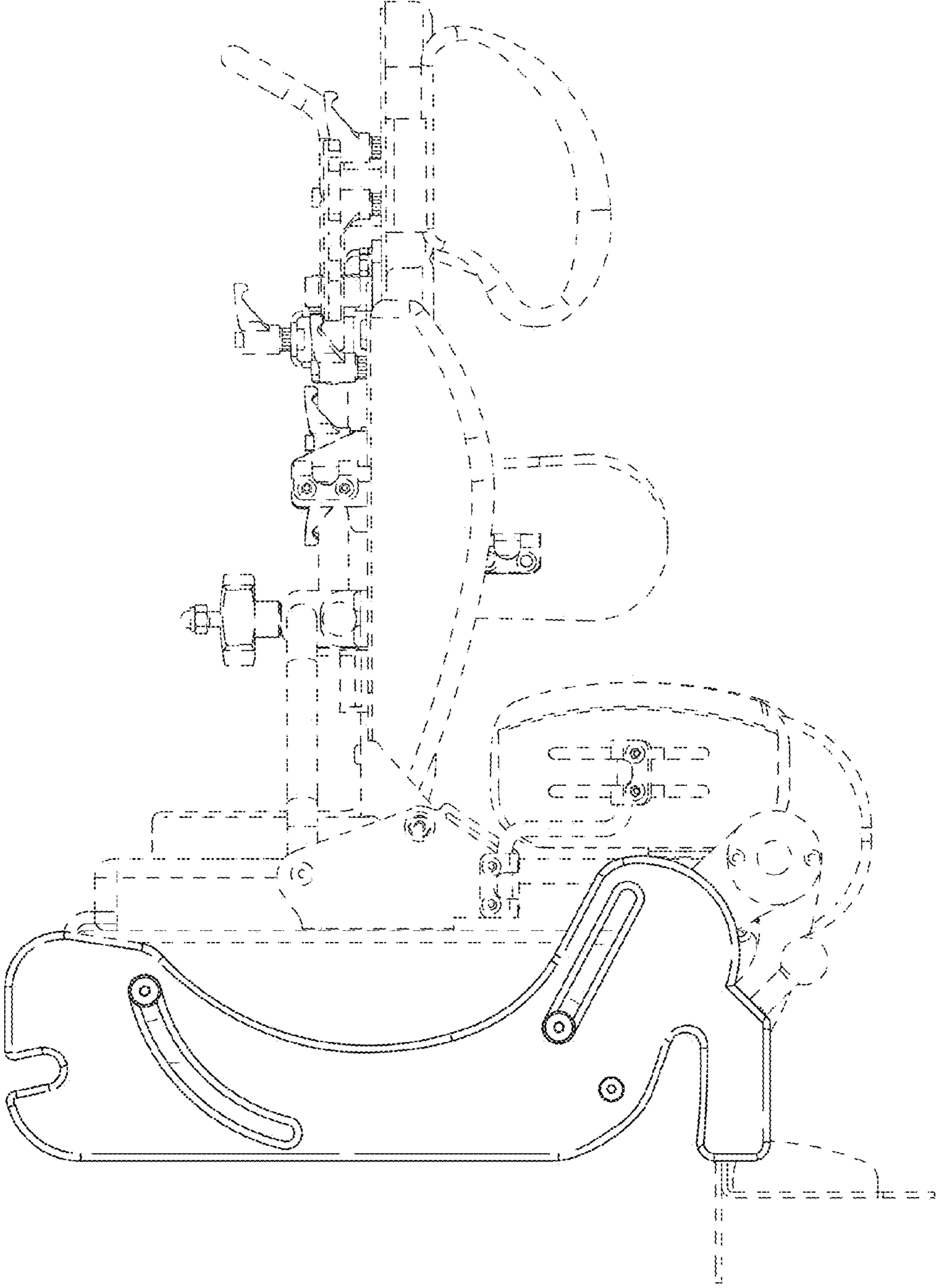


FIG.5

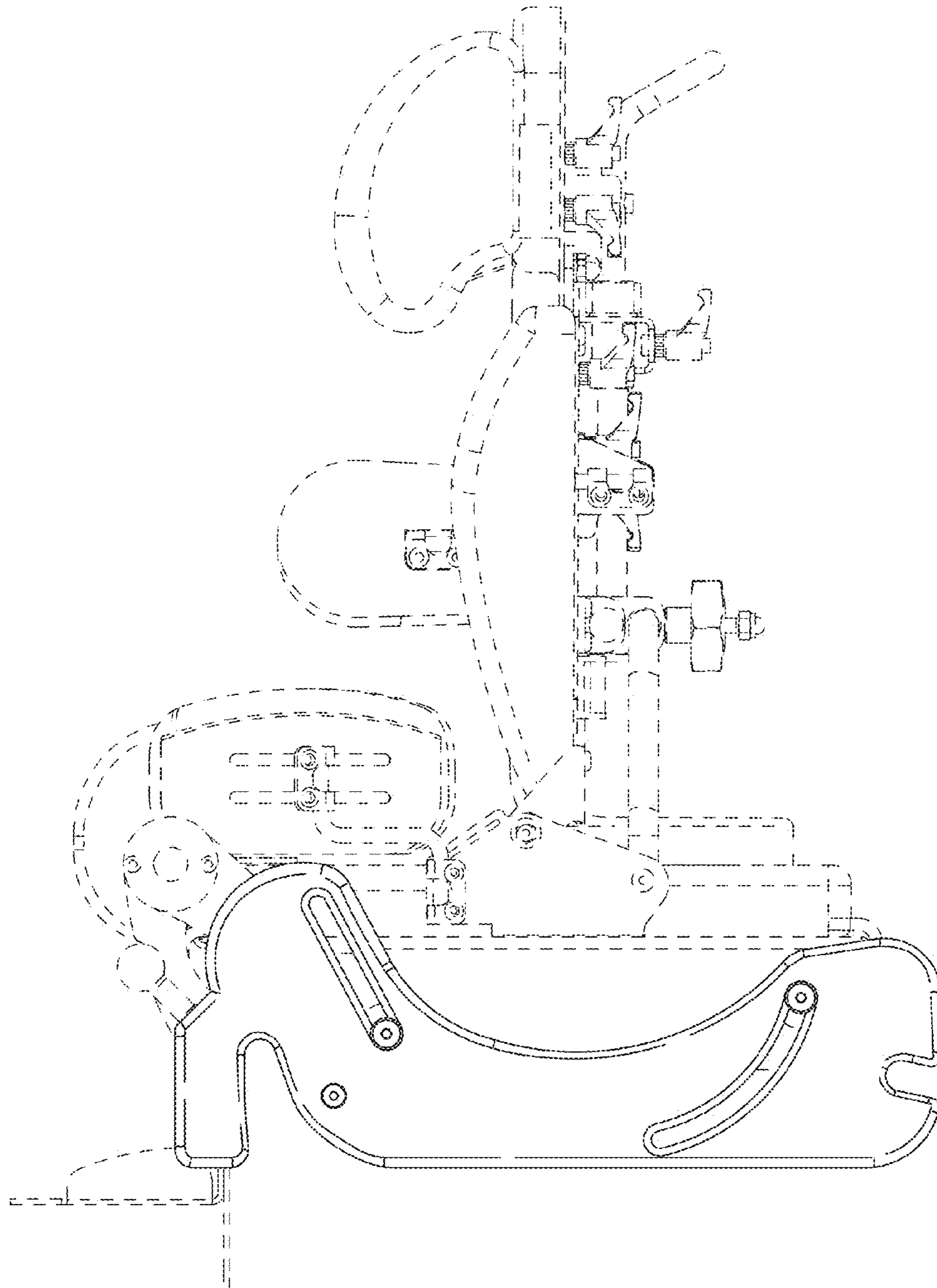


FIG.6

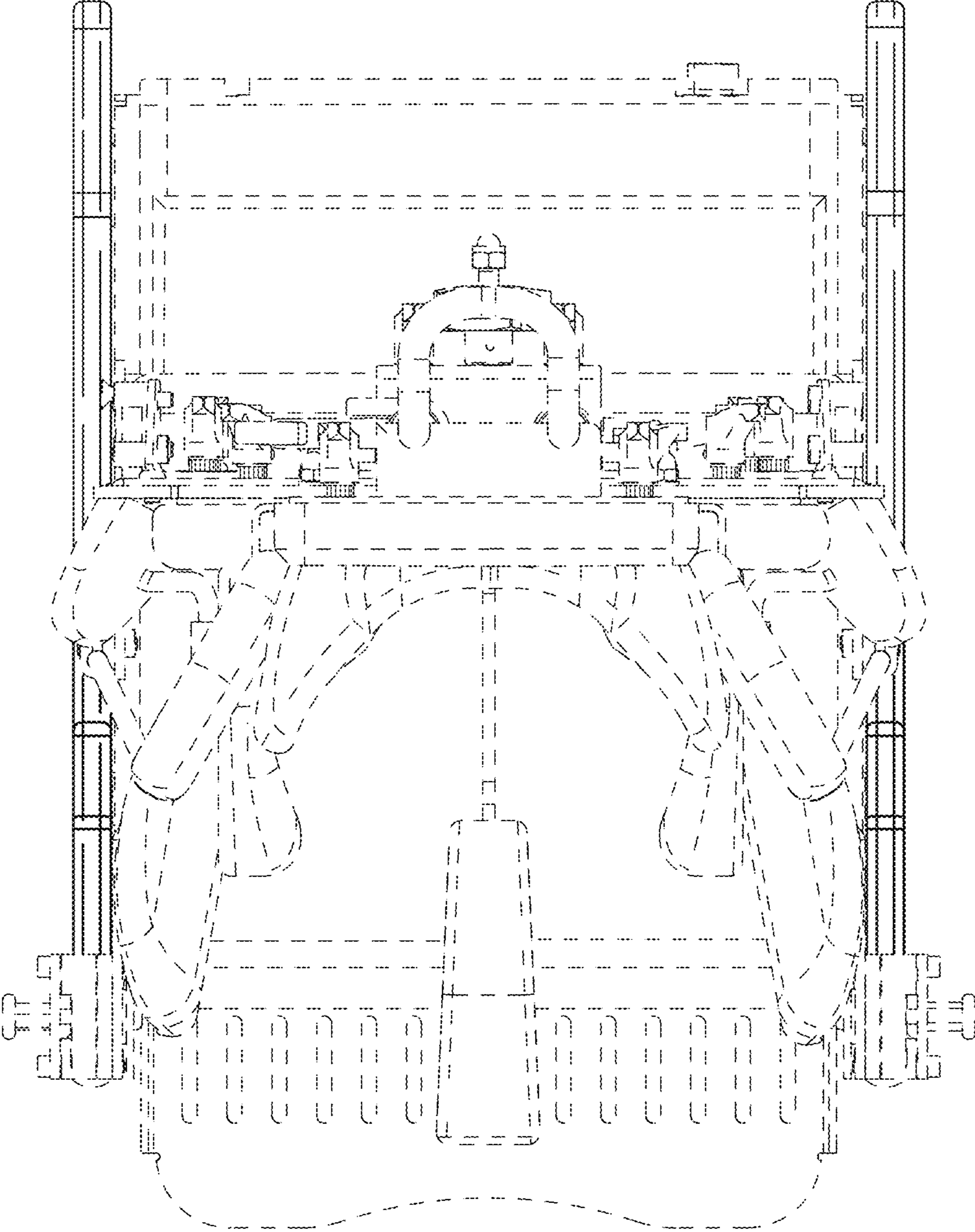


FIG.7



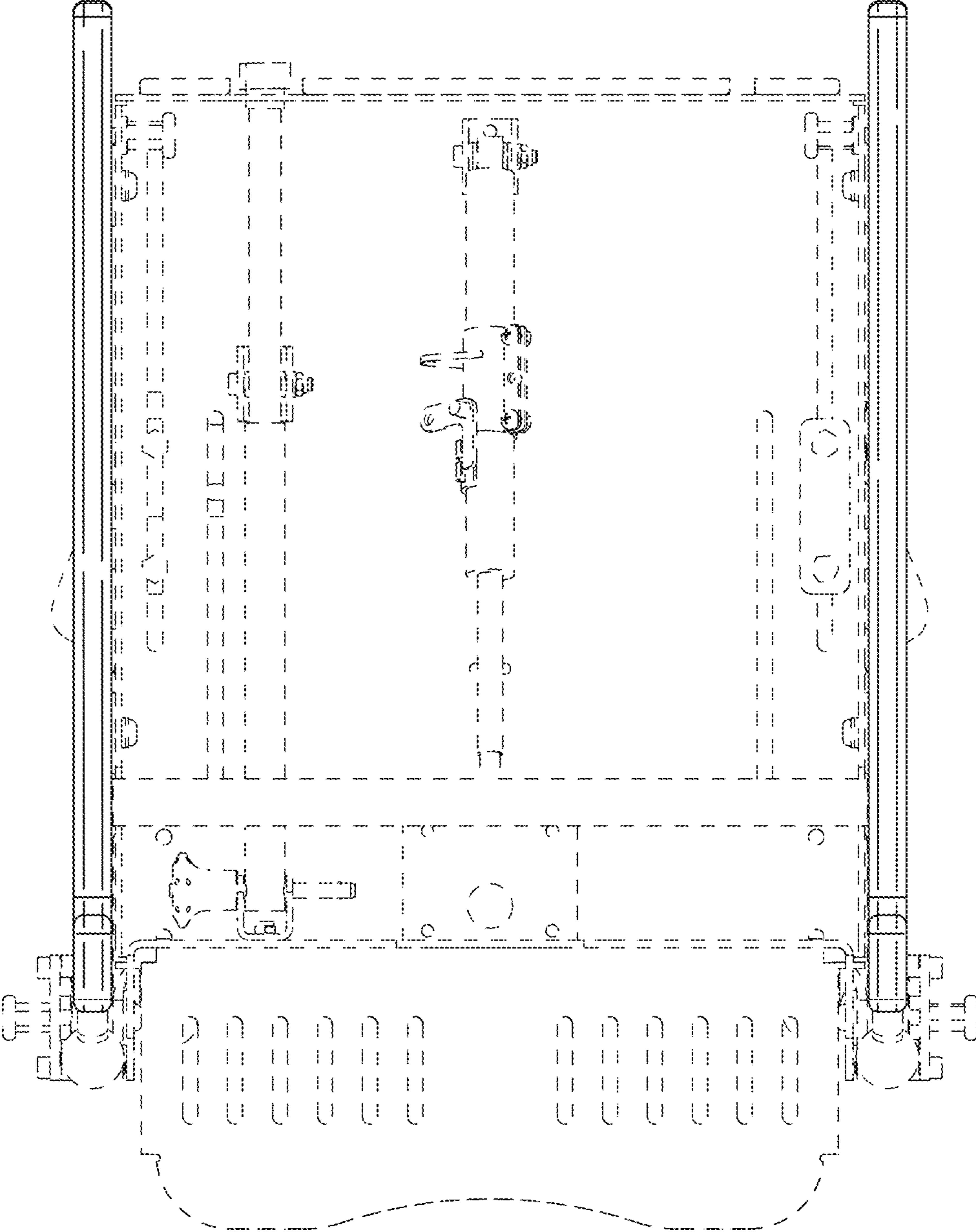


FIG.8