



US00D746723S

(12) **United States Design Patent**
Lenzi et al.

(10) **Patent No.:** **US D746,723 S**
(45) **Date of Patent:** **** Jan. 5, 2016**

(54) **TRAILER FOR BICYCLES**

(56) **References Cited**

(71) Applicant: **BRUEGGLI**

U.S. PATENT DOCUMENTS

(72) Inventors: **Arno Lenzi**, Zurich (CH); **Marco Stoffel**, Zurich (CH); **Tom Staubli**, Zurich (CH); **Nico Spinelli**, Zurich (CH)

D461,747 S *	8/2002	Martin	D12/101
D522,920 S *	6/2006	Anderson	D12/101
D586,264 S *	2/2009	Liao	D12/101
D601,059 S *	9/2009	Greer	D12/101
D633,825 S *	3/2011	van Leeuwen	D12/101
D649,912 S *	12/2011	Chen	D12/101
D660,748 S *	5/2012	Cooley	D12/101
D698,700 S *	2/2014	Dempsey	D12/101
D698,701 S *	2/2014	Dempsey	D12/101
D706,684 S *	6/2014	Dempsey	D12/101

(73) Assignee: **Brueggli**, Romanshorn (CH)

(**) Term: **14 Years**

* cited by examiner

(21) Appl. No.: **29/509,030**

Primary Examiner — Katrina A Betton

(22) Filed: **Nov. 13, 2014**

(74) *Attorney, Agent, or Firm* — Caesar Rivise, PC

(30) **Foreign Application Priority Data**

May 13, 2014	(EM)	002462945-0001
May 13, 2014	(EM)	002462945-0002
May 13, 2014	(EM)	002462945-0003
May 13, 2014	(EM)	002462945-0004

(57) **CLAIM**

The ornamental design for a trailer for bicycles, as shown and described.

(51) **LOC (10) Cl.** **12-10**

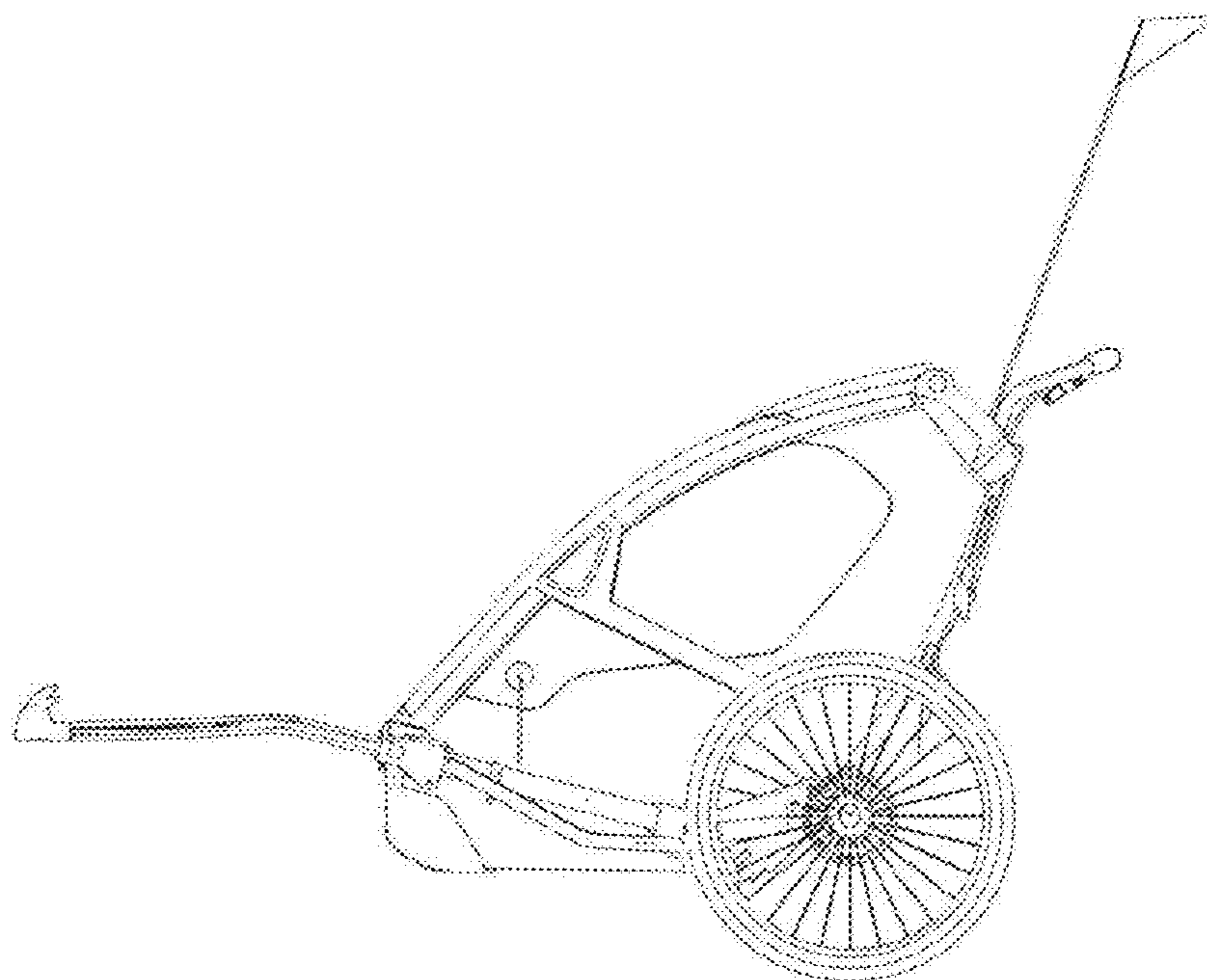
DESCRIPTION

(52) **U.S. Cl.**
USPC **D12/101**

(58) **Field of Classification Search**
USPC D12/100–106, 19, 129, 111–112;
D34/12; D21/425, 435
CPC B62D 35/00; B62D 35/02; B60P 3/1033;
B60P 3/10; A62B 3/005
See application file for complete search history.

FIG. 1 is a front view of the trailer for bicycles;
FIG. 2 is a side view of the trailer for bicycles;
FIG. 3 is a top view of the trailer for bicycles;
FIG. 4 is a bottom view of the trailer for bicycles;
FIG. 5 is a back view of the trailer for bicycles;
FIG. 6 is an isometric back view of the trailer for bicycles;
and,
FIG. 7 is an isometric side view of the trailer for bicycles.

1 Claim, 7 Drawing Sheets



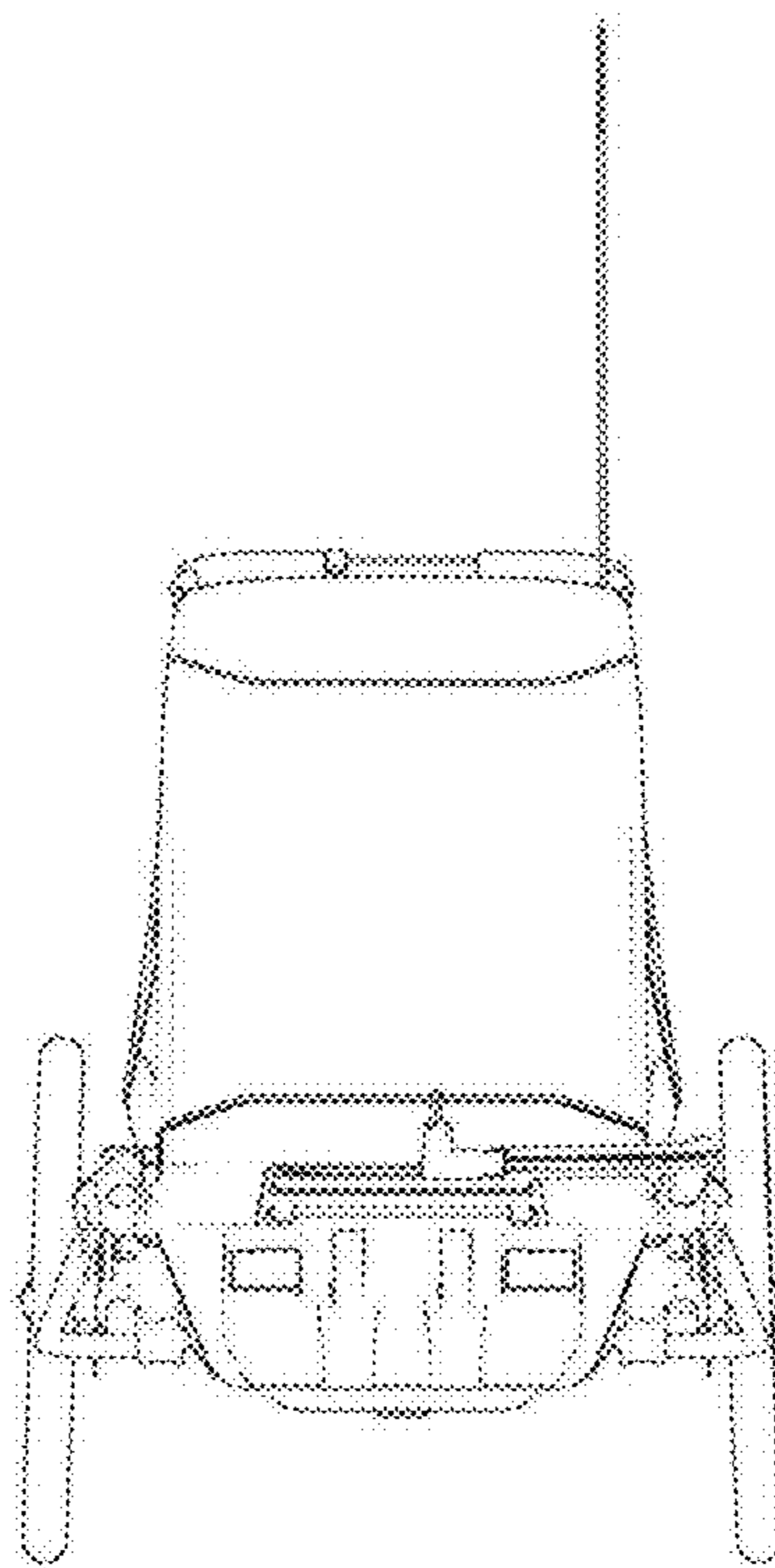


FIG. 1

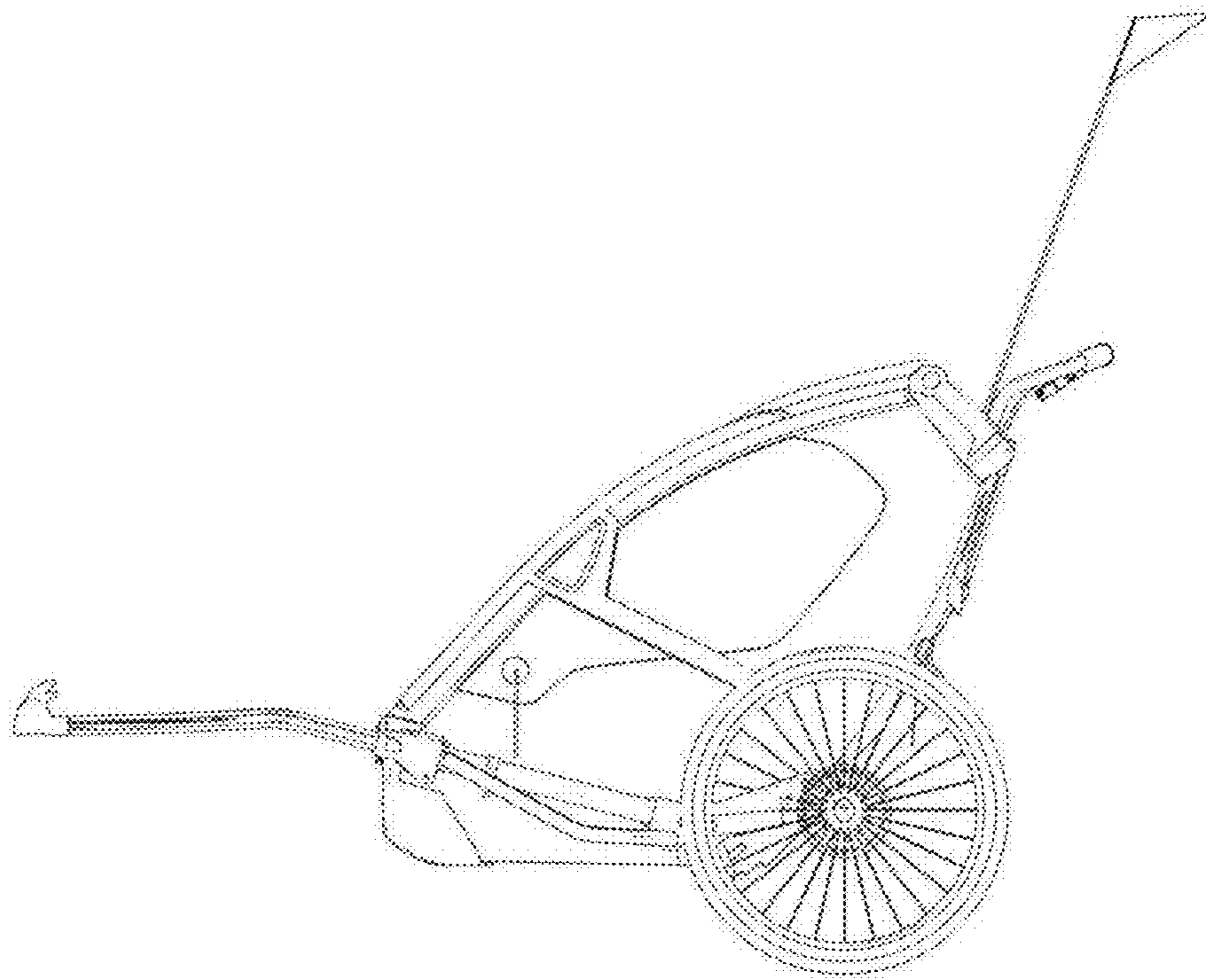


FIG. 2

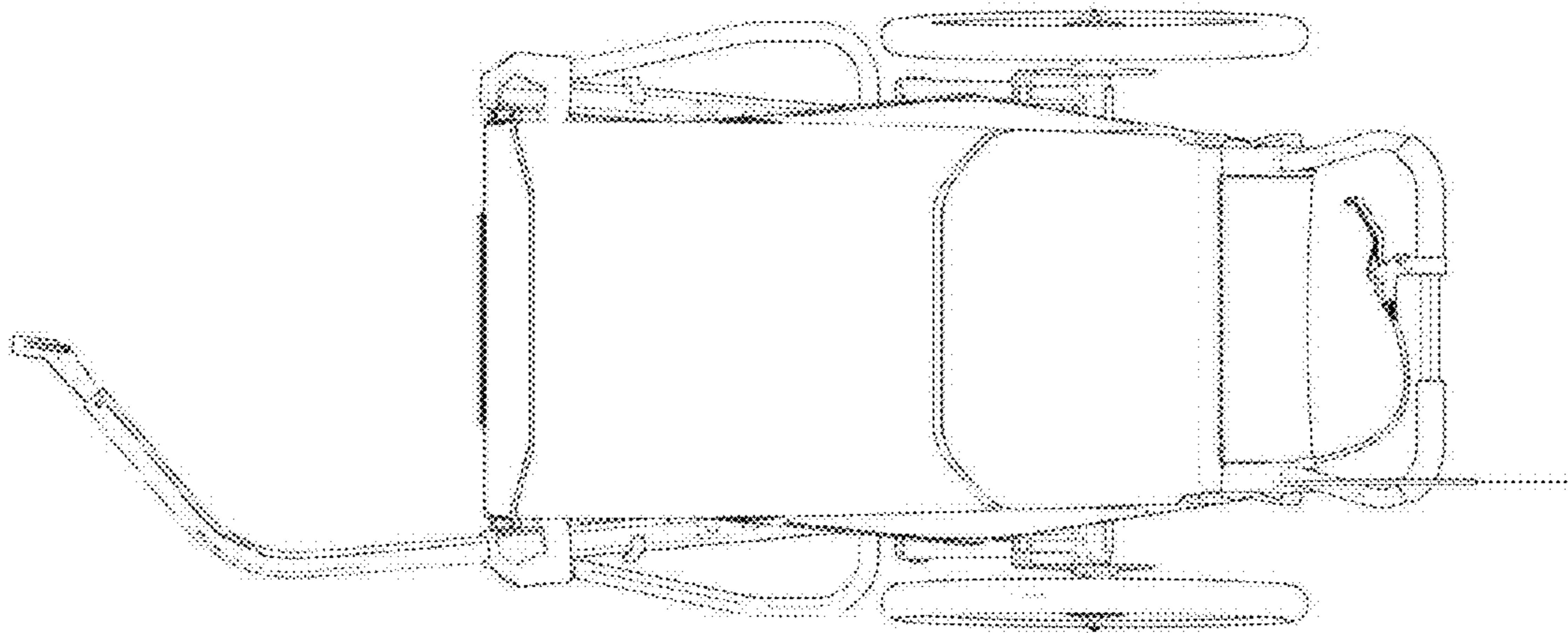


FIG. 3

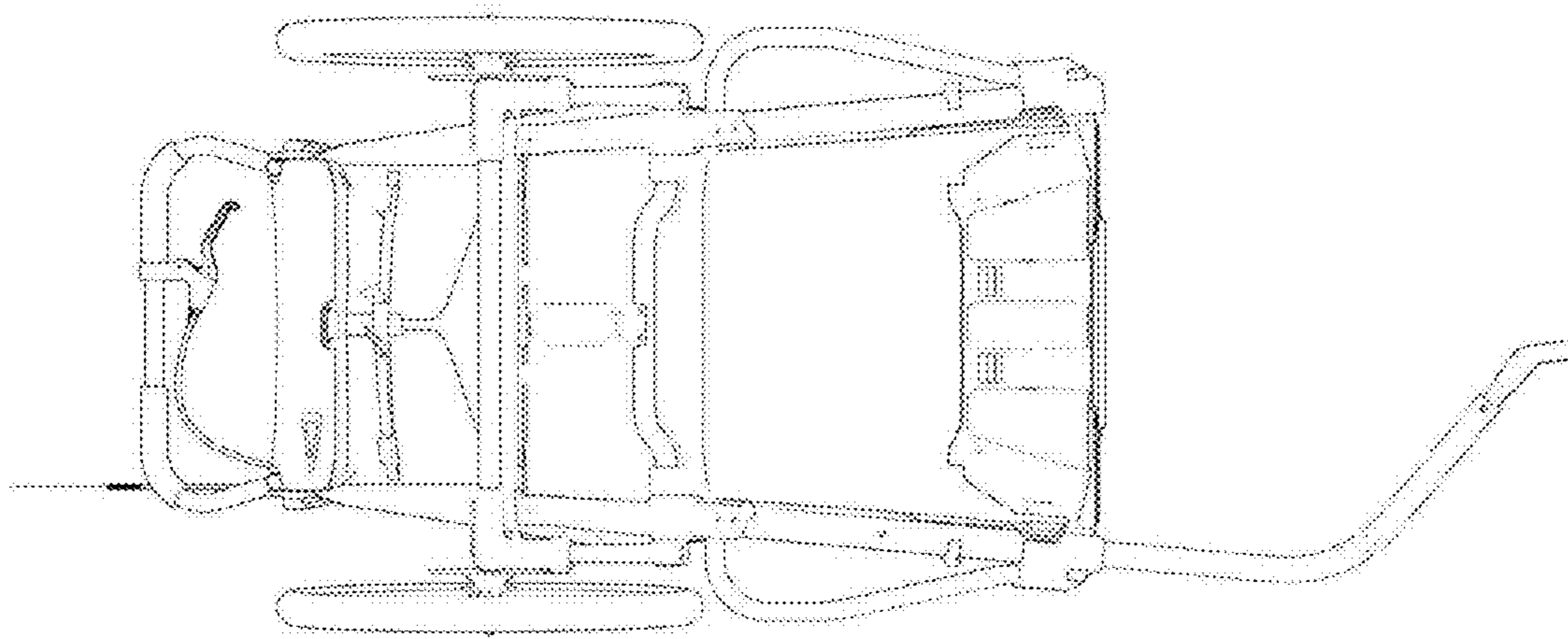


FIG. 4

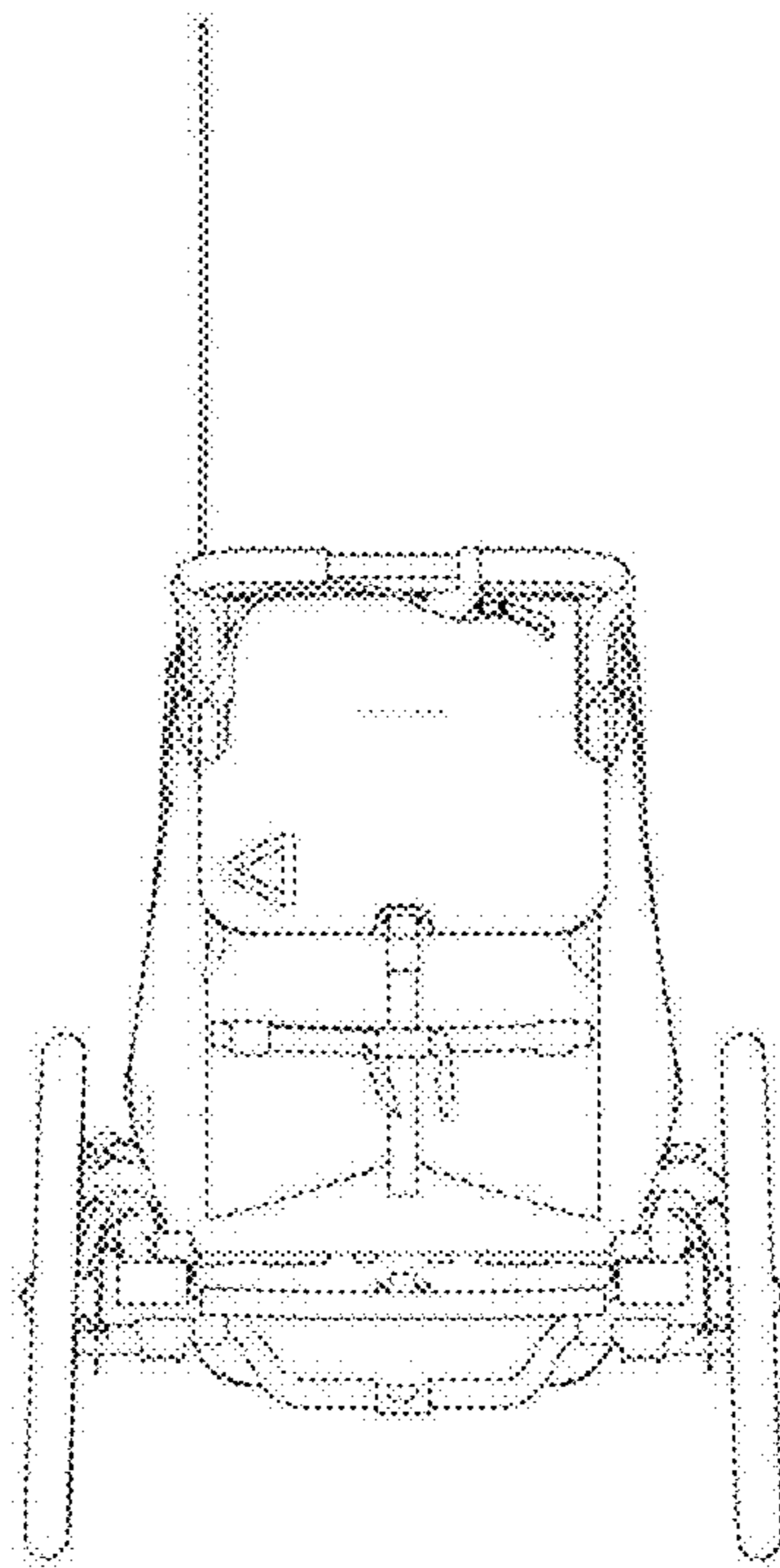


FIG. 5

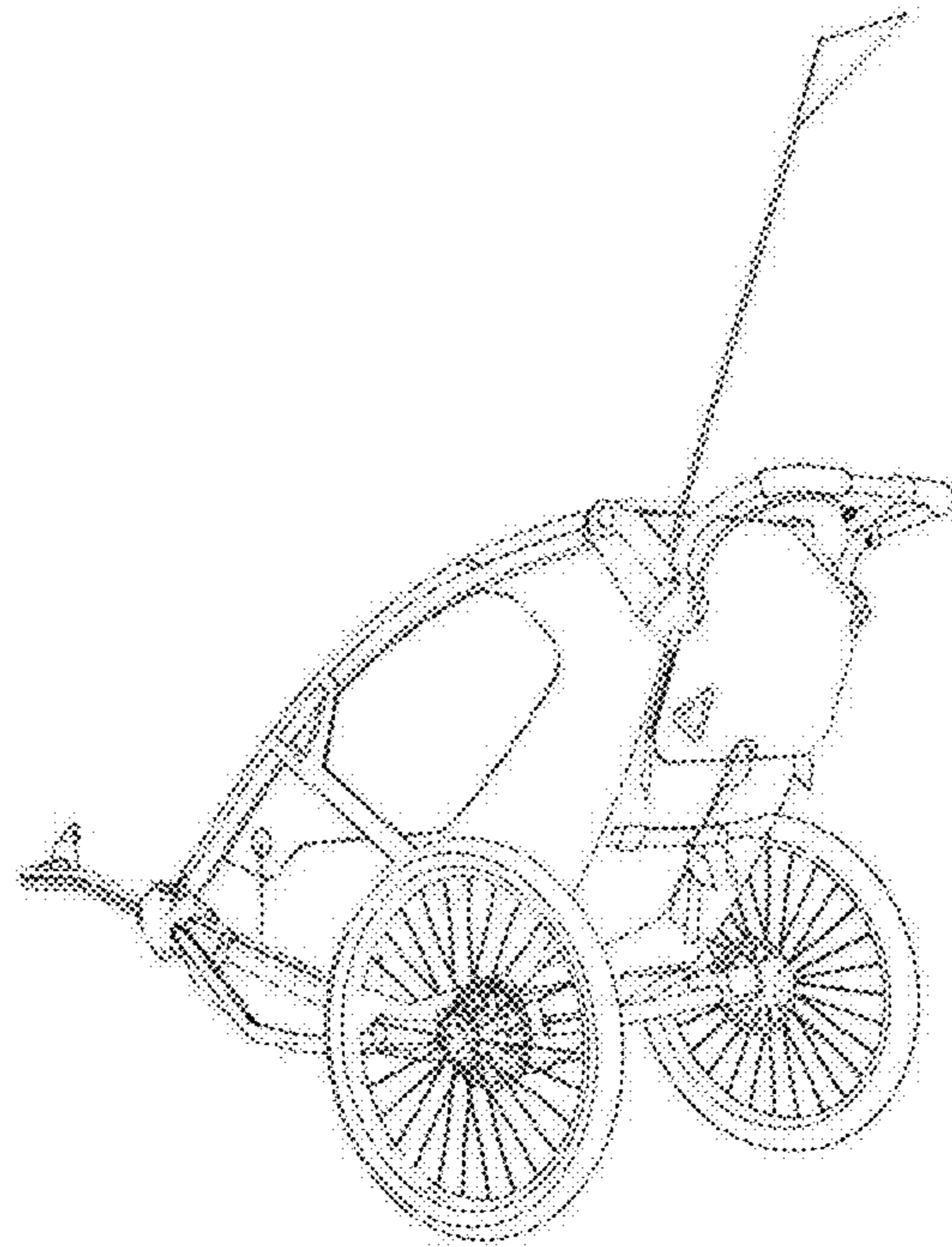


FIG. 6

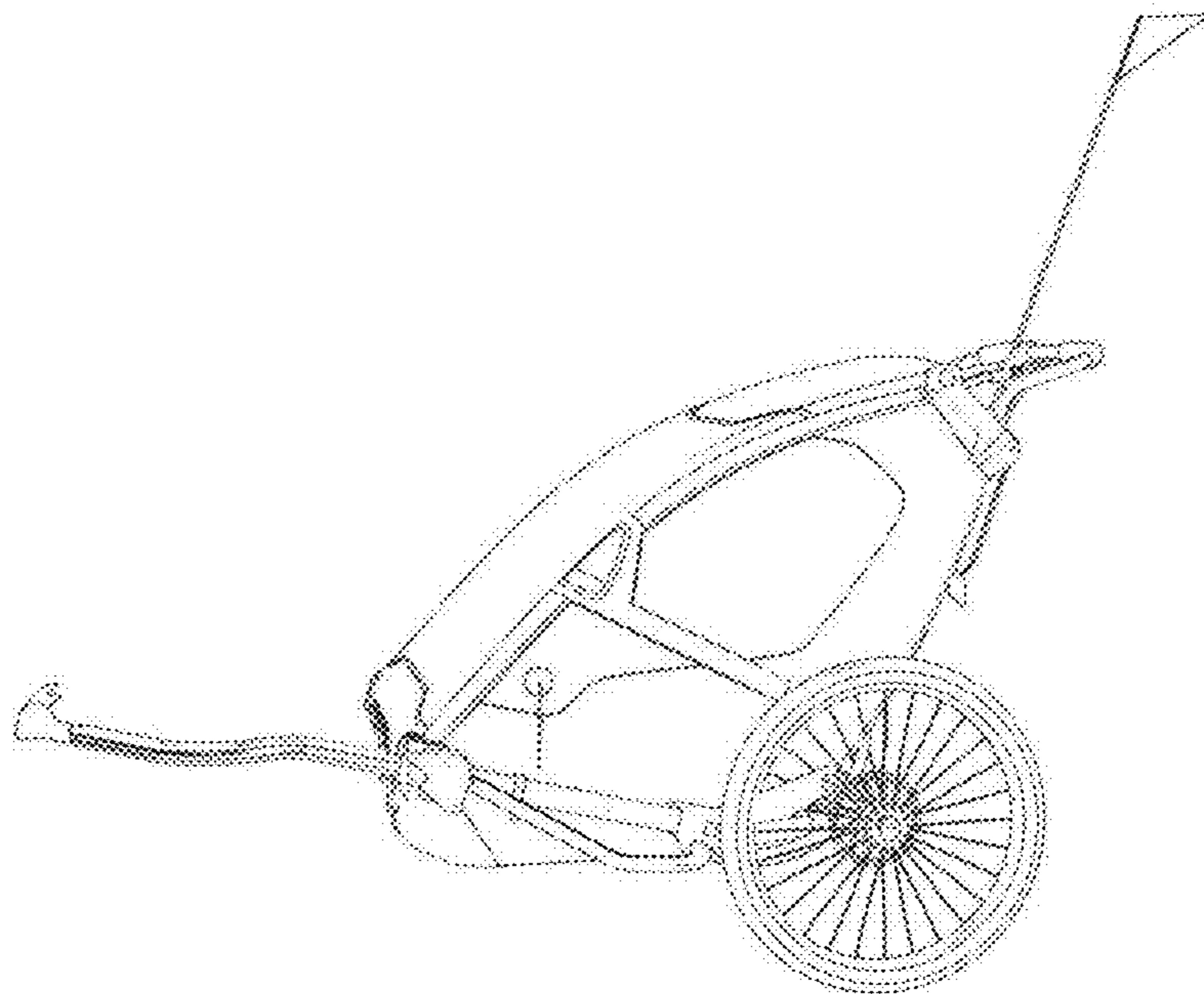


FIG. 7