



US00D746722S

(12) **United States Design Patent**
Henstridge

(10) **Patent No.:** **US D746,722 S**
(45) **Date of Patent:** **** Jan. 5, 2016**

(54) **VEHICLE**

(71) Applicant: **Jaguar Land Rover Limited**, Coventry (GB)

(72) Inventor: **Sean Henstridge**, Coventry (GB)

(73) Assignee: **Jaguar Land Rover Limited** (GB)

(**) Term: **14 Years**

(21) Appl. No.: **29/500,854**

(22) Filed: **Aug. 28, 2014**

(30) **Foreign Application Priority Data**

Mar. 5, 2014 (EM) 002417881

(51) **LOC (10) Cl.** **12-08**

(52) **U.S. Cl.**
USPC **D12/91**

(58) **Field of Classification Search**
USPC D12/86, 90-92; D21/421, 433, 434;
296/181.1, 181.5
CPC B62D 35/00; B62D 25/00; B62D 25/06;
B62D 25/08; B62D 33/00
See application file for complete search history.

(56) **References Cited**

U.S. PATENT DOCUMENTS

D243,521 S * 3/1977 Tixier D12/91
D272,137 S * 1/1984 Oshika et al. D12/91

D304,914 S * 12/1989 Winter D12/91
D338,431 S * 8/1993 Abele D12/91
D392,920 S * 3/1998 Verduyn et al. D12/91
D422,941 S * 4/2000 Sigurosson D12/91
D455,982 S * 4/2002 Iso et al. D12/91
D457,107 S * 5/2002 Kember et al. D12/91
D476,268 S * 6/2003 Castiglione et al. D12/91
D534,459 S * 1/2007 Kim et al. D12/91
D605,977 S * 12/2009 Zipfel et al. D12/91
D664,897 S * 8/2012 Ramaciotti D12/91
D691,516 S * 10/2013 Dockeray D12/91
D716,695 S * 11/2014 Woolley et al.

* cited by examiner

Primary Examiner — Melody N Brown

(74) *Attorney, Agent, or Firm* — Fishman Stewart Yamaguchi PLLC

(57) **CLAIM**

The ornamental design for a vehicle, as shown and described.

DESCRIPTION

FIG. 1 is a front perspective view of a vehicle;
FIG. 2 is a rear perspective view of a vehicle;
FIG. 3 is a left side view of a vehicle;
FIG. 4 is a right side view of a vehicle;
FIG. 5 is a front view of a vehicle;
FIG. 6 is a rear view of a vehicle; and,
FIG. 7 is a top view of a vehicle.
Portions of FIGS. 1-7 shown in dashed lines are for illustrative purposes only and form no part of the claimed design.

1 Claim, 6 Drawing Sheets

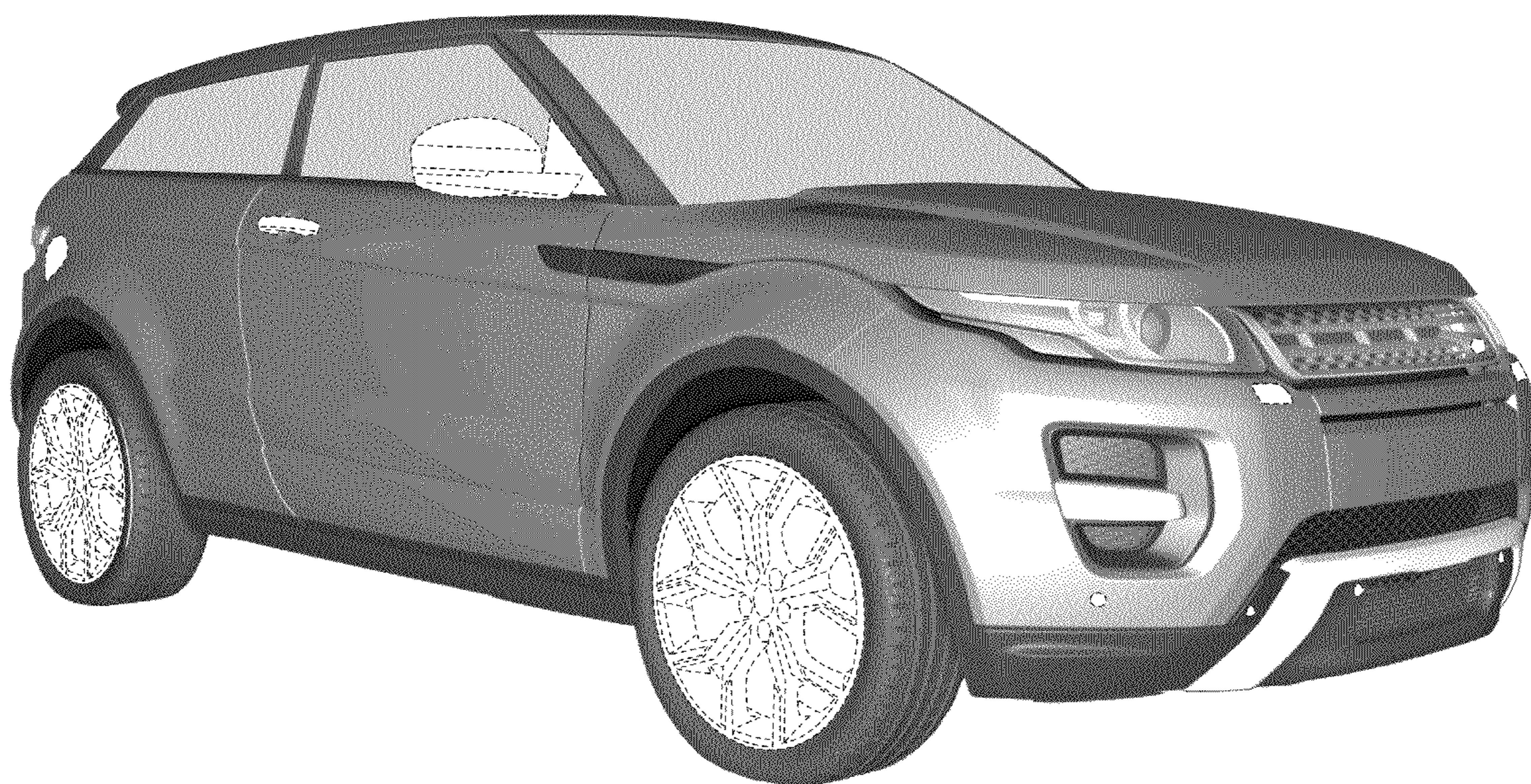




FIG. 1

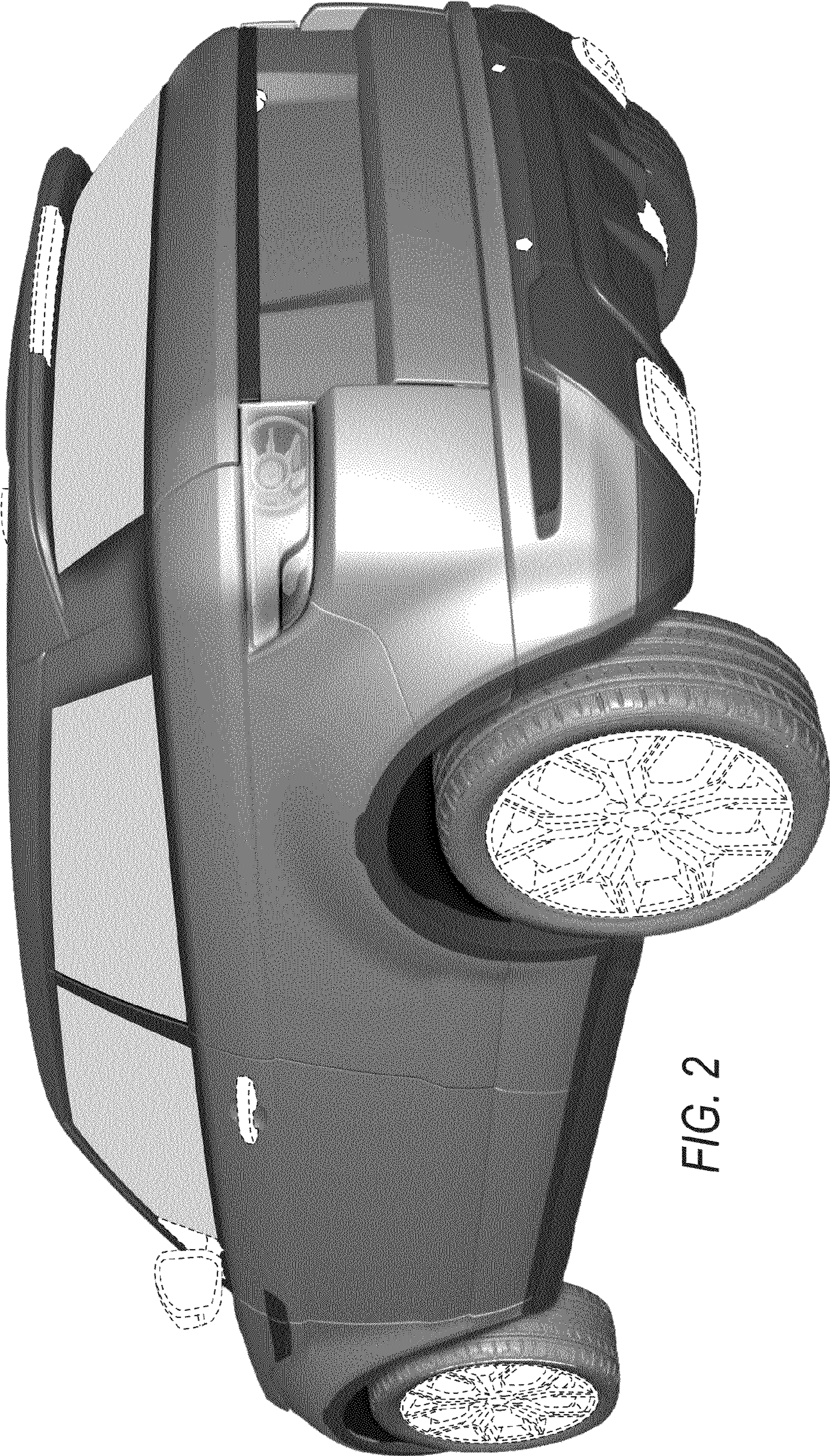


FIG. 2

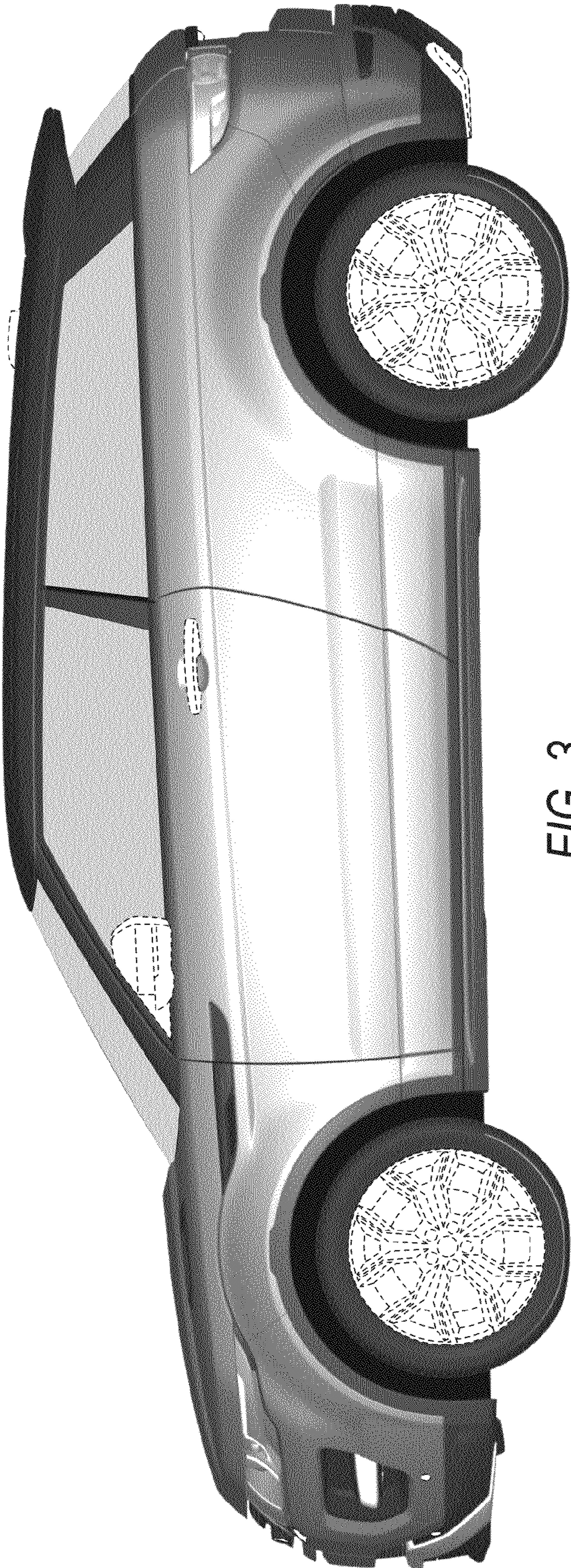


FIG. 3

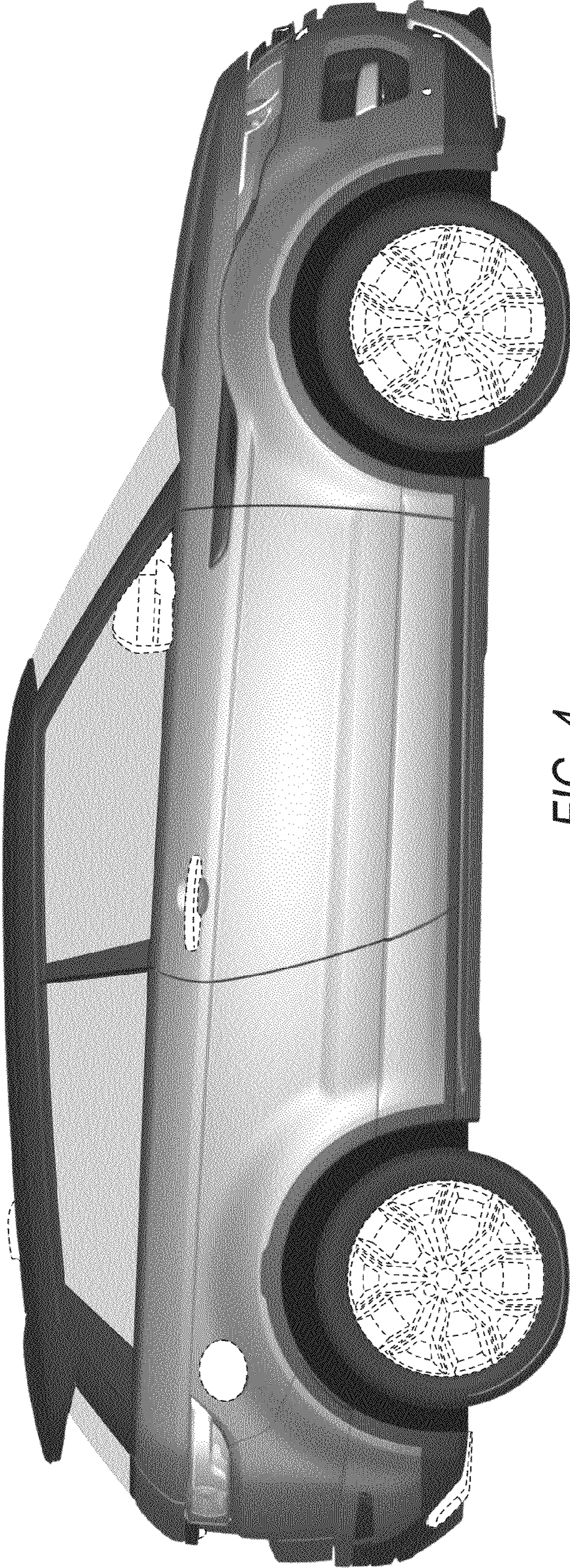


FIG. 4



FIG. 5

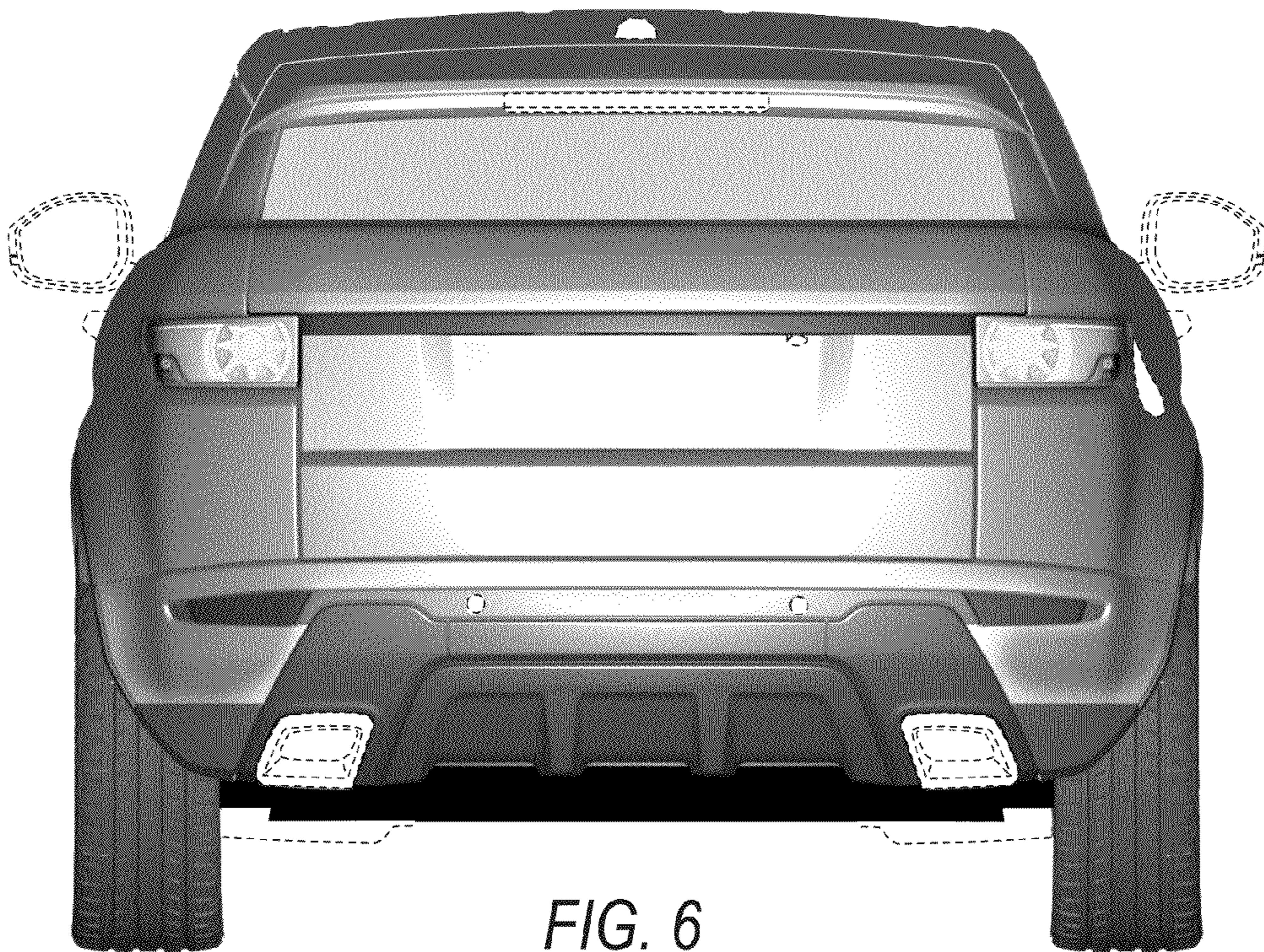


FIG. 6

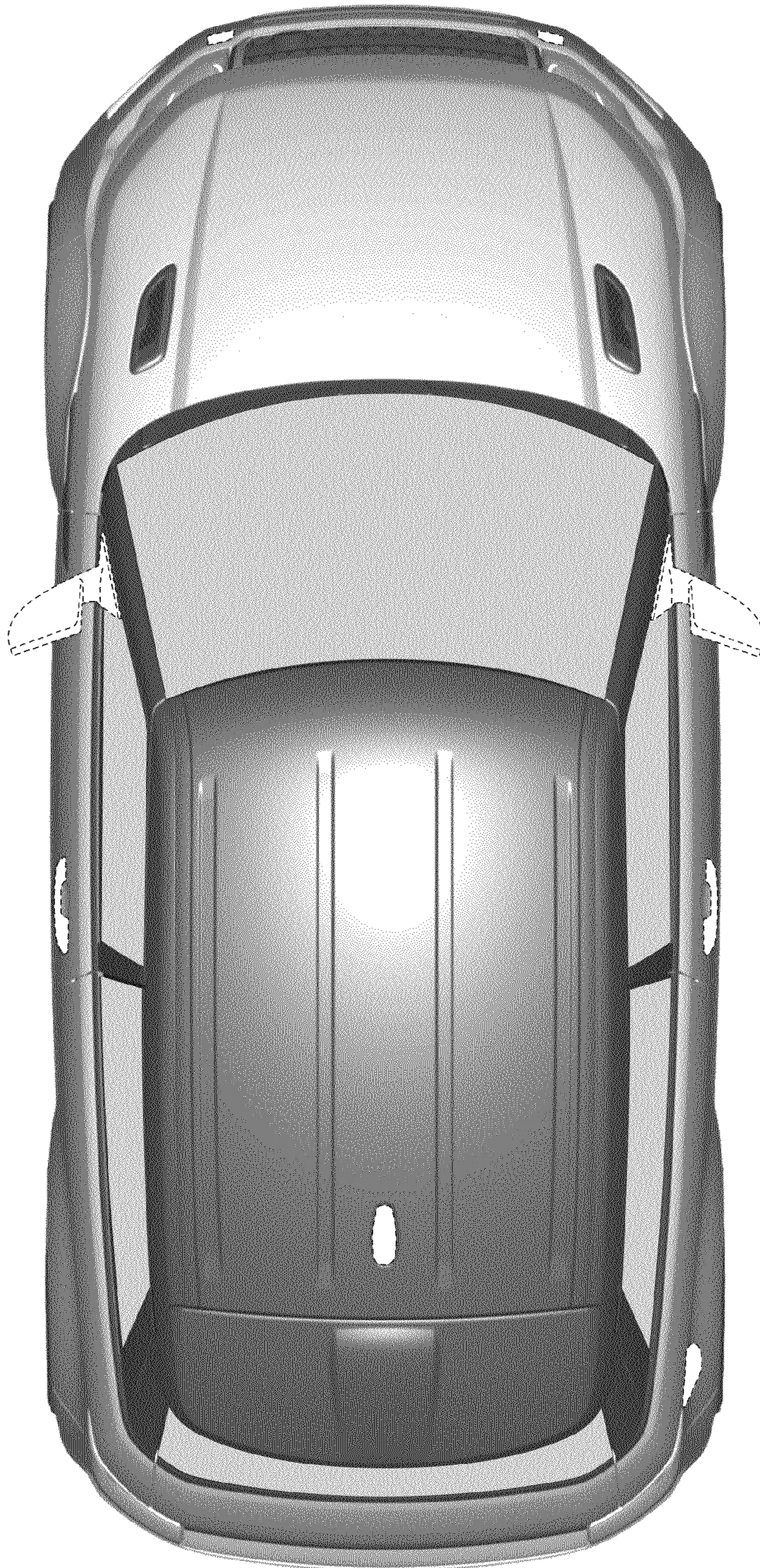


FIG. 7