

US00D746719S

(12) **United States Design Patent**  
**Weems**

(10) **Patent No.:** **US D746,719 S**  
(45) **Date of Patent:** **\*\* Jan. 5, 2016**

(54) **LAYERED EARRING STUD**

(71) Applicant: **Origami Owl, LLC**, Chandler, AZ (US)

(72) Inventor: **Christian H. Weems**, Gilbert, AZ (US)

(73) Assignee: **Origami Owl, LLC**, Chandler, AZ (US)

(\*\*) Term: **14 Years**

(21) Appl. No.: **29/483,769**

(22) Filed: **Mar. 3, 2014**

(51) **LOC (10) Cl.** ..... **11-01**

(52) **U.S. Cl.**  
USPC ..... **D11/40**

(58) **Field of Classification Search**  
USPC ..... D11/1-50, 53, 56, 63, 65-69, 70, 74,  
D11/77-92, 121, 125, 128, 200, 206, 207;  
63/1.11, 1.12, 1.13, 1.14, 1.15, 1.16,  
63/1.17, 1.18, 3, 3.1, 3.2, 12, 13, 14.1,  
63/14.2, 14.3, 14.4, 14.5, 14.6, 14.7, 14.8,  
63/18, 20, 21, 22, 23, 26, 27, 29.1, 30-33  
CPC ..... A44C 25/001; A44C 25/00; A44C 15/00;  
A44C 15/003; A44C 15/002; A44C 27/003;  
A44C 3/00; A44C 5/003; A44C 5/2042;  
A44C 7/00; A44C 7/002; A44C 7/003

See application file for complete search history.

(56) **References Cited**

U.S. PATENT DOCUMENTS

D322,417 S *	12/1991	Mesica .....	D11/36
D339,763 S *	9/1993	Nalbandian .....	D11/1
D375,703 S *	11/1996	Lowe .....	D11/88
D383,998 S *	9/1997	Condron .....	D11/40
D442,514 S *	5/2001	Chan .....	D11/91
D488,088 S *	4/2004	Vartanian .....	D11/91
D516,453 S *	3/2006	Kayamori .....	D11/40
D533,479 S *	12/2006	Dubnicka .....	D11/91
D556,623 S *	12/2007	Torgeman .....	D11/90
D650,304 S *	12/2011	Tanory, Jr. ....	D11/40
D726,577 S *	4/2015	Weems .....	D11/40

\* cited by examiner

*Primary Examiner* — Cynthia Ramirez  
*Assistant Examiner* — Llorellys Martinez-Rivera  
(74) *Attorney, Agent, or Firm* — Fennemore Craig, P.C.

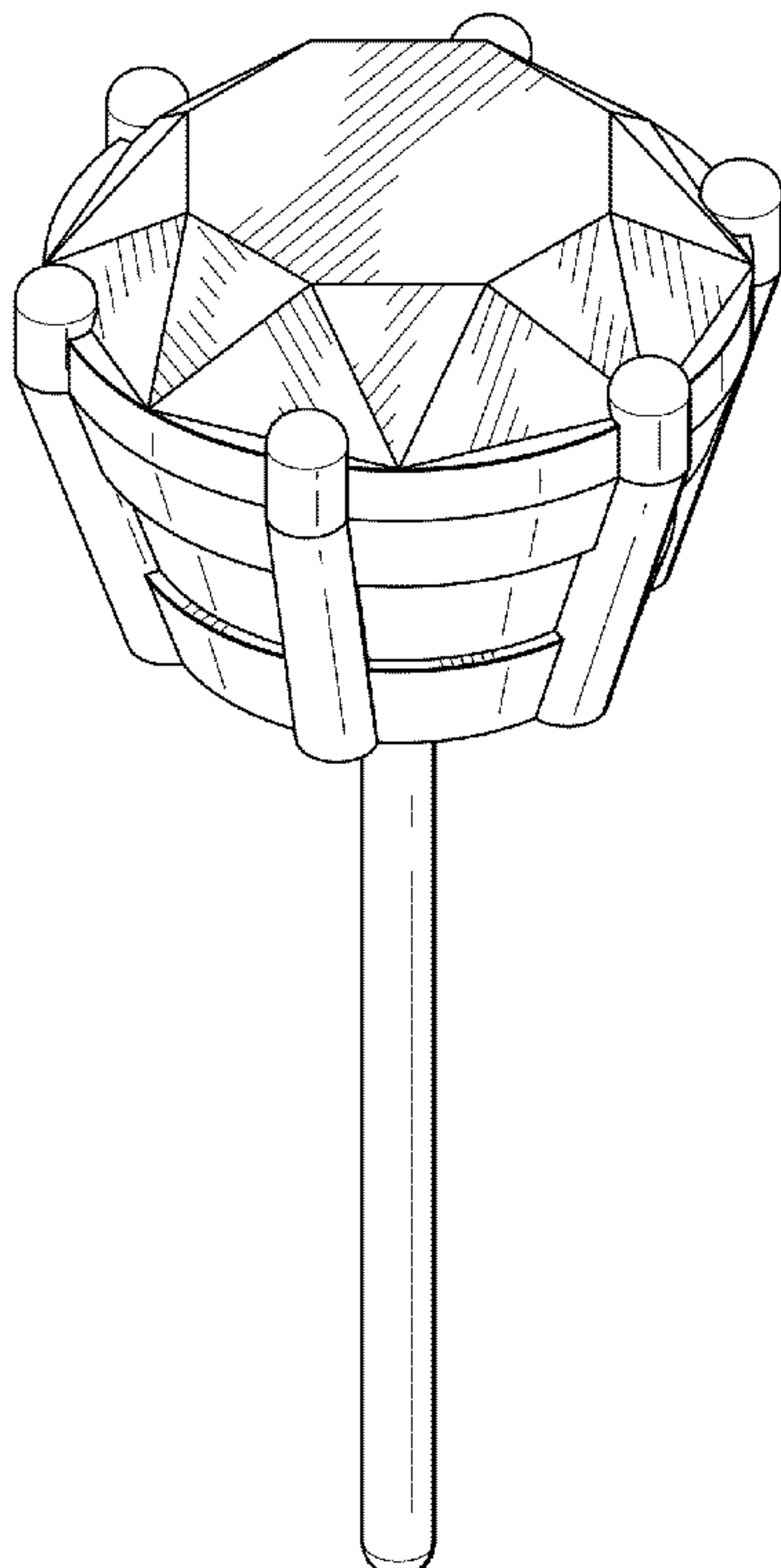
(57) **CLAIM**

The ornamental design for an layered earring stud, as shown and described.

**DESCRIPTION**

FIG. 1 is a perspective view of a layered earring stud showing my new design;  
FIG. 2 is a front elevation view thereof;  
FIG. 3 is a rear elevation view thereof;  
FIG. 4 is a right side elevation view thereof;  
FIG. 5 is a left side elevation view thereof;  
FIG. 6 is a top plan view thereof; and,  
FIG. 7 is a bottom plan view thereof.

**1 Claim, 6 Drawing Sheets**



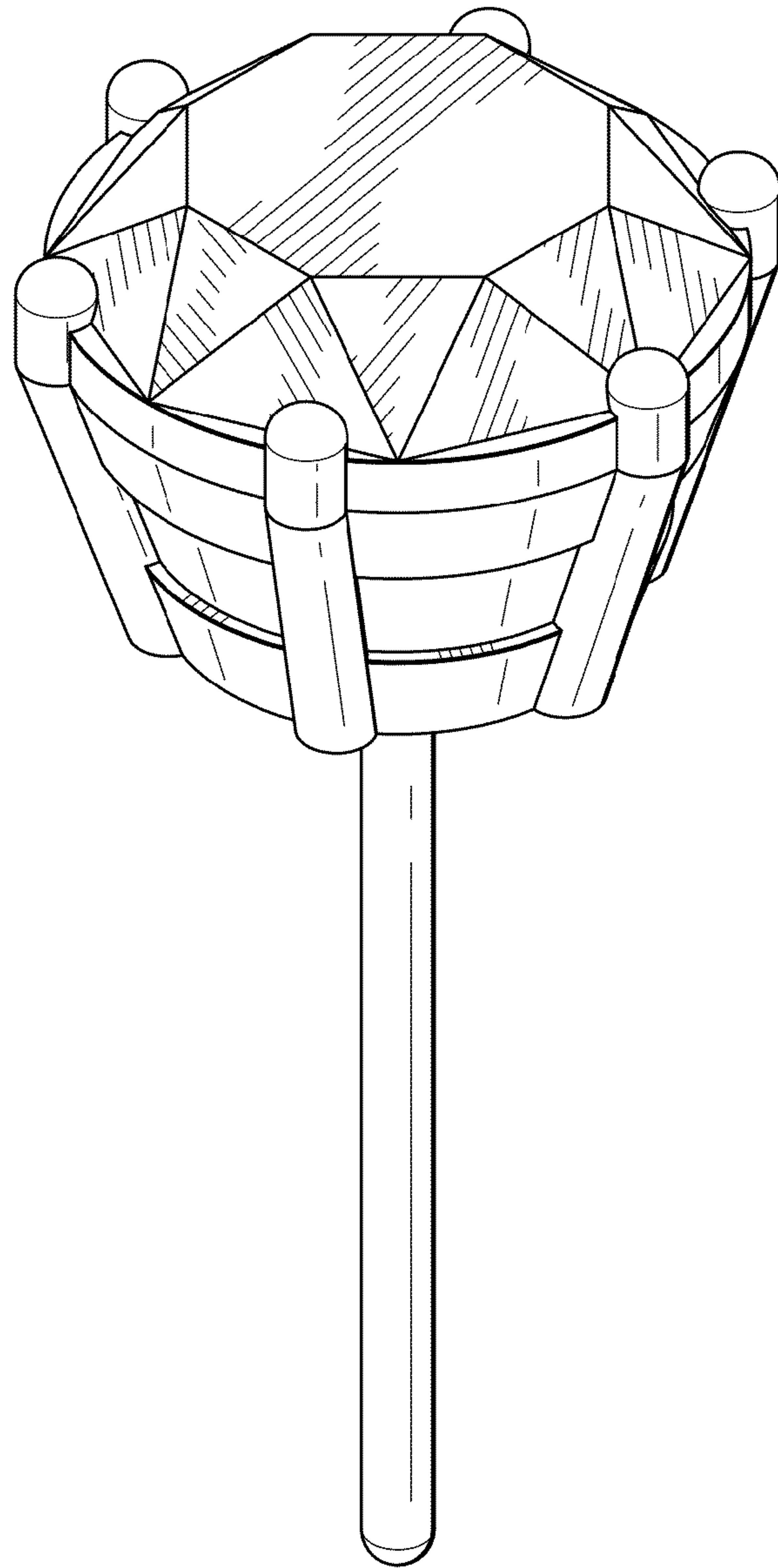


FIG. 1

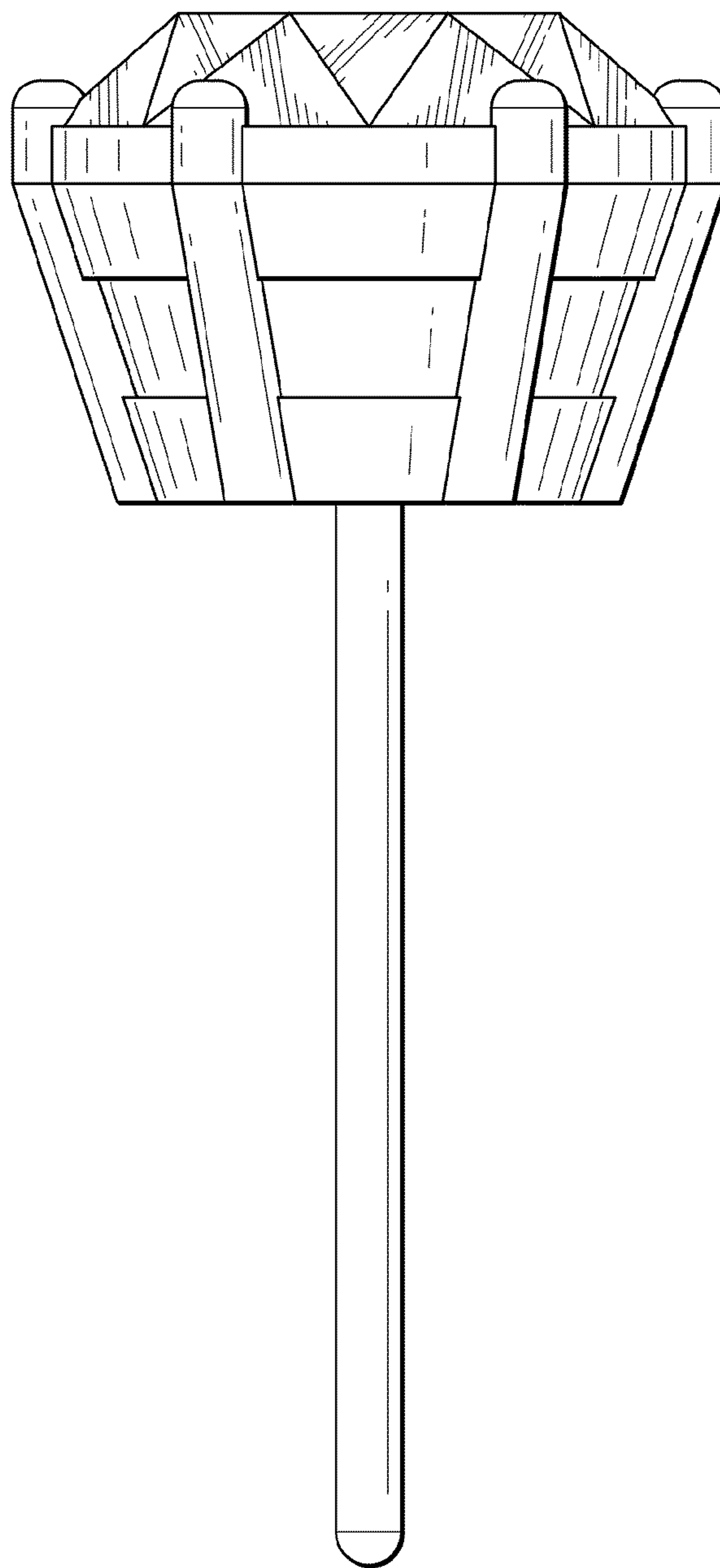


FIG. 2

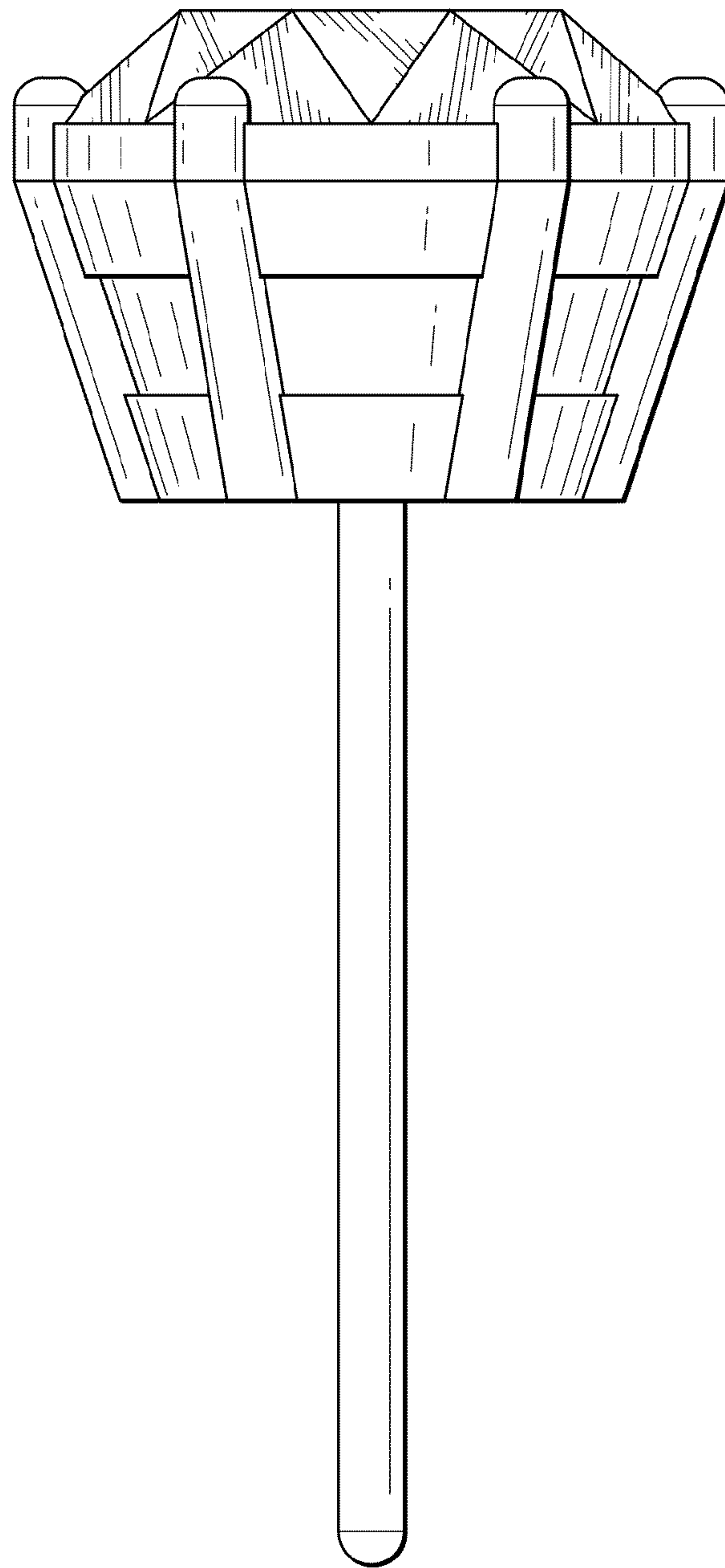


FIG. 3

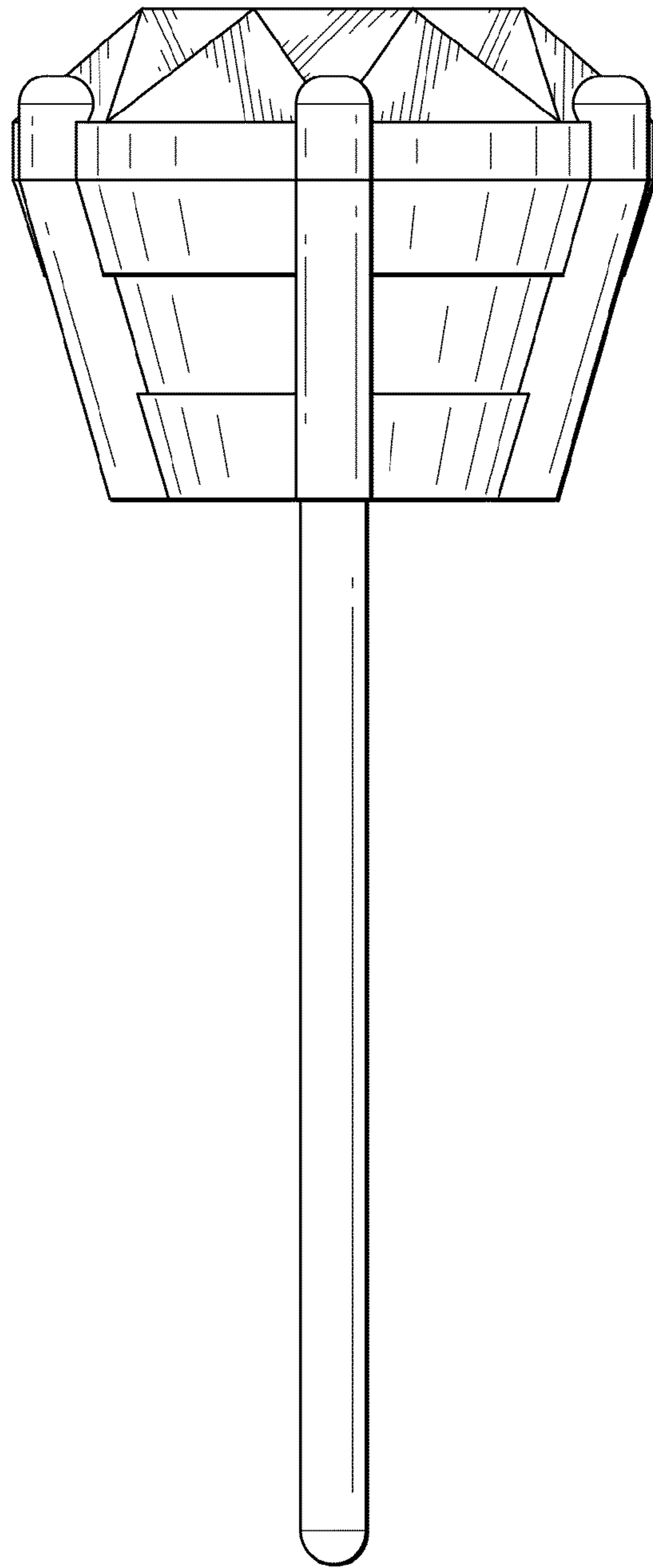


FIG. 4

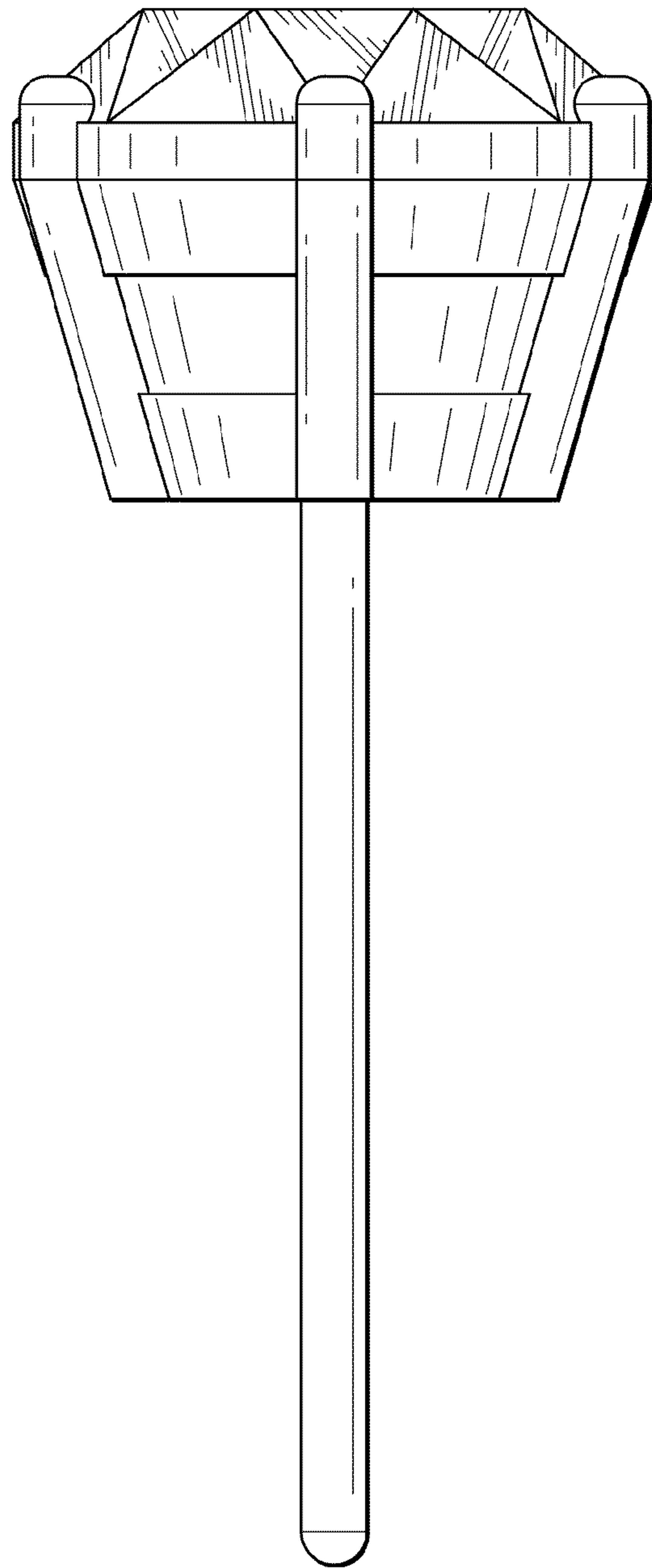


FIG. 5



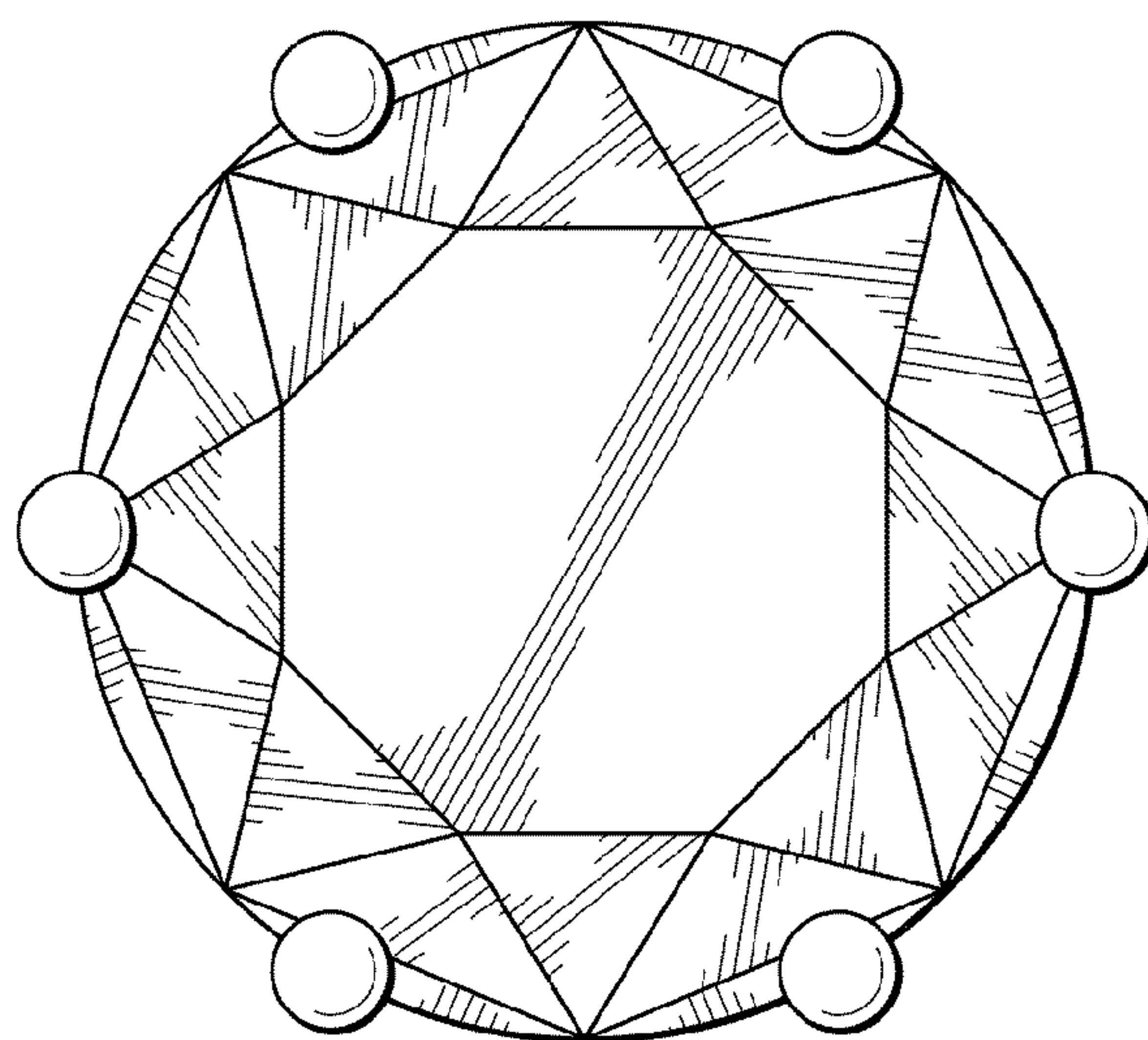


FIG. 6

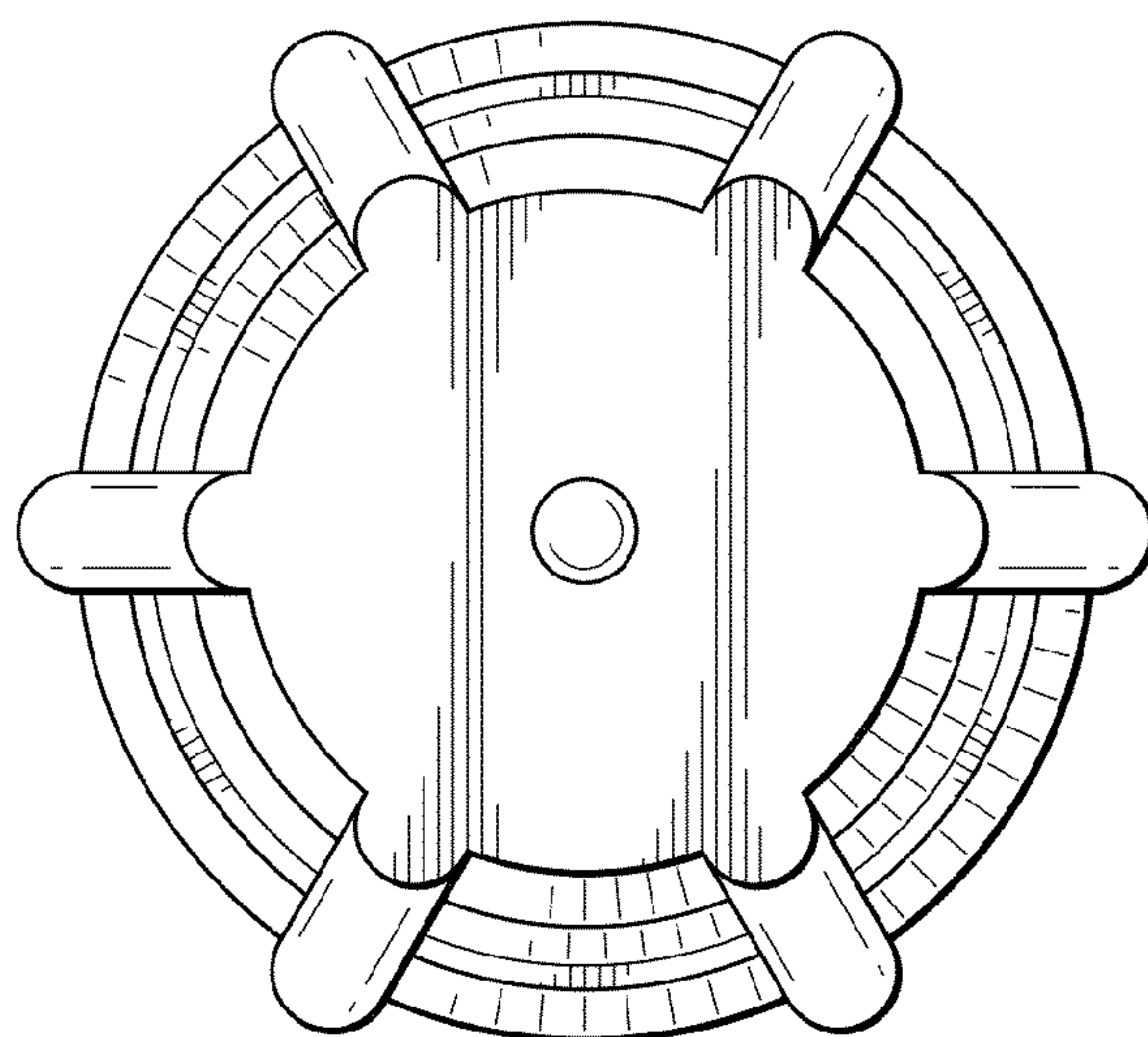


FIG. 7