



US00D746718S

(12) **United States Design Patent**
Akana et al.

(10) **Patent No.:** **US D746,718 S**
(45) **Date of Patent:** **** Jan. 5, 2016**

(54) **BAND**

(71) Applicant: **Apple Inc.**, Cupertino, CA (US)

(72) Inventors: **Jody Akana**, San Francisco, CA (US);
Bartley K. Andre, Palo Alto, CA (US);
Shota Aoyagi, San Francisco, CA (US);
Anthony Michael Ashcroft, San Francisco, CA (US);
Jeremy Bataillou, San Francisco, CA (US);
Daniel J. Coster, San Francisco, CA (US);
Daniele De Iuliis, San Francisco, CA (US);
M. Evans Hankey, San Francisco, CA (US);
Julian Hoenig, San Francisco, CA (US);
Richard P. Howarth, San Francisco, CA (US);
Jonathan P. Ive, San Francisco, CA (US);
Duncan Robert Kerr, San Francisco, CA (US);
Marc A. Newson, London (GB);
Matthew Dean Rohrbach, San Francisco, CA (US);
Peter Russell-Clarke, San Francisco, CA (US);
Benjamin Andrew Shaffer, San Jose, CA (US);
Mikael Silvanto, San Francisco, CA (US);
Christopher J. Stringer, Woodside, CA (US);
Eugene Antony Whang, San Francisco, CA (US);
Rico Zörkendörfer, San Francisco, CA (US)

(73) Assignee: **Apple Inc.**, Cupertino, CA (US)

(**) Term: **15 Years**

(21) Appl. No.: **29/528,819**

(22) Filed: **Jun. 1, 2015**

Related U.S. Application Data

(63) Continuation of application No. 29/498,996, filed on Aug. 11, 2014, now Pat. No. Des. 731,346.

(51) **LOC (10) Cl.** **11-01**

(52) **U.S. Cl.**
USPC **D11/3**

(58) **Field of Classification Search**
USPC D11/1-25, 86, 93, 94; D10/30-39, 70,
D10/46; 24/456, 574.1, 587.11, 587.12,
24/578.15; 600/301; 224/164, 175;
368/276, 281, 282, 285

CPC G04B 37/1486; G04B 37/16; G04B 37/18;
A44C 5/14; A44C 5/0053; A44C 5/0069;
A44C 5/0076; A44C 5/00; A44C 5/0007;
A44C 5/0015; A44C 5/0023; A44C 5/003;
A44C 5/0061; A44C 5/12; A44C 5/147;
A44C 5/18; A44C 5/185

See application file for complete search history.

(56) **References Cited**

U.S. PATENT DOCUMENTS

1,738,407 A 12/1929 Tost
1,764,440 A 6/1930 Gammell et al.

(Continued)

FOREIGN PATENT DOCUMENTS

CN 2613171 Y 4/2004
DE 10311560 A1 9/2004

(Continued)

OTHER PUBLICATIONS

[Online] <http://tock.cdn.assets.watchaware.com/wp-content/uploads/2015/03/aluminum-and-leather.jpg>. Retrieved Aug. 14, 2015.*

(Continued)

Primary Examiner — Cathron Brooks

Assistant Examiner — Melanie Pellegrini

(74) *Attorney, Agent, or Firm* — Sterne, Kessler, Goldstein & Fox P.L.L.C.

(57) **CLAIM**

The ornamental design for a band, as shown and described.

DESCRIPTION

FIG. 1 is a bottom front perspective view of a band showing our new design;

FIG. 2 is a bottom rear perspective view thereof;

FIG. 3 is a front view thereof;

FIG. 4 is a rear view thereof;

FIG. 5 is a right side view thereof;

FIG. 6 is a left side view thereof;

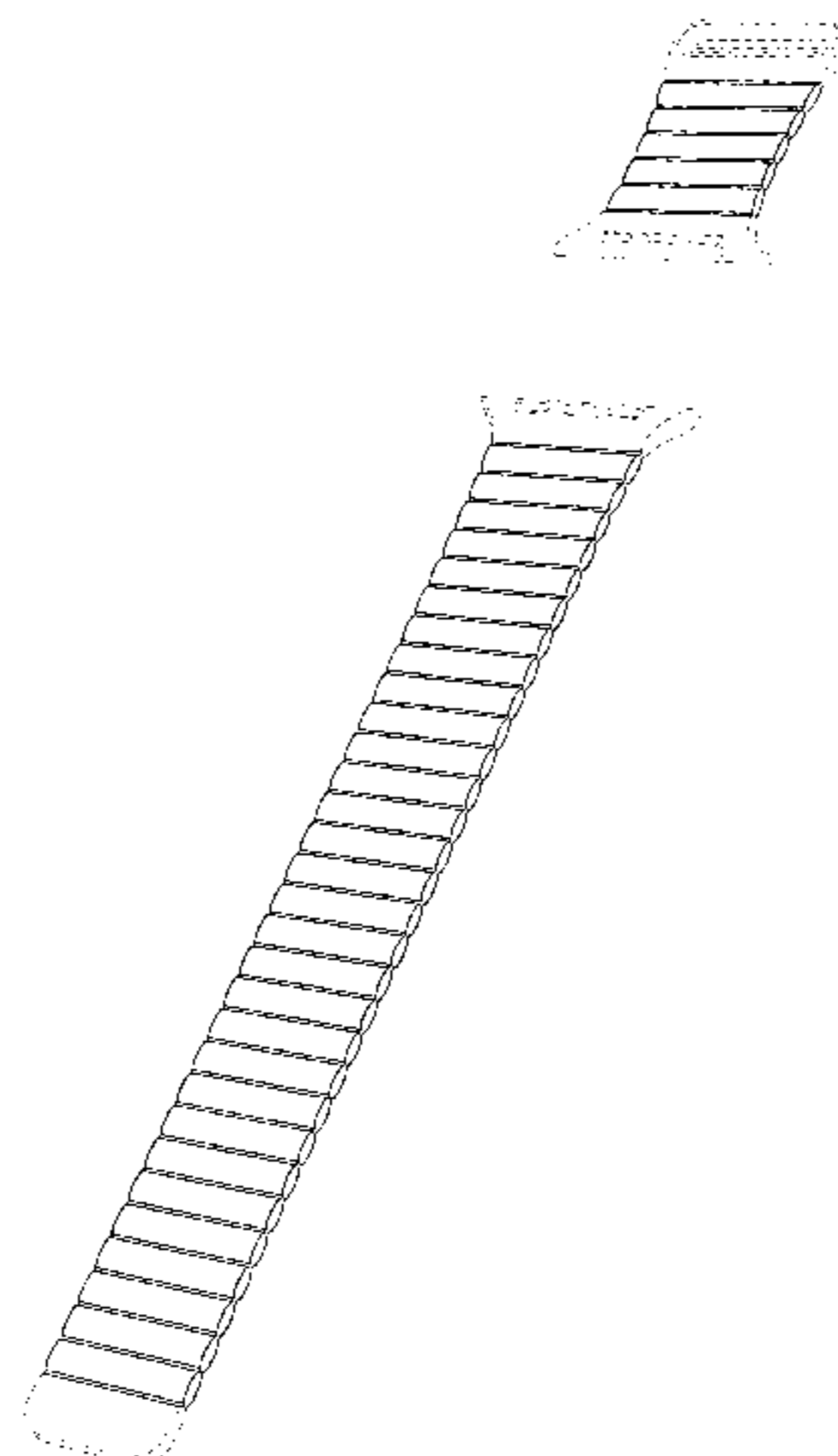
FIG. 7 is a top view thereof;

FIG. 8 is a bottom view thereof; and,

FIG. 9 is a perspective view thereof showing the band in an environment in which it may be used.

The broken lines in the Figures show portions of the band and environment that form no part of the claimed design.

1 Claim, 6 Drawing Sheets



(56)

References Cited

FOREIGN PATENT DOCUMENTS

U.S. PATENT DOCUMENTS

1,786,943 A 12/1930 Gammell
 D152,491 S 1/1949 Osier
 3,030,686 A 4/1962 Burkhardt
 3,372,500 A 3/1968 Claude
 3,550,824 A * 12/1970 Bohanski 224/197
 3,665,565 A 5/1972 Kruger
 3,675,284 A 7/1972 Rieth
 3,740,804 A * 6/1973 Levinger 24/265 WS
 3,803,834 A 4/1974 Reese
 D248,547 S * 7/1978 Fernando D10/32
 D249,244 S 9/1978 Salter
 D250,634 S 12/1978 Porsche
 D256,568 S 8/1980 Young
 4,266,400 A 5/1981 Tabata
 D260,977 S * 9/1981 Rimmmler D11/4
 D269,254 S 6/1983 Kishimoto
 D276,415 S * 11/1984 Ecoffey D10/32
 D287,705 S 1/1987 Malamoud
 D289,381 S * 4/1987 Schneider D10/32
 D297,417 S * 8/1988 Asano et al. D10/32
 D299,718 S 2/1989 Steer et al.
 D305,422 S 1/1990 Steer et al.
 D308,852 S * 6/1990 Wakamatsu D11/5
 D310,334 S * 9/1990 Jahan D10/32
 D331,020 S 11/1992 Ishii et al.
 D333,626 S 3/1993 Chang
 D349,864 S 8/1994 Dunlap et al.
 5,363,351 A 11/1994 Carney
 D355,375 S 2/1995 Bandy, II
 D365,286 S 12/1995 Florian
 D381,585 S * 7/1997 Gogniat D10/32
 D408,301 S 4/1999 Porsche et al.
 D455,093 S 4/2002 Fitzgerald
 D473,818 S 4/2003 Salvisberg
 D488,392 S 4/2004 Tschumi
 D494,098 S 8/2004 Cohen
 6,782,690 B2 8/2004 Kwan
 7,013,631 B2 3/2006 Carrola
 D528,439 S 9/2006 Burton
 D528,928 S 9/2006 Burton
 7,107,790 B2 * 9/2006 Frank 63/21
 D536,265 S 2/2007 Reynoso
 D538,687 S 3/2007 Komulainen
 D549,602 S 8/2007 Oberrieder et al.
 D550,105 S 9/2007 Oberrieder et al.
 D560,520 S 1/2008 Oberrieder et al.
 D569,282 S 5/2008 Daniel
 D573,905 S 7/2008 Poirier
 D575,656 S * 8/2008 Scholpp D11/3
 D581,811 S 12/2008 Messmer et al.
 D583,682 S * 12/2008 Blank D10/32
 D588,472 S 3/2009 Messmer et al.
 D610,476 S 2/2010 Daniel
 D614,512 S * 4/2010 Monachon D10/32
 D631,761 S 2/2011 Barbier
 D645,360 S 9/2011 Kiser et al.
 D670,583 S 11/2012 Shaanan
 D672,667 S 12/2012 Mix
 8,601,784 B2 12/2013 Kaltenrieder
 D704,077 S 5/2014 Monachon
 D724,469 S 3/2015 Akana et al.
 D727,197 S 4/2015 Akana et al.
 D727,198 S 4/2015 Akana et al.
 D727,199 S 4/2015 Akana et al.
 D727,787 S 4/2015 Akana et al.
 D728,409 S * 5/2015 Bar-Am D11/3
 D731,346 S * 6/2015 Akana et al. D11/3
 2005/0210857 A1 9/2005 Carrola
 2014/0096345 A1 4/2014 Tschumi
 2014/0098649 A1 4/2014 Tschumi

EP 2636328 A1 9/2013
 FR 906187-001 2/1991
 GB 618917 A 3/1949
 GB 2047514 A 12/1980
 GB 2082277 5/1984
 GB 2033807 3/1994
 JP D1130391 1/2002
 JP D1194393 1/2004
 JP D1329491 5/2008
 JP D1337213 8/2008
 JP D1348945 1/2009
 JP D1350052 2/2009
 JP D1465158 3/2013
 KR 30-0476859 1/2008
 KR 30-0476860 1/2008
 WO DM/024020-001 11/1992
 WO WO-DM052310 6/2000
 WO DM/060838-003 9/2002
 WO WO-2013182397 A1 12/2013

OTHER PUBLICATIONS

CBWatches.com, “Braun Men’s Prestige Digital Watch BN0106BKBTG With Black Plated Stainless Steel Case And Bracelet,” <<http://cbwatches.com/shop/braun-mens-prestige-digital-watch-bn0106bkbtg-with-black-plated-stainless-steel-case-and-bracelet/>>, accessed Dec. 17, 2014.
 Haedges, “1 Set Silver End Cap Clasp—Findings Large Toggle Clasp End Caps Buckle Connector with Five Inside Loops for Jewelry Making 26mm,” <<http://www.etsy.com/listing/101269004/1-set-silver-end-cap-clasp-findings?ref=market>>, Listed on Aug. 29, 2014, accessed Oct. 9, 2014.
 Metal Watch Band Silver Tone Stainless Steel Simple Narrow Expansion Band with Expandable Ends 8-11MM, <<http://www.esslinger.com/11mm-silver-narrow-expansion-replacement-watch-band-for-women.aspx>>, accessed Dec. 5, 2014.
 [Online] <http://cnet4.cbsistatic.com/hub/i/r/2014/09/09/1d101da2-7abd-40aa-b0c9-94e4f9b27b95/thumbnail/770x433/c2705e97ac76cc74f2c19abc83929de9/apple-event-apple-watch-5446.jpg>. Retrieved on Feb. 17, 2015.
 U.S. Appl. No. 29/498,987, filed Aug. 11, 2014.
 U.S. Appl. No. 29/499,052, filed Aug. 11, 2014.
 U.S. Appl. No. 29/499,061, filed Aug. 11, 2014.
 U.S. Appl. No. 29/499,067, filed Aug. 11, 2014.
 U.S. Appl. No. 29/499,068, filed Aug. 11, 2014.
 U.S. Appl. No. 29/499,069, filed Aug. 11, 2014.
 U.S. Appl. No. 29/499,080, filed Aug. 11, 2014.
 U.S. Appl. No. 29/499,081, filed Aug. 11, 2014.
 U.S. Appl. No. 29/499,082, filed Aug. 11, 2014.
 U.S. Appl. No. 29/499,088, filed Aug. 11, 2014.
 U.S. Appl. No. 29/499,090, filed Aug. 11, 2014.
 U.S. Appl. No. 29/499,091, filed Aug. 11, 2014.
 U.S. Appl. No. 29/501,152, filed Sep. 2, 2014.
 U.S. Appl. No. 29/501,624, filed Sep. 5, 2014.
 U.S. Appl. No. 29/501,720, filed Sep. 8, 2014.
 U.S. Appl. No. 29/501,722, filed Sep. 8, 2014.
 U.S. Appl. No. 29/501,723, filed Sep. 8, 2014.
 U.S. Appl. No. 29/501,733, filed Sep. 8, 2014.
 U.S. Appl. No. 29/501,737, filed Sep. 8, 2014.
 U.S. Appl. No. 29/501,746, filed Sep. 8, 2014.
 U.S. Appl. No. 29/501,759, filed Sep. 8, 2014.
 U.S. Appl. No. 29/501,760, filed Sep. 8, 2014.
 U.S. Appl. No. 29/501,766, filed Sep. 8, 2014.
 U.S. Appl. No. 29/501,772, filed Sep. 8, 2014.
 JPO’s Document No. HA23009178, Real Design No. 3, vol. 7, p. 11, Jan. 16, 2012, EI Publishing Co., Ltd. (Japan).
 JPO’s Document No. HB26003714, Global Sources Gifts & Premiums No. 6, vol. 8, p. 17 Aug. 7, 2014, Trade Media Holdings Ltd. (Hong Kong).

* cited by examiner

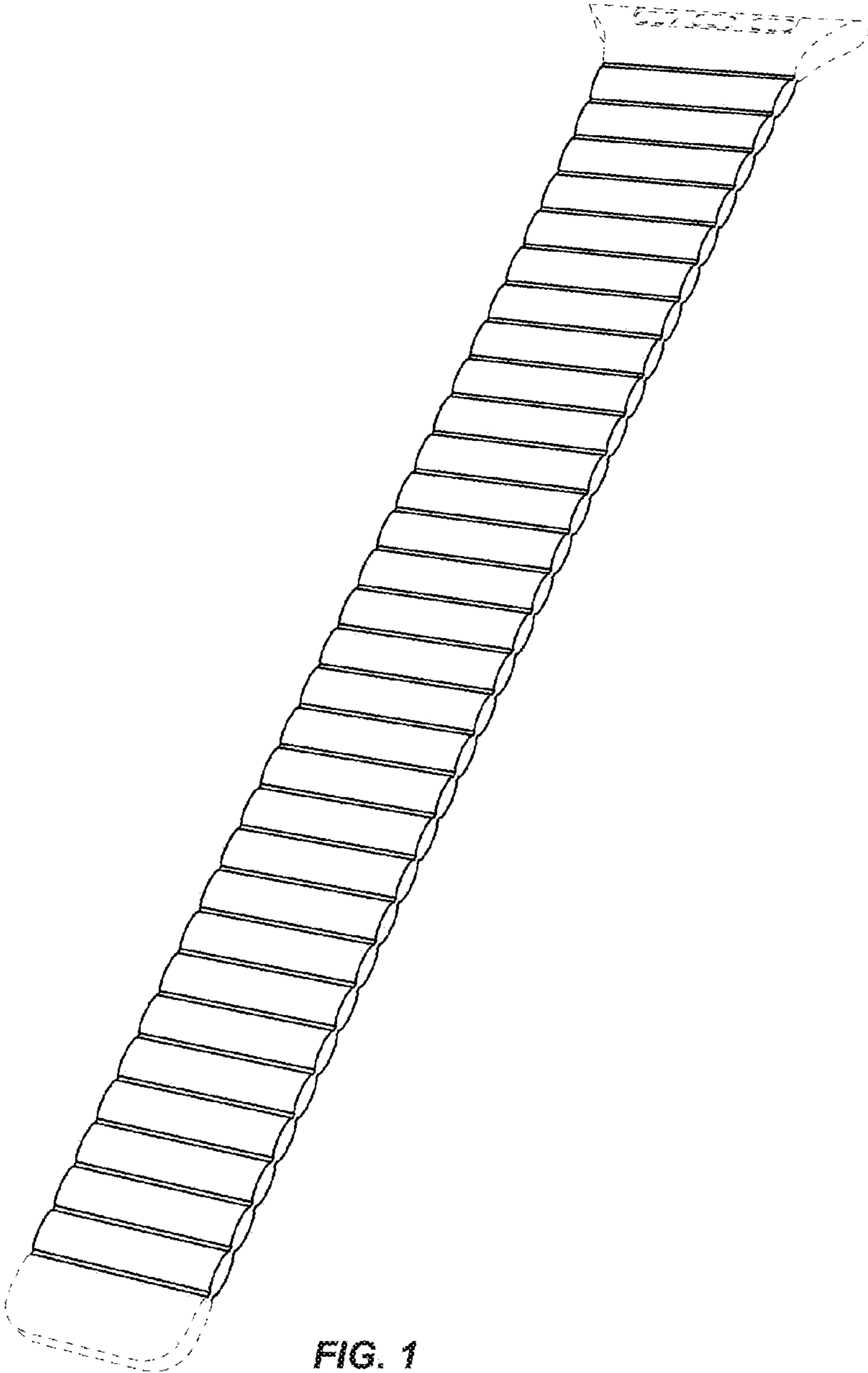
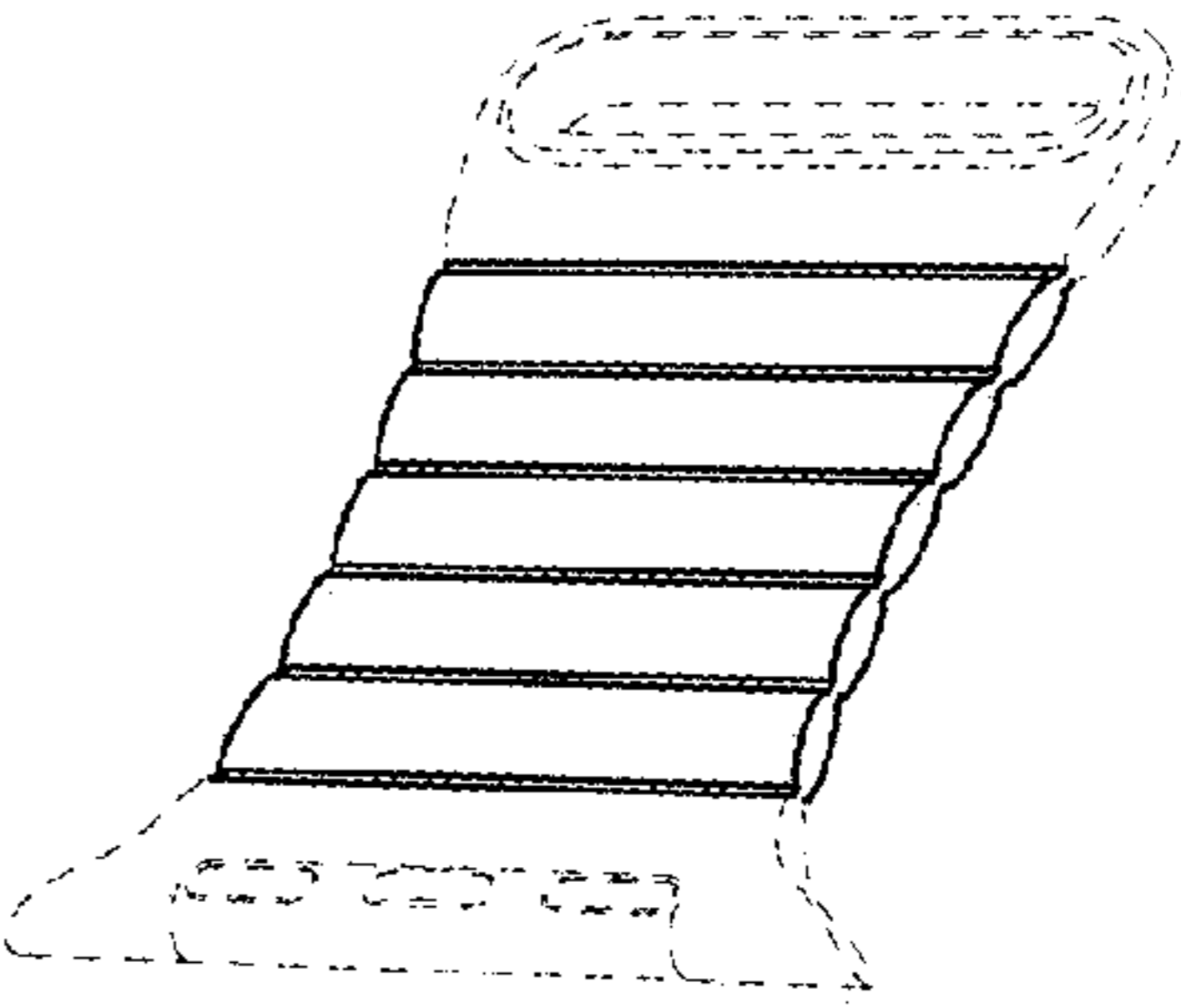


FIG. 1

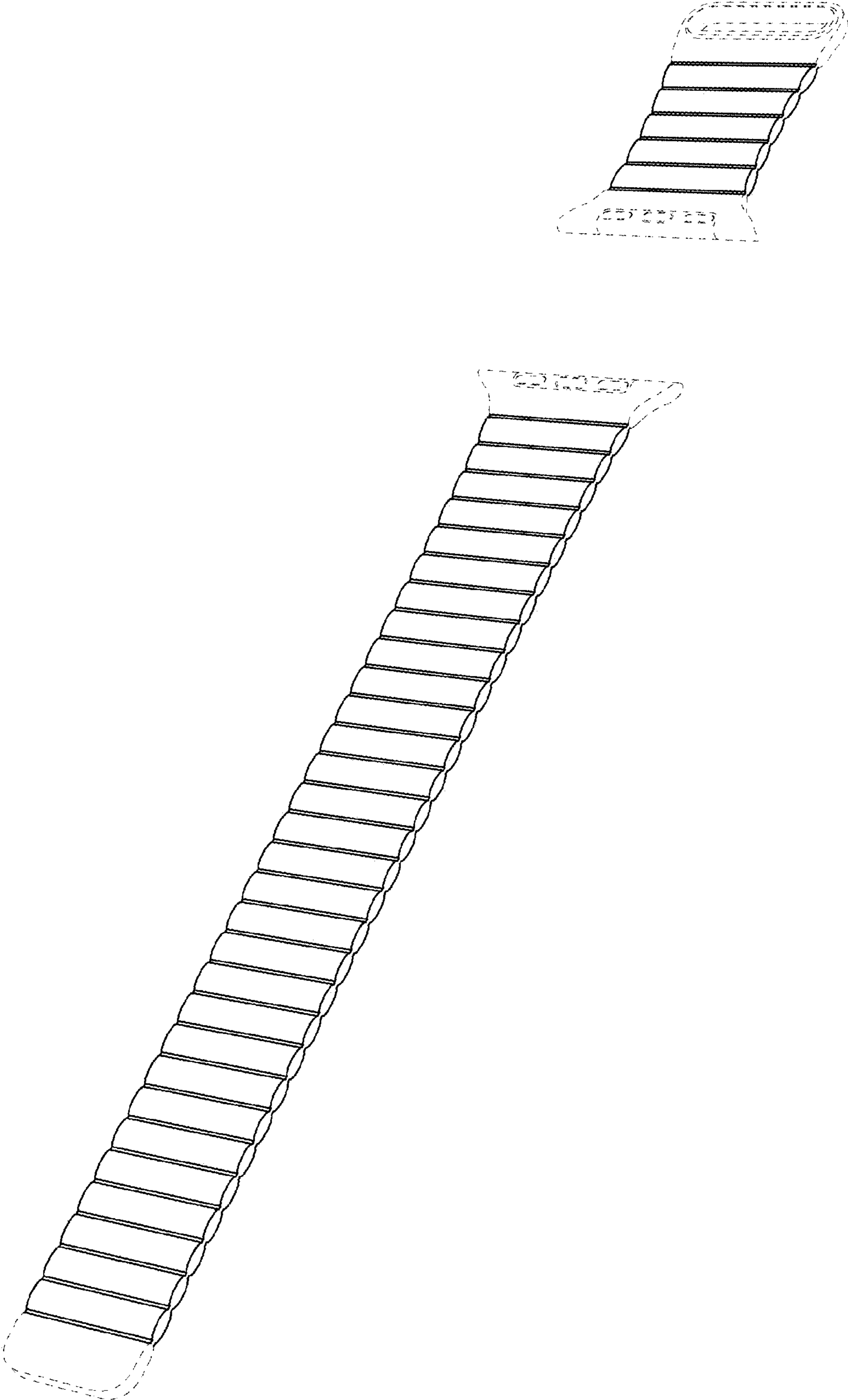


FIG. 2

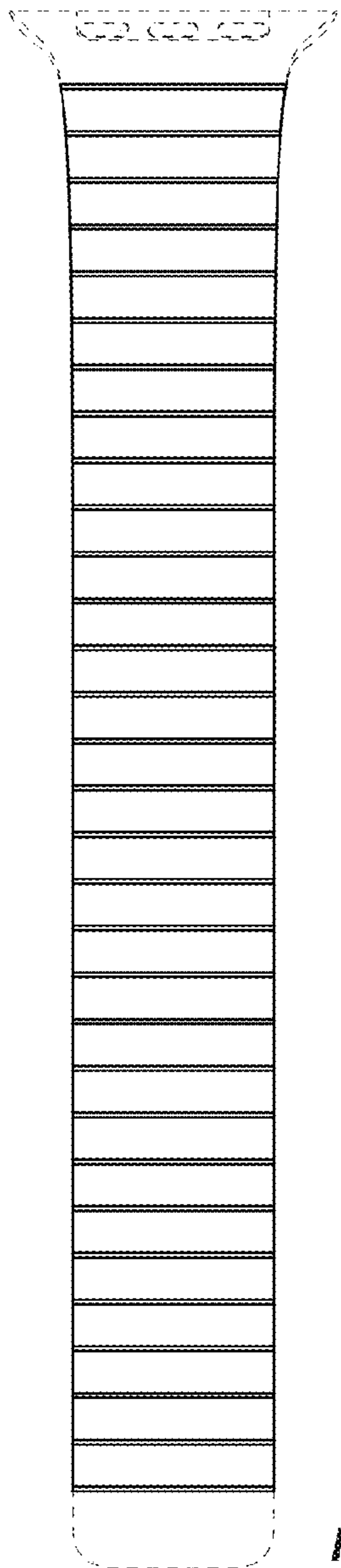
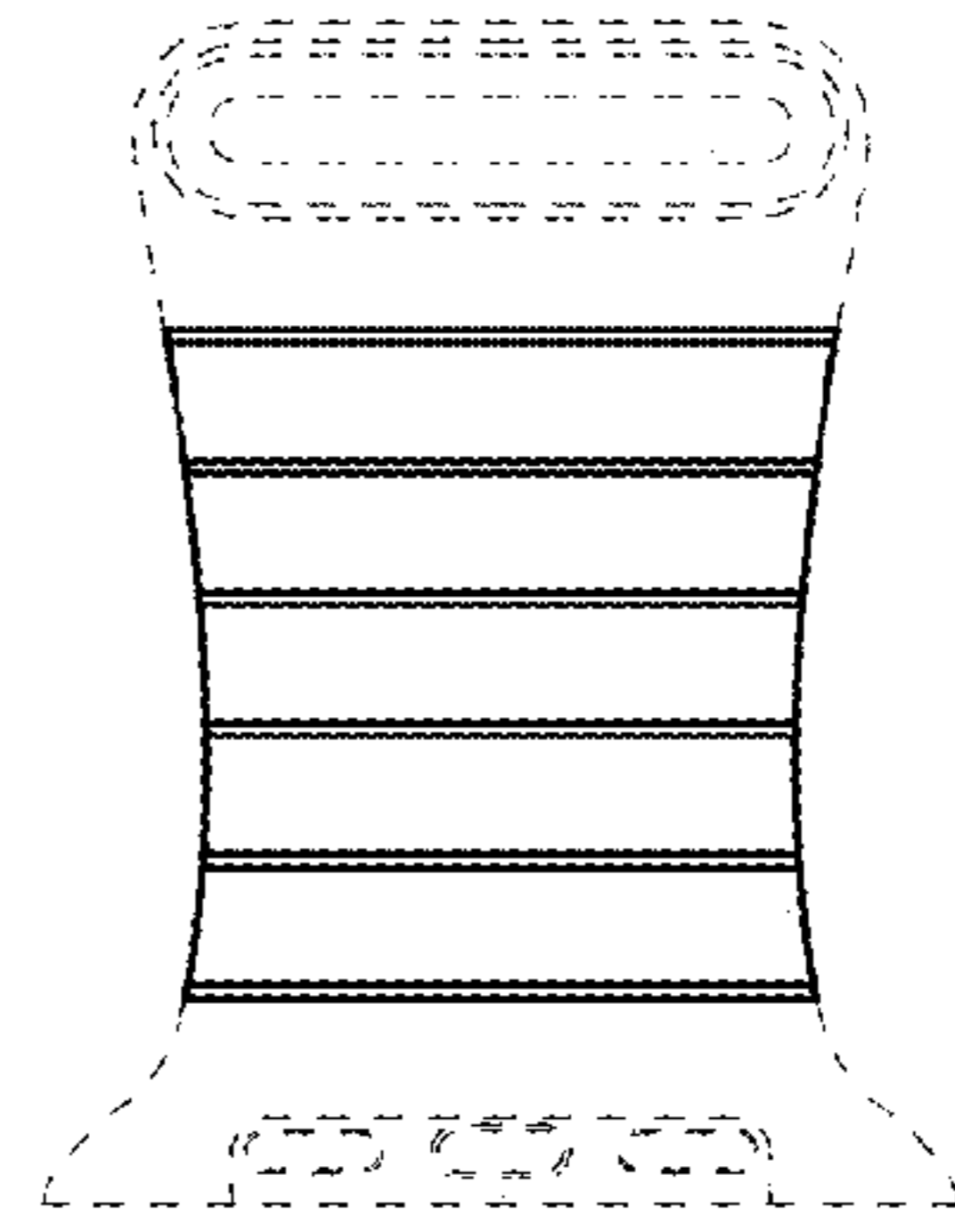
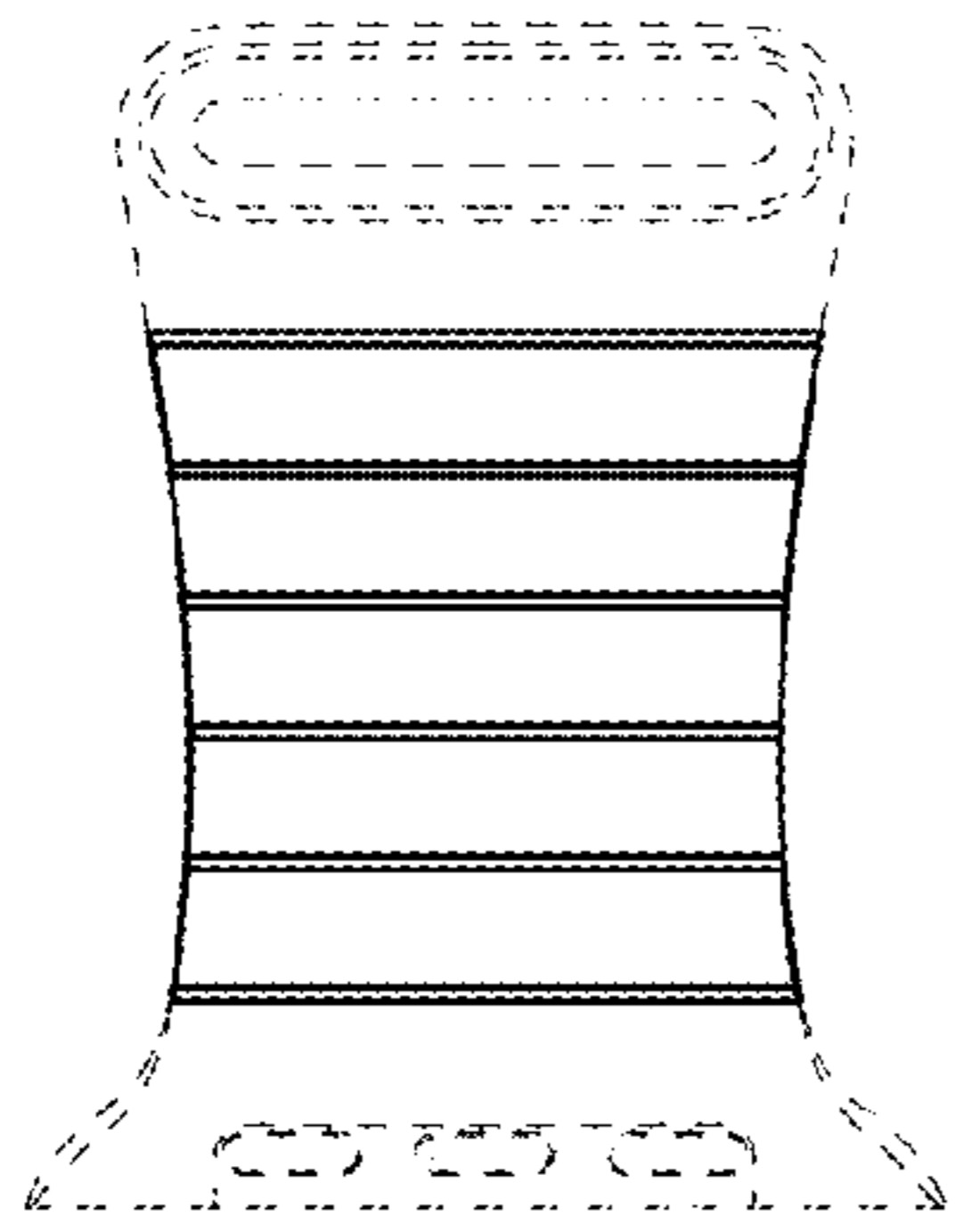


FIG. 3

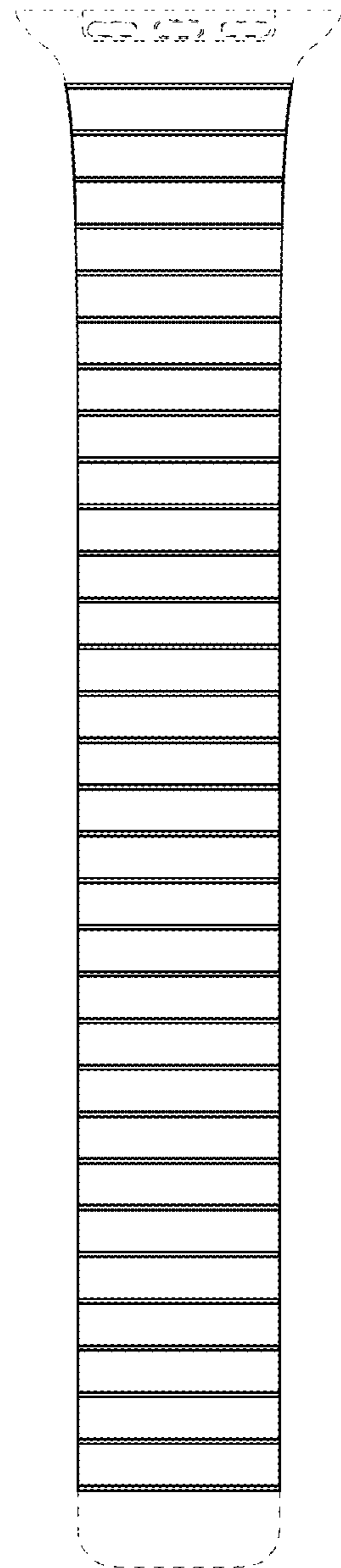


FIG. 4



FIG. 5

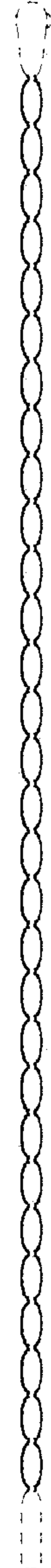


FIG. 6

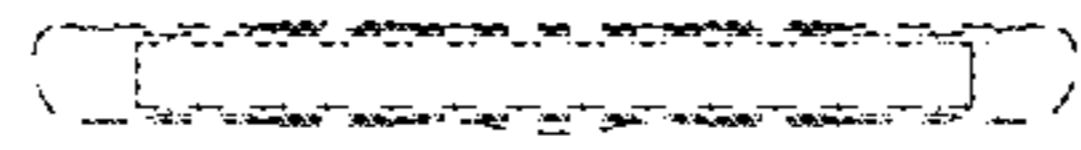


FIG. 7

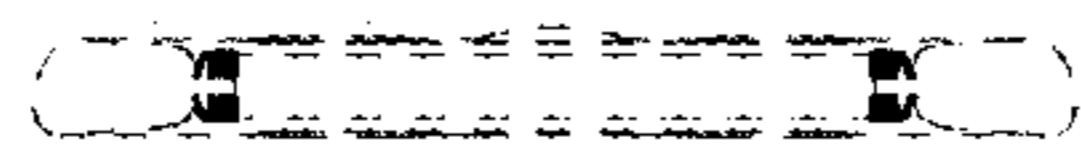


FIG. 8

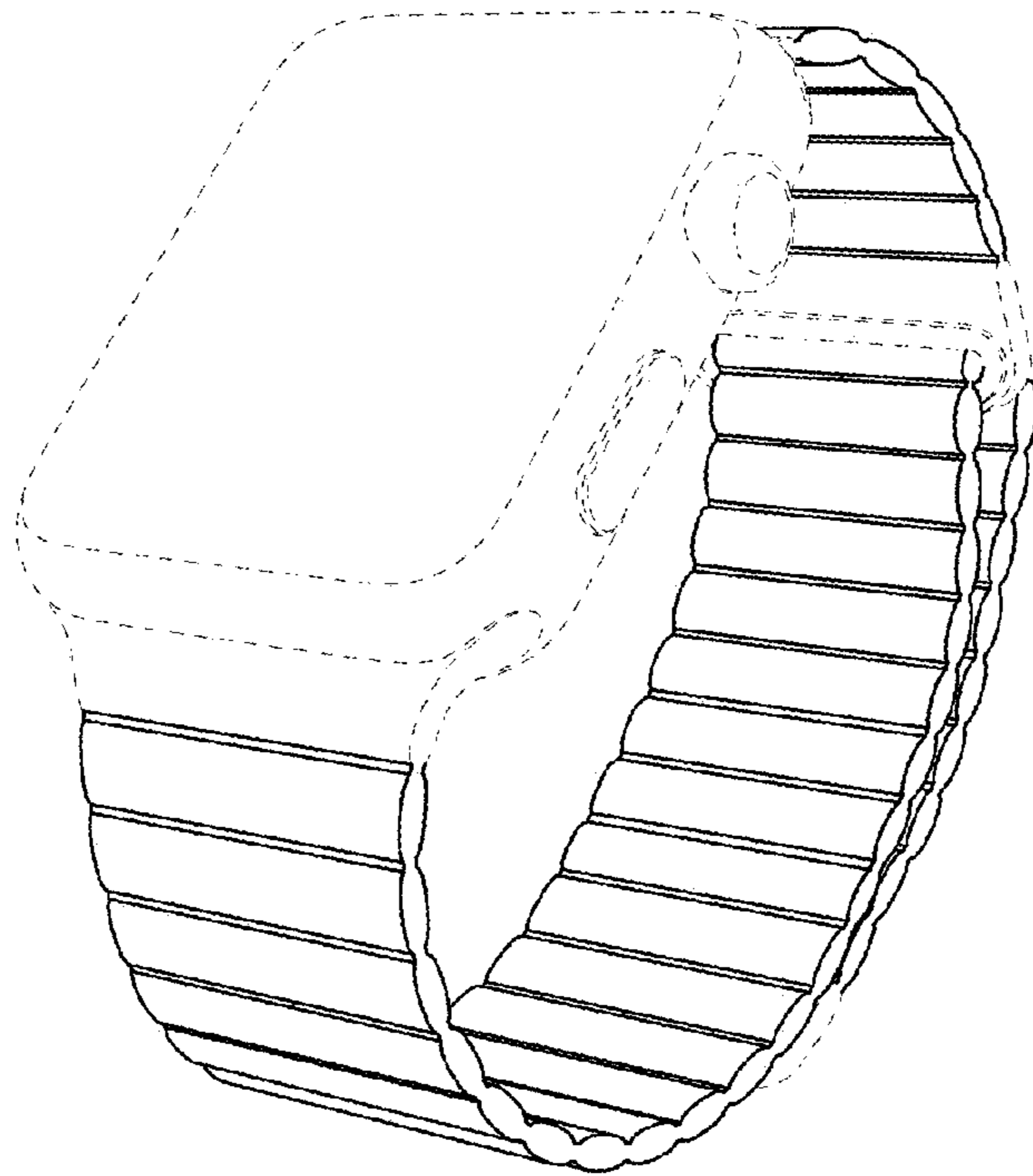


FIG. 9