



US00D746709S

(12) **United States Design Patent**
Heath et al.

(10) **Patent No.:** **US D746,709 S**
(45) **Date of Patent:** **** Jan. 5, 2016**

(54) **MOBILE ALARM BUTTON**

(71) Applicant: **KONINKLIJKE PHILIPS N.V.**,
Eindhoven (NL)

(72) Inventors: **Stephen Robert Heath**, Andover, MA
(US); **Jae Park**, Medford, MA (US)

(73) Assignee: **KONINKLIJKE PHILIPS N.V.**,
Eindhoven (NL)

(**) Term: **14 Years**

(21) Appl. No.: **29/459,608**

(22) Filed: **Jul. 2, 2013**

(30) **Foreign Application Priority Data**

Jan. 7, 2013 (EM) 002162610-0003

(51) **LOC (10) Cl.** **10-05**

(52) **U.S. Cl.**
USPC **D10/104.2**

(58) **Field of Classification Search**
USPC D10/65, 104.1, 104.2, 70; D14/167
CPC G08B 21/0202
See application file for complete search history.

(56) **References Cited**

U.S. PATENT DOCUMENTS

D465,469 S * 11/2002 Heath D10/104.1
D559,138 S * 1/2008 Cothron D10/104.1

D596,514 S * 7/2009 Luzar D10/65
D666,112 S * 8/2012 Chang D10/70
D679,618 S * 4/2013 Dumas D10/104.2
D683,251 S * 5/2013 Dumas D10/104.2
2006/0006998 A1* 1/2006 Carlson A61B 5/0205
340/539.12

* cited by examiner

Primary Examiner — George D Kirschbaum

(74) *Attorney, Agent, or Firm* — Michael W. Haas

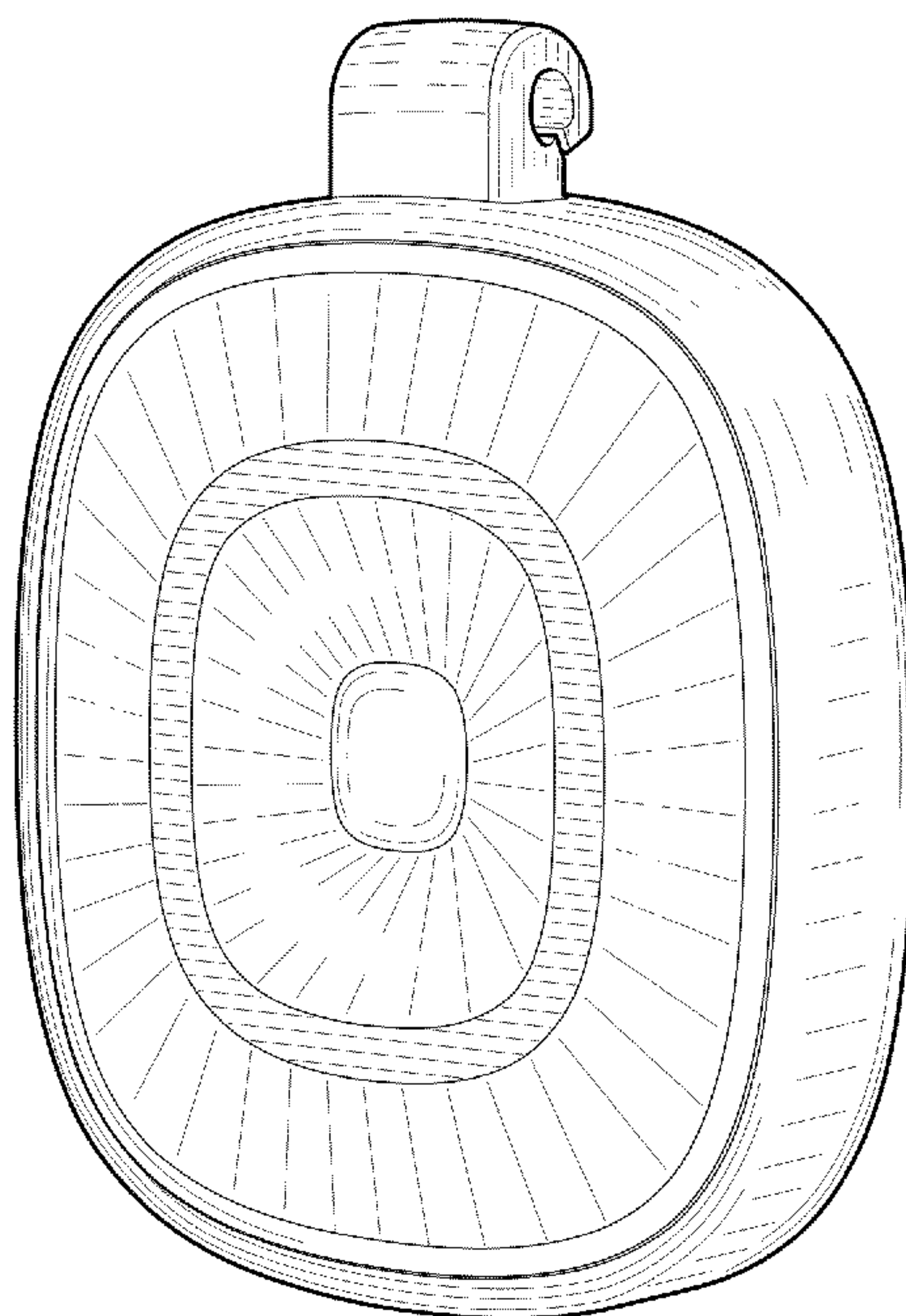
(57) **CLAIM**

The ornamental design for a mobile alarm button, as shown.

DESCRIPTION

FIG. 1 is a perspective view showing my design;
FIG. 2 is a front elevational view thereof;
FIG. 3 is a rear elevational view thereof;
FIG. 4 is a right side elevational view thereof;
FIG. 5 is a left side elevational view thereof;
FIG. 6 is a top plan view thereof; and,
FIG. 7 is a bottom plan view thereof.

1 Claim, 5 Drawing Sheets



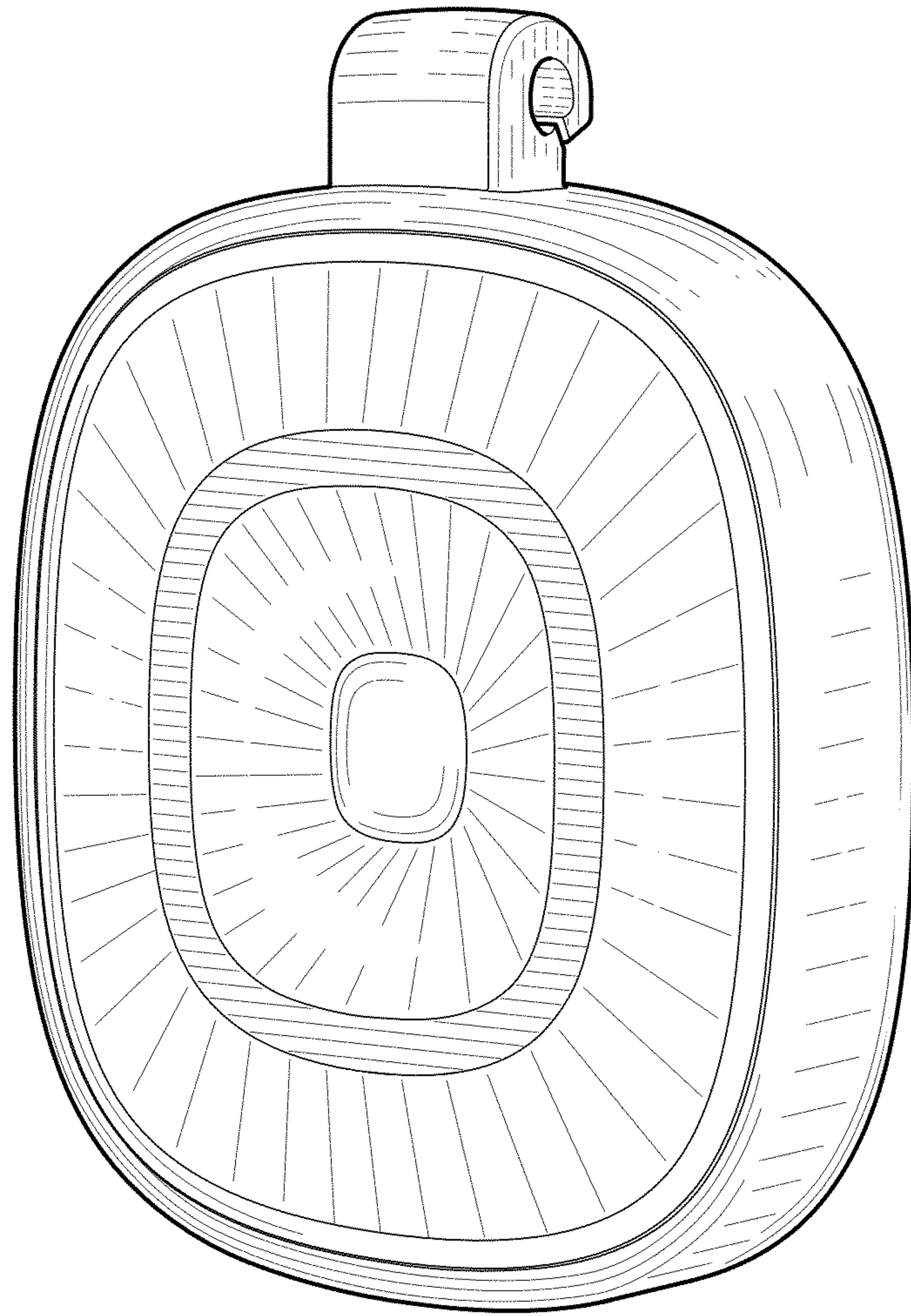


FIG. 1

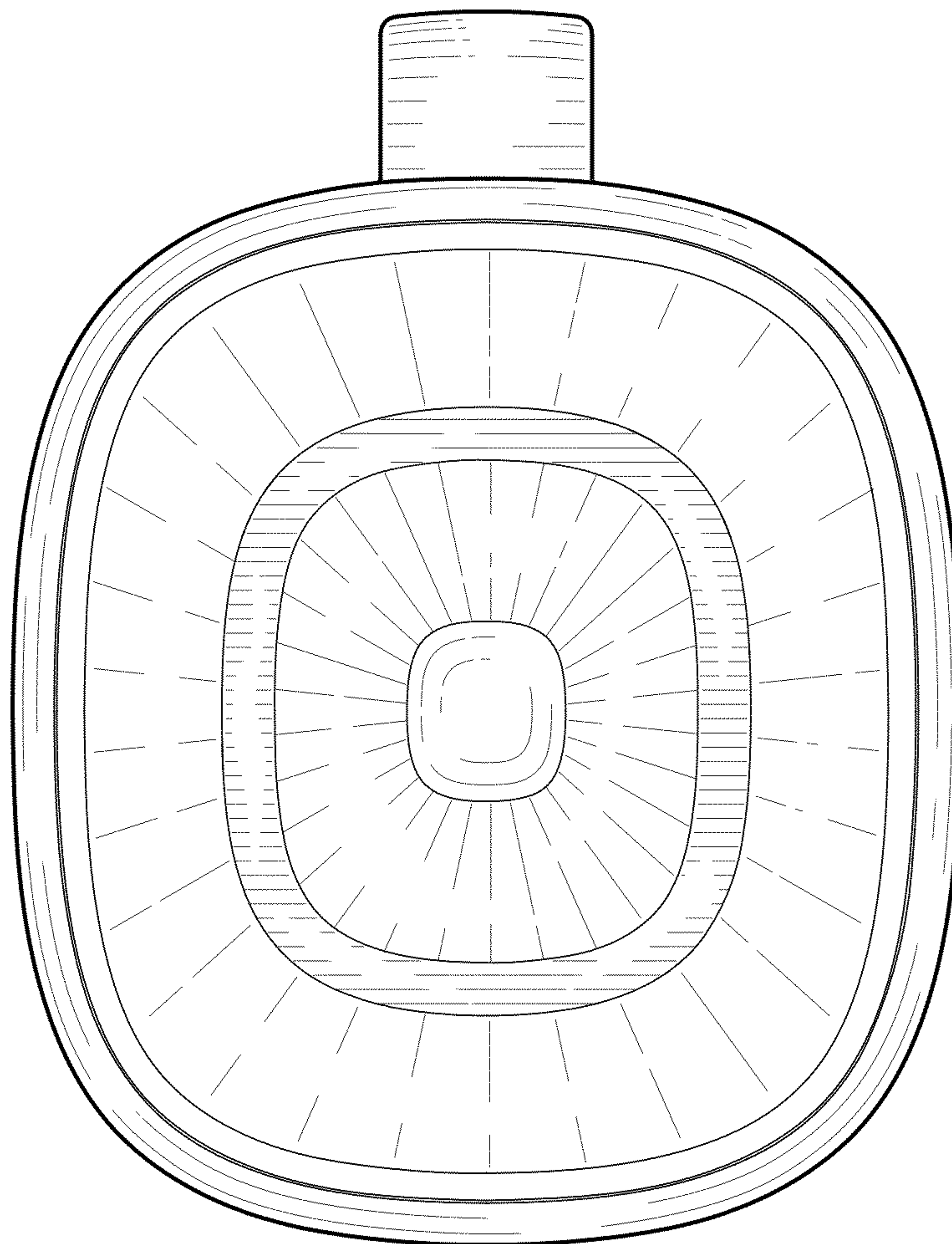


FIG. 2

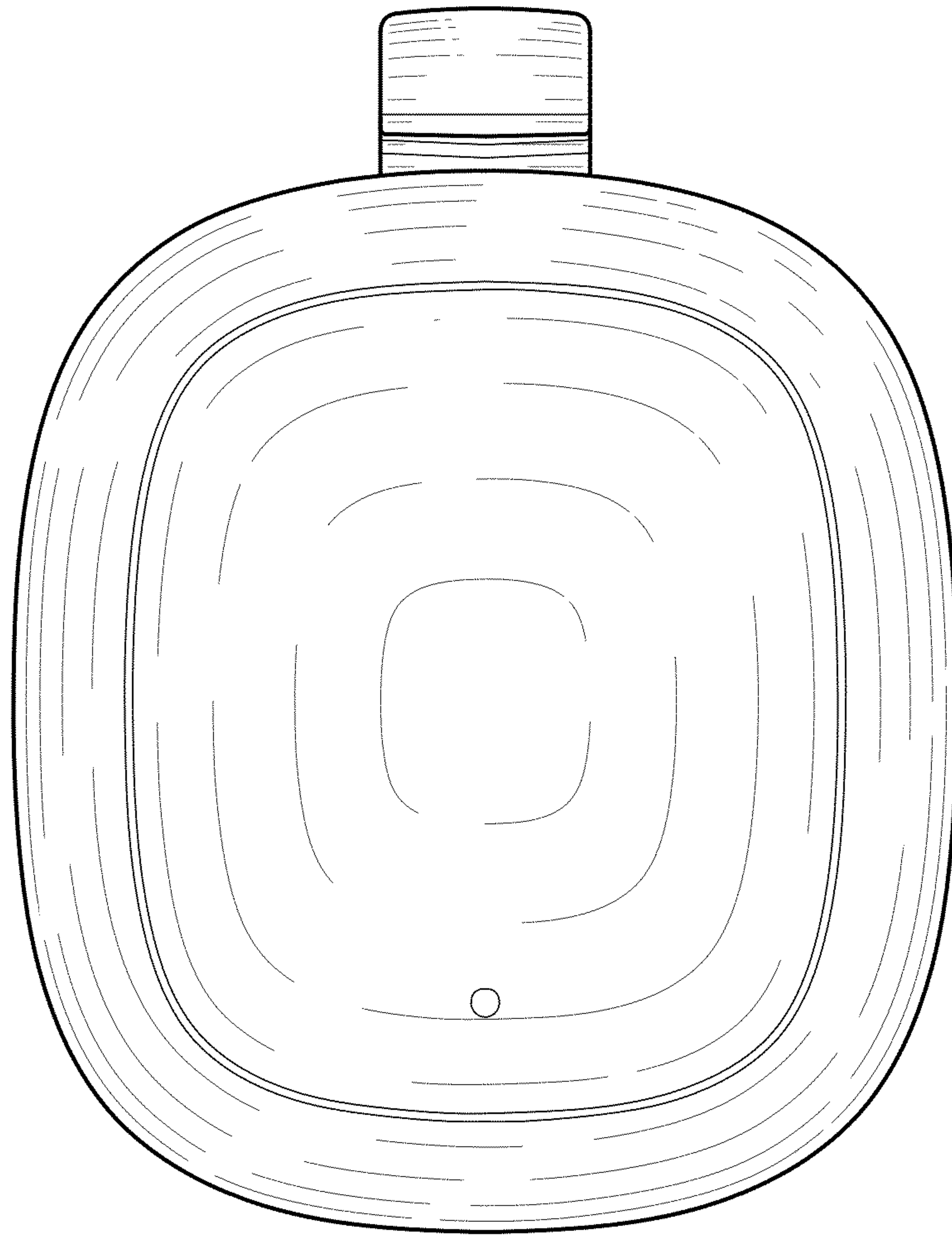


FIG. 3

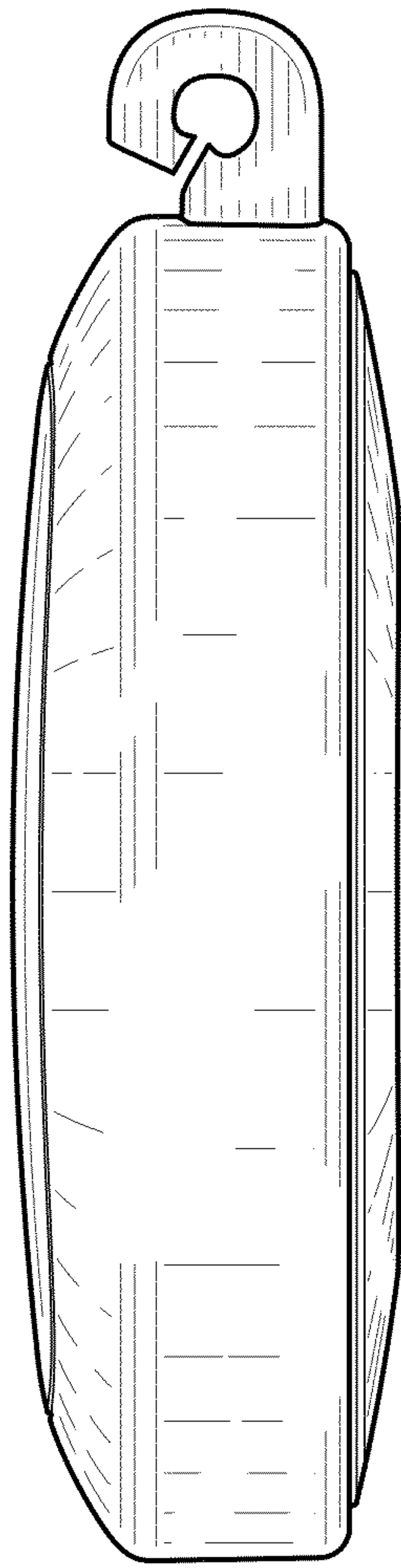


FIG. 4

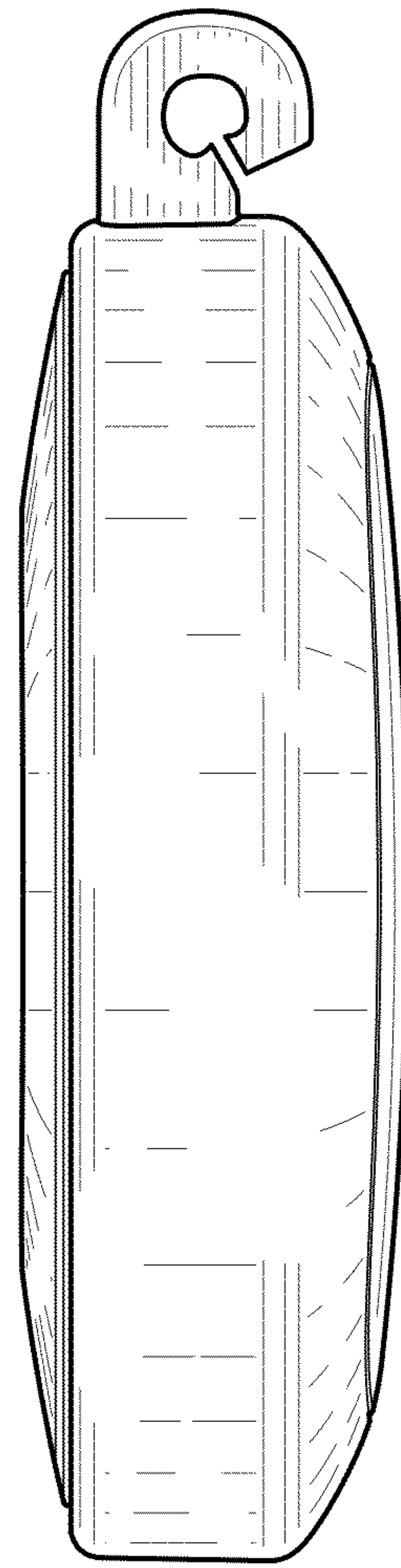


FIG. 5

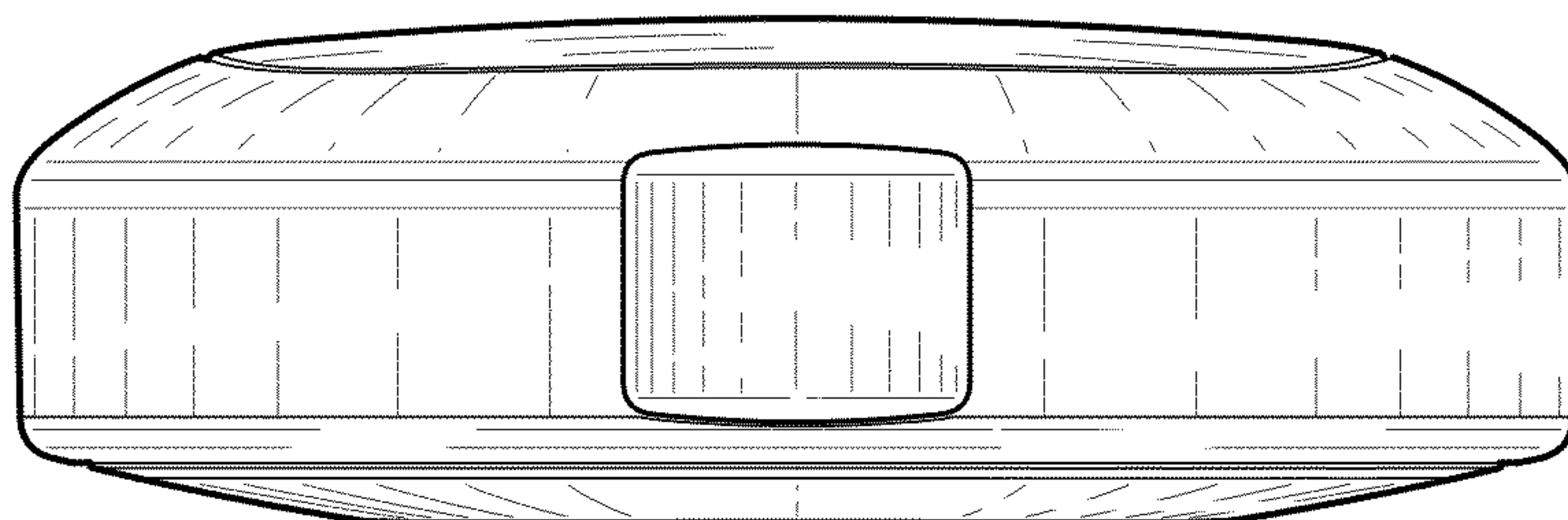


FIG. 6

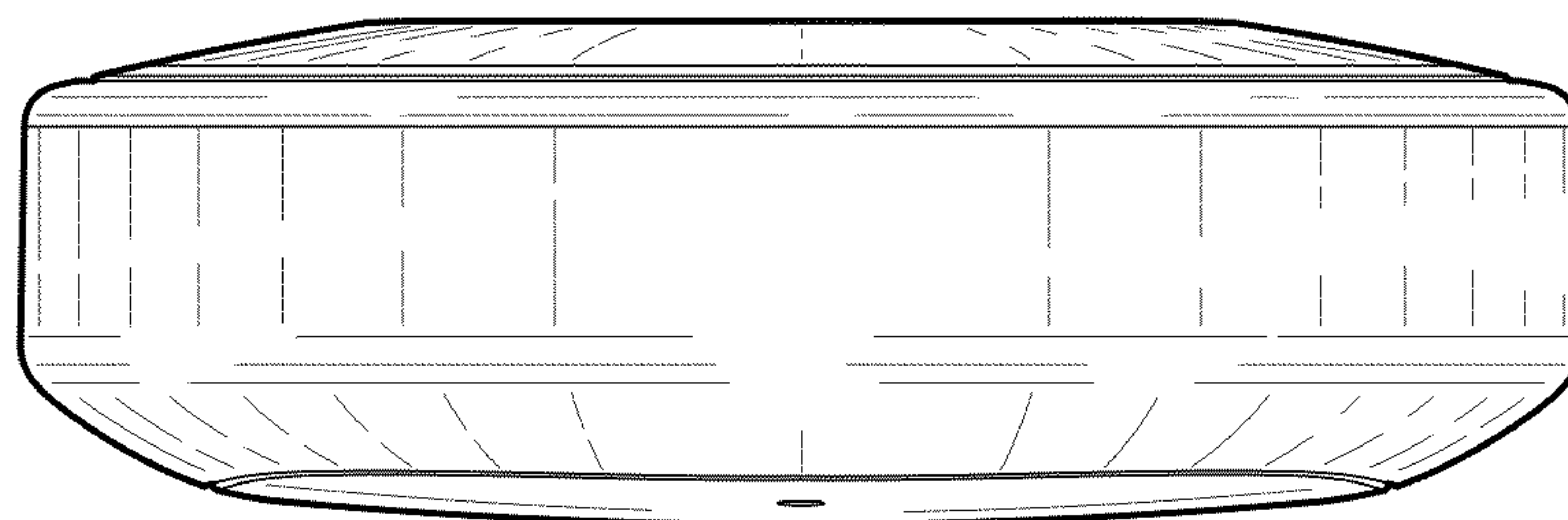


FIG. 7