



US00D746708S

(12) **United States Design Patent**  
**Yang et al.**

(10) **Patent No.:** **US D746,708 S**  
(45) **Date of Patent:** **\*\* Jan. 5, 2016**

(54) **SCALE WITH LABEL PRINTER**

(56) **References Cited**

(71) Applicant: **CHENGDU JIUZHOU ELECTRONIC INFORMATION SYSTEM, CO., LTD.**, Chengdu (CN)

U.S. PATENT DOCUMENTS

(72) Inventors: **Huaqiang Yang**, Chendu (CN); **Jun Guo**, Chengdu (CN); **Chuanjie Liu**, Chengdu (CN)

D260,377 S *	8/1981	Lawing	.....	D10/91
D261,241 S *	10/1981	Lawing	.....	D10/91
D454,805 S *	3/2002	Mimoto	.....	D10/91
D455,090 S *	4/2002	Mimoto	.....	D10/91
D455,091 S *	4/2002	Mimoto	.....	D10/91
D591,624 S *	5/2009	Taylor	.....	D10/91
D591,625 S *	5/2009	Taylor	.....	D10/91
D628,919 S *	12/2010	Taylor	.....	D10/91
2012/0217069 A1 *	8/2012	Kawamura et al.	.....	177/25.13

(73) Assignee: **CHENGDU JIUZHOU ELECTRIC INFORMATION SYSTEM, CO., LTD.**, Chengdu (CN)

\* cited by examiner

(\*\*) Term: **14 Years**

*Primary Examiner* — Antoine D Davis

(74) *Attorney, Agent, or Firm* — Oliff PLC

(21) Appl. No.: **29/510,910**

(57) **CLAIM**

The ornamental design for a scale with label printer, as shown and described.

(22) Filed: **Dec. 4, 2014**

(51) **LOC (10) Cl.** ..... **10-04**

**DESCRIPTION**

(52) **U.S. Cl.**  
USPC ..... **D10/91**

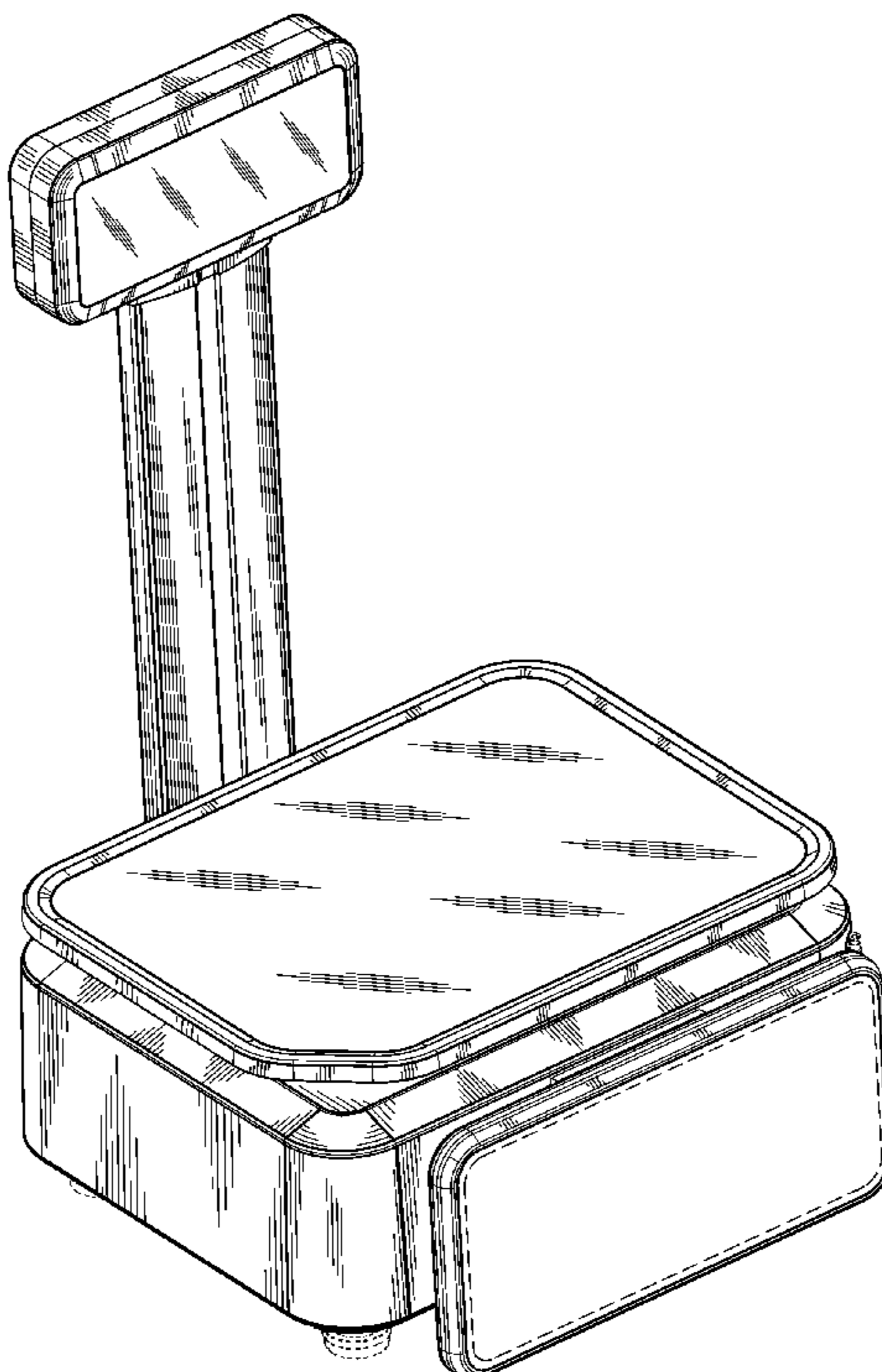
(58) **Field of Classification Search**  
USPC ..... D10/87-94; 177/1-264  
CPC ..... G01G 3/00-3/18; G01G 7/00-7/06;  
G01G 5/00-5/06; G01G 1/00-1/42; G01G  
9/00-9/005; G01G 11/00-11/20; G01G  
13/00-13/34; G01G 15/00-15/047; G01G  
17/00-17/08

FIG. 1 is a perspective view of a scale with label printer;  
FIG. 2 is a front view thereof;  
FIG. 3 is a rear view thereof;  
FIG. 4 is a left-side view thereof;  
FIG. 5 is a right-side view thereof;  
FIG. 6 is a top view thereof; and,  
FIG. 7 is a bottom view thereof.

The broken lines depict environmental subject matter only and form no part of the claimed design.

See application file for complete search history.

**1 Claim, 7 Drawing Sheets**



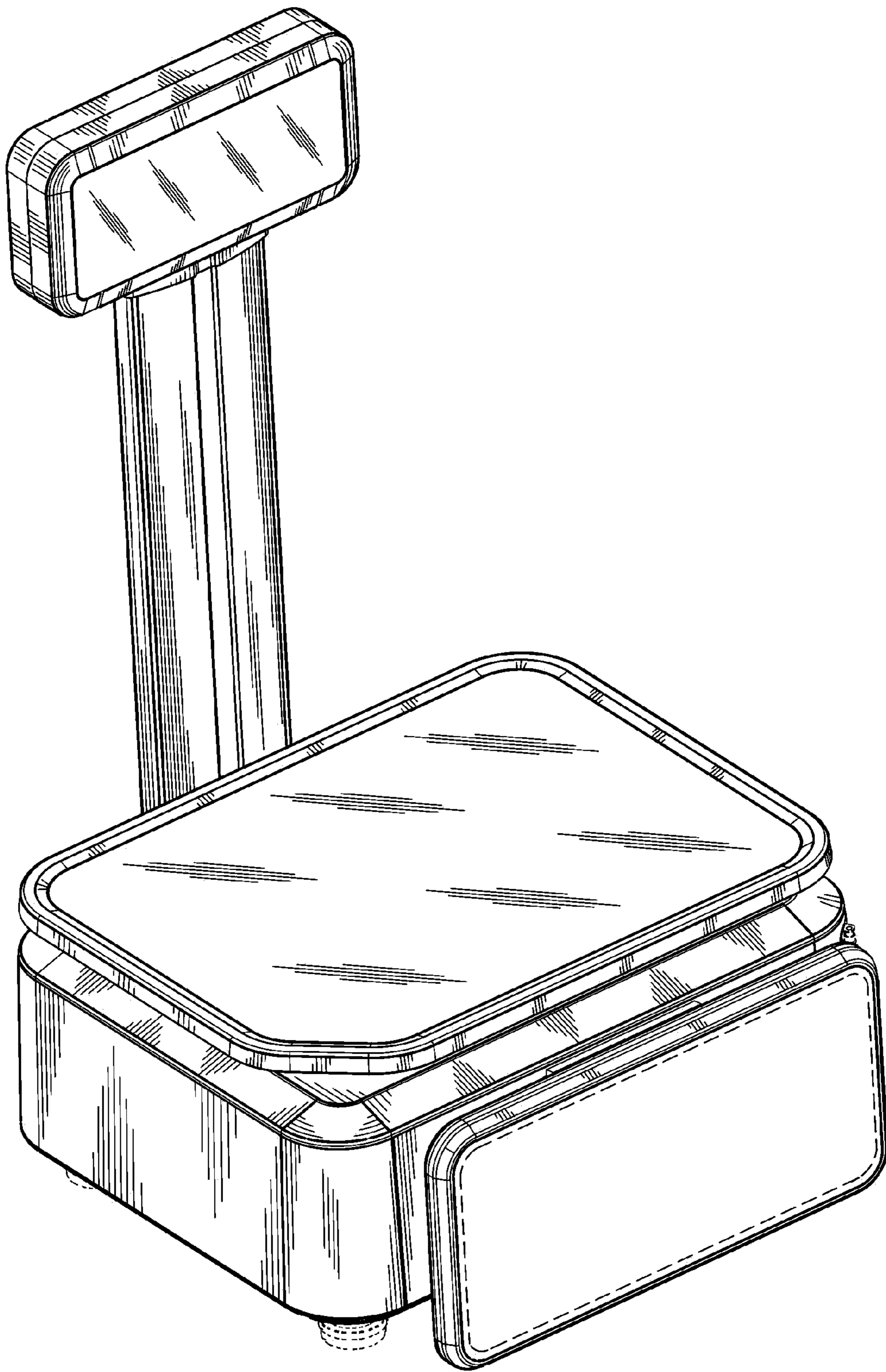


FIG. 1

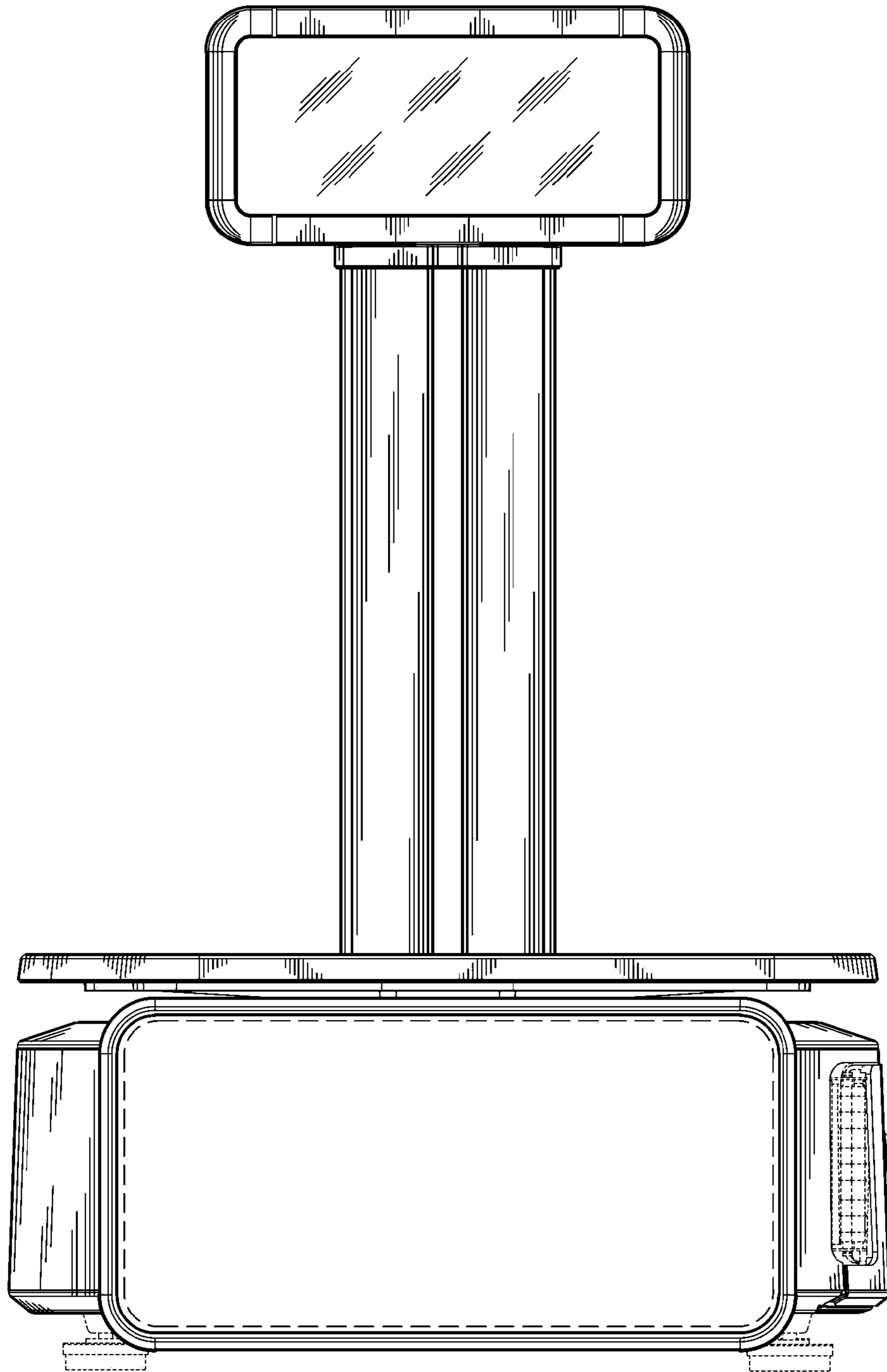


FIG. 2

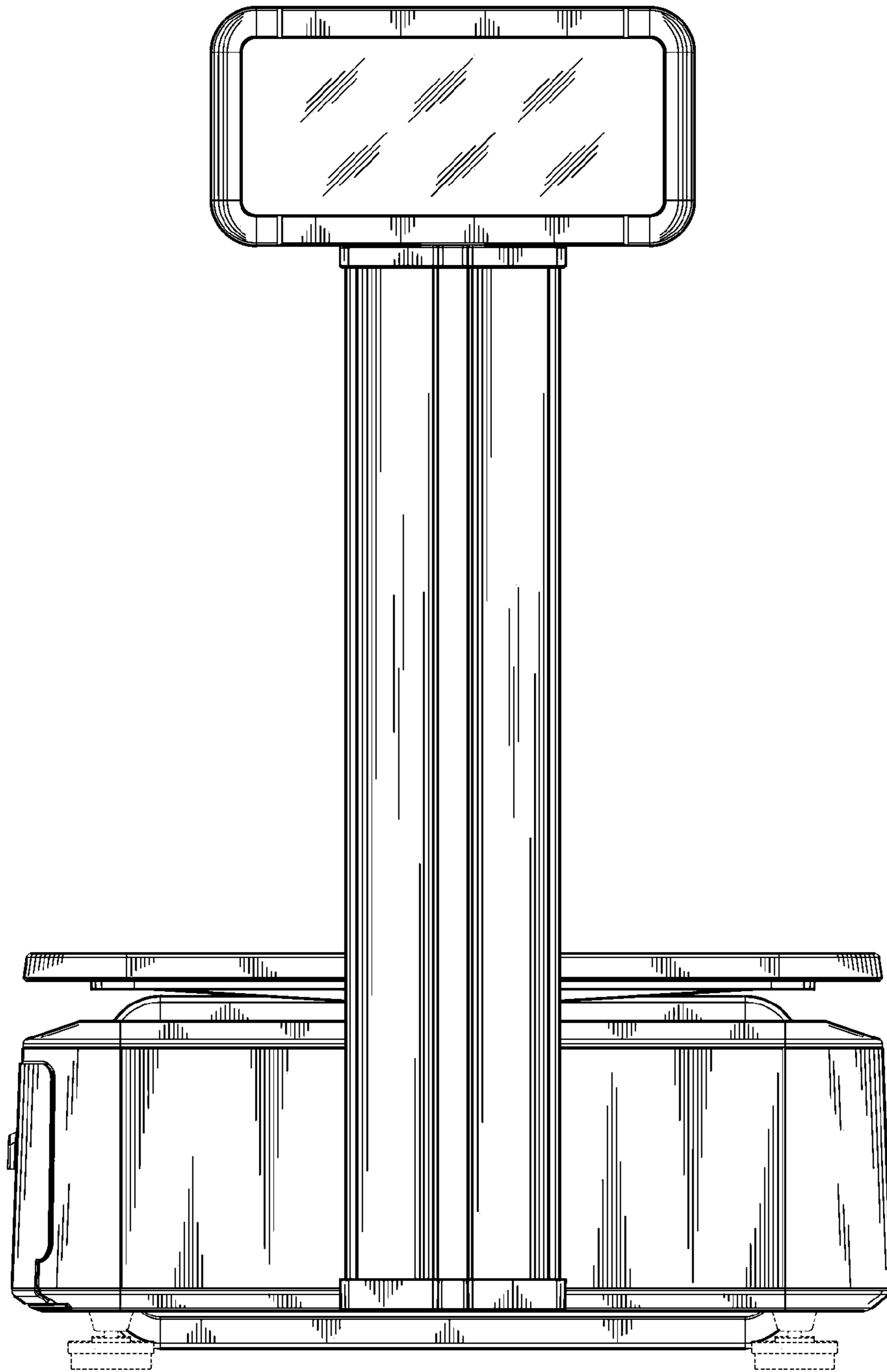


FIG. 3

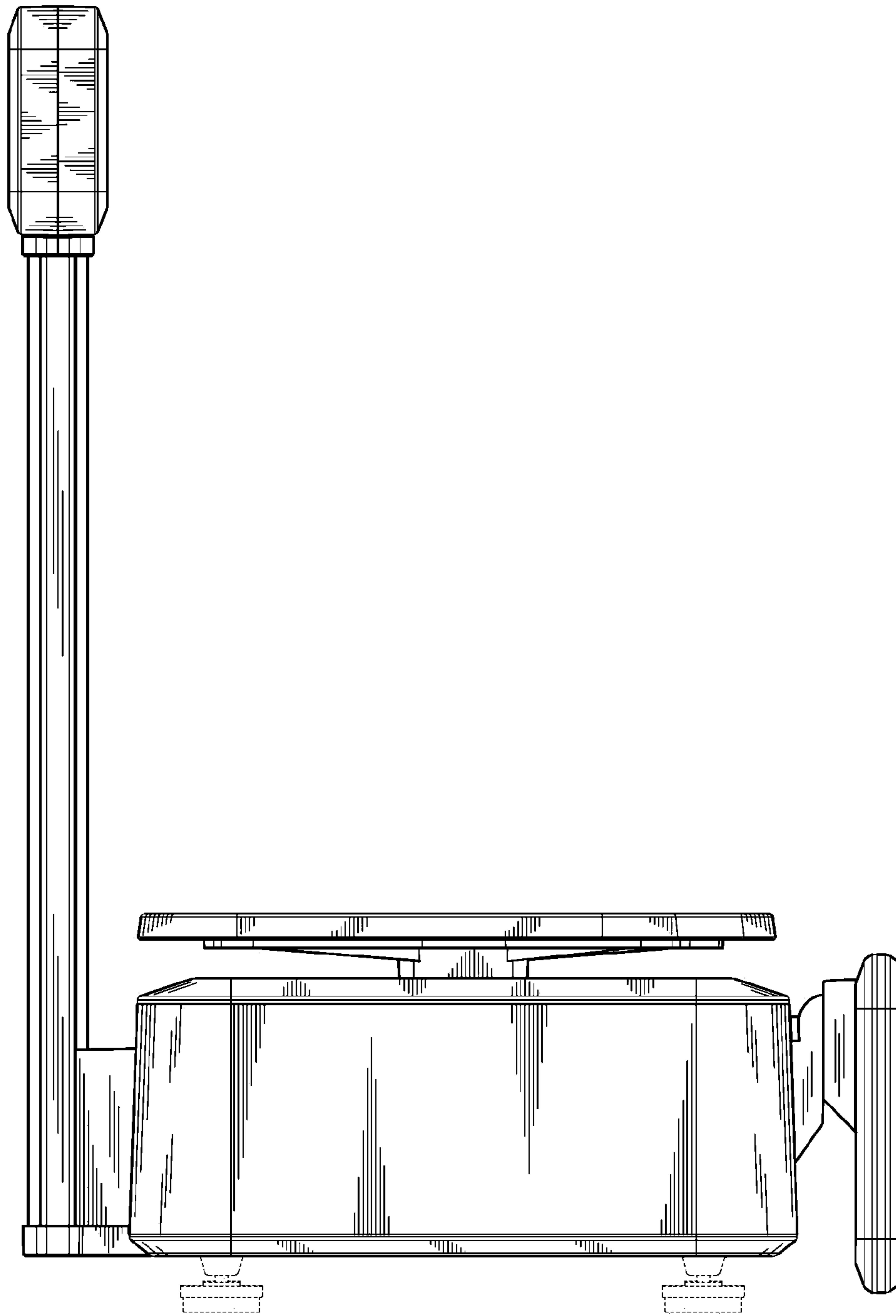


FIG. 4

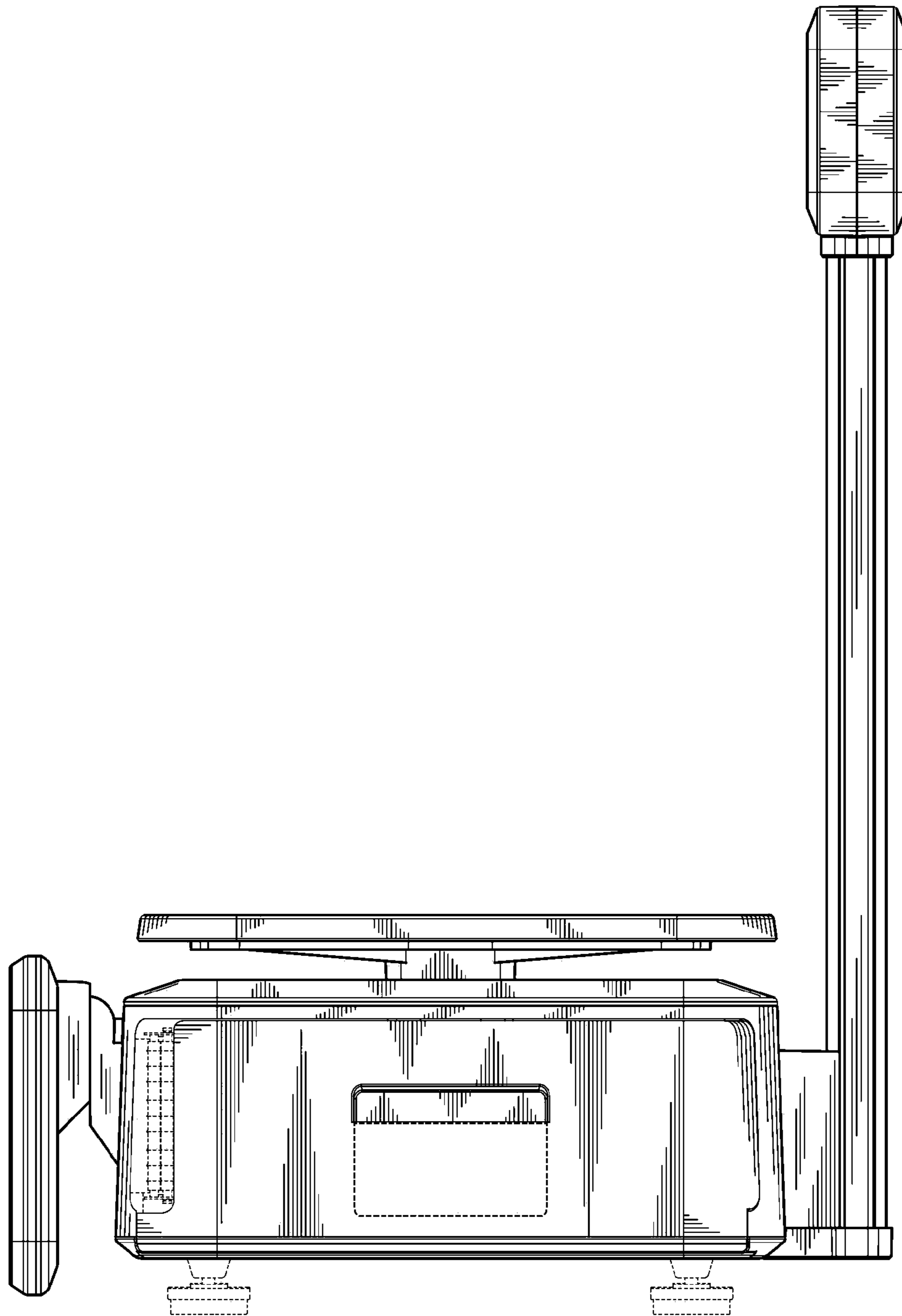


FIG. 5



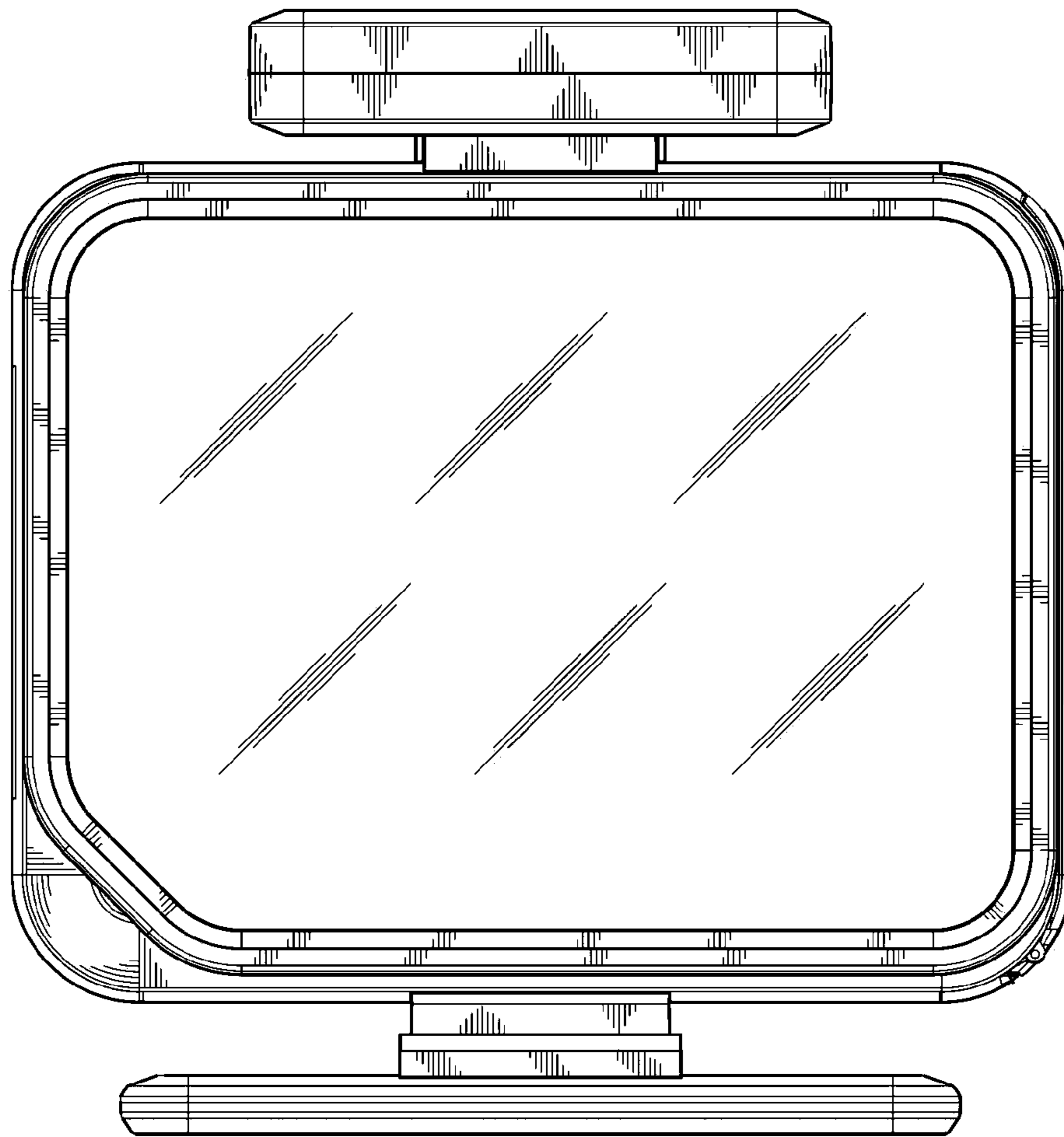


FIG. 6

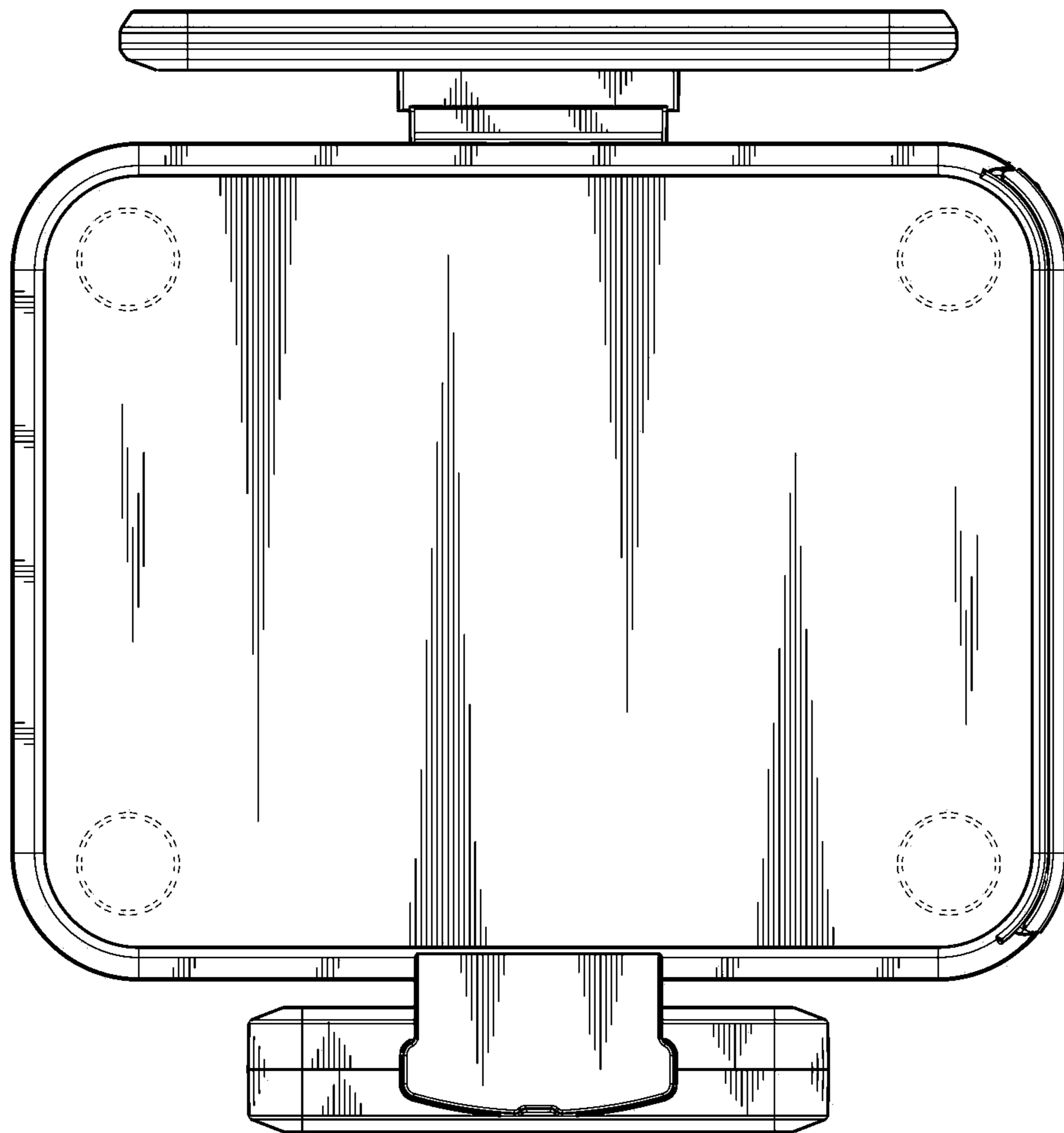


FIG. 7