



US00D746706S

(12) **United States Design Patent**  
**Kobayakawa**

(10) **Patent No.:** **US D746,706 S**  
(45) **Date of Patent:** **\*\* Jan. 5, 2016**

(54) **HEAT STROKE INDEX METER**  
(71) Applicant: **Tanita corporation**, Itabashi-ku, Tokyo (JP)  
(72) Inventor: **Tatsutoshi Kobayakawa**, Itabashi-ku (JP)  
(73) Assignee: **TANITA CORPORATION**, Tokyo (JP)  
(\*\*) Term: **14 Years**  
(21) Appl. No.: **29/485,734**  
(22) Filed: **Mar. 21, 2014**

(30) **Foreign Application Priority Data**  
Nov. 15, 2013 (JP) ..... 2013-026746  
(51) **LOC (10) Cl.** ..... **10-04**  
(52) **U.S. Cl.**  
USPC ..... **D10/57**  
(58) **Field of Classification Search**  
USPC ..... D24/133; D10/57; 374/100-103, 134,  
374/137-138, E17.008, E1.006, E1.011;  
600/549, 474  
CPC ..... G01J 2005/063; G01J 2005/068;  
G01J 5/0843; G01J 5/0896; G01J 5/048;  
G01J 5/16; G01J 5/0205; G01J 5/0003;  
G01J 5/084  
See application file for complete search history.

(56) **References Cited**  
U.S. PATENT DOCUMENTS  
D362,398 S \* 9/1995 Gebhardt ..... D10/57  
D421,232 S \* 2/2000 Hosey ..... D10/57  
8,143,567 B2 \* 3/2012 Williams ..... G01J 5/0896  
250/214 AL

FOREIGN PATENT DOCUMENTS  
JP D1531260 \* 2/2015  
\* cited by examiner

*Primary Examiner* — Wan Laymon  
(74) *Attorney, Agent, or Firm* — Sughrue Mion, PLLC

(57) **CLAIM**  
The ornamental design for a heat stroke index meter, as shown and described.

**DESCRIPTION**  
FIG. 1 is a perspective view of a heat stroke index meter.  
FIG. 2 is a front elevation view thereof.  
FIG. 3 is a rear elevation view thereof.  
FIG. 4 is a left side elevation view thereof.  
FIG. 5 is a right side elevation view thereof.  
FIG. 6 is a top plan view thereof; and,  
FIG. 7 is a bottom plan view thereof.

**1 Claim, 7 Drawing Sheets**

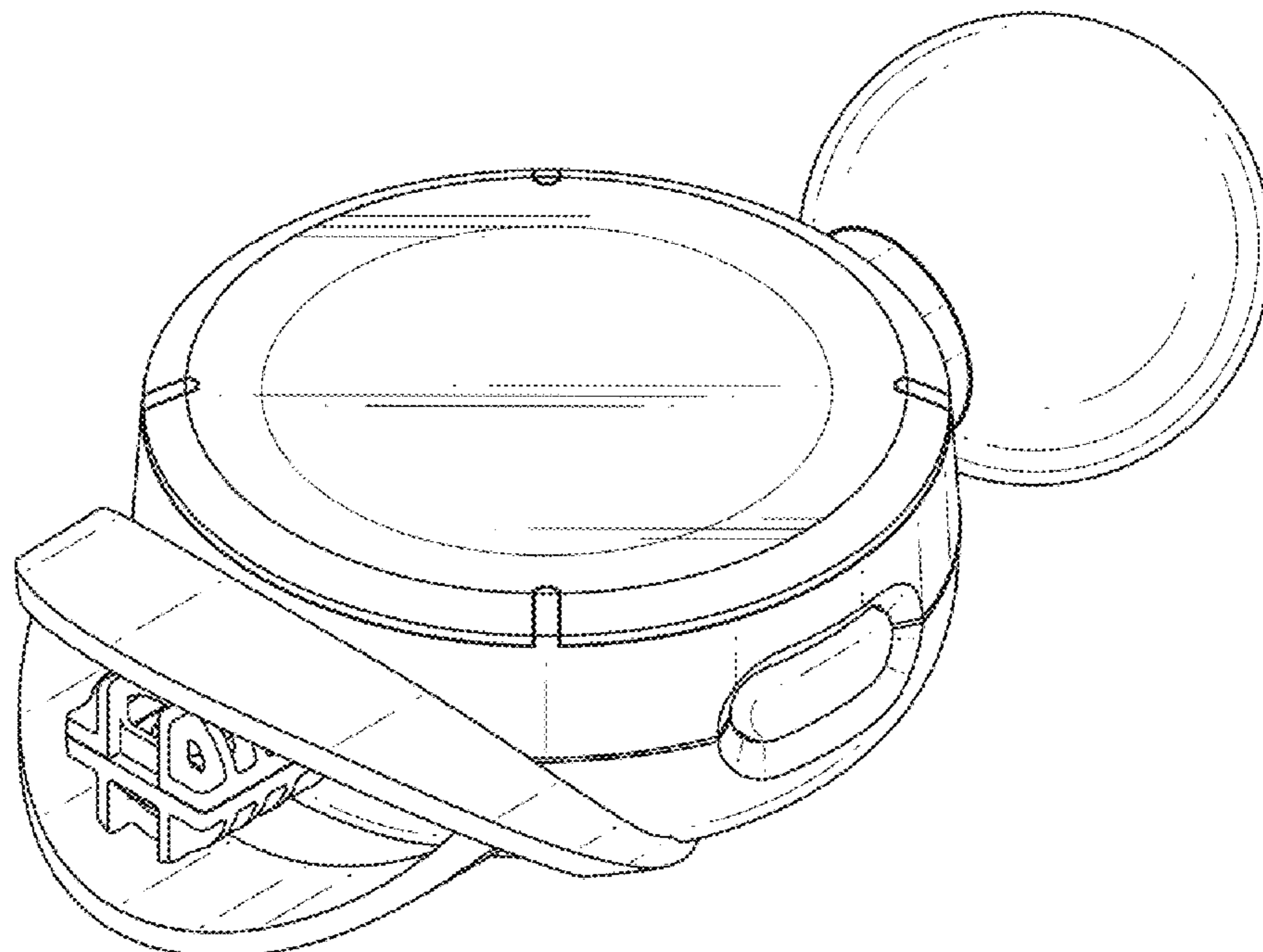


FIG. 1

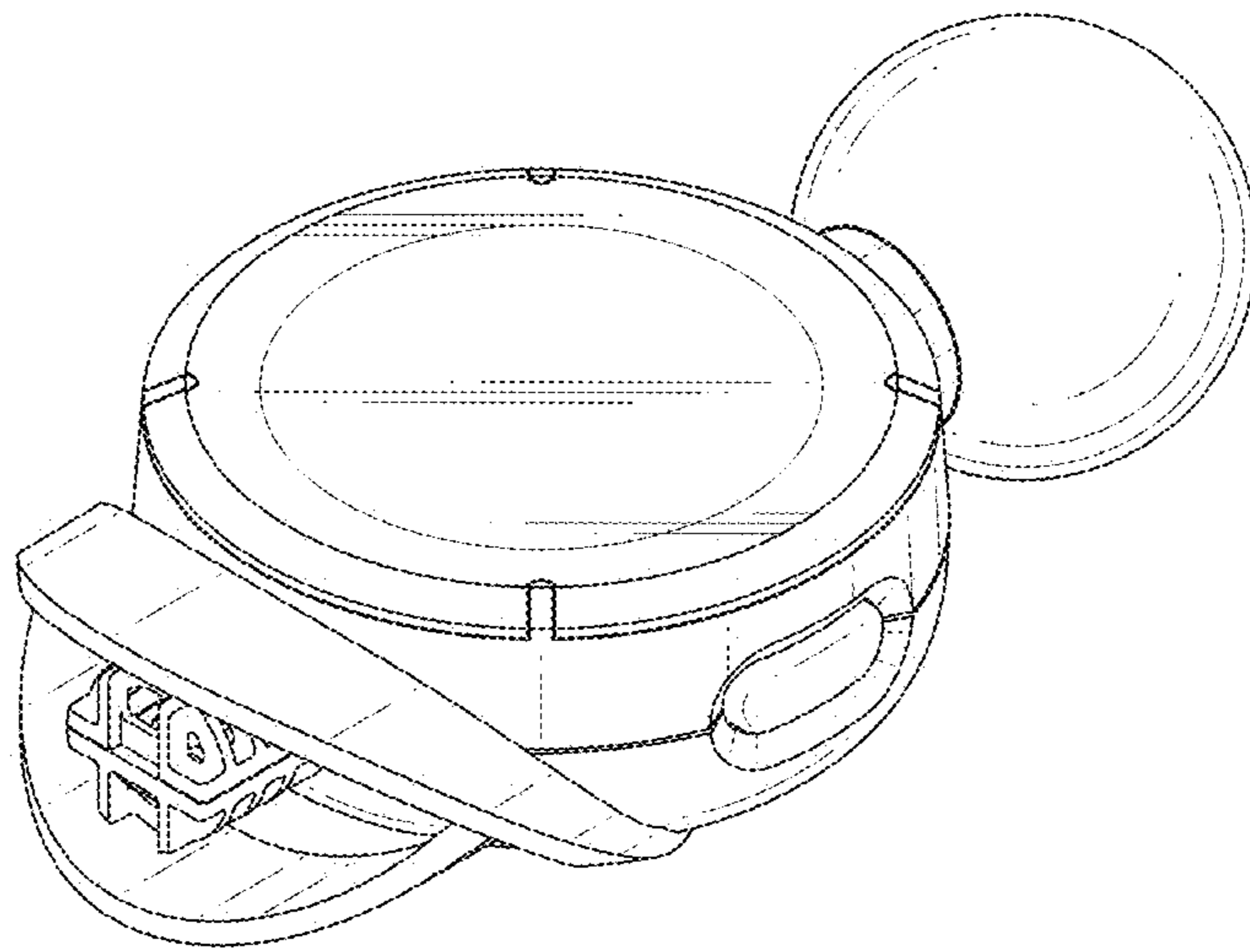


FIG. 2

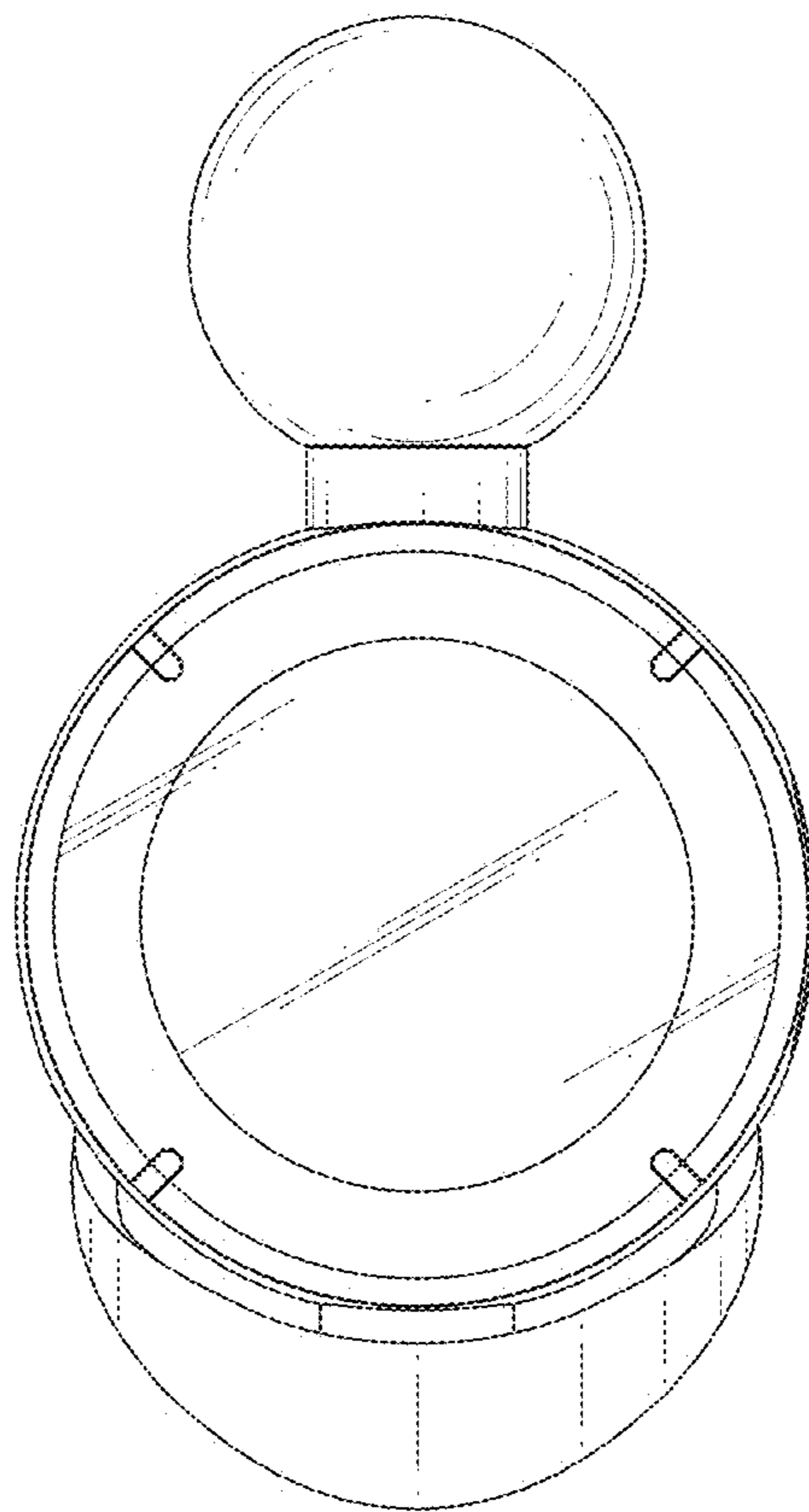


FIG. 3

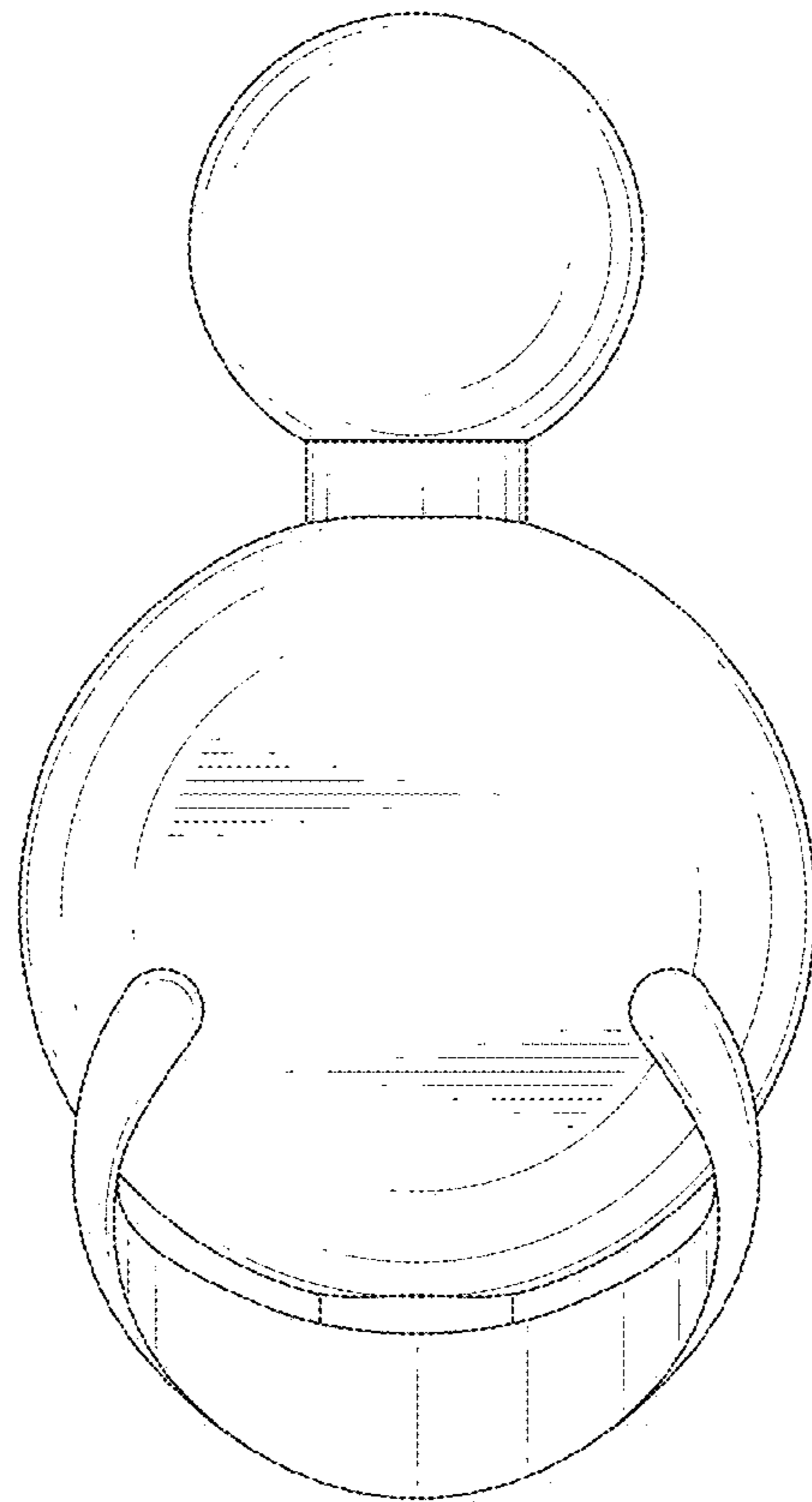


FIG. 4

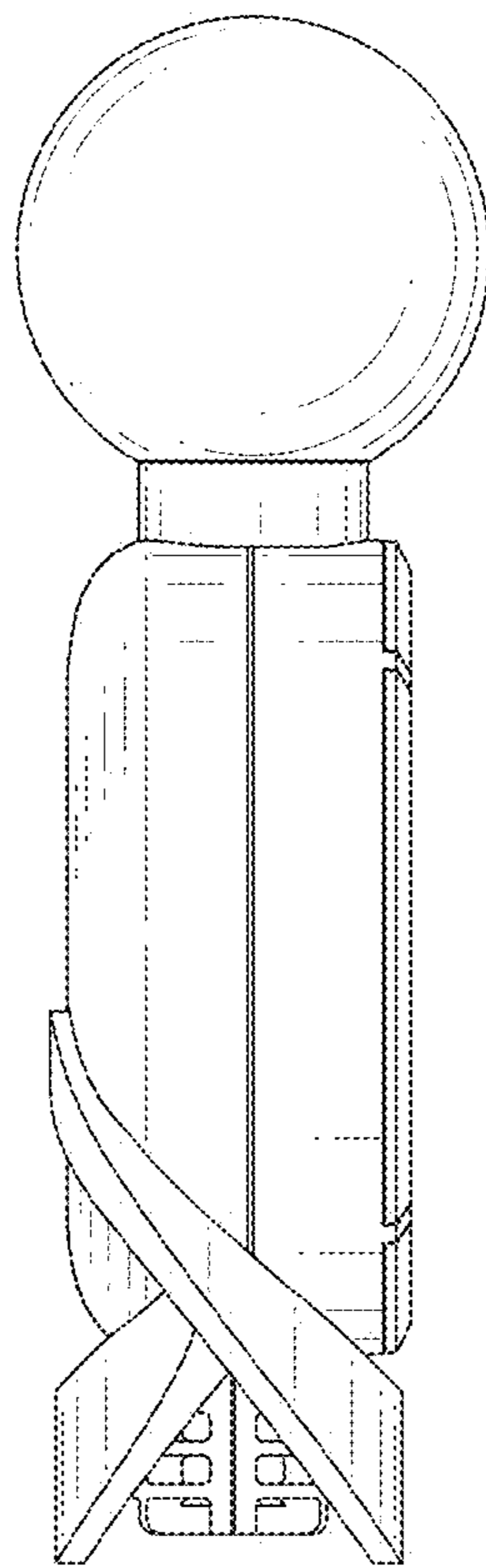


FIG. 5

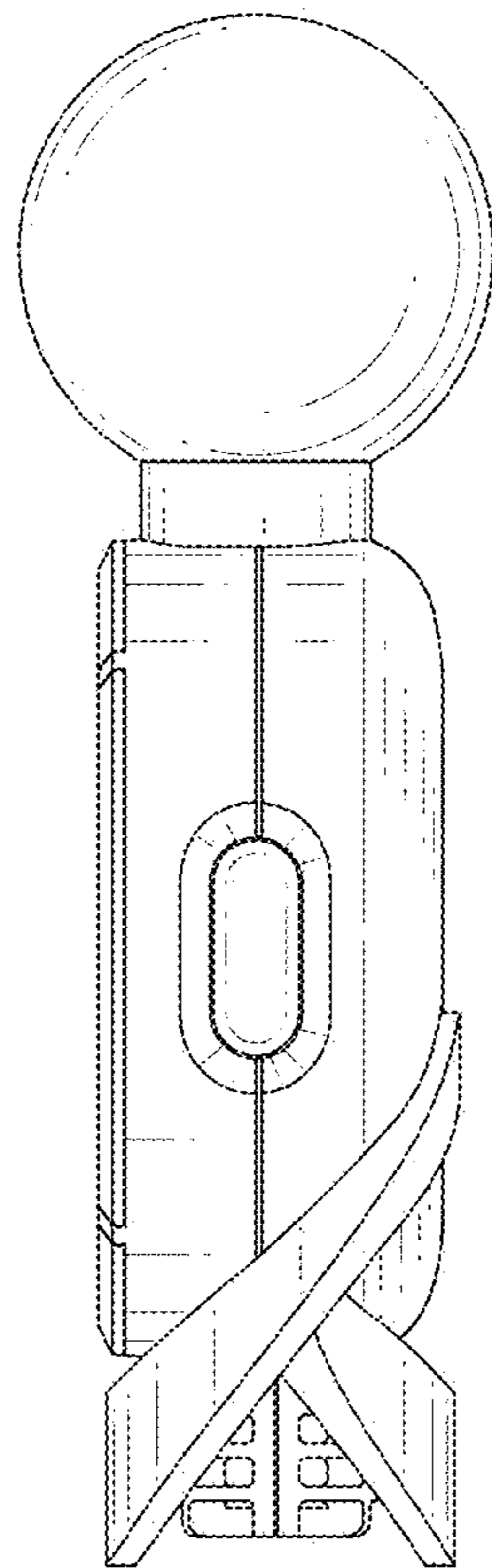


FIG. 6

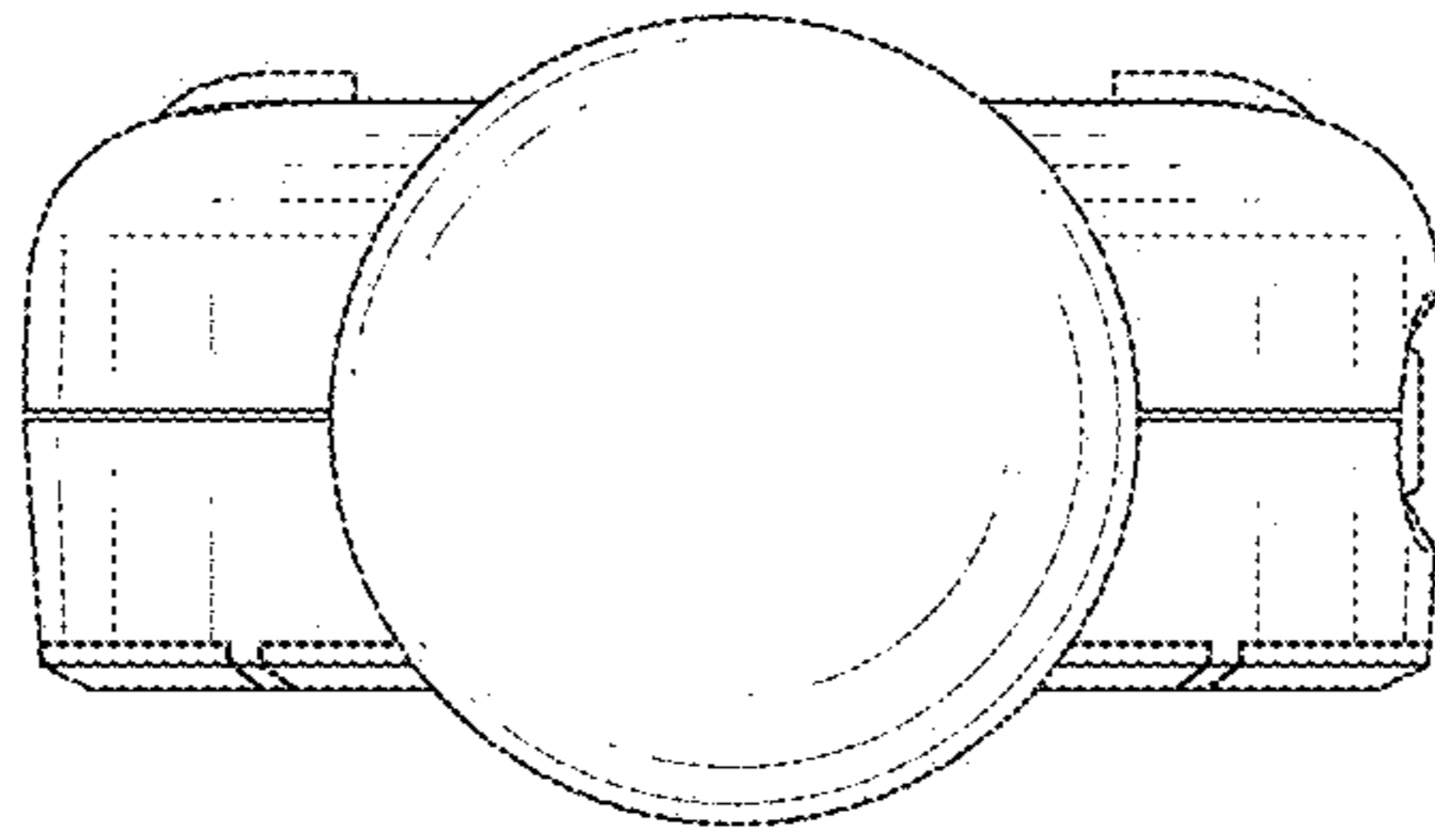


FIG. 7

