

US00D746705S

(12) **United States Design Patent**
Primiani et al.

(10) **Patent No.:** **US D746,705 S**
(45) **Date of Patent:** **** Jan. 5, 2016**

(54) **ENVIRONMENT CONTROL HOUSING AND FACEPLATE**

(71) Applicant: **Schneider Electric Industries SAS**,
Rueil-Malmaison (FR)

(72) Inventors: **Paolo Primiani**, Laval (CA); **Theodore Giouzelis**, Montreal (CA)

(73) Assignee: **Schneider Electric Industries SAS** (FR)

(**) Term: **14 Years**

(21) Appl. No.: **29/483,668**

(22) Filed: **Feb. 28, 2014**

(51) **LOC (10) Cl.** **10-04**

(52) **U.S. Cl.**
USPC **D10/50**

(58) **Field of Classification Search**
USPC D10/49-50
CPC F23N 5/20; F23N 5/203; F23N 5/206;
F23N 5/18; F23N 5/184; F23N 5/187; F23N
5/22; F23N 2025/12; F23N 2041/02; F24F
11/00; F24F 11/0012; F24F 11/0009; F24F
11/001; F24F 2011/0057; F24F 2011/0073;
F24F 2011/0091

See application file for complete search history.

(56) **References Cited**

U.S. PATENT DOCUMENTS

D509,151 S *	9/2005	Takach et al.	D10/50
D518,744 S *	4/2006	Rosen	D10/50
D556,061 S *	11/2007	Rosen	D10/50
D582,802 S *	12/2008	Branson et al.	D10/50
D614,975 S *	5/2010	Fisher	D10/50
D642,081 S *	7/2011	Kashimoto	D10/49
D643,318 S *	8/2011	Morrow	D10/50
D646,187 S *	10/2011	Edgar	D10/50
D648,641 S *	11/2011	Wallaert et al.	D10/50
D648,642 S *	11/2011	Wallaert et al.	D10/50
D684,872 S *	6/2013	Bias et al.	D10/49

* cited by examiner

Primary Examiner — Antoine D Davis
(74) *Attorney, Agent, or Firm* — Cooley LLP

(57) **CLAIM**

The ornamental design for an environment control housing and faceplate, as shown and described.

DESCRIPTION

The patent or application file contains at least one drawing executed in color. Copies of this patent or patent application publication with color drawing(s) will be provided by the Office upon request and payment of the necessary fee.

FIG. 1 is a front bottom right perspective view with the faceplate removed from the environment control housing for a first embodiment;

FIG. 2 is a front bottom right perspective view thereof with the faceplate seated in the environment control housing;

FIG. 3 is a rear bottom right perspective view with the faceplate removed from the environment control housing for a second embodiment;

FIG. 4 is a rear bottom left perspective view thereof;

FIG. 5 is a front bottom left perspective view thereof with the faceplate removed from the environment control housing;

FIG. 6 is a front bottom left perspective view thereof with the faceplate seated in the environment control housing;

FIG. 7 is a rear top right perspective view thereof;

FIG. 8 is a rear top right perspective view thereof, with the faceplate removed from the environment control housing;

FIG. 9 is a front right side perspective view thereof with the faceplate removed from the environment control housing;

FIG. 10 is a perspective view illustrating color and surface treatment for a third embodiment, including a white cover, dark brown wood fascia, and dark grey touch screen;

FIG. 11 is a front view illustrating color and surface treatment for a fourth embodiment, including a white cover, glossy translucent black fascia, and white touch screen;

FIG. 12 is a front view illustrating color and surface treatment for a fifth embodiment, including a silver cover, glossy translucent white fascia, and green touch screen;

FIG. 13 is a front view illustrating color and surface treatment for a sixth embodiment, including a white cover, glossy translucent silver fascia, and blue touch screen;

FIG. 14 is a perspective view illustrating color and surface treatment for a seventh embodiment, including a silver cover, glossy translucent black fascia, and grey touch screen;

FIG. 15 is a front view illustrating color and surface treatment for an eighth embodiment, including a white cover, brushed aluminum fascia, and dark grey touch screen;

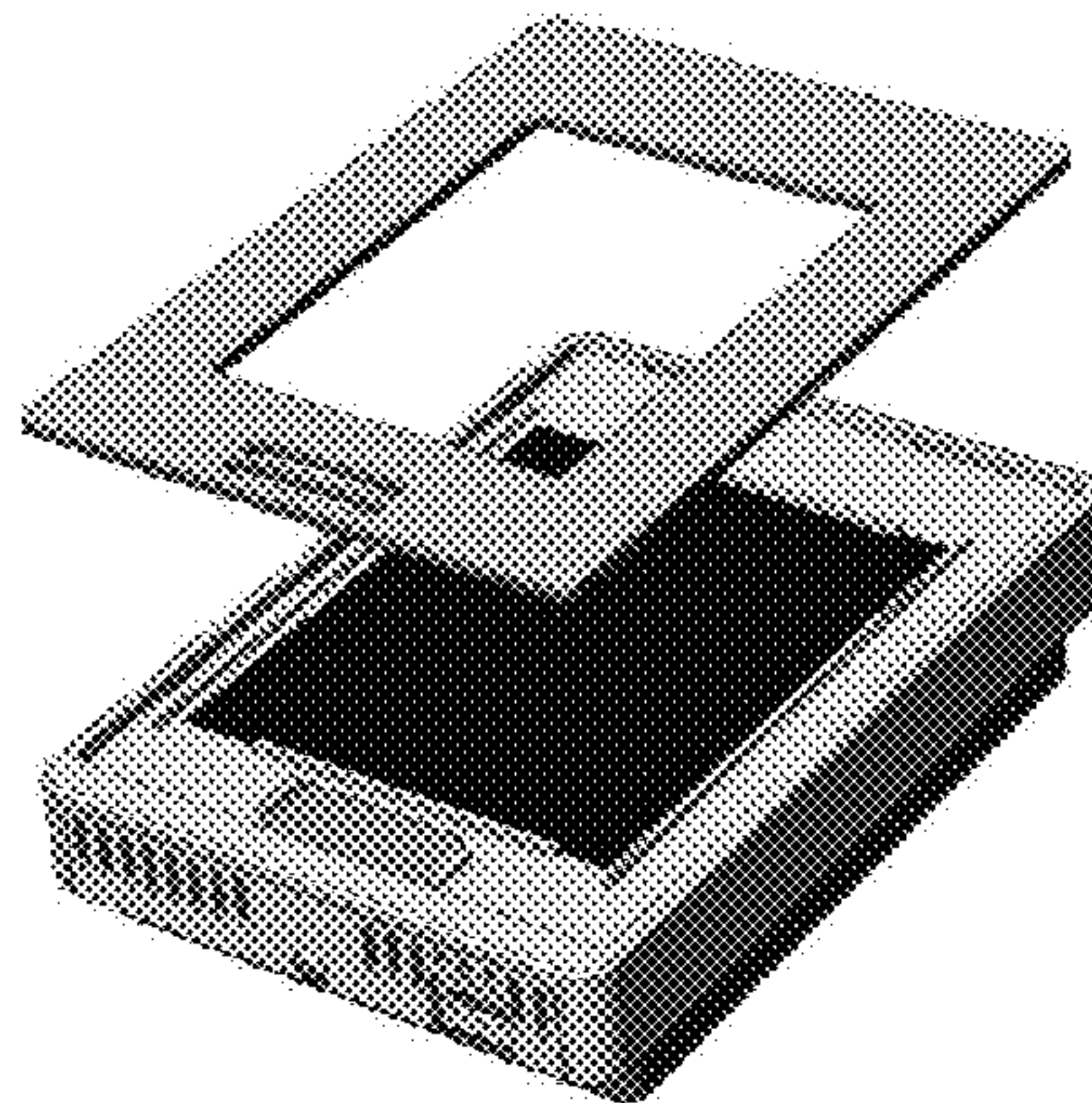


FIG. 16 is a front view illustrating color and surface treatment for a ninth embodiment, including a silver cover, light grey slate fascia, and green touch screen;

FIG. 17 is a perspective view illustrating color and surface treatment for a tenth embodiment, including a silver cover, light grey slate fascia, and white touch screen;

FIG. 18 is a perspective view illustrating color and surface treatment for an eleventh embodiment, including a white cover, white fascia, and white touch screen;

FIG. 19 is a perspective view illustrating color and surface treatment for a twelfth embodiment, including a silver cover, glossy translucent silver fascia, and white touch screen;

FIG. 20 is a front view illustrating color and surface treatment for a thirteenth embodiment, including a blue touch screen with English language text;

FIG. 21 is a front view illustrating color and surface treatment for a fourteenth embodiment, including a green touch screen with French language text;

FIG. 22 is a front view illustrating color and surface treatment for a fifteenth embodiment, including a grey touch screen with Spanish language text;

FIG. 23 is a front view illustrating color and surface treatment for a sixteenth embodiment, including a grey touch screen with Chinese language text;

FIG. 24 is a perspective view illustrating color and surface treatment for a seventeenth embodiment, including a white cover, brushed aluminum fascia, and grey touch screen;

FIG. 25 is a front view illustrating color and surface treatment for an eighteenth embodiment, including a white cover, silver fascia, and blue touch screen;

FIG. 26 is a front view illustrating color and surface treatment for a nineteenth embodiment, including a silver cover, glossy translucent silver fascia, and white touch screen;

FIG. 27 is a perspective view illustrating color and surface treatment for a twentieth embodiment, including a white cover, white fascia, and green touch screen;

FIG. 28 is a front view illustrating color and surface treatment for a twenty-first embodiment, including a white cover, light tan wood fascia, and white touch screen;

FIG. 29 is a front view illustrating color and surface treatment for a twenty-second embodiment, including a silver cover, dark black wood fascia, and grey touch screen;

FIG. 30 is a front view illustrating color and surface treatment for a twenty-third embodiment, including a silver cover, dark brown wood fascia, and white touch screen; and,

FIG. 31 is a rear view of the environment control housing for the embodiments depicted in FIGS. 1, 2, and 10-30.

All views not shown in FIGS. 10-30 are substantially the same as those views as presented in the first and second embodiments disclosed herein.

**1 Claim, 31 Drawing Sheets
(20 of 31 Drawing Sheet(s) Filed in Color)**

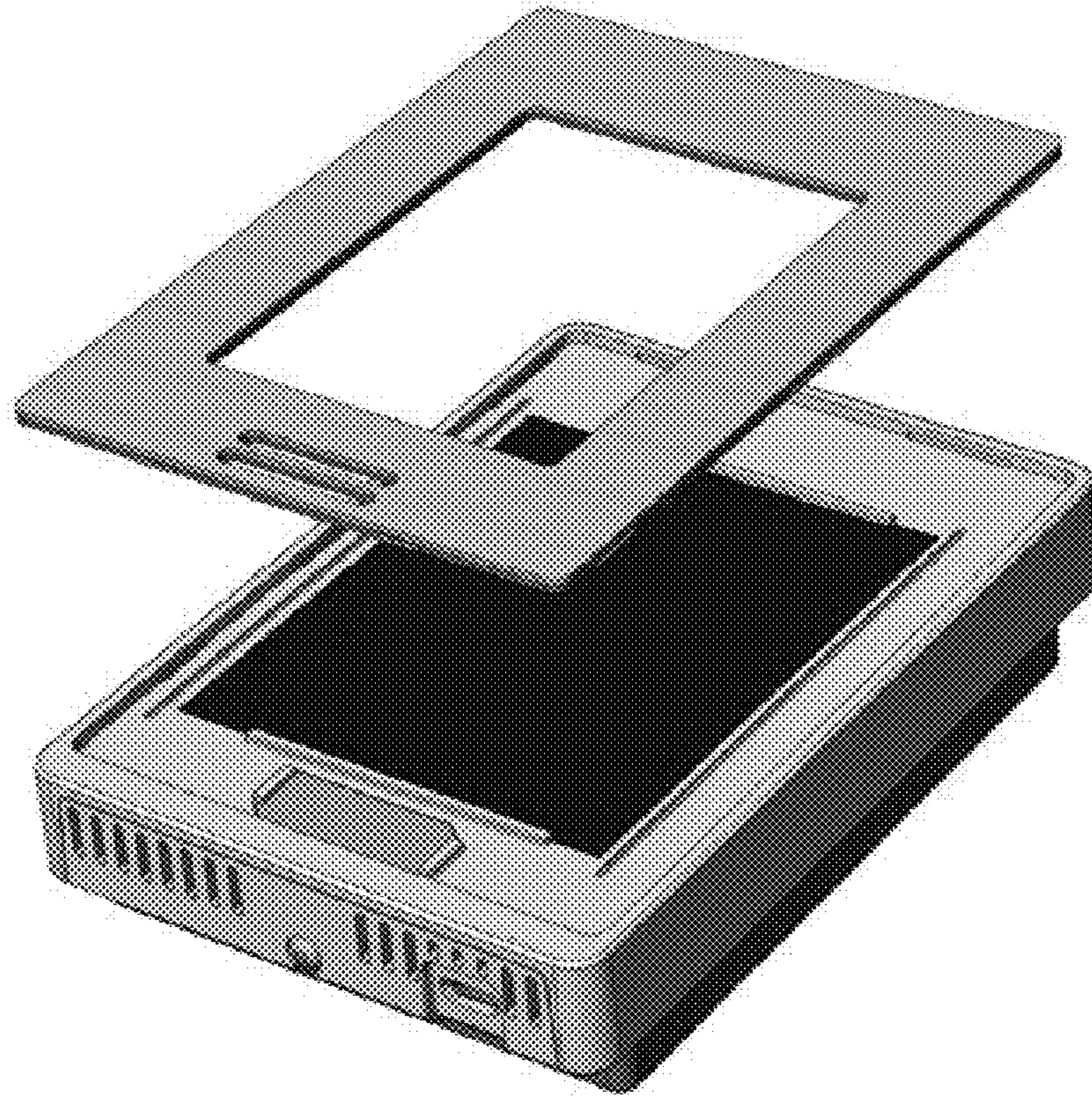


FIG. 1

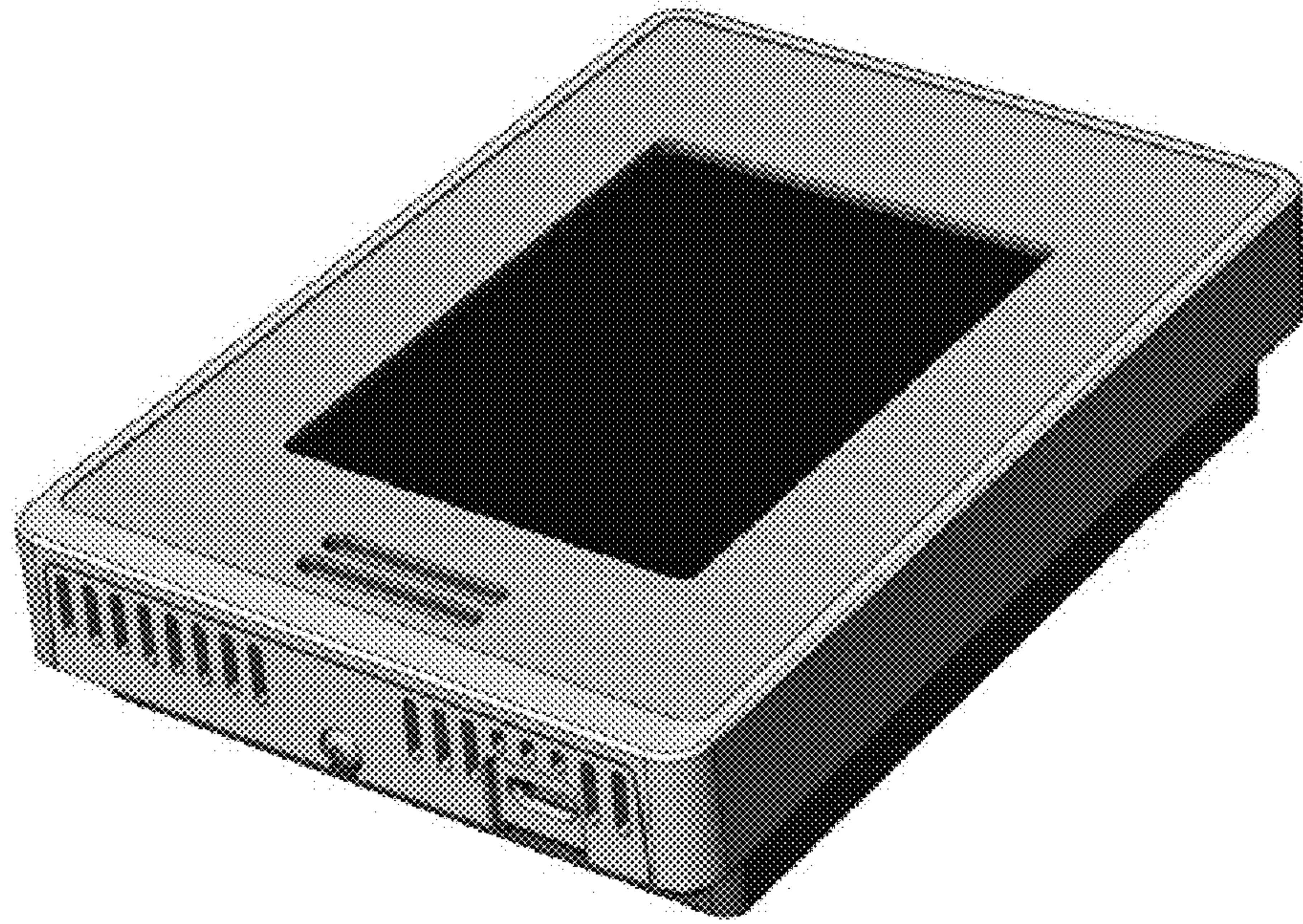


FIG. 2

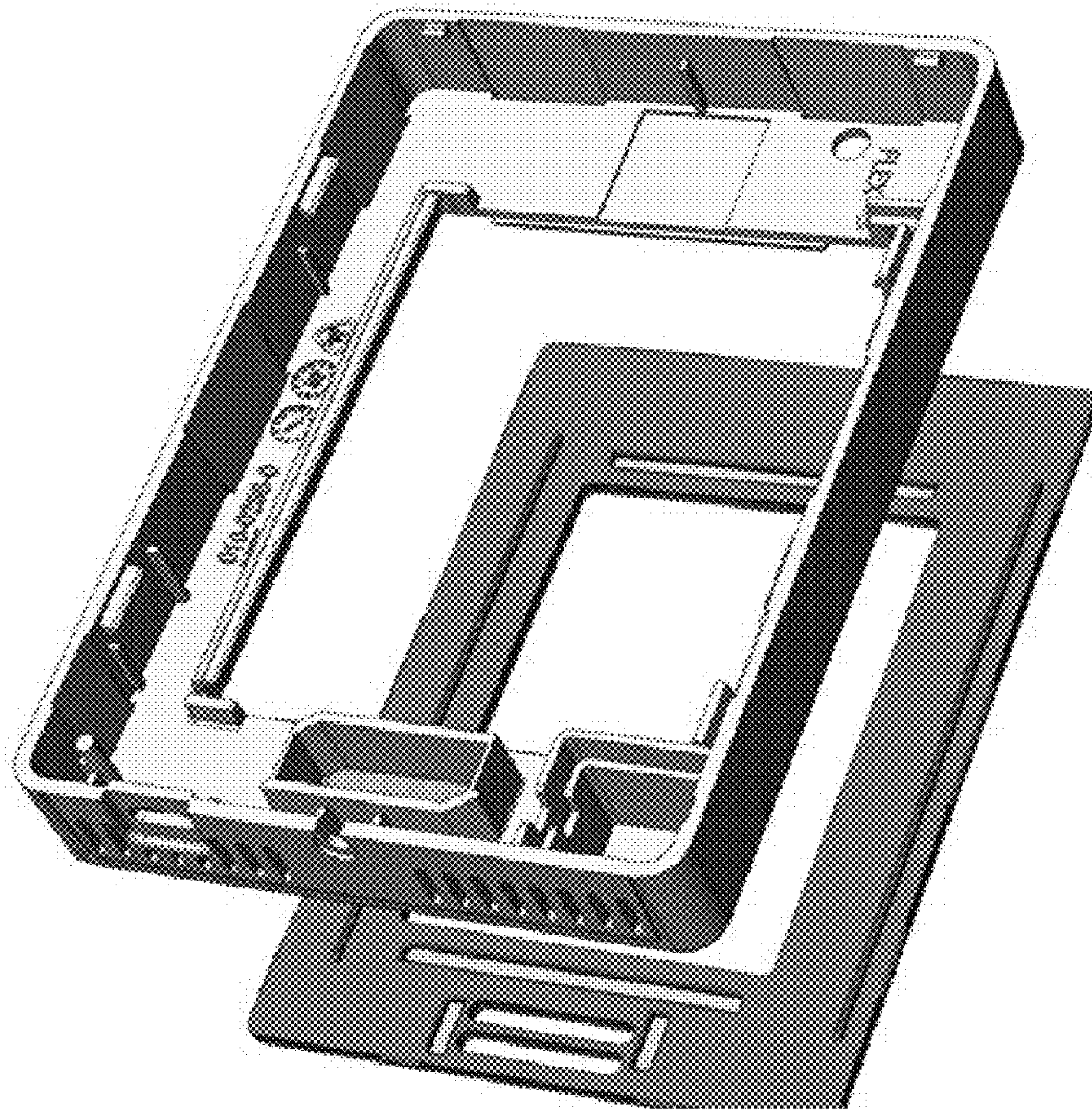


FIG. 3

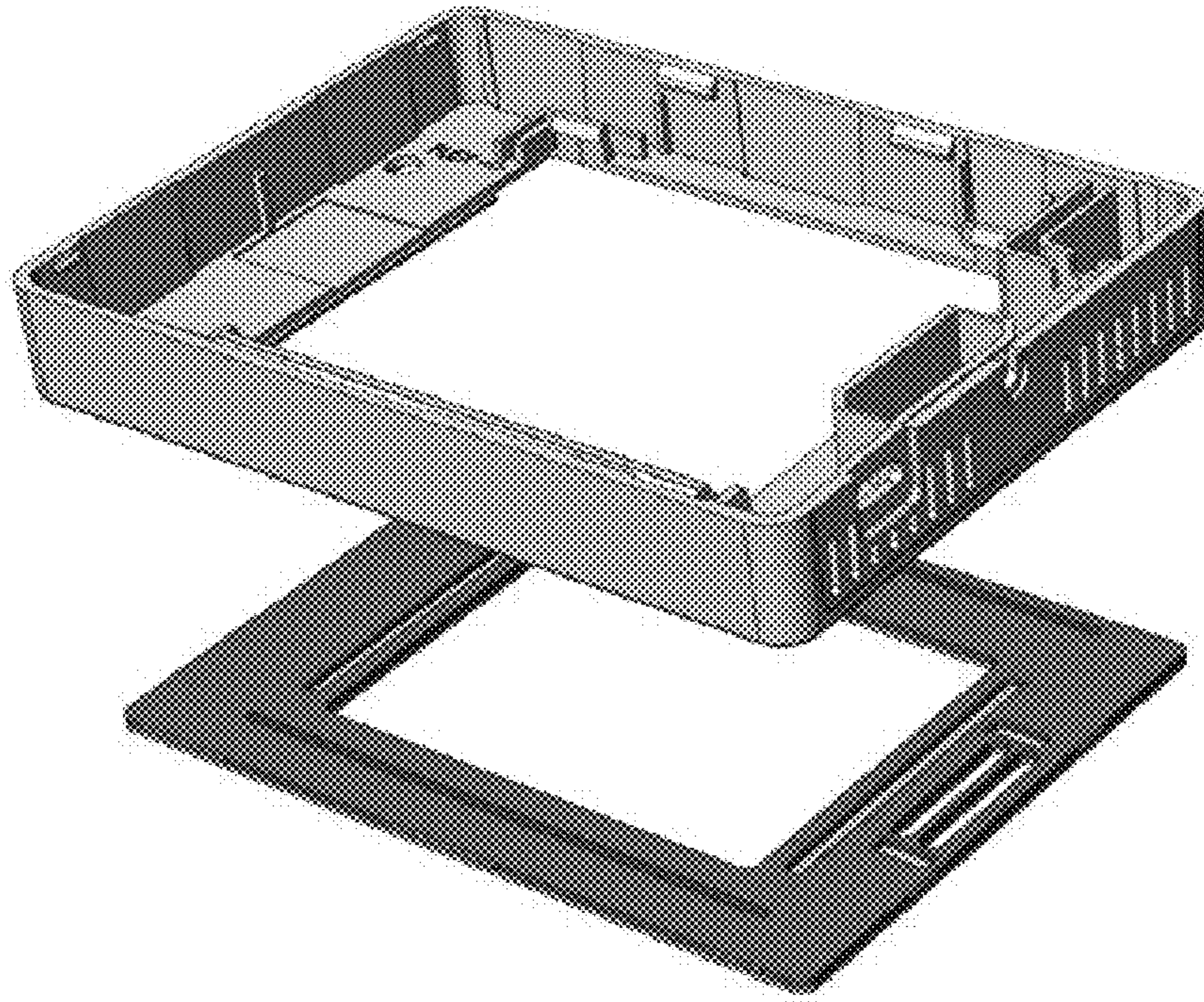


FIG. 4

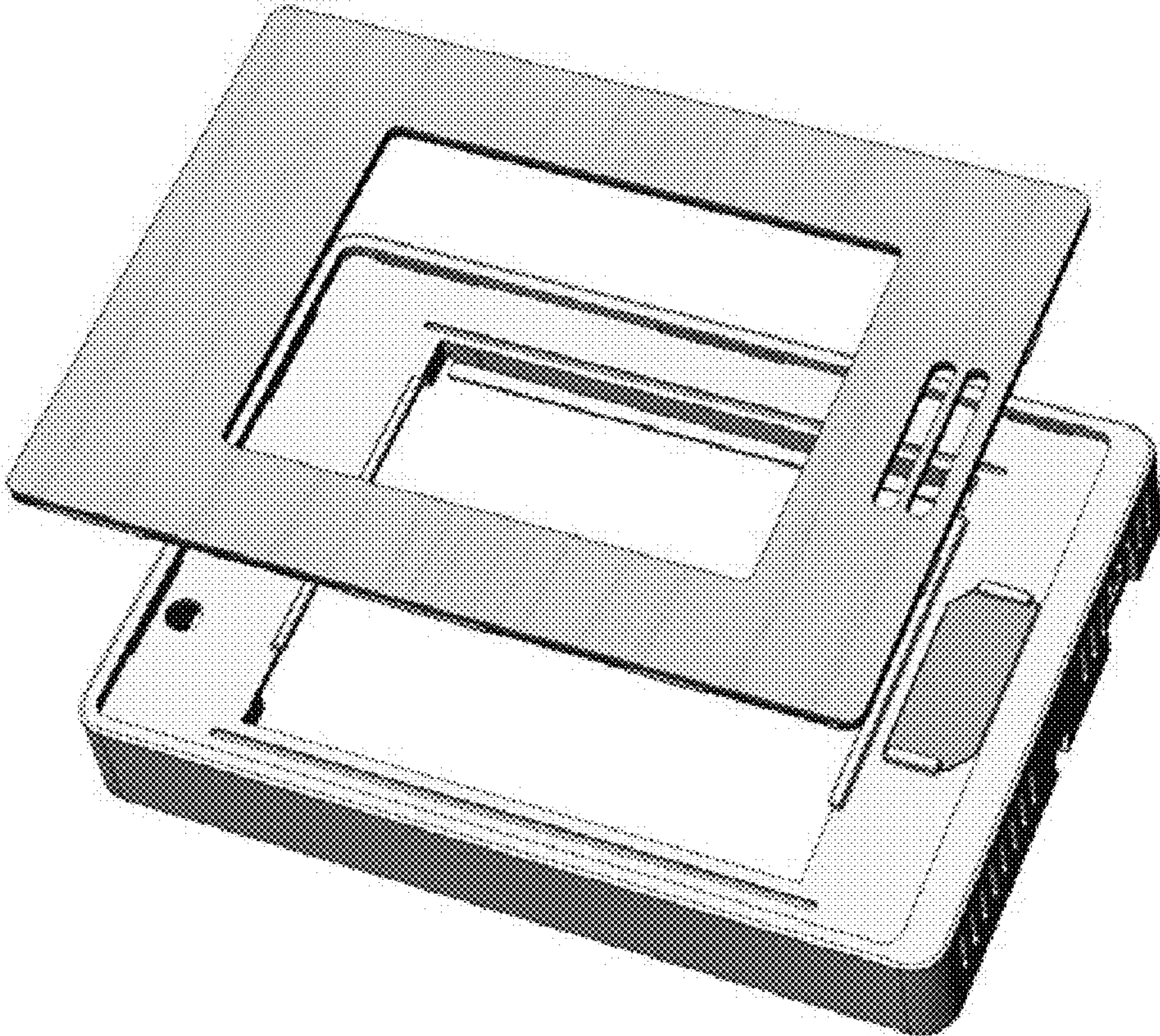


FIG. 5

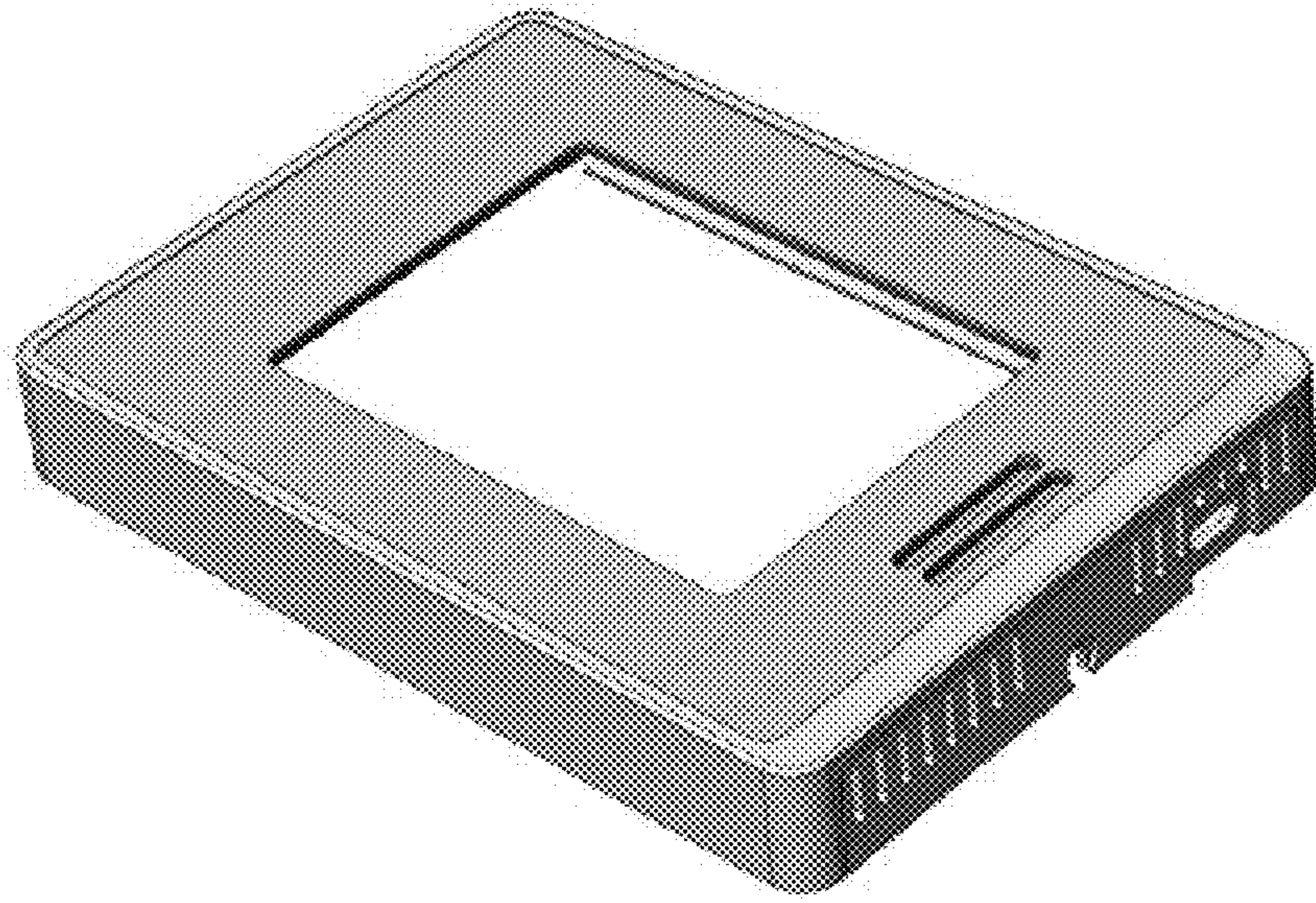


FIG. 6

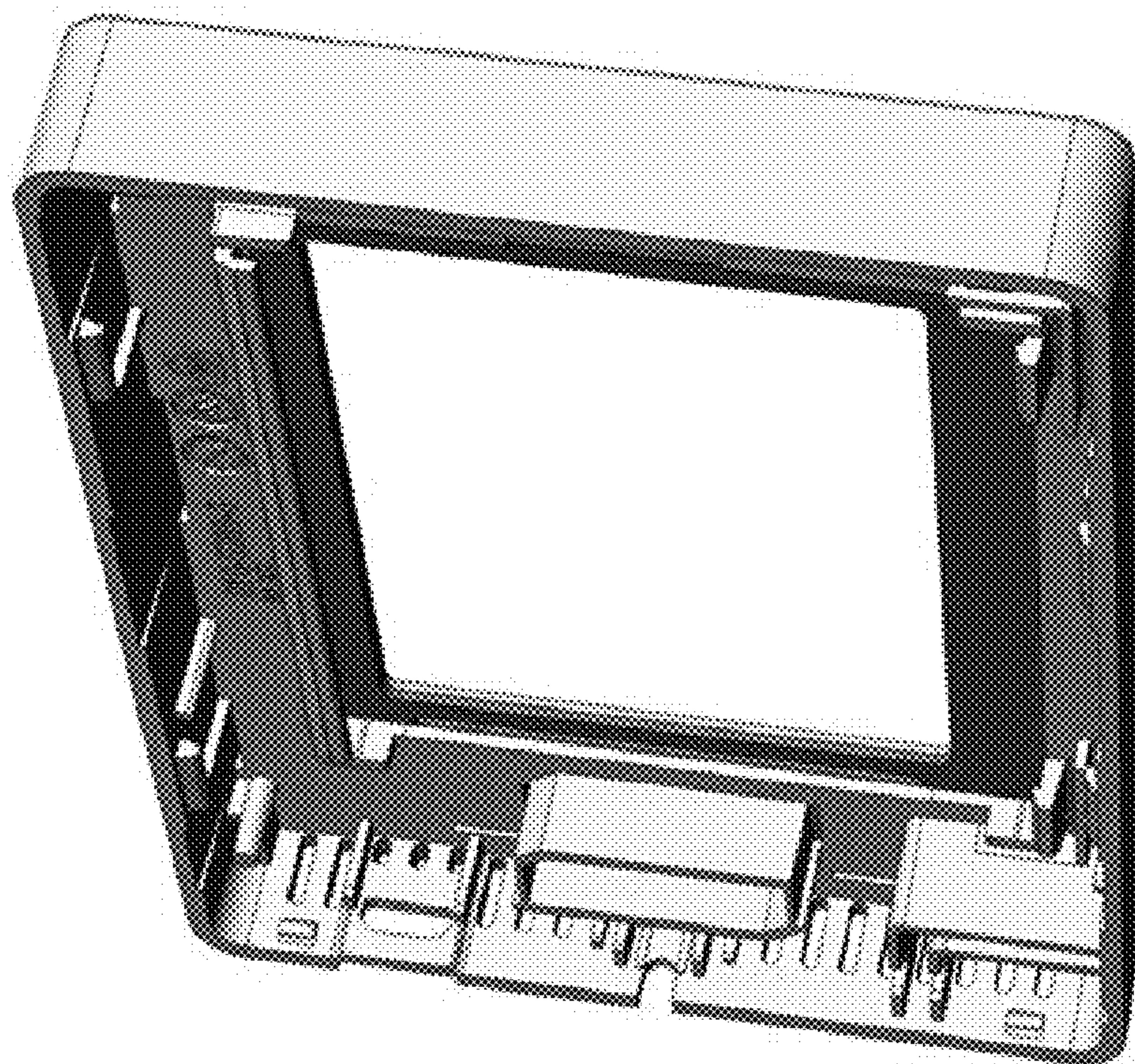


FIG. 7

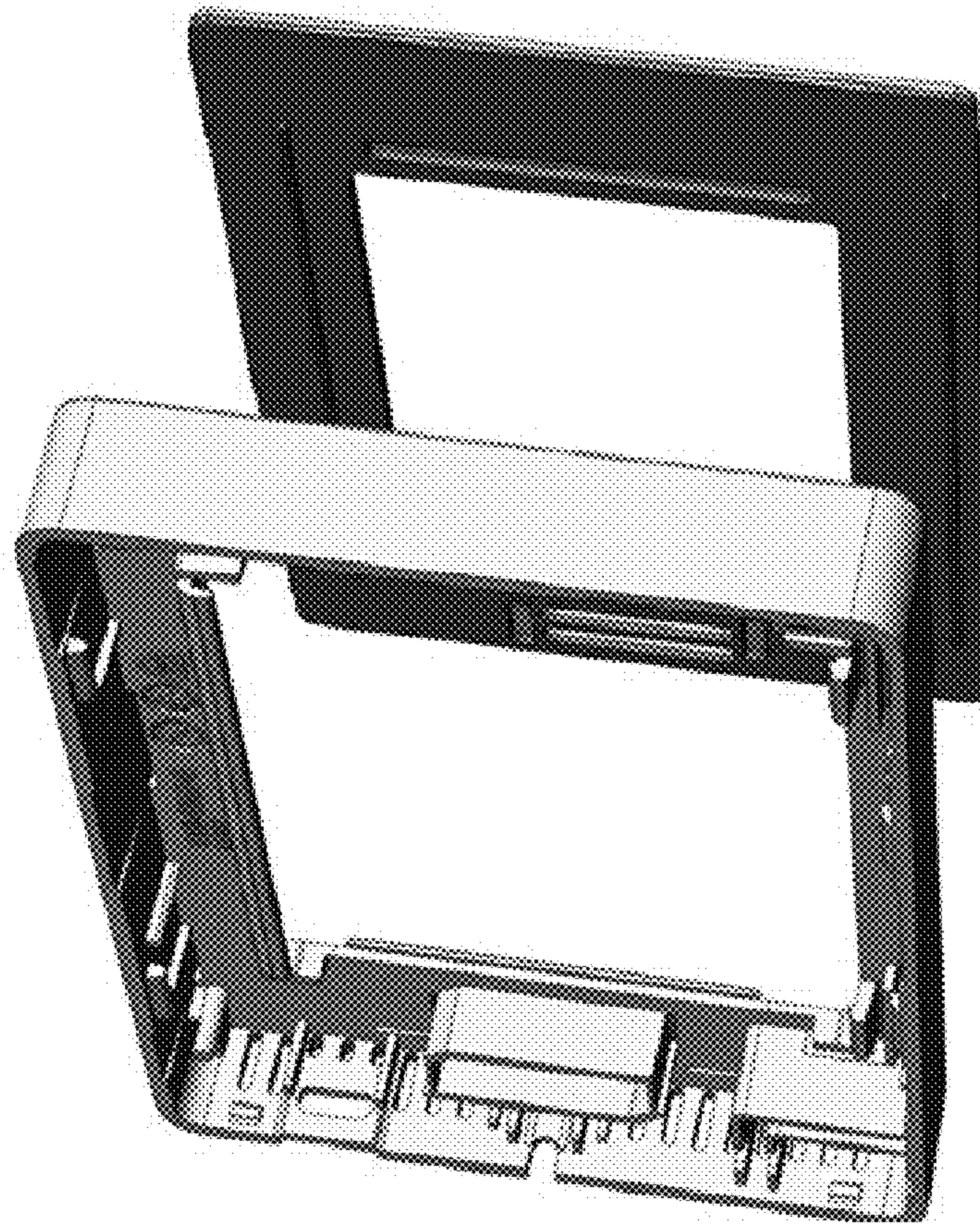


FIG. 8

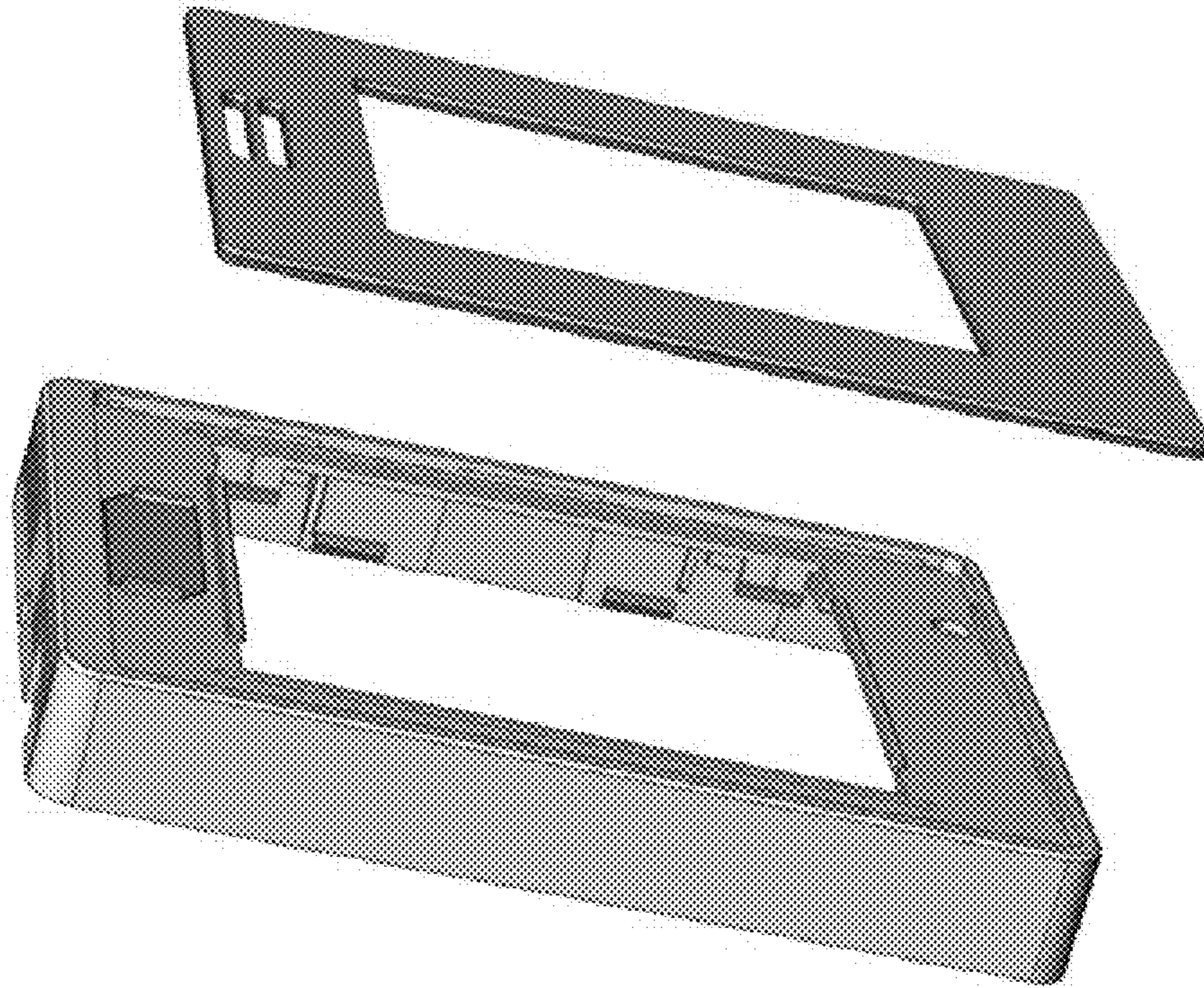


FIG. 9



FIG. 10



FIG. 11



FIG. 12



FIG. 13



FIG. 14



FIG. 15



FIG. 16



FIG. 17



FIG. 18



FIG. 19



FIG. 20



FIG. 21



FIG. 22



FIG. 23



FIG. 24



FIG. 25

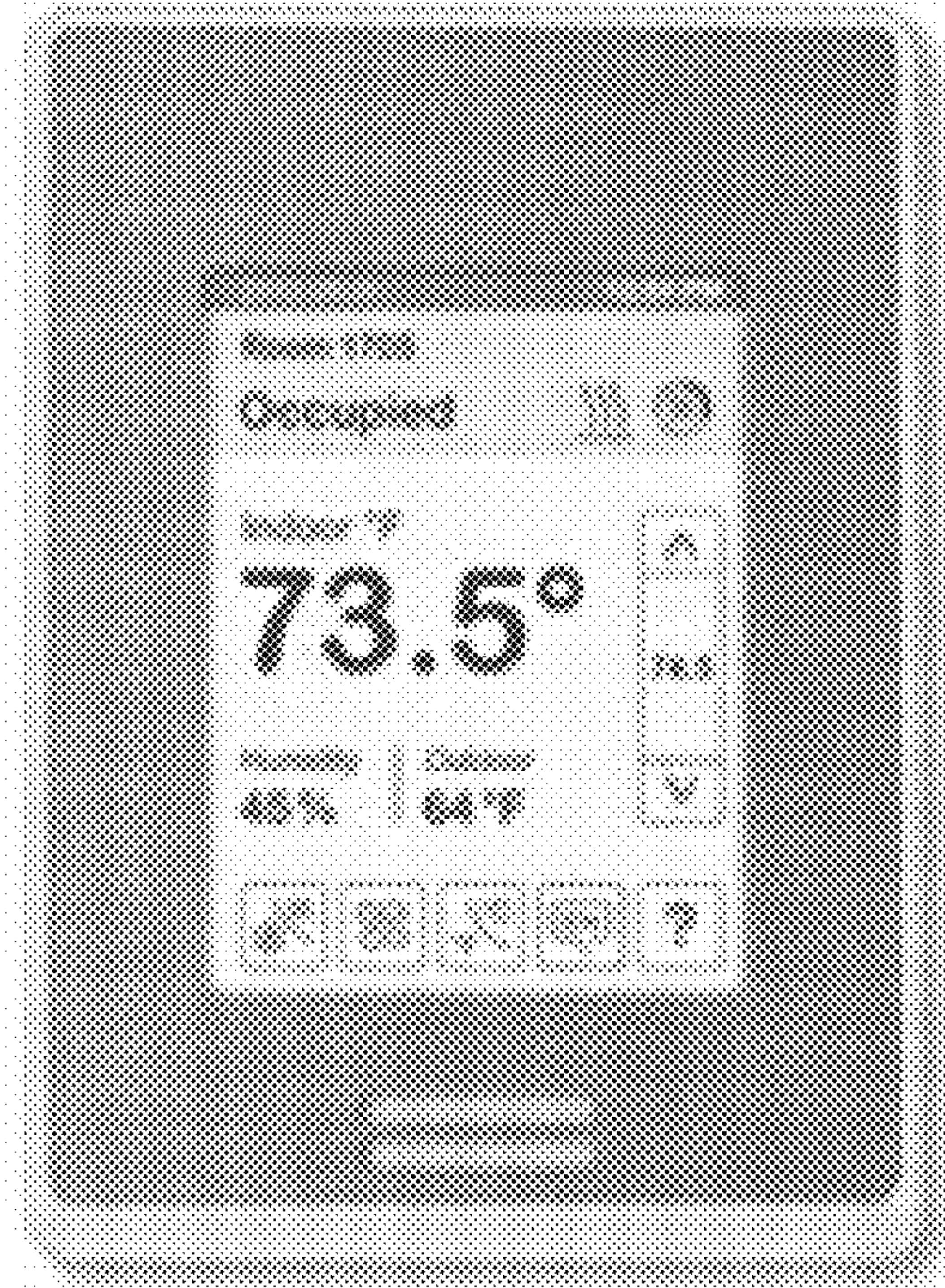


FIG. 26



FIG. 27



FIG. 28



FIG. 29

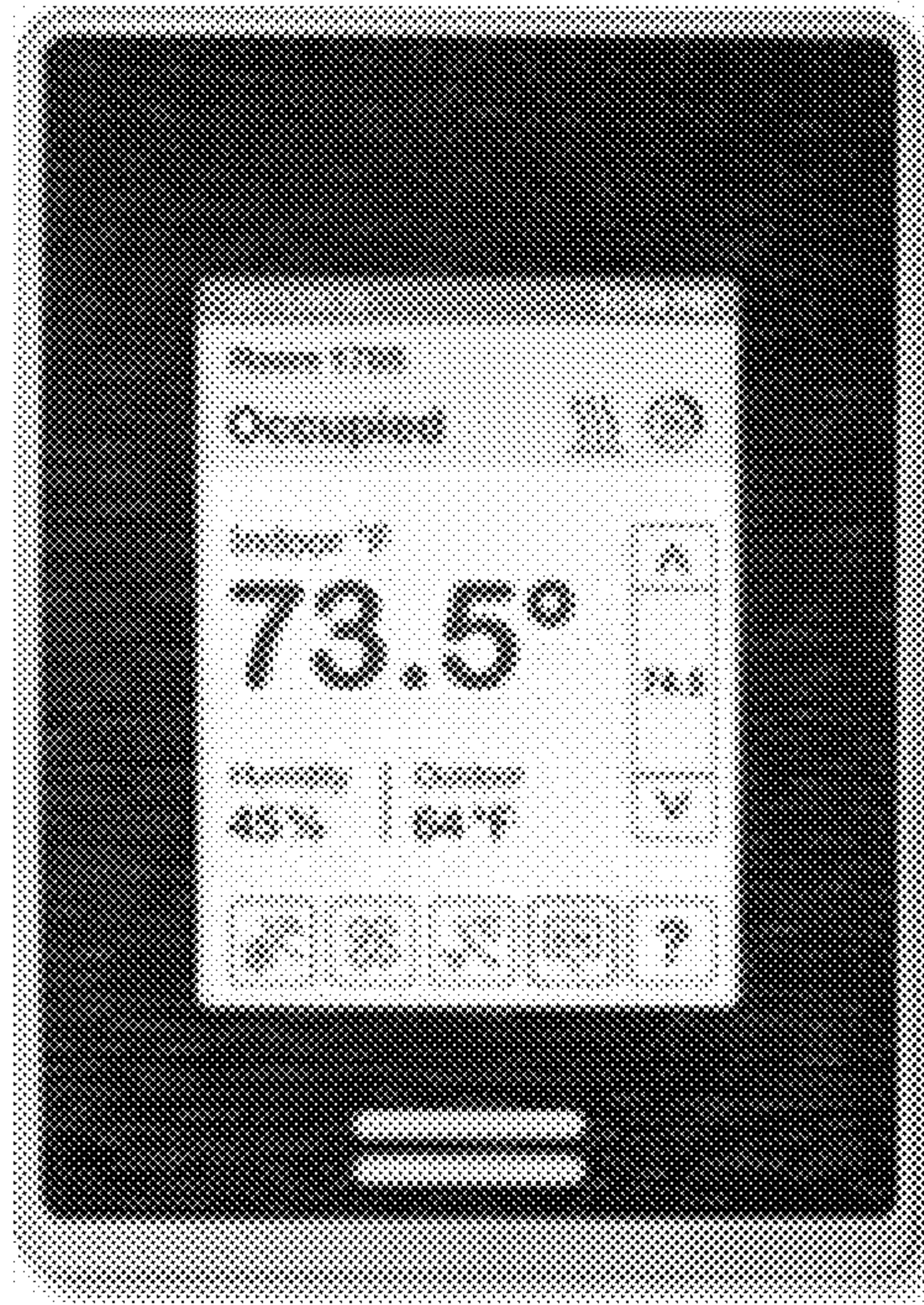


FIG. 30

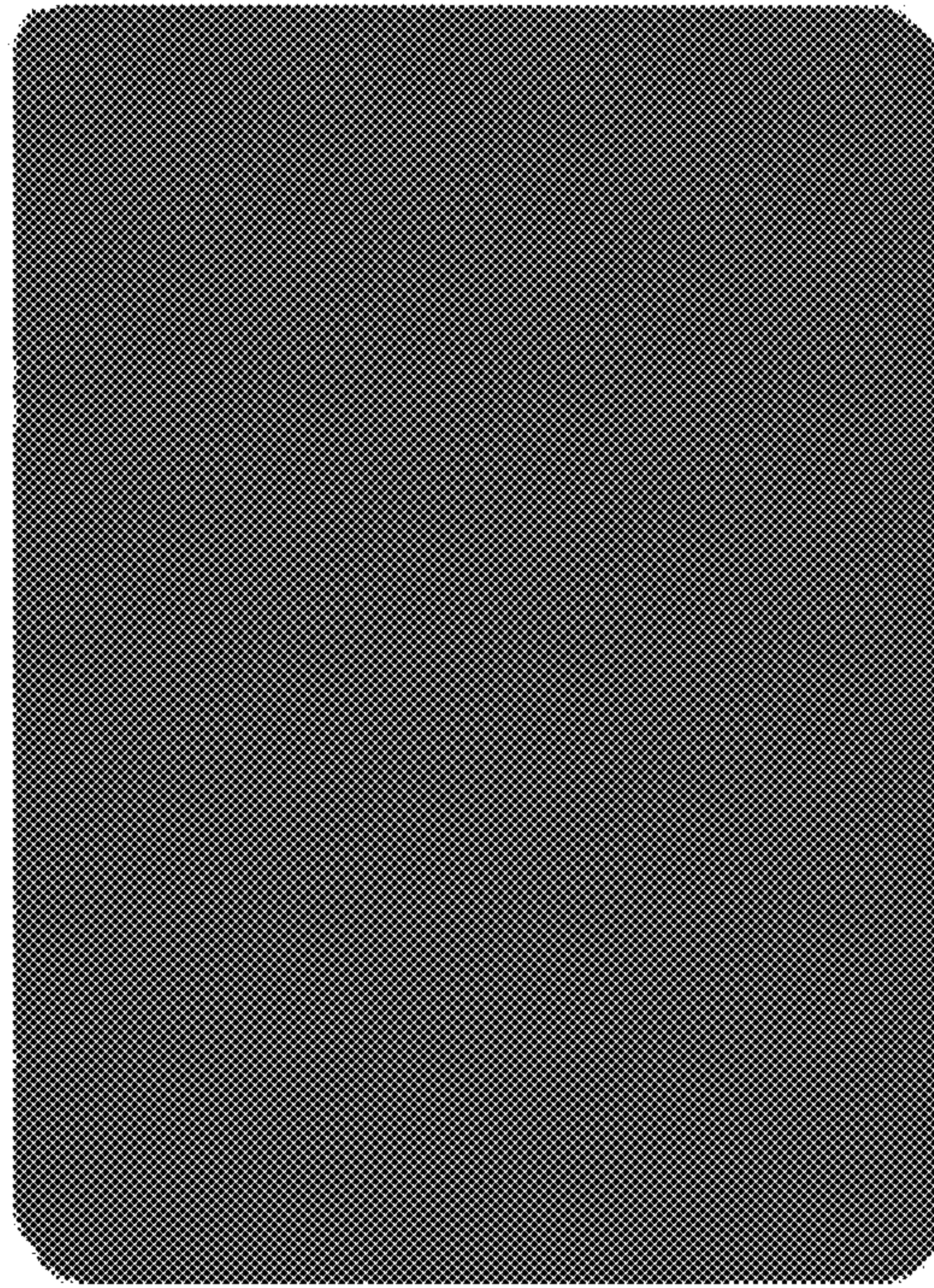


FIG. 31