



US00D746703S

(12) **United States Design Patent**
Gabrel et al.

(10) **Patent No.:** **US D746,703 S**
(45) **Date of Patent:** **** Jan. 5, 2016**

- (54) **COOKING TIMER**
- (71) Applicant: **Laurent Gabrel**, Seattle, WA (US)
- (72) Inventors: **Laurent Gabrel**, Seattle, WA (US);
Adam Valmassoi, Seattle, WA (US);
Karine Da Luz Mendez, Seattle, WA (US)
- (73) Assignee: **Laurent Gabrel**, Seattle, WA (US)
- (**) Term: **14 Years**
- (21) Appl. No.: **29/498,936**
- (22) Filed: **Aug. 8, 2014**
- (51) **LOC (10) Cl.** **10-03**
- (52) **U.S. Cl.**
USPC **D10/40**
- (58) **Field of Classification Search**
USPC D10/40, 30-39, 1-29, 122-132
CPC A61J 7/00; A61J 7/04; A61J 7/0409;
A61J 31/52; G04C 3/00; G04C 3/005; G04F
1/00; G04F 1/005; G04F 5/00; G04F 8/00;
G04F 10/00; G09F 3/16; G09F 7/00; G09F
11/23; G09F 23/00; G04G 17/00; G04G
17/08; A41D 20/00
See application file for complete search history.

- (56) **References Cited**
U.S. PATENT DOCUMENTS
3,996,879 A * 12/1976 Walton G09F 7/00
116/308
4,951,596 A * 8/1990 Wallace, Jr. G09F 3/16
116/308
4,993,004 A * 2/1991 Loizeaux G04F 10/00
368/107
5,260,914 A * 11/1993 Roberts G09F 11/23

- D355,132 S * 2/1995 Williams D10/31
116/308
- 5,838,642 A * 11/1998 Tully A41D 20/00
224/171
- D404,317 S * 1/1999 Cameron D10/30
- 7,061,832 B1 * 6/2006 Lansing A61J 7/0409
368/10
- D525,538 S * 7/2006 Oas D10/32
- D560,123 S * 1/2008 Bhavnani D10/31
- 7,383,650 B2 * 6/2008 Duesler G06F 23/00
40/310
- D592,532 S * 5/2009 Corcoran D10/40
- D668,972 S * 10/2012 Solly D10/40
- 8,369,187 B2 * 2/2013 Artola Godoy A61J 7/0409
340/540
- 2001/0036129 A1 * 11/2001 Carr G04F 1/00
368/109

* cited by examiner

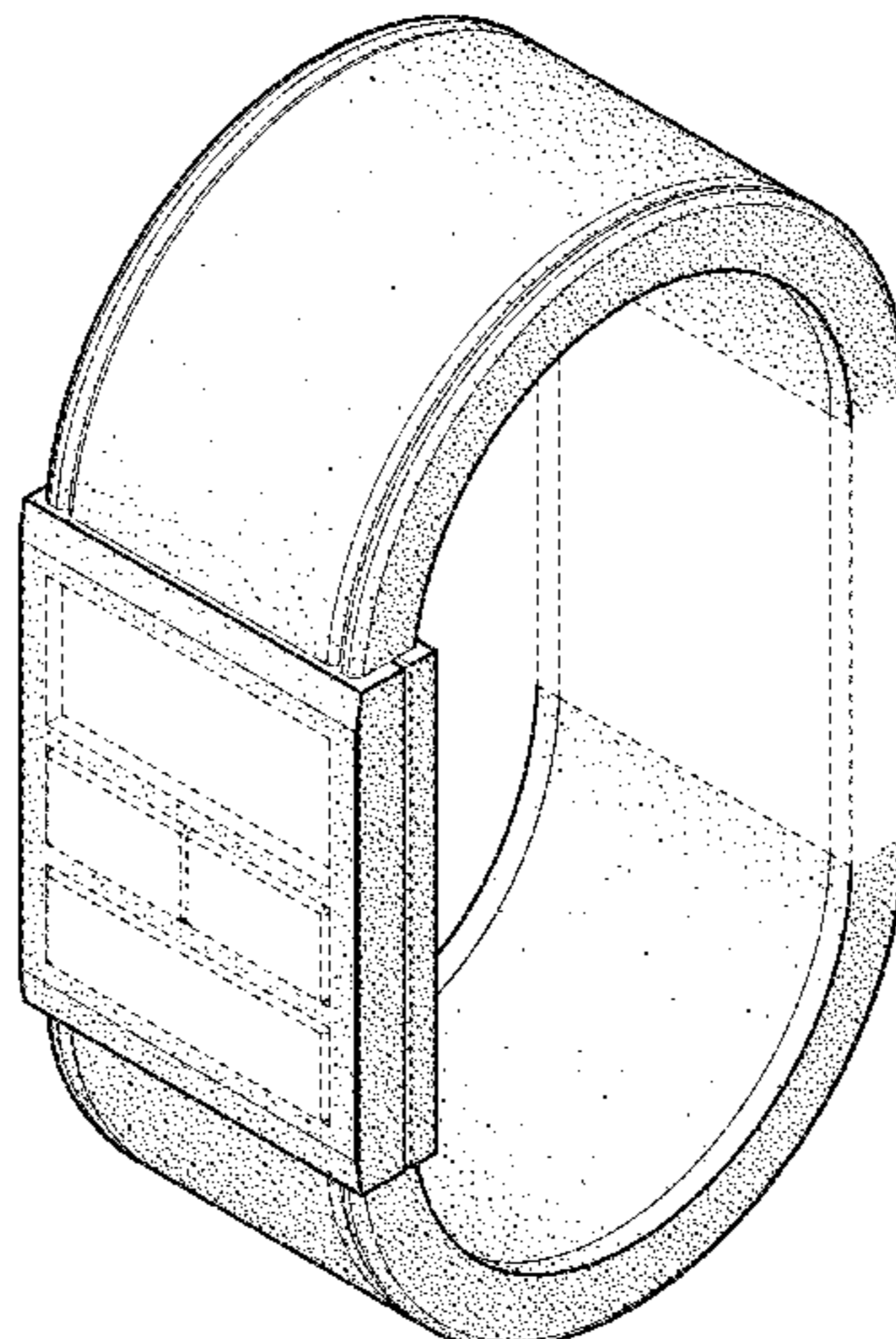
Primary Examiner — Martie K Holtje
(74) *Attorney, Agent, or Firm* — Seed IP Law Group PLLC

(57) **CLAIM**
The ornamental design for a cooking timer, as shown and described.

DESCRIPTION

FIG. 1 is a front perspective view of a cooking timer showing our new design.
FIG. 2 is a rear perspective view thereof.
FIG. 3 is a right side elevation view thereof.
FIG. 4 is a left side elevation view thereof.
FIG. 5 is a front elevation view thereof.
FIG. 6 is a rear elevation view thereof.
FIG. 7 is a top plan view thereof; and,
FIG. 8 is a bottom plan view thereof.
The broken lines in the figures form no part of the claimed design.

1 Claim, 4 Drawing Sheets



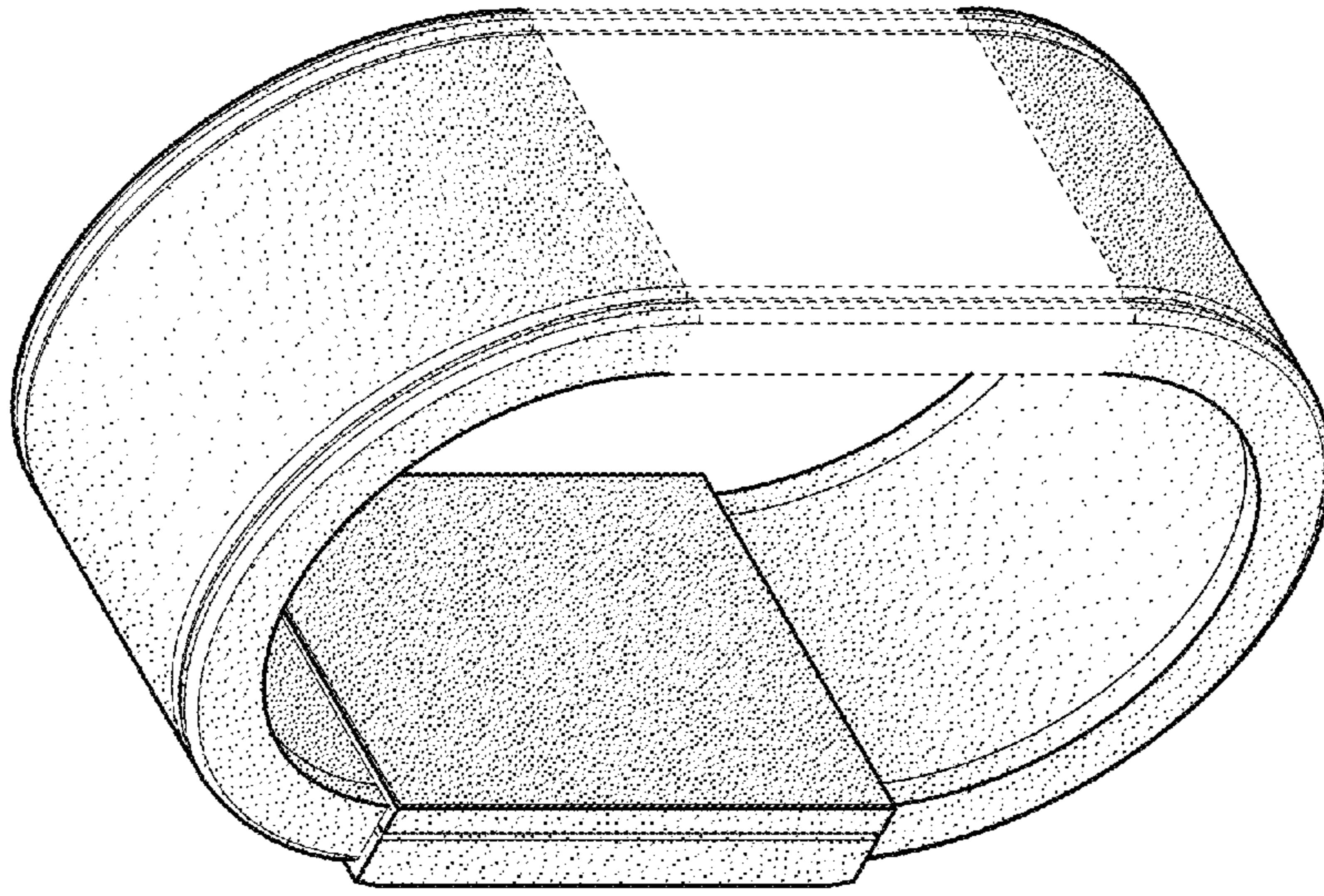


FIG. 2

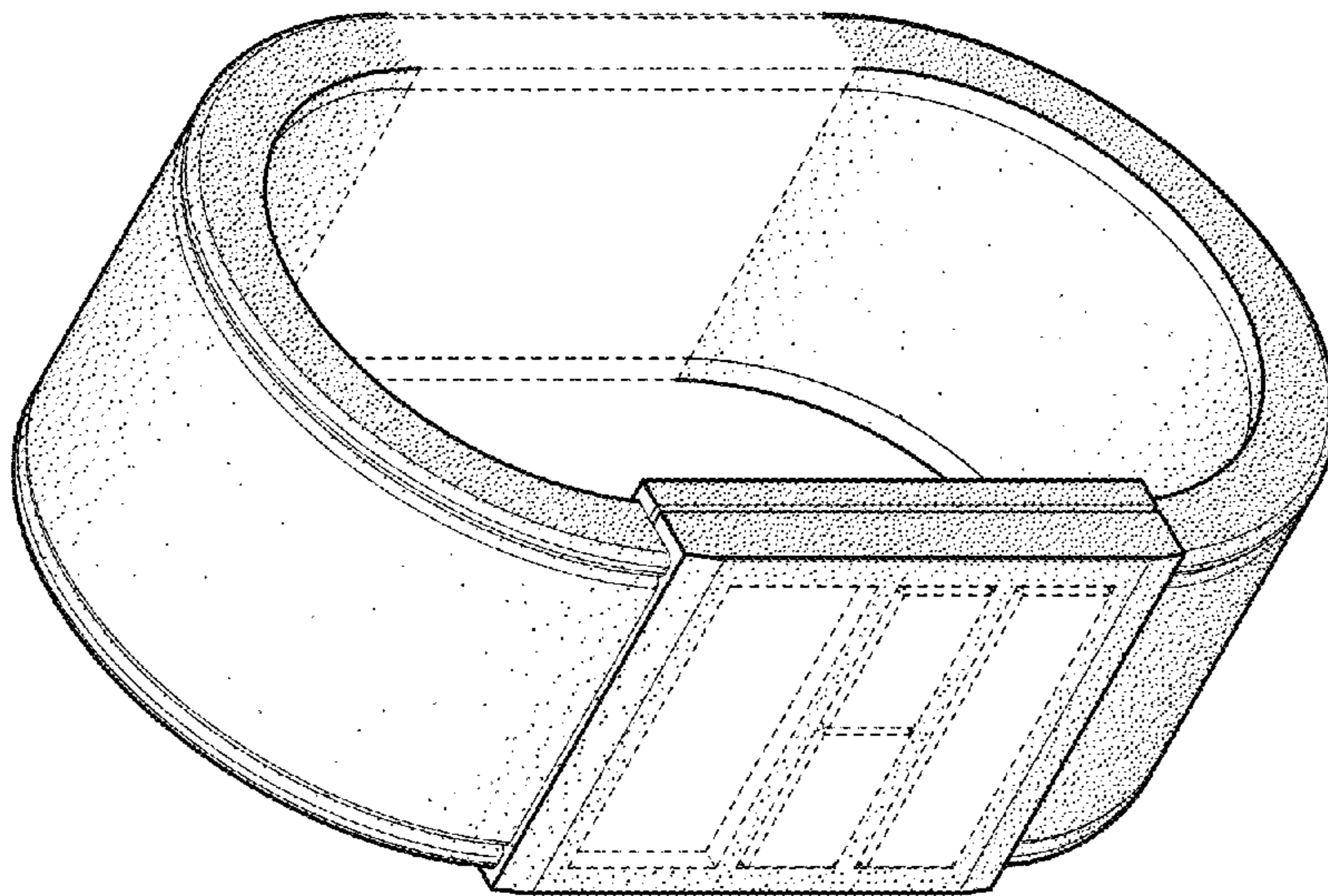


FIG. 1

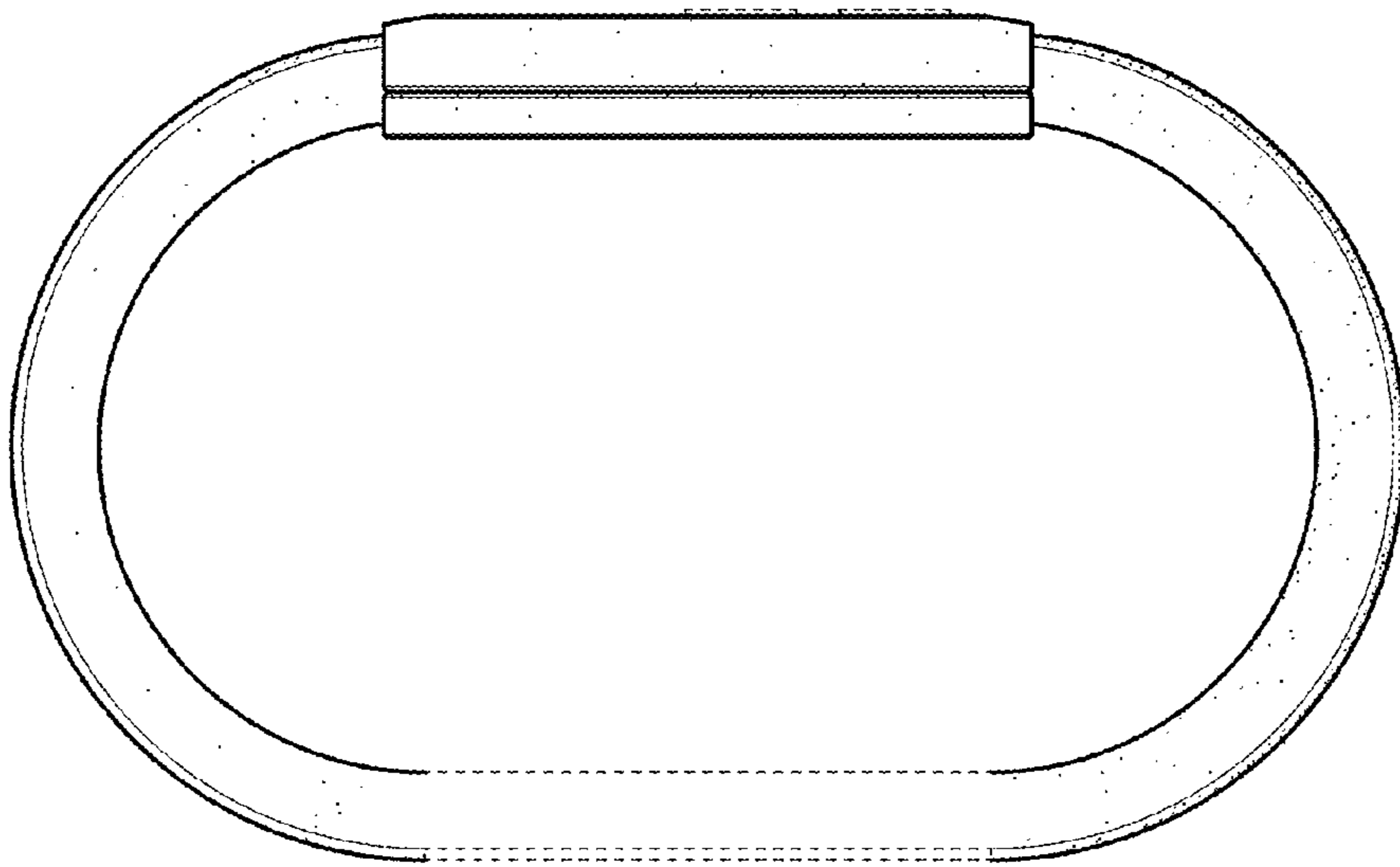


FIG. 4

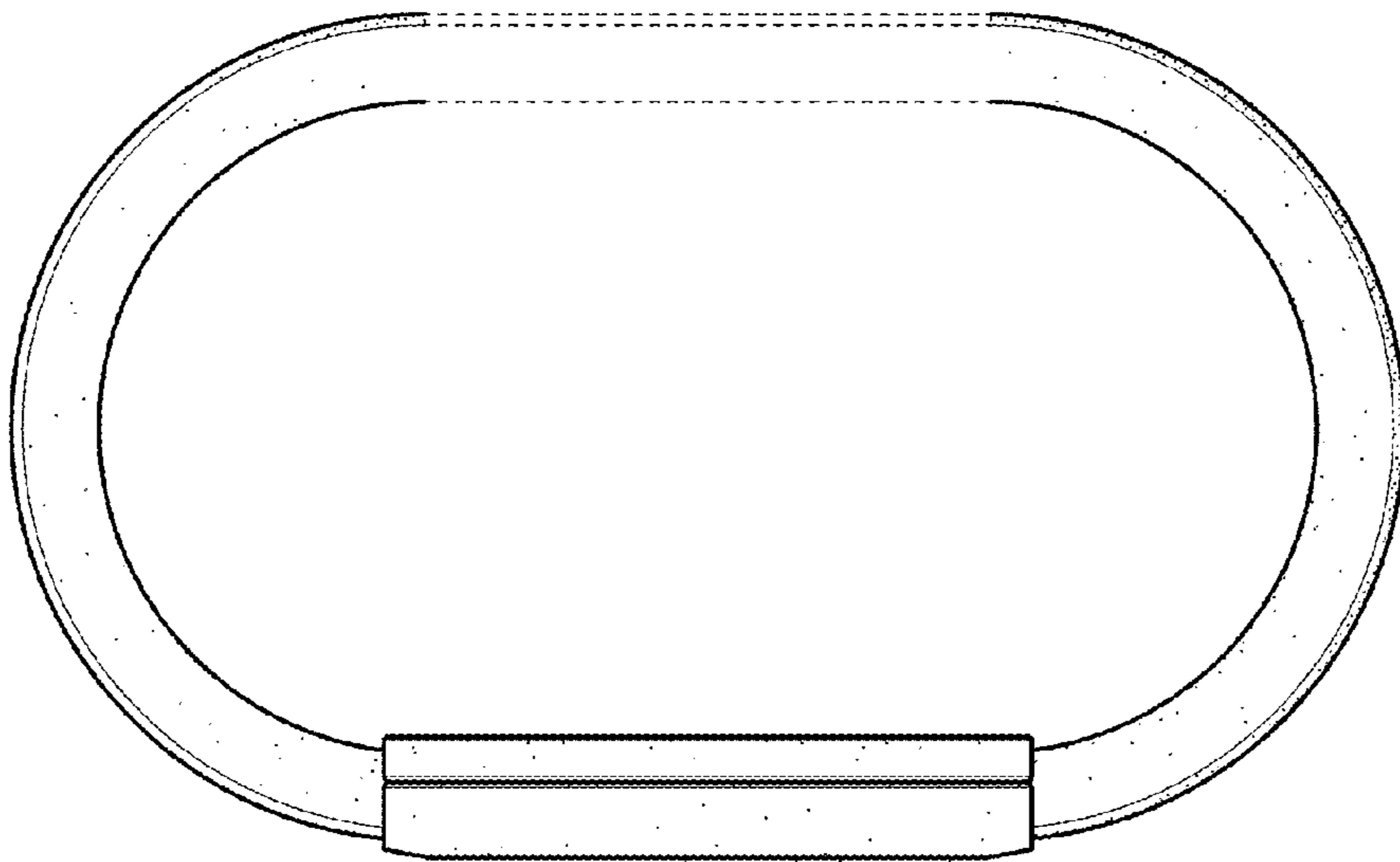


FIG. 3

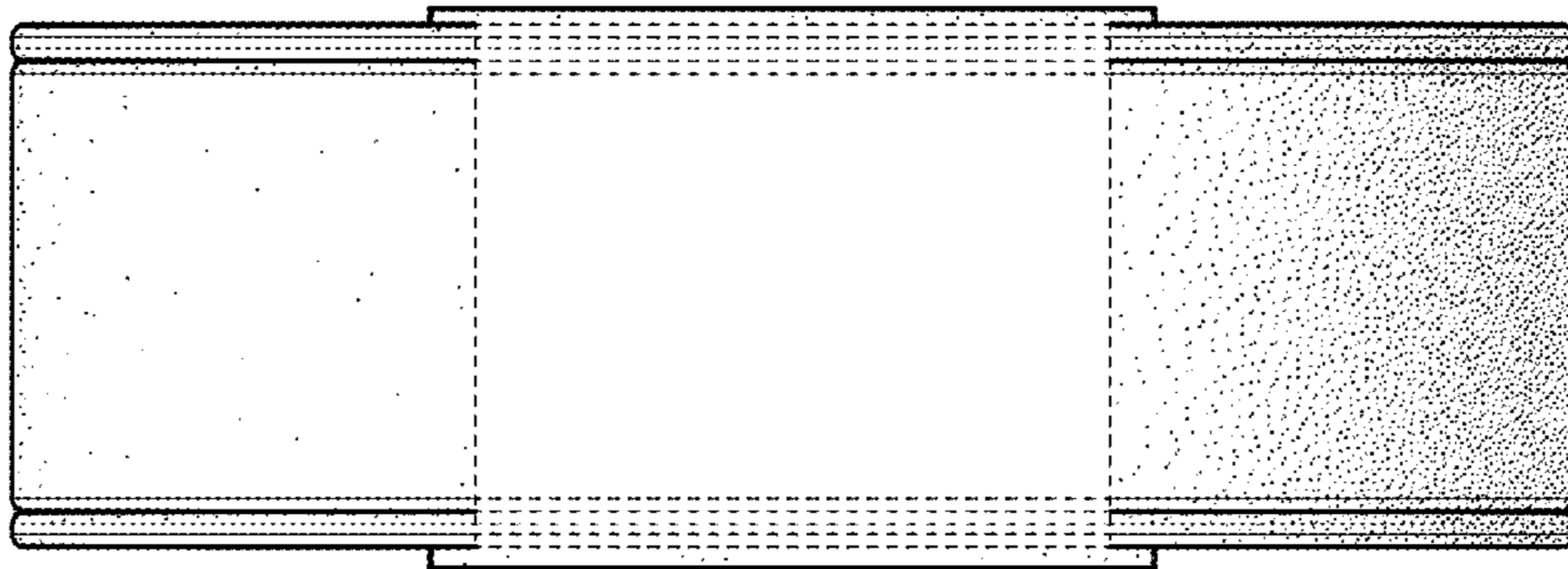


FIG. 5

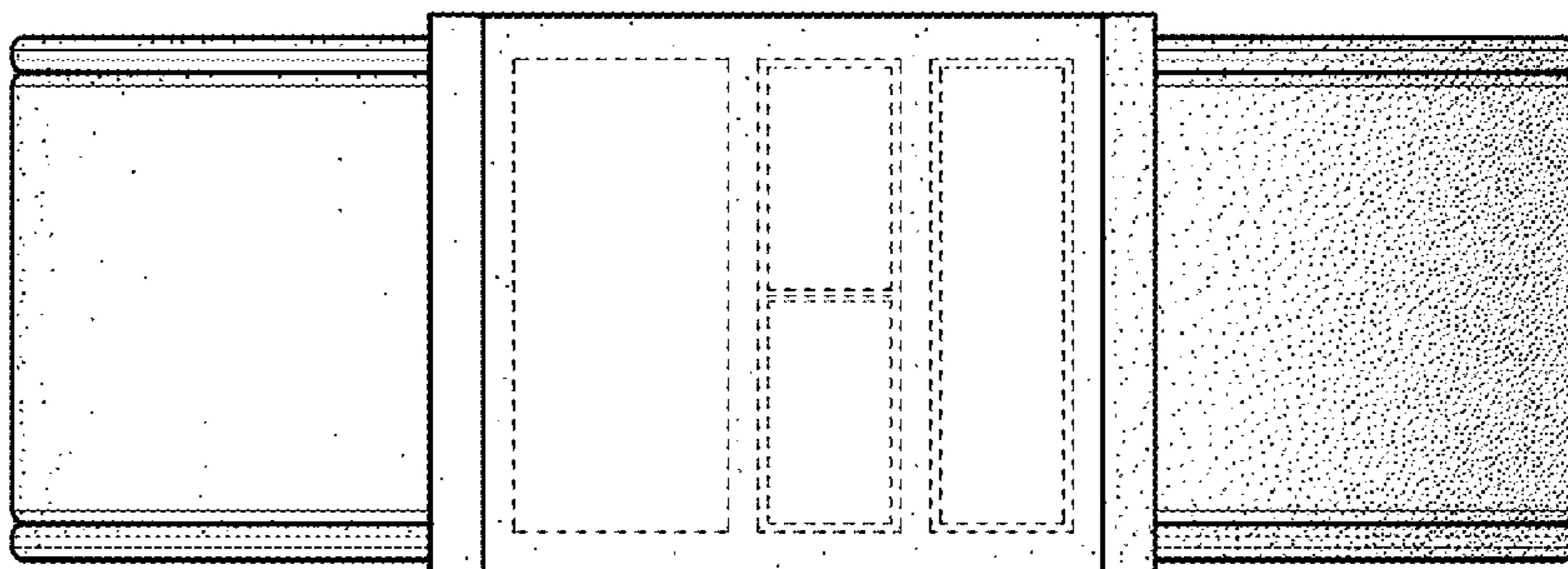


FIG. 6

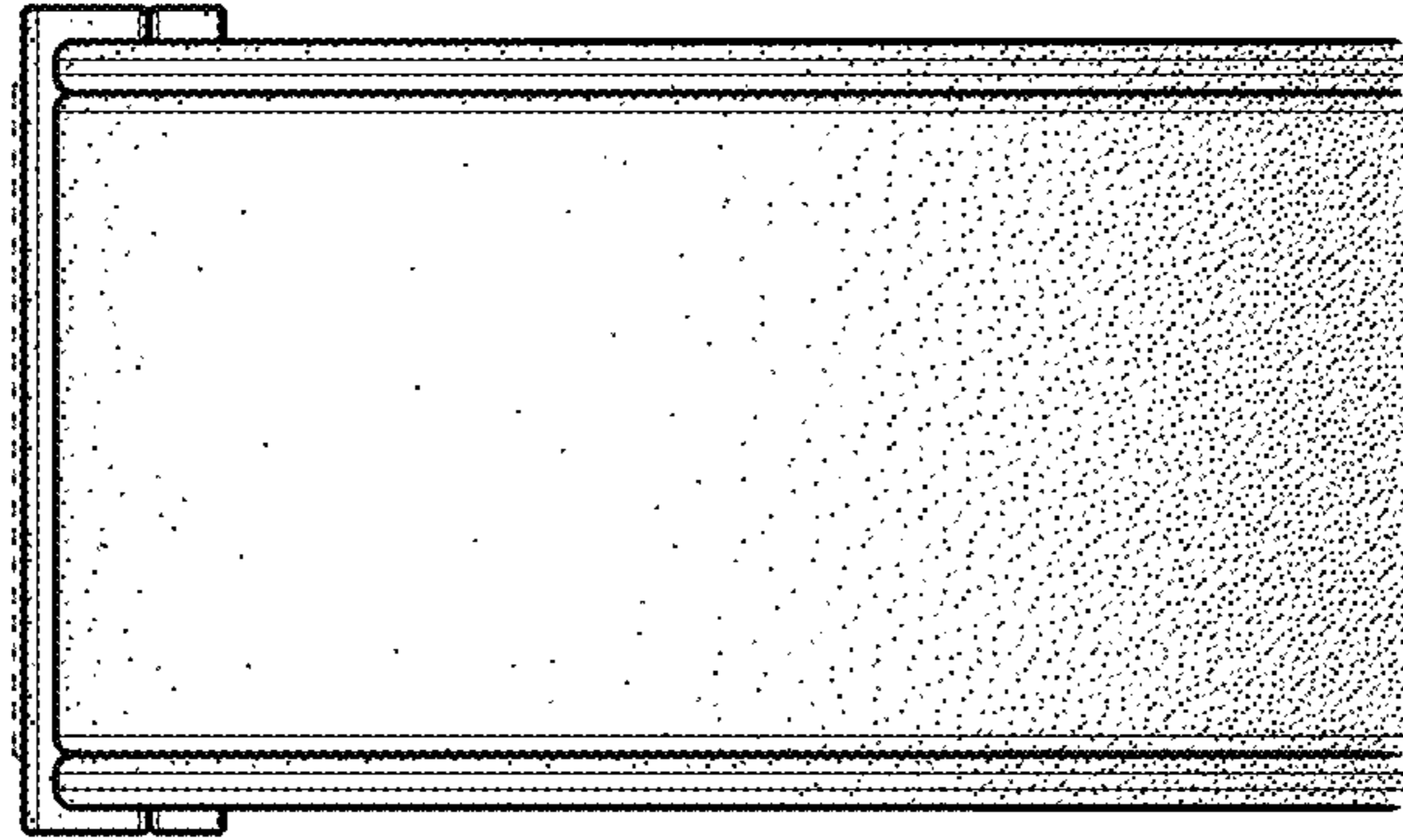


FIG. 8

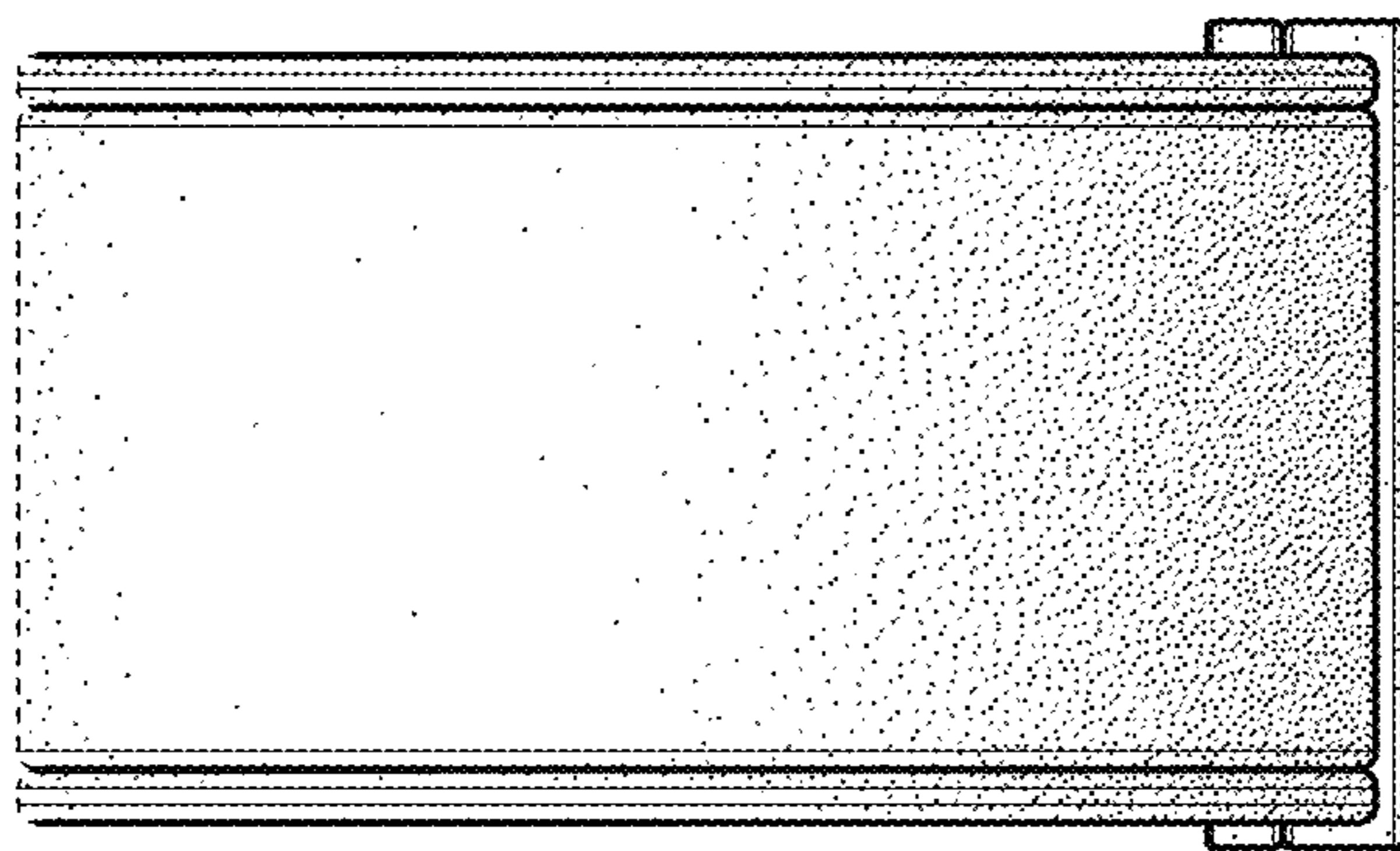


FIG. 7