



US00D746702S

(12) **United States Design Patent**
Galli

(10) **Patent No.:** **US D746,702 S**
(45) **Date of Patent:** **** Jan. 5, 2016**

(54) **WATCH CASING AND A PORTION OF A STRAP**

(71) Applicant: **Timex Group USA, Inc.**, Middlebury, CT (US)

(72) Inventor: **Giorgio Galli**, Milan (IT)

(73) Assignee: **Timex Group USA, Inc.**, Middlebury, CT (US)

(**) Term: **14 Years**

(21) Appl. No.: **29/490,316**

(22) Filed: **May 8, 2014**

(51) **LOC (10) Cl.** **10-02**

(52) **U.S. Cl.**
USPC **D10/30; D10/38; D14/344**

(58) **Field of Classification Search**
USPC D10/30-39, 1-29, 122-132; D11/3; D14/344, 138 R

CPC G04B 37/00; G04B 37/0008; G04C 3/00; G04C 3/001; G04C 3/002; G04G 9/00; G04G 9/0017; G04G 9/0058; G04G 9/04; G04G 9/06; G04G 9/107; G04G 17/00; G04G 17/005; G05G 17/08

See application file for complete search history.

(56) **References Cited**

U.S. PATENT DOCUMENTS

D266,831 S * 11/1982 Iida D10/38
D304,305 S * 10/1989 Morishima D10/38
D396,416 S * 7/1998 Sugita et al. D10/30

D417,159 S * 11/1999 Sugisawa D10/30
D448,680 S * 10/2001 Kubo D10/30
D584,170 S * 1/2009 Morrison D10/32
D621,808 S * 8/2010 Kim D14/138 R
D636,687 S * 4/2011 Morrison D10/39
D660,726 S * 5/2012 Register et al. D10/38
8,301,211 B2 * 10/2012 Lee et al. 455/575.6
8,380,258 B2 * 2/2013 Kim et al. 455/575.1
2009/0156255 A1 * 6/2009 Shin et al. 455/558
2009/0201767 A1 * 8/2009 Caldwell 368/10

* cited by examiner

Primary Examiner — Martie K Holtje

(74) *Attorney, Agent, or Firm* — Carmody Torrance Sandak & Hennessey LLP

(57) **CLAIM**

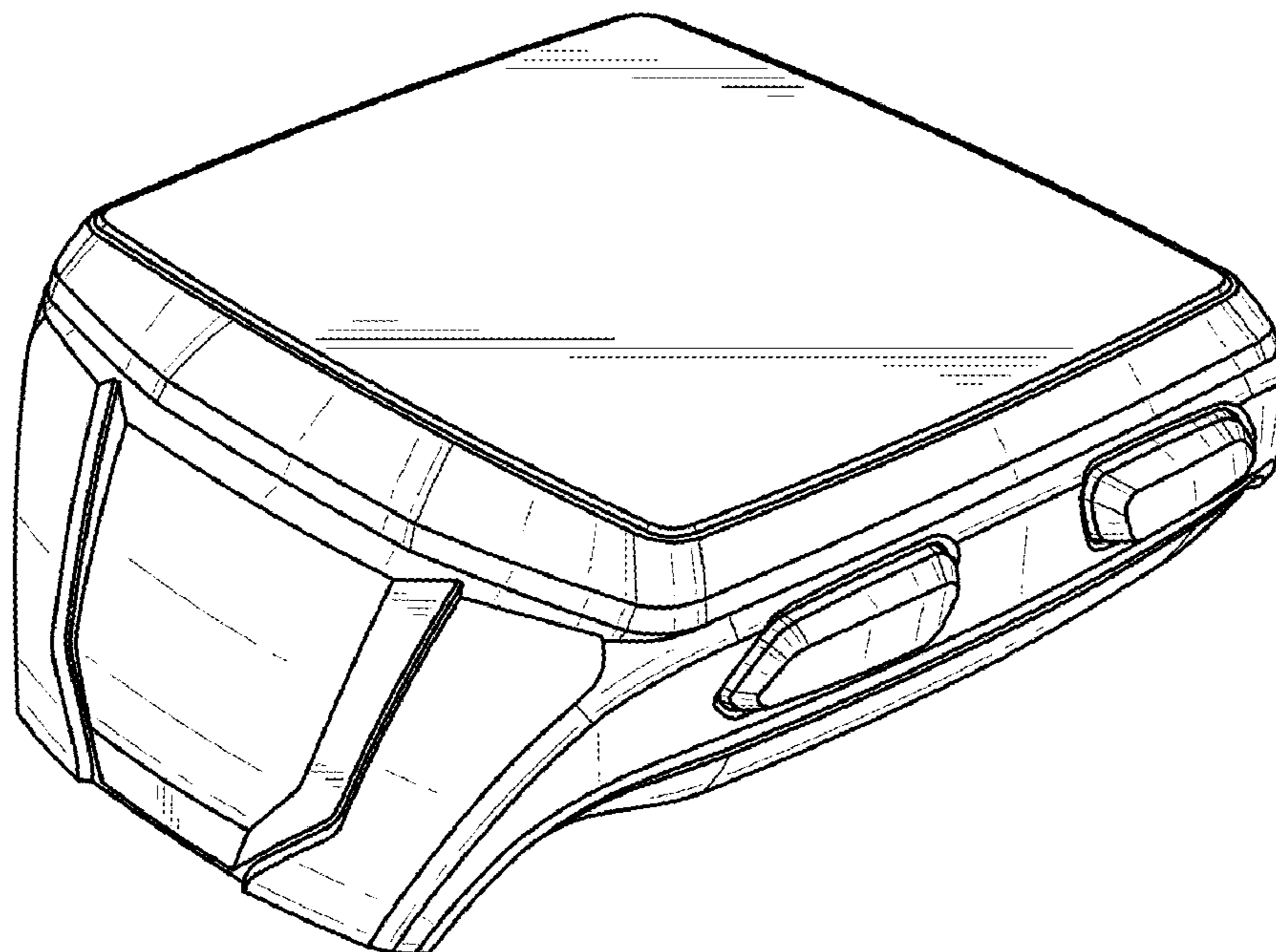
The ornamental design for a watch casing and a portion of a strap, as shown and described.

DESCRIPTION

FIG. 1 is a perspective view of a watch casing and a portion of a strap showing my new design;
FIG. 2 is a right side view thereof;
FIG. 3 is a left side view thereof;
FIG. 4 is a first end view thereof;
FIG. 5 is a second end view thereof;
FIG. 6 is a top plan view thereof; and,
FIG. 7 is a bottom plan view thereof.

The broken lines indicated in the figures are boundary lines wherein the portions of the article within the boundary lines form no part of the claimed design.

1 Claim, 2 Drawing Sheets



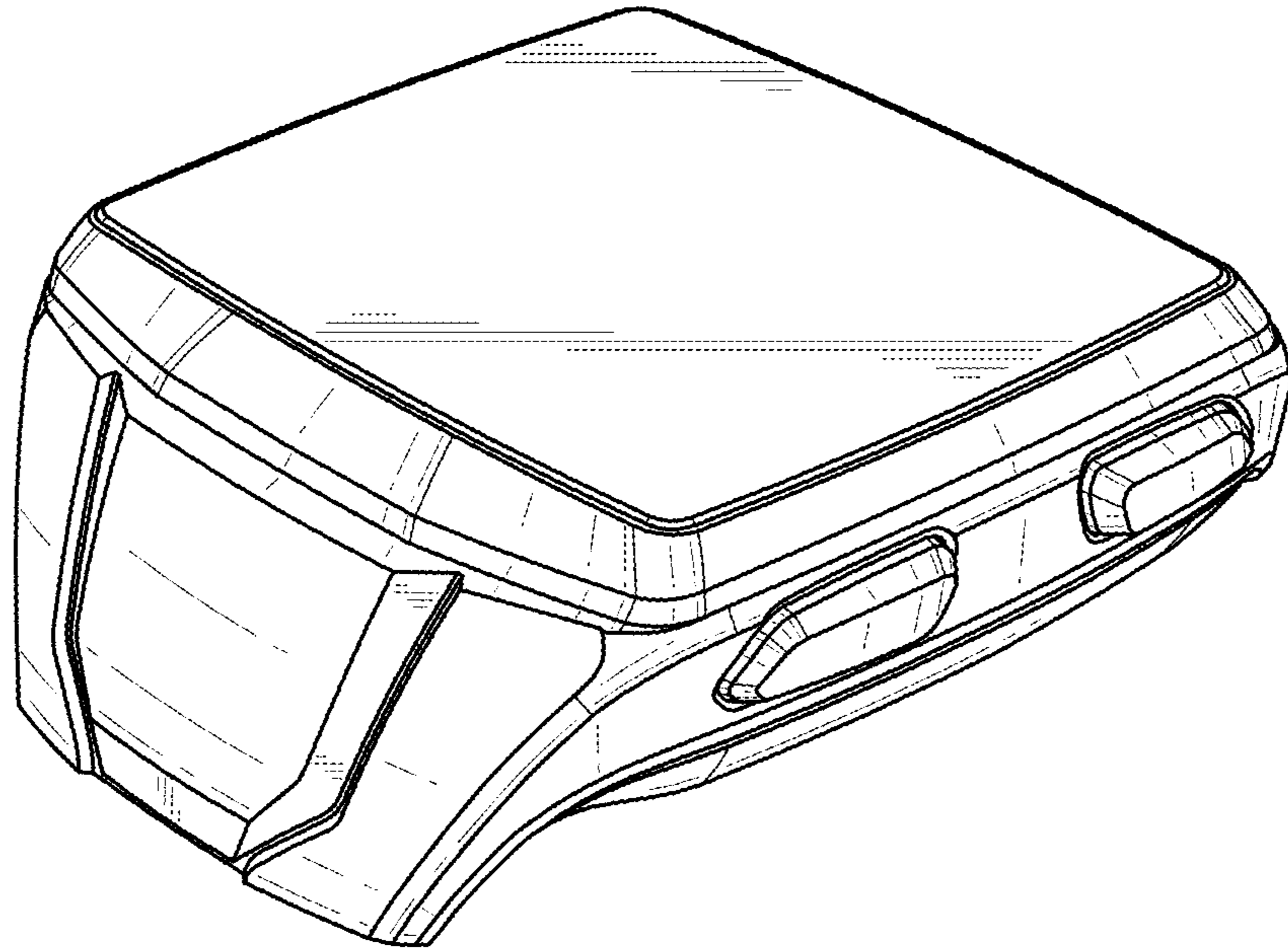


FIG. 1

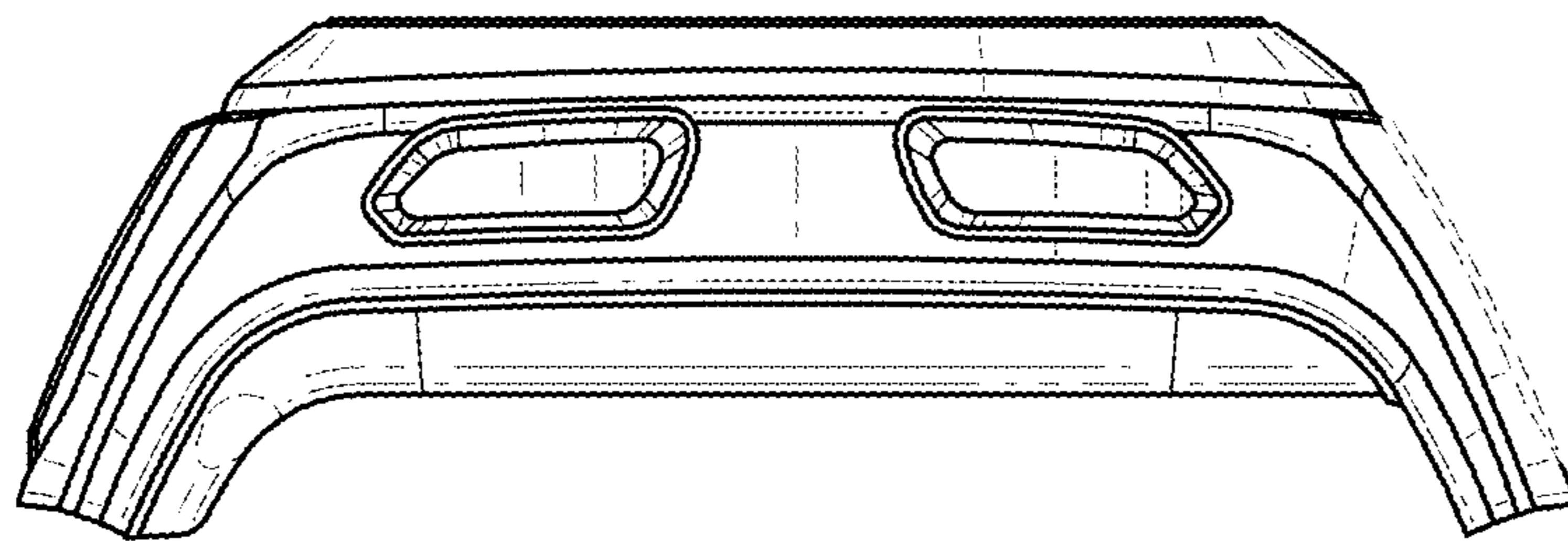


FIG. 2

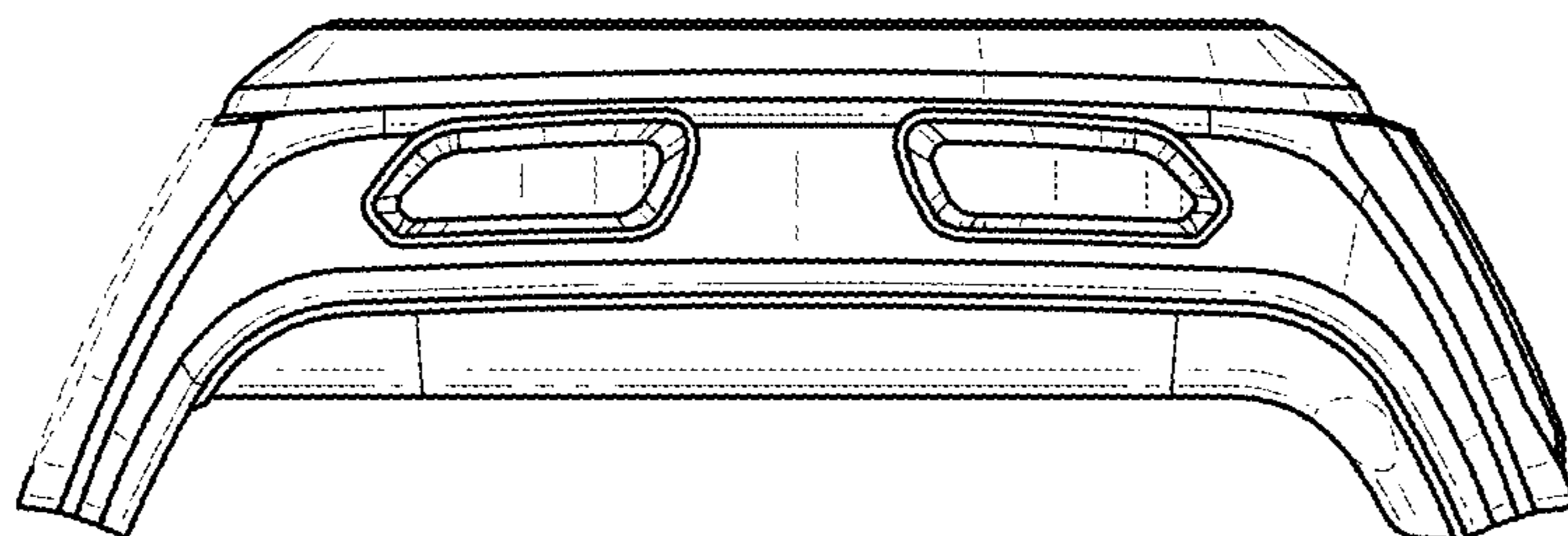


FIG. 3

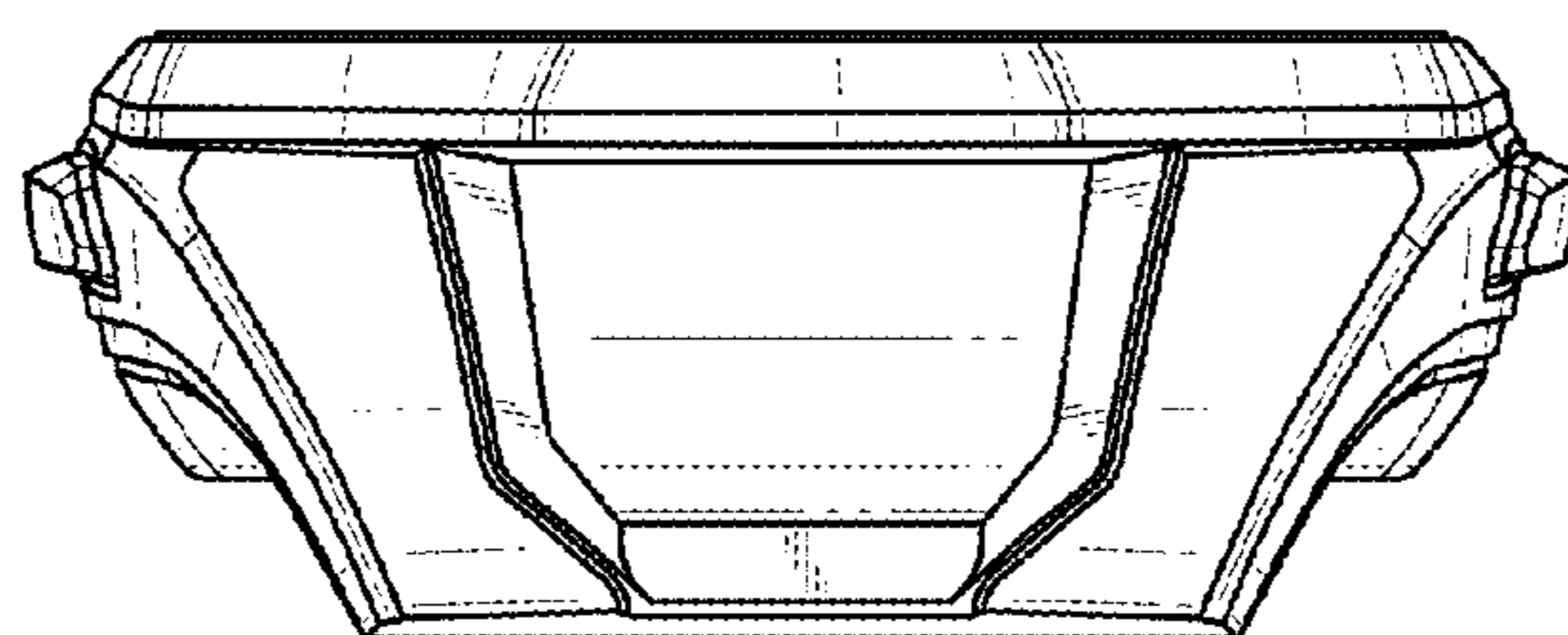


FIG. 4

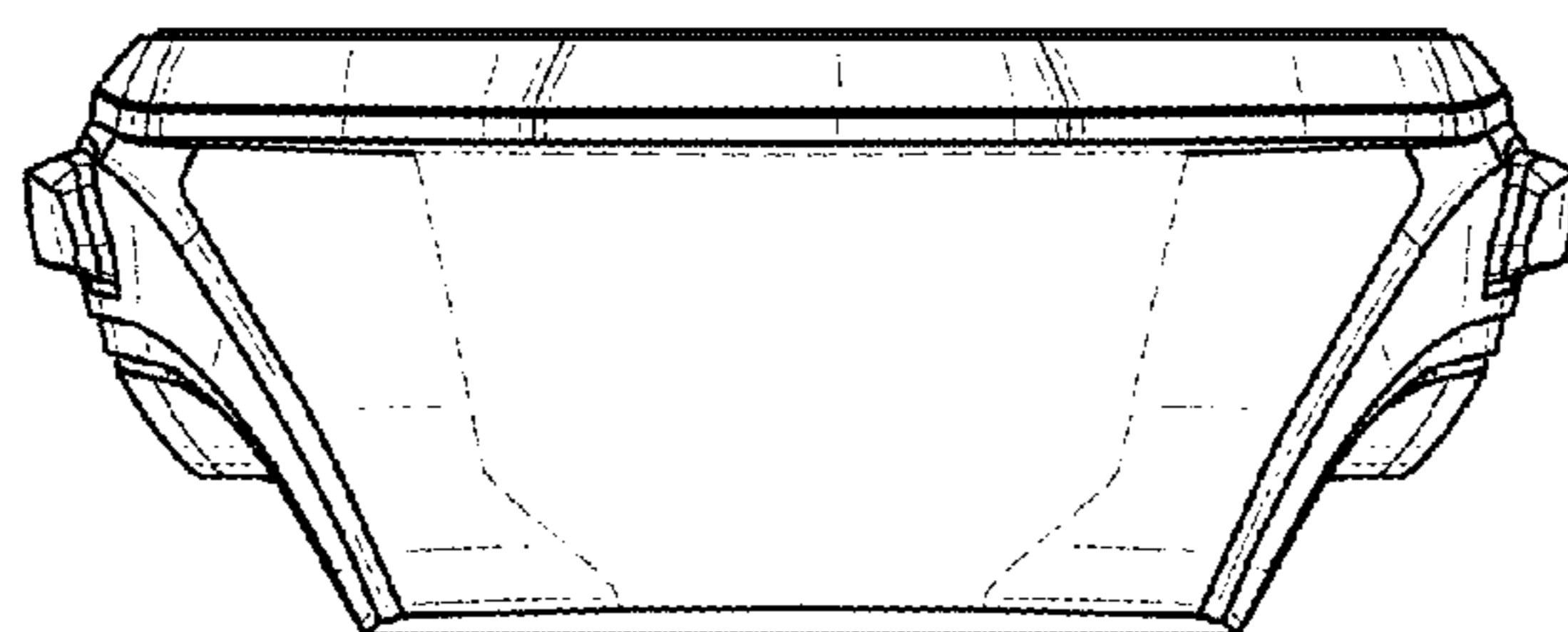


FIG. 5

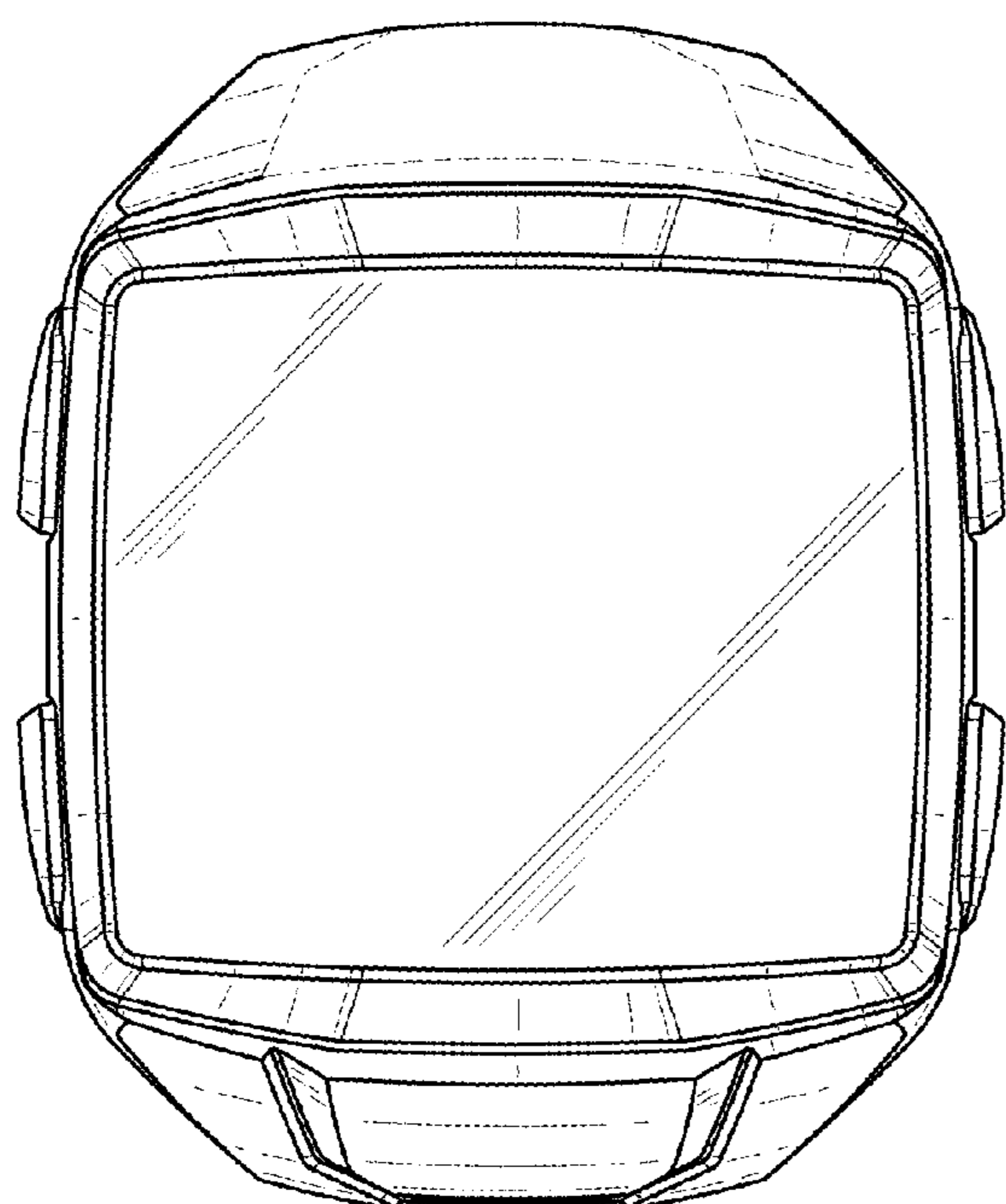


FIG. 6

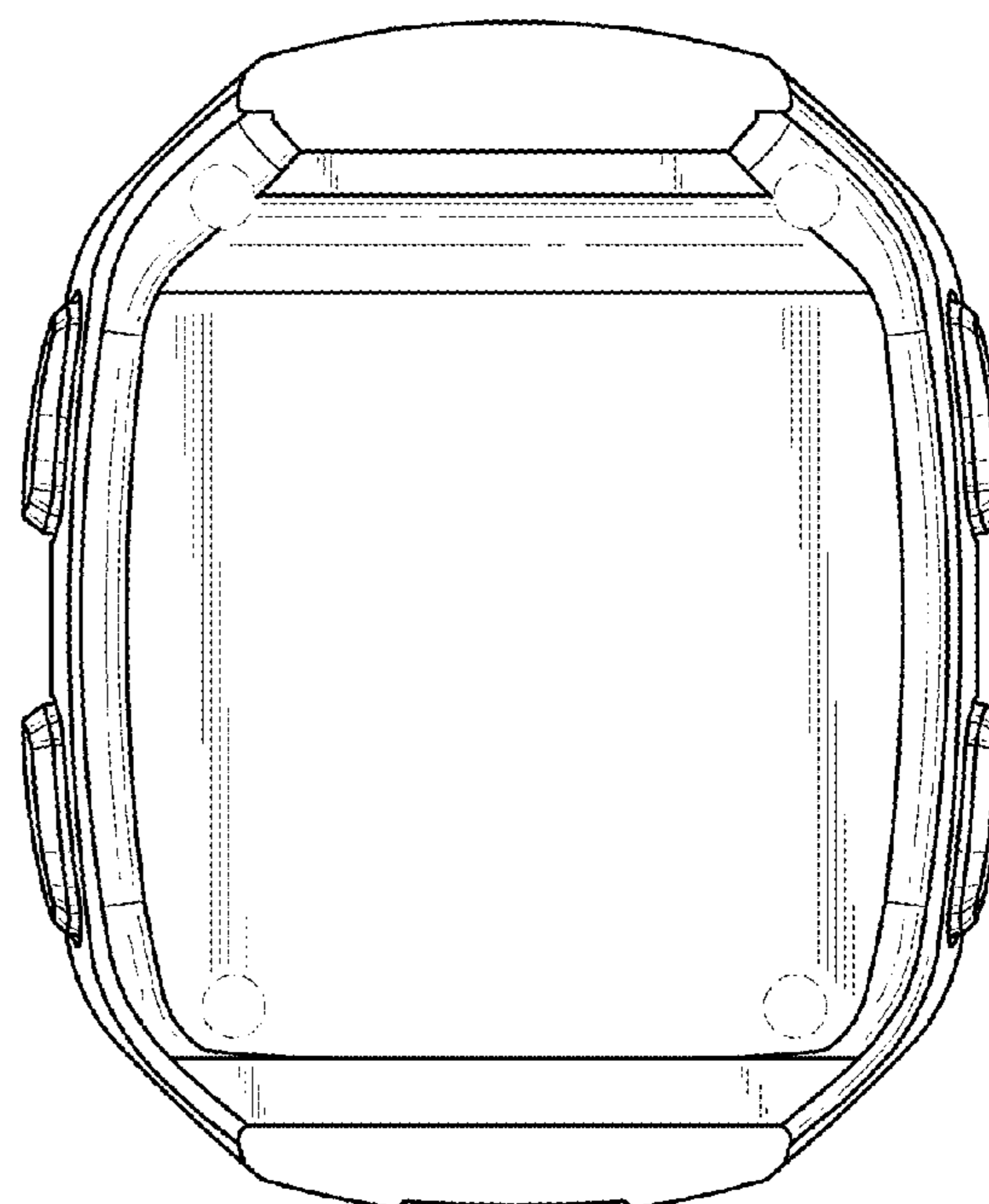


FIG. 7