



US00D746701S

(12) **United States Design Patent**
Pape

(10) **Patent No.:** **US D746,701 S**

(45) **Date of Patent:** **** Jan. 5, 2016**

(54) **CONTAINER**

(71) Applicant: **Bryan Pape**, Seattle, WA (US)

(72) Inventor: **Bryan Pape**, Seattle, WA (US)

(**) Term: **14 Years**

(21) Appl. No.: **29/499,451**

(22) Filed: **Aug. 14, 2014**

(51) **LOC (10) Cl.** **09-01**

(52) **U.S. Cl.**
USPC **D9/772**

(58) **Field of Classification Search**

USPC D9/434, 435, 500, 502, 516, 530, 537,
D9/539, 542, 549, 763-783; 215/381-385;
220/660, 662, 669
CPC B65D 1/00; B65D 1/02; B65D 1/12;
B65D 1/14; B65D 1/40; B65D 1/44; B65D
1/023; B65D 1/0223; B65D 1/165; B65D
1/238; B65D 1/246; B65D 1/253; B65D 7/04;
B65D 21/0209; B65D 21/0233; B65D 25/00;
B65D 25/28; B65D 41/0457; B65D 41/17;
B65D 53/06; B65D 75/56; B65D 79/005;
B65D 2501/0036; B65D 2543/00064; B65D
2543/00074; B65D 2543/00083; B65D
2543/00092; B65D 2543/00101; B65D
2543/00111

See application file for complete search history.

(56) **References Cited**

U.S. PATENT DOCUMENTS

D605,060	S	*	12/2009	Reimer	D9/766
D659,007	S		5/2012	Pape		
D671,843	S	*	12/2012	Plosky et al.	D9/773
D698,668	S	*	2/2014	Vaughn	D9/772
D713,268	S	*	9/2014	Jones et al.	D9/772
D723,393	S	*	3/2015	Belafonte et al.	D9/772

* cited by examiner

Primary Examiner — Keli L Hill

(74) *Attorney, Agent, or Firm* — QuickPatents; Kevin Prince

(57) **CLAIM**

I claim the ornamental design for a container, as shown and described.

DESCRIPTION

FIG. 1 is a perspective view of a container, showing my new design;

FIG. 2 is a front elevational view thereof;

FIG. 3 is a rear elevational view thereof;

FIG. 4 is a right-side elevational view thereof;

FIG. 5 is a left-side elevational view thereof;

FIG. 6 is a top plan view thereof; and,

FIG. 7 is a bottom plan view thereof.

The broken lines showing a logo in the figures and broken lines showing internal portions of the design in FIGS. 6 and 7 depict environmental matter and form no part of the claimed design.

1 Claim, 4 Drawing Sheets

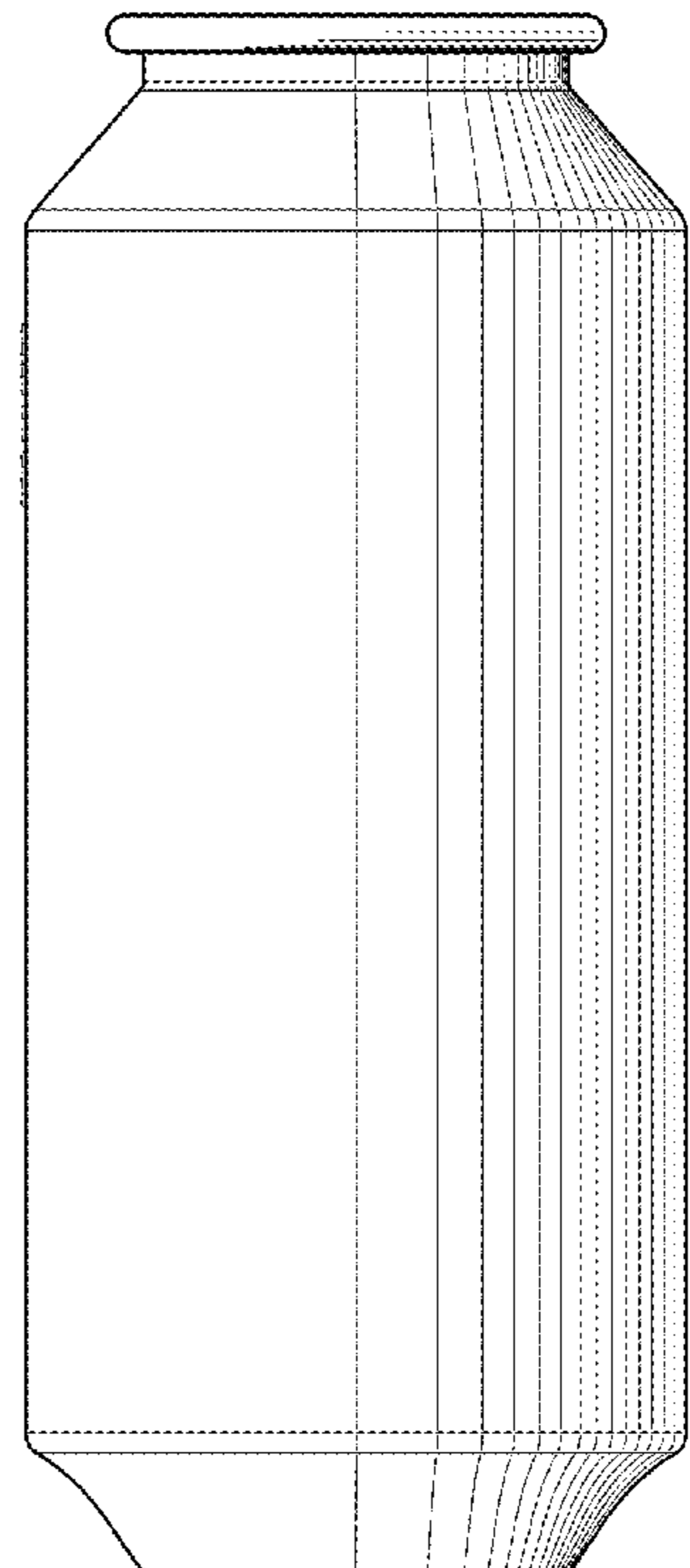




FIG. 1

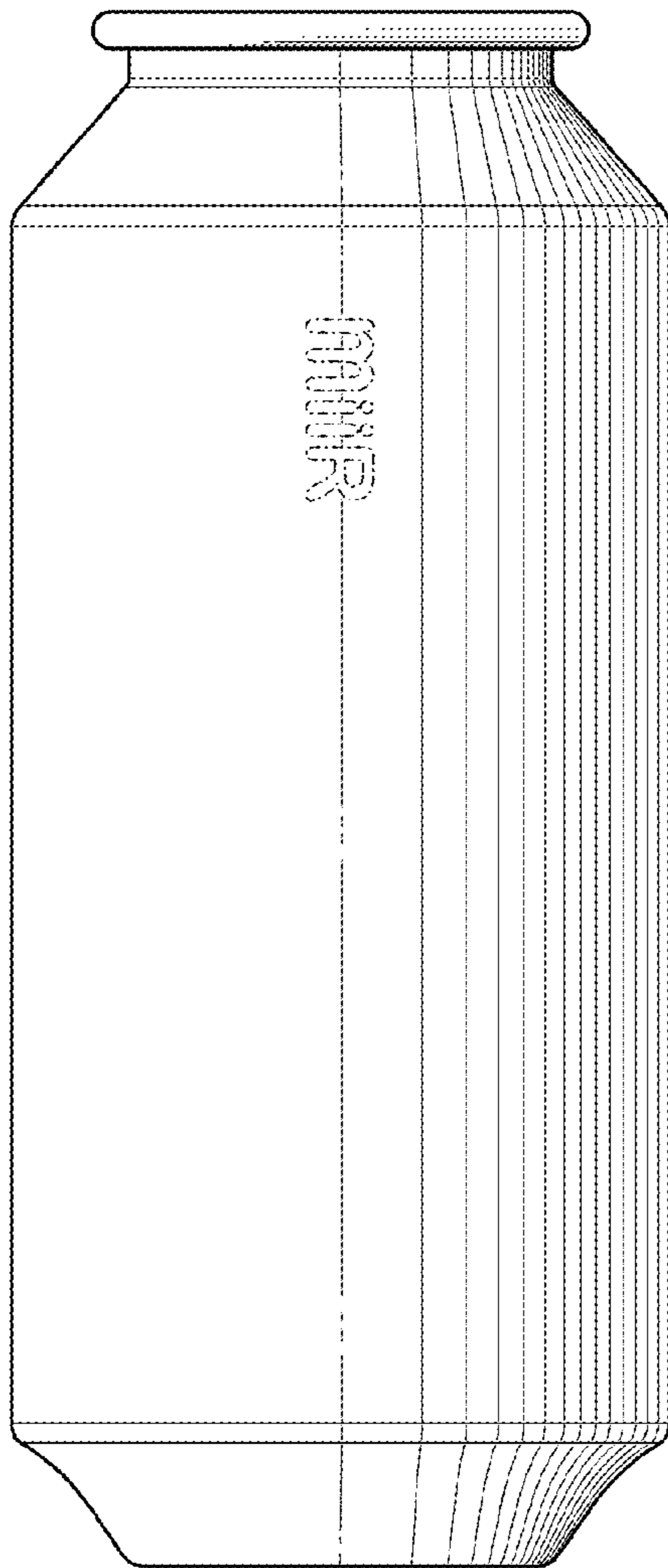


FIG. 2

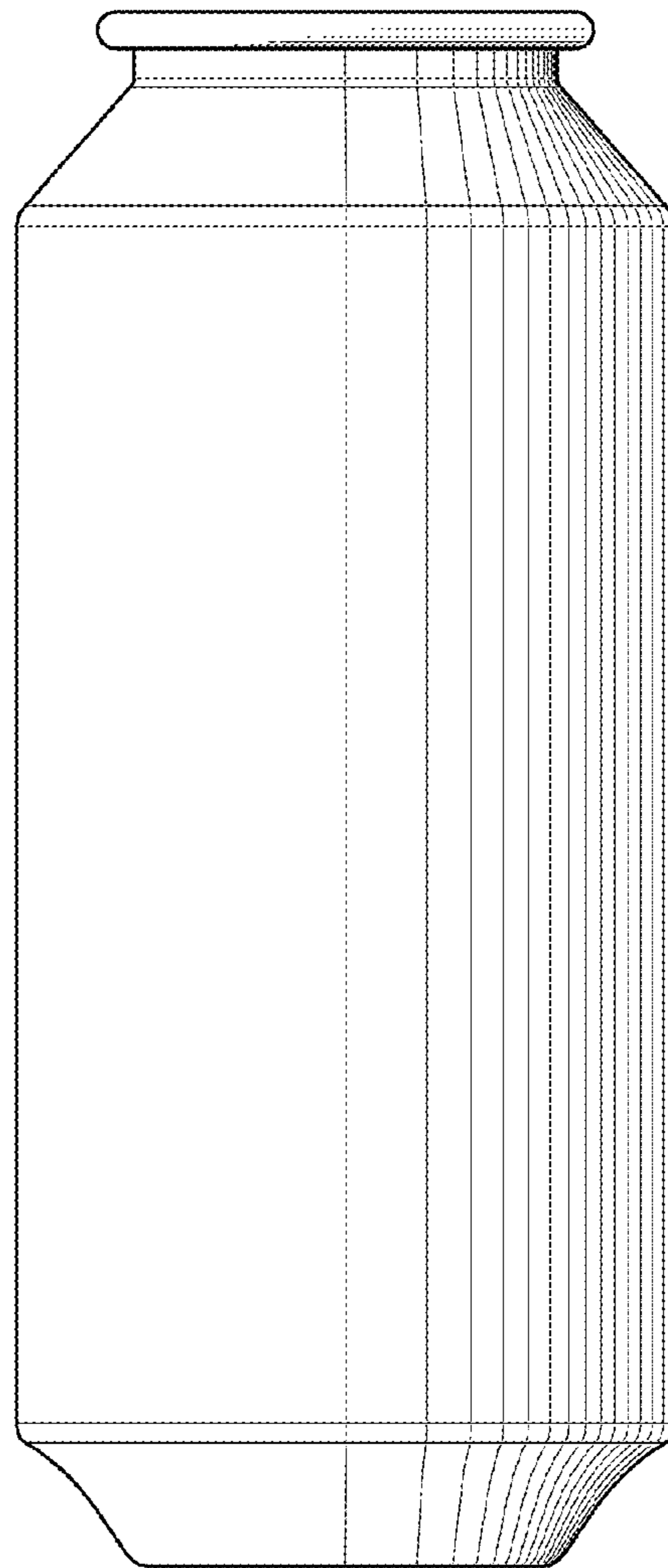


FIG. 3

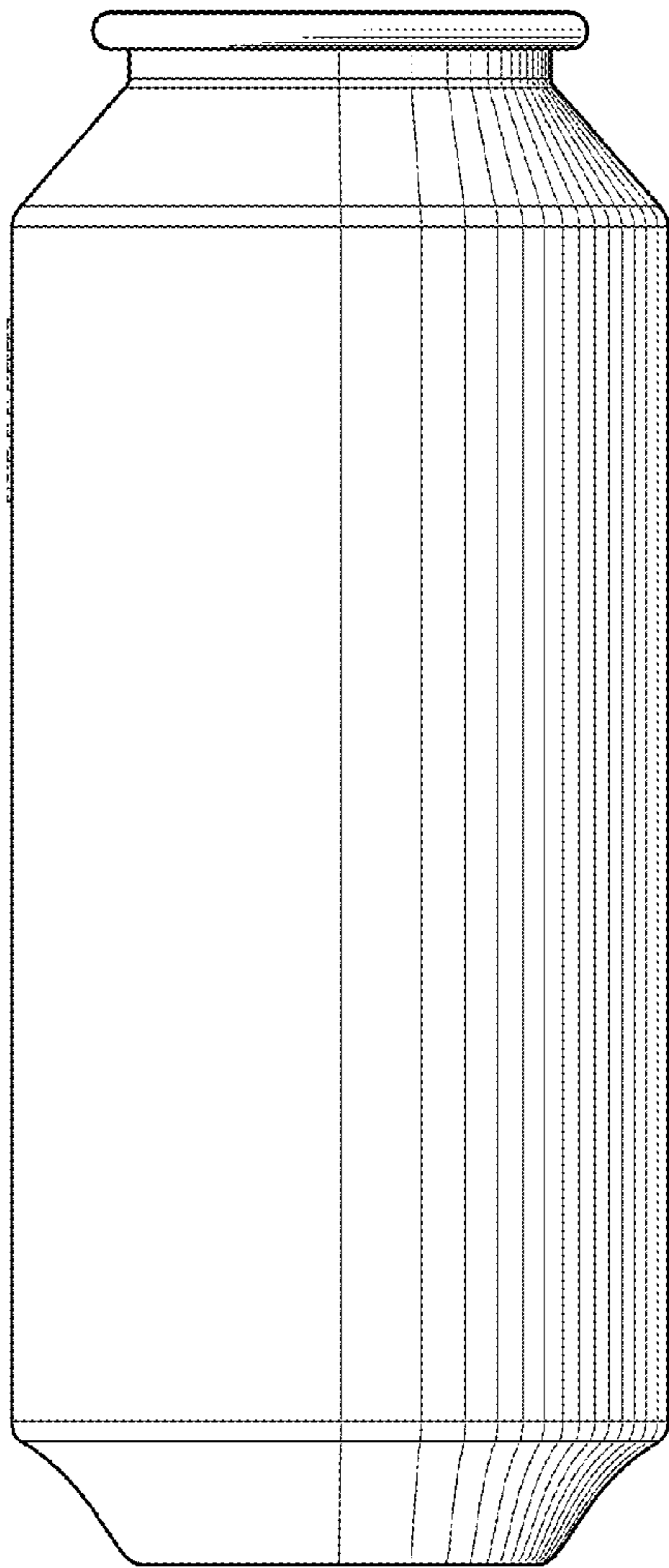


FIG. 4

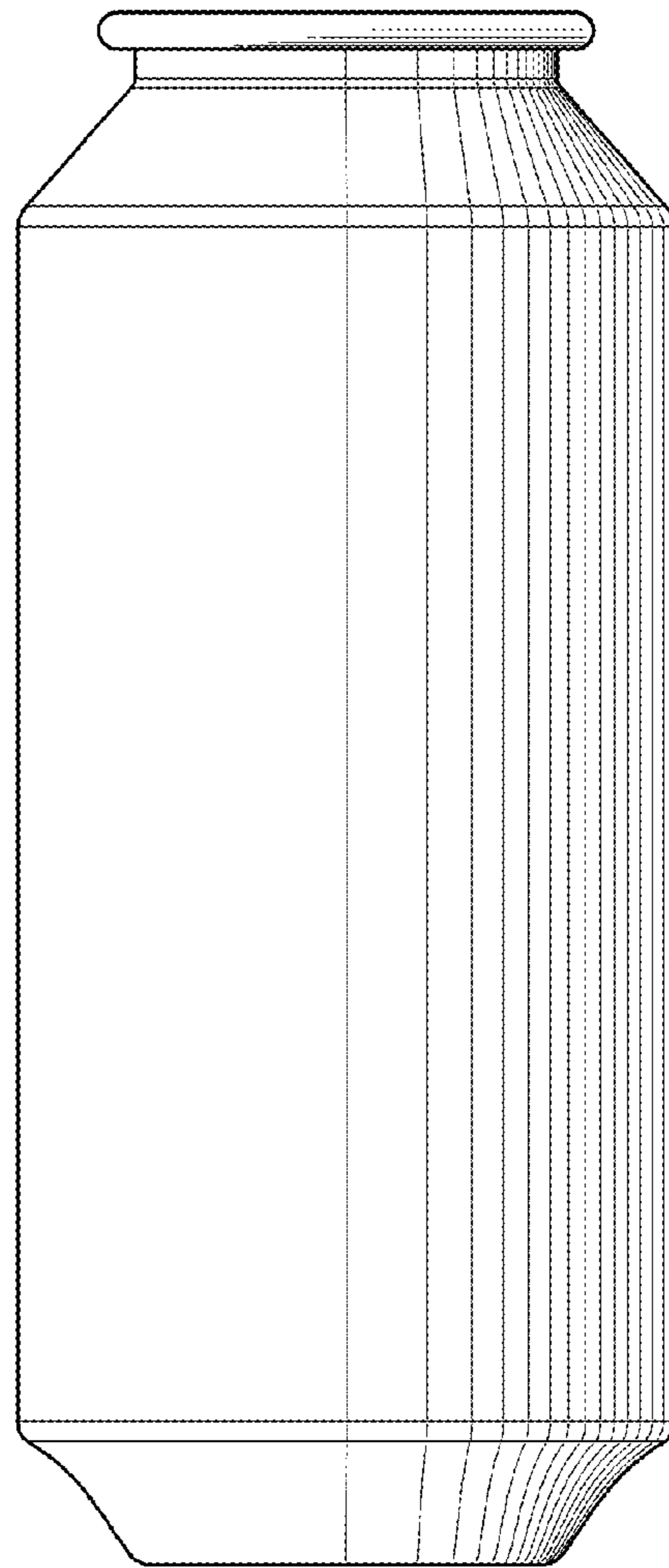


FIG. 5

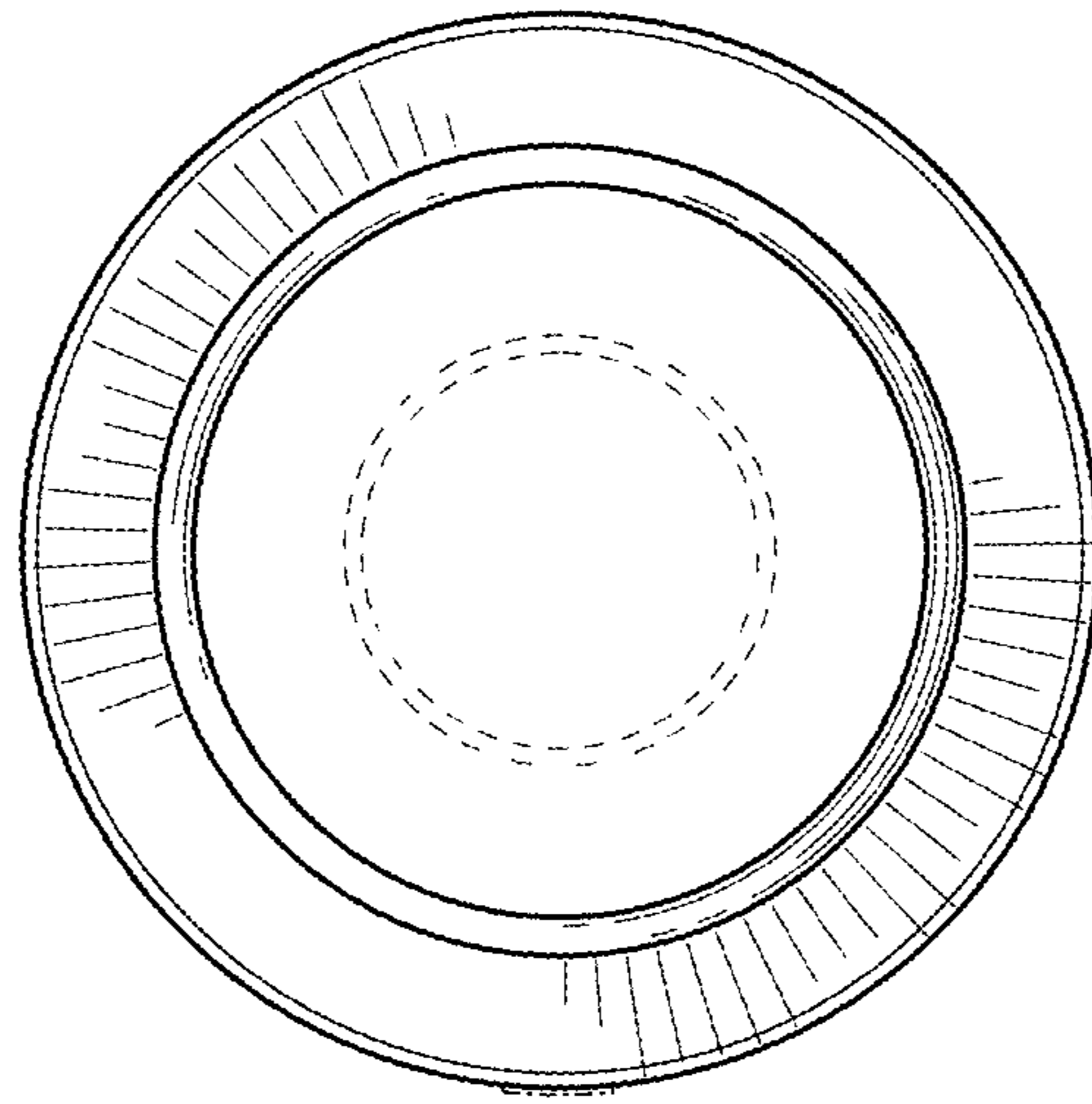


FIG. 6

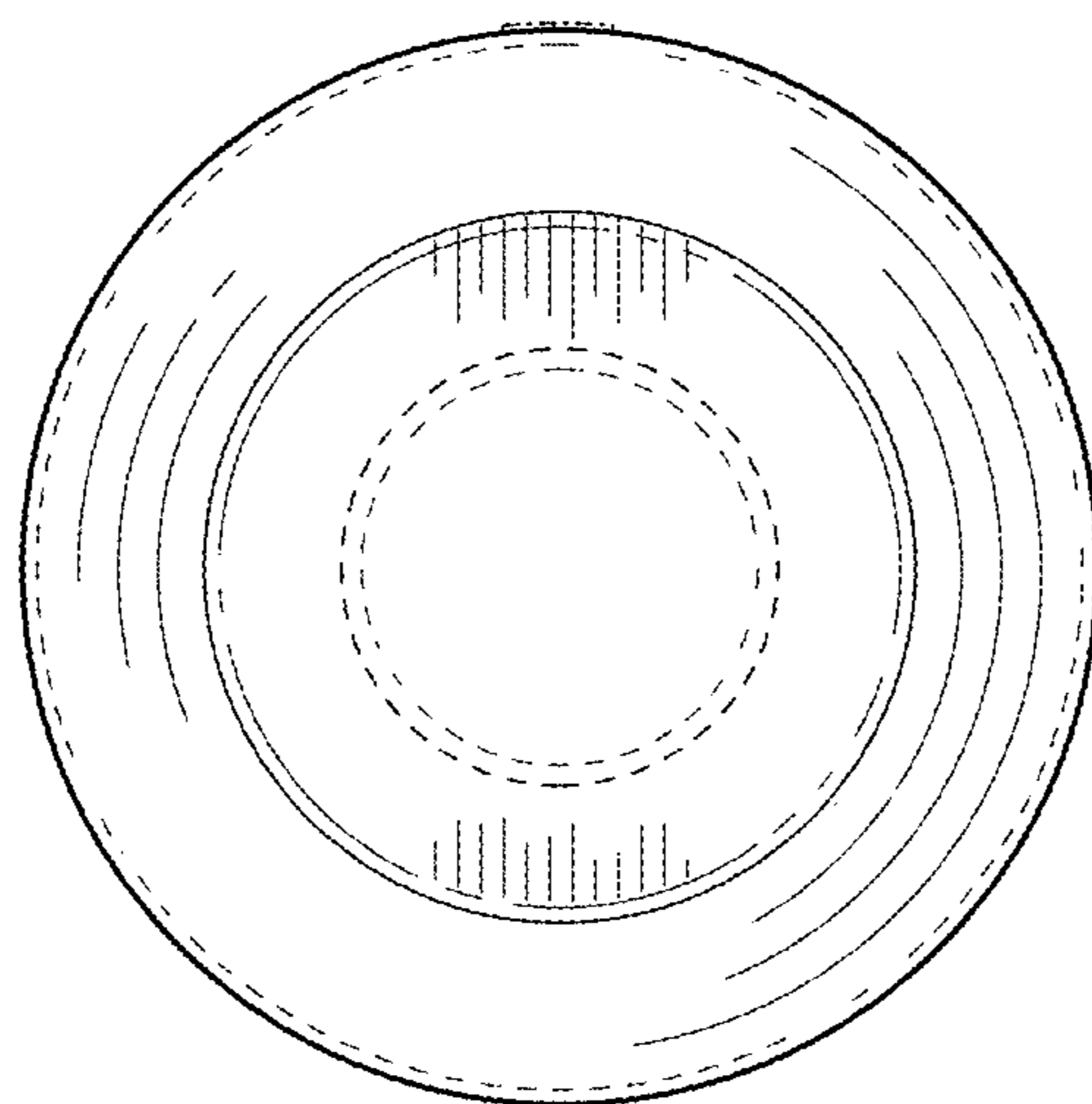


FIG. 7