



US00D746689S

(12) **United States Design Patent**  
**Hunter**

(10) **Patent No.:** **US D746,689 S**  
(45) **Date of Patent:** **\*\* Jan. 5, 2016**

(54) **CONTAINER**

(71) Applicant: **Graham Packaging Company, L.P.**,  
York, PA (US)

(72) Inventor: **Travis A. Hunter**, Hellam, PA (US)

(73) Assignee: **GRAHAM PACKAGING COMPANY,**  
**L.P.**, York, PA (US)

(\*\*) Term: **14 Years**

(21) Appl. No.: **29/487,039**

(22) Filed: **Apr. 4, 2014**

(51) **LOC (10) Cl.** ..... **09-01**

(52) **U.S. Cl.**  
USPC ..... **D9/502**

(58) **Field of Classification Search**  
USPC ..... D9/500, 502-503, 516, 530, 537-539,  
D9/549, 557-558, 715, 719  
CPC ..... B65D 1/00; B65D 1/02; B65D 1/0223;  
B65D 23/00; B65D 81/00; B65D 83/00;  
B65D 2501/00; B65D 2501/0009  
See application file for complete search history.

(56) **References Cited**

**U.S. PATENT DOCUMENTS**

D241,713 S	*	10/1976	Plummer	.....	D9/500
D241,715 S	*	10/1976	Plummer	.....	D9/500
D292,880 S	*	11/1987	Jacobs et al.	.....	D9/500
D293,888 S	*	1/1988	Rogler	.....	D9/500

D294,677 S	*	3/1988	Rogler	.....	D9/500
D313,747 S	*	1/1991	Martin	.....	D9/658
D313,930 S	*	1/1991	Martin	.....	D9/658
D322,936 S	*	1/1992	Maginnis, Jr.	.....	D9/538
D380,685 S	*	7/1997	Steih	.....	D9/549
D410,197 S	*	5/1999	Herrin et al.	.....	D9/502
D432,423 S	*	10/2000	Rashid	.....	D9/502
D518,725 S	*	4/2006	Eble	.....	D9/502
D579,334 S	*	10/2008	Williams	.....	D9/500
D602,357 S	*	10/2009	Serrano Diaz	.....	D9/502
D605,518 S	*	12/2009	Desjardins	.....	D9/502
D642,922 S	*	8/2011	Kuzma et al.	.....	D9/502
8,496,130 B2	*	7/2013	Lane et al.	.....	215/381
D691,477 S	*	10/2013	Tomkins et al.	.....	D9/500

\* cited by examiner

*Primary Examiner* — Dana L Meyrow

(74) *Attorney, Agent, or Firm* — Baker Botts L.L.P.

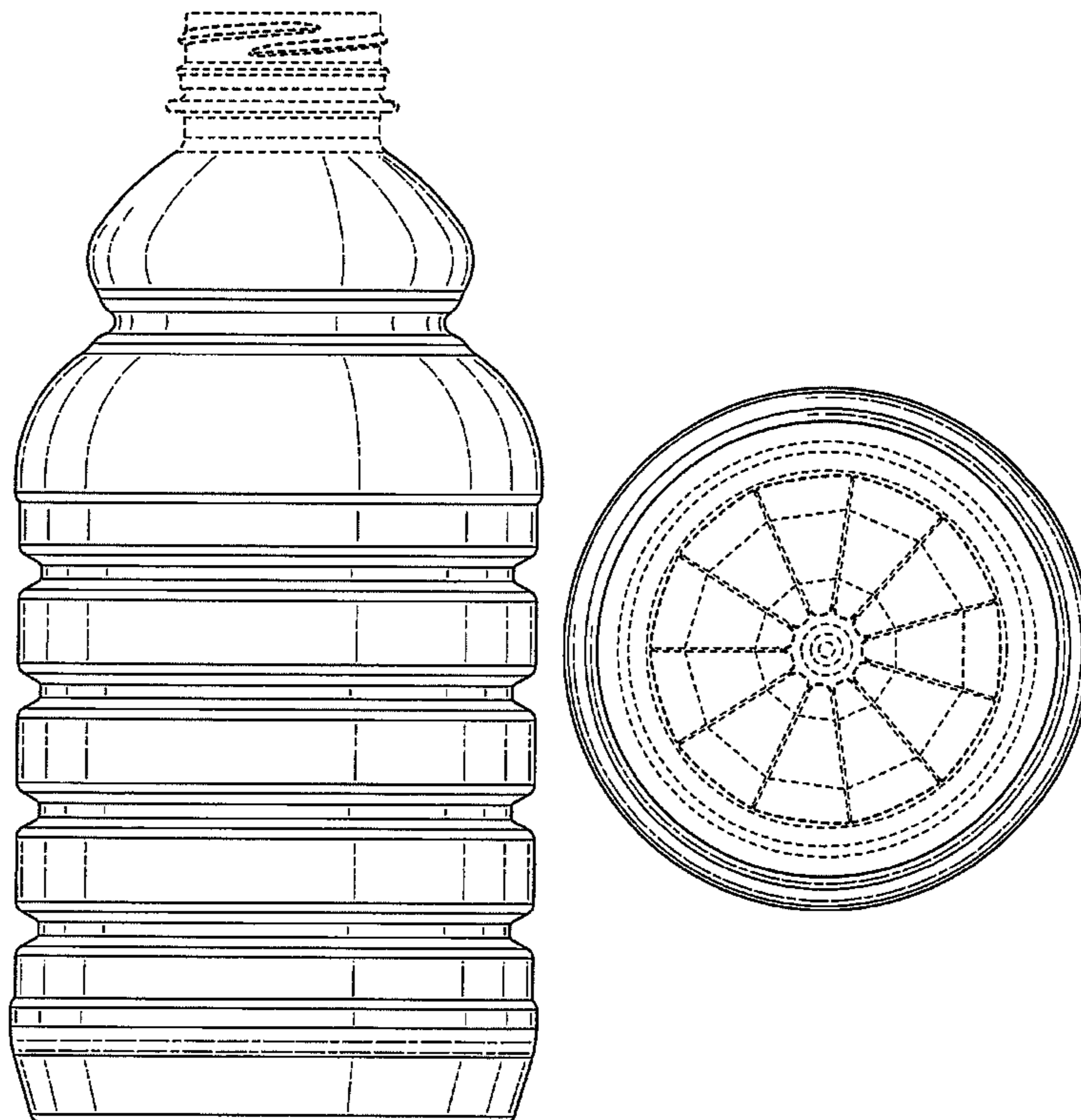
(57) **CLAIM**

The ornamental design for a container, as shown and described.

**DESCRIPTION**

FIG. 1 is a perspective view of our new design for a container. FIG. 2 is a front view of the container of FIG. 1. FIG. 3 is a rear view of the container of FIG. 1; FIG. 4 is a left side view of the container of FIG. 1. FIG. 5 is a right side view of the container of FIG. 1. FIG. 6 is a top view of the container of FIG. 1; and, FIG. 7 is a bottom view of the container of FIG. 1. The broken lines in the drawings illustrate the portions of the container that form no part of the claim.

**1 Claim, 6 Drawing Sheets**



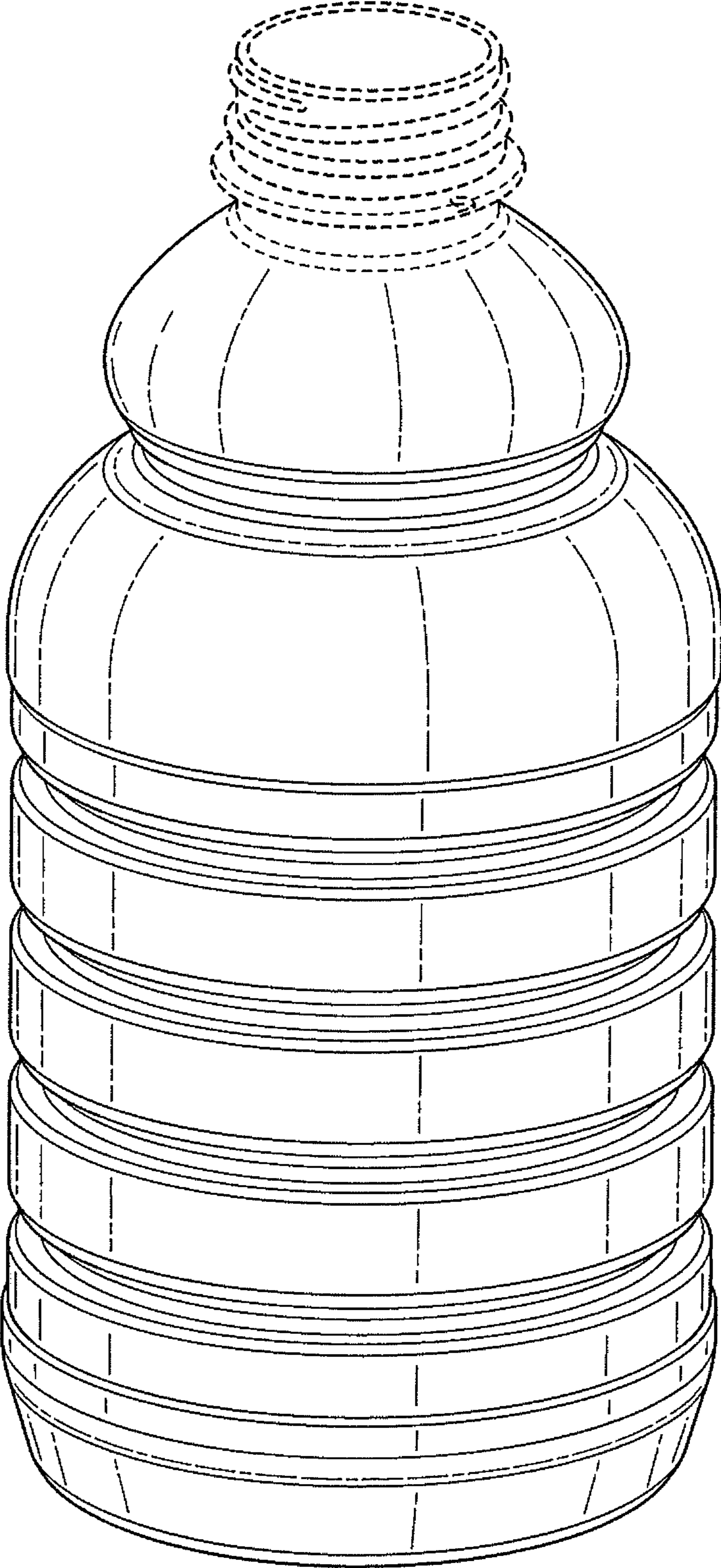


FIG. 1

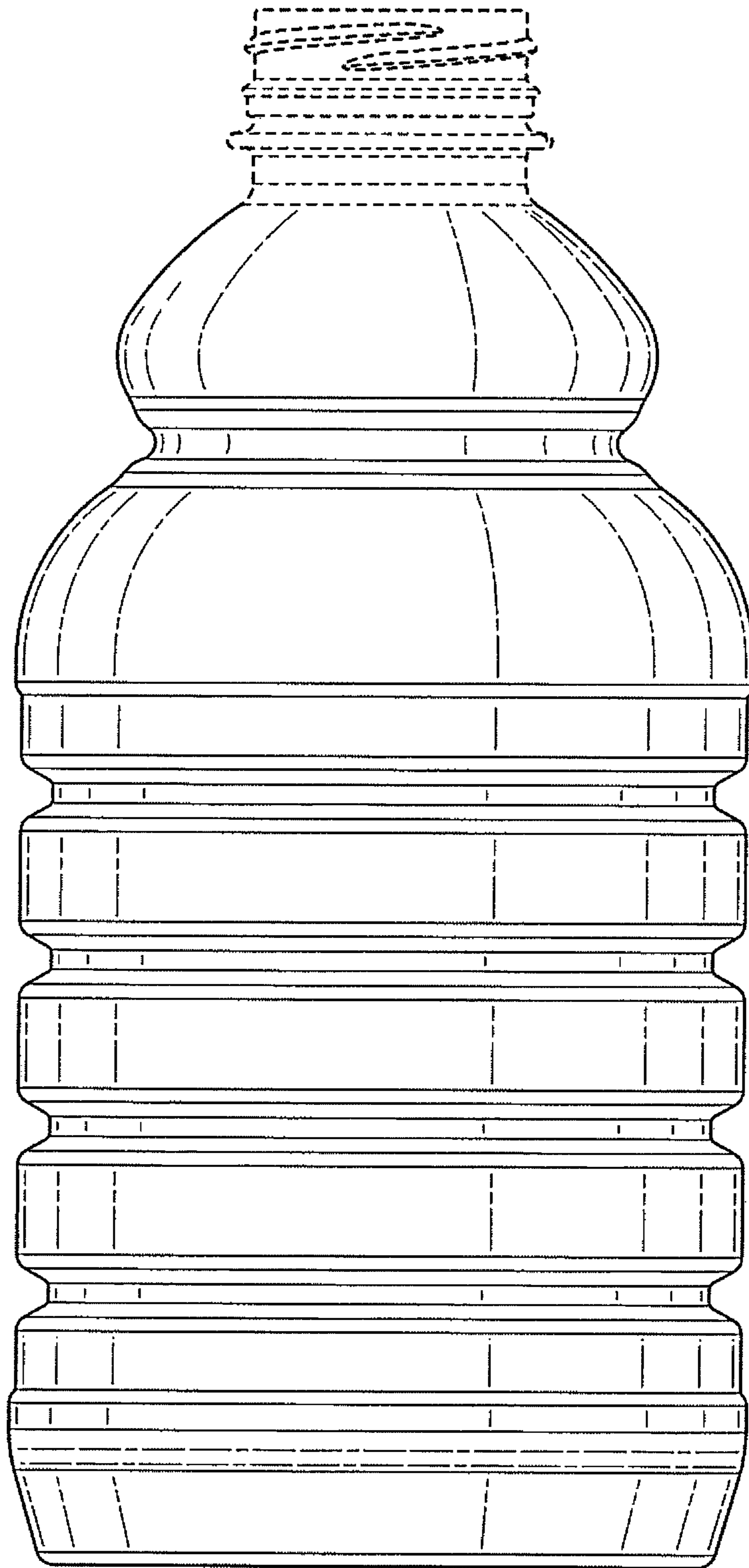


FIG. 2

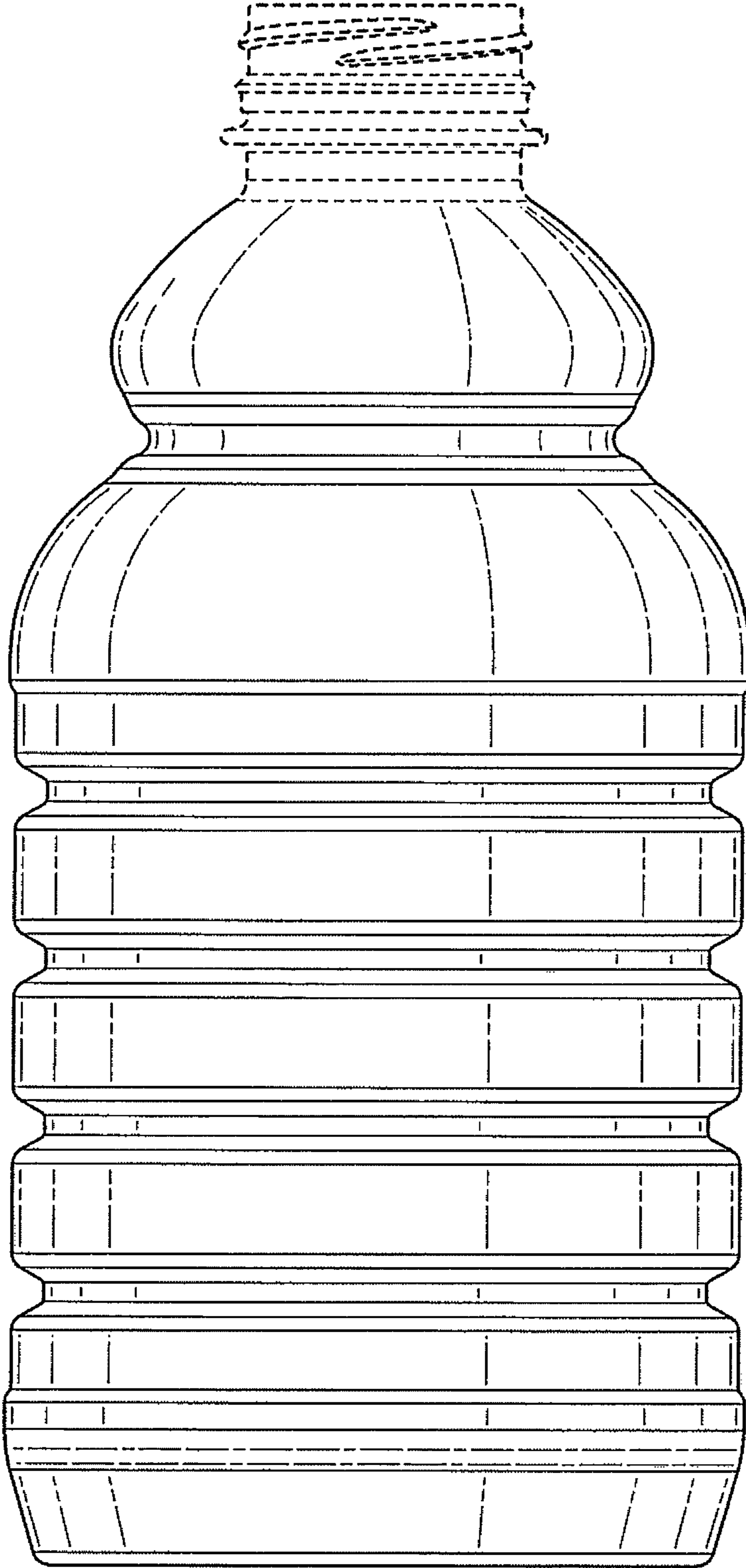


FIG. 3

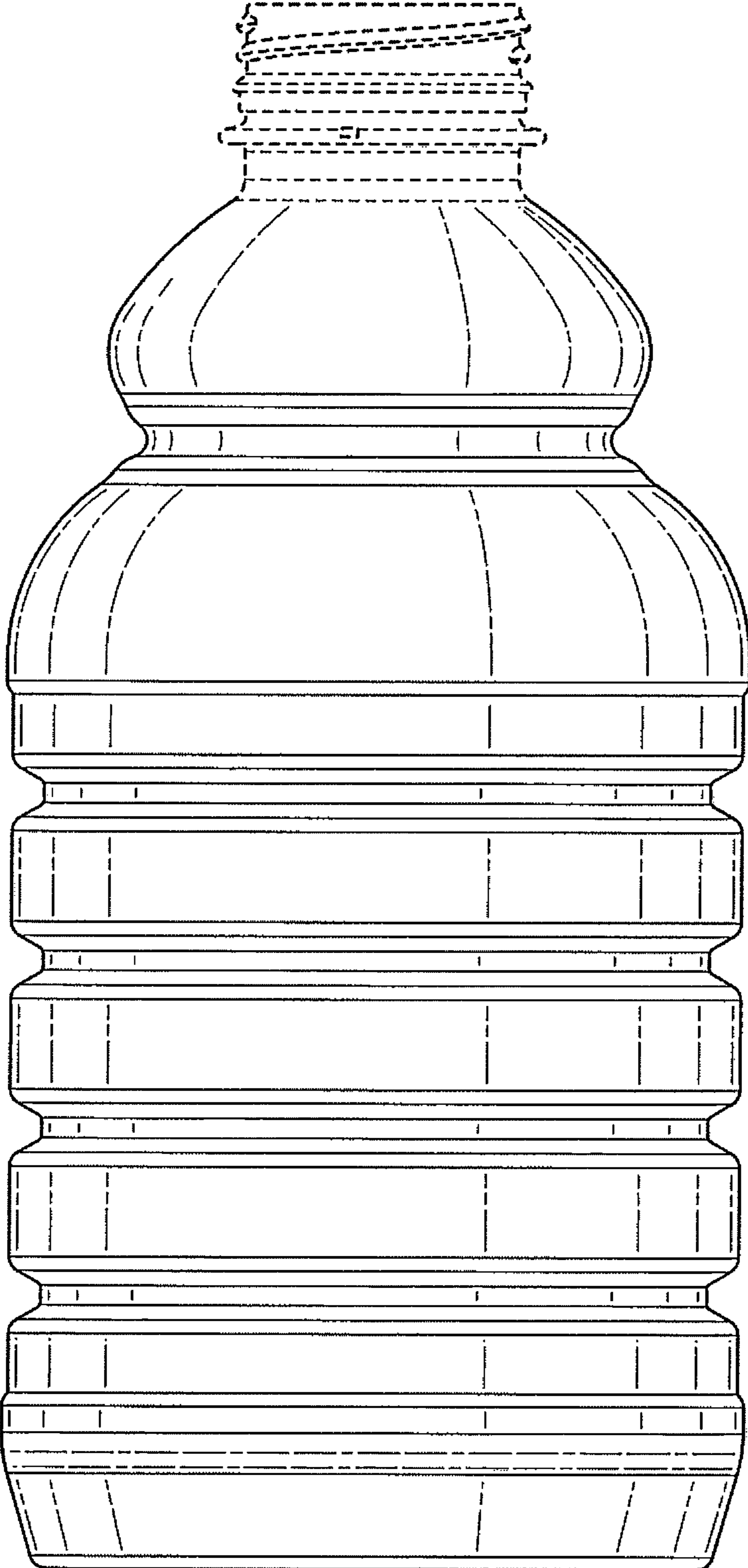


FIG. 4

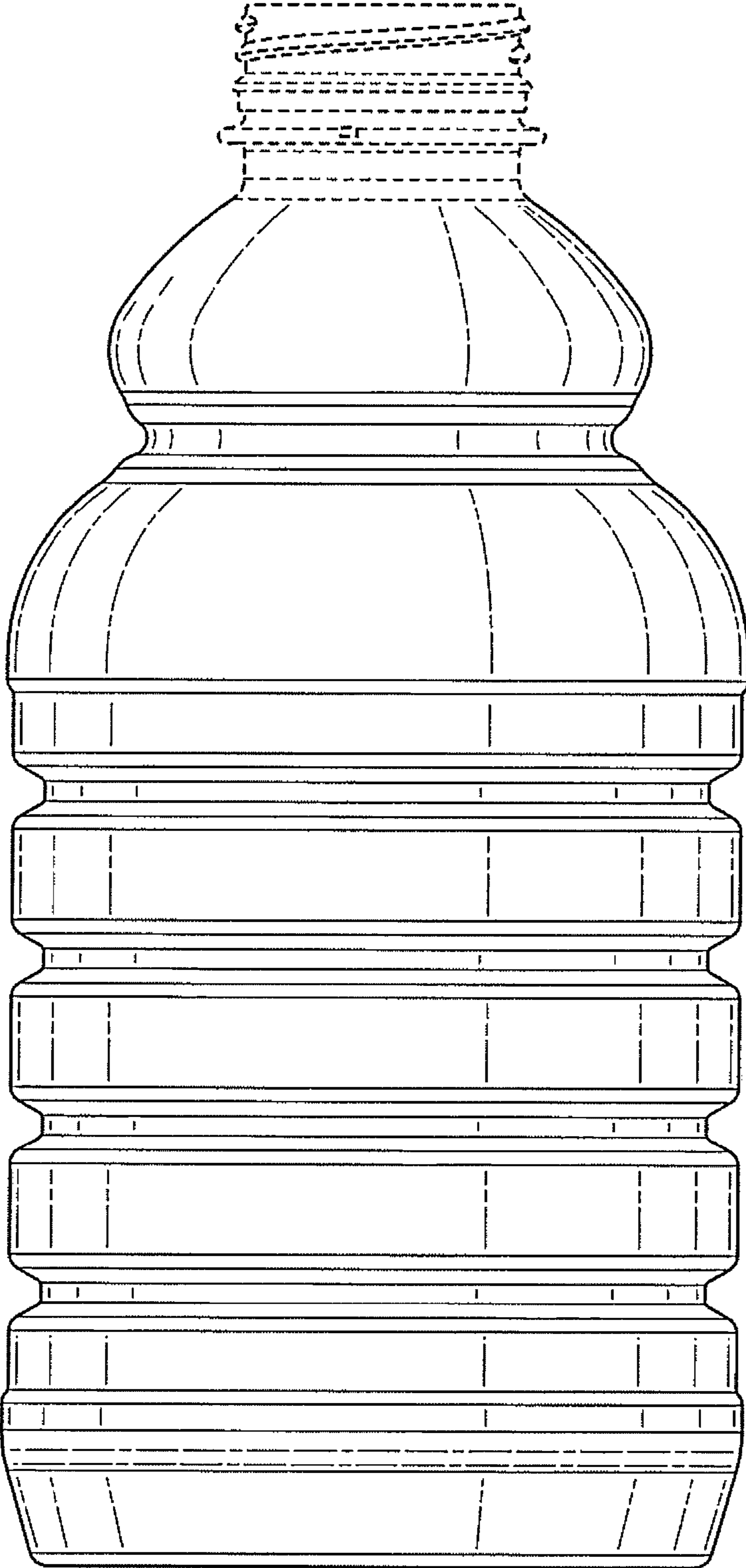


FIG. 5

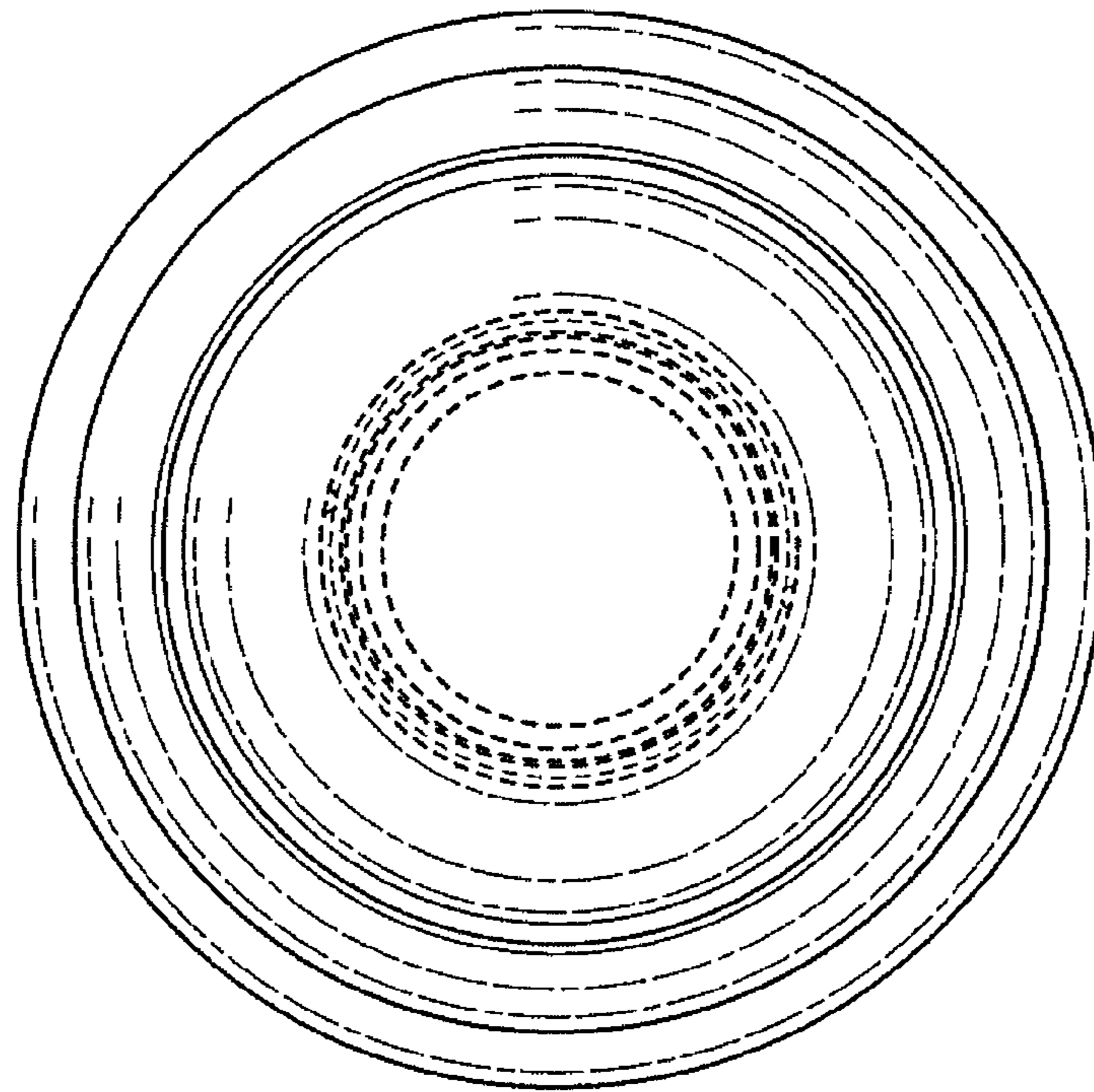


FIG. 6

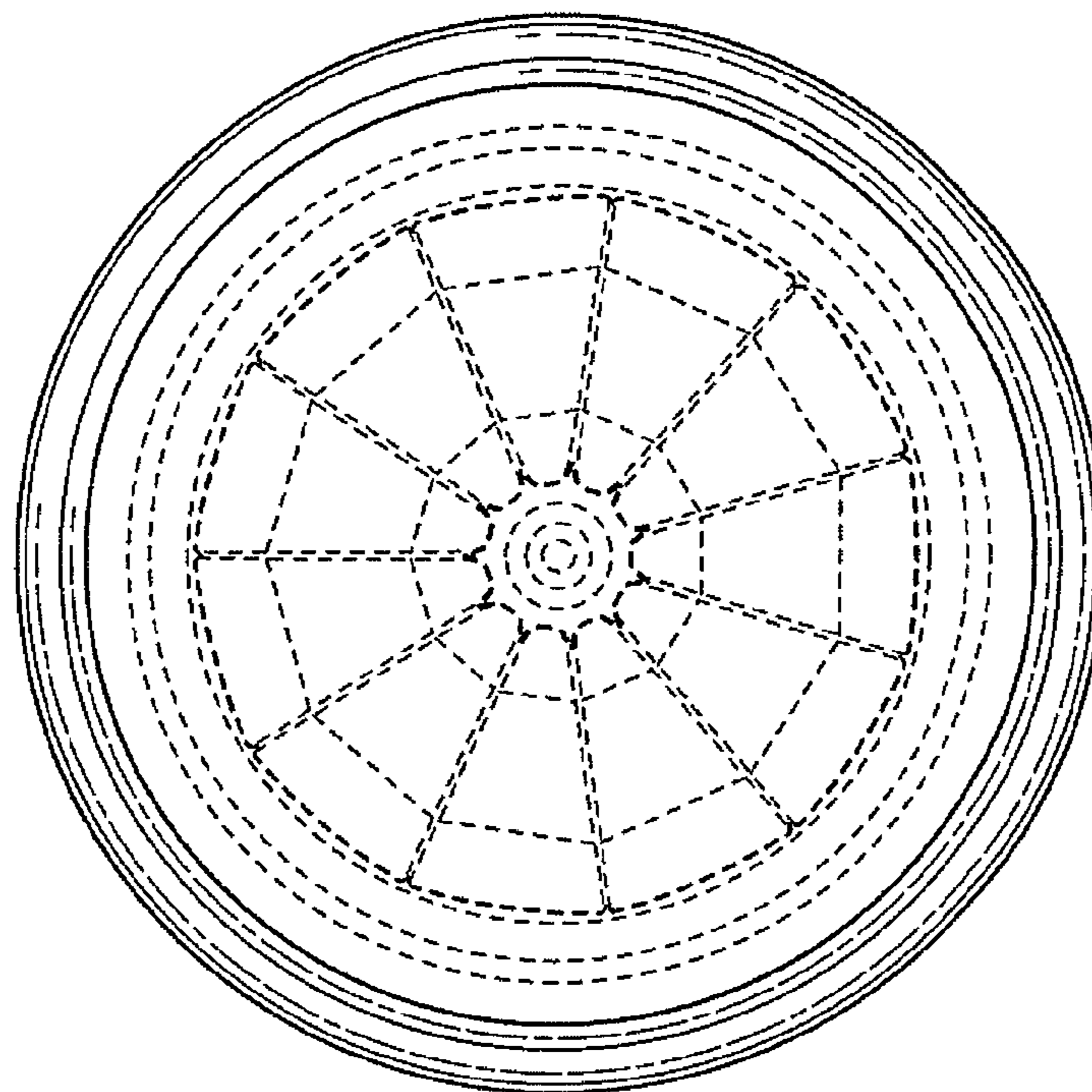


FIG. 7