



US00D746687S

(12) **United States Design Patent**
Yourist

(10) **Patent No.:** **US D746,687 S**

(45) **Date of Patent:** **** Jan. 5, 2016**

(54) **CONTAINER**

(71) Applicant: **Graham Packaging Company, L.P.**,
York, PA (US)

(72) Inventor: **Sheldon E. Yourist**, York, PA (US)

(73) Assignee: **GRAHAM PACKAGING COMPANY,**
L.P., York, PA (US)

(**) Term: **14 Years**

(21) Appl. No.: **29/484,035**

(22) Filed: **Mar. 5, 2014**

(51) **LOC (10) Cl.** **09-01**

(52) **U.S. Cl.**
USPC **D9/502**

(58) **Field of Classification Search**
USPC D9/500, 502-503, 516, 530, 537-539,
D9/549, 557-558, 715, 719; D7/532;
D24/197

CPC B65D 1/00; B65D 1/02; B65D 1/0223;
B65D 23/00; B65D 81/00; B65D 83/00;
B65D 2501/00; B65D 2501/0009

See application file for complete search history.

(56) **References Cited**

U.S. PATENT DOCUMENTS

D538,658 S * 3/2007 Horne et al. D9/502
D545,194 S * 6/2007 Goudsblom D9/502
D608,203 S * 1/2010 Yourist D9/502

D613,166 S * 4/2010 Bentley D9/502
D620,362 S * 7/2010 Boukobza D9/500
D642,470 S * 8/2011 Yourist D9/500
D642,471 S * 8/2011 White et al. D9/502
D653,951 S * 2/2012 Scott D9/502
D667,306 S * 9/2012 Verea D9/502
D682,700 S * 5/2013 White et al. D9/538
D689,375 S * 9/2013 Garner D9/745

OTHER PUBLICATIONS

U.S. Appl. No. 29/484,031, filed Mar. 5, 2014.

U.S. Appl. No. 29/484,038, filed Mar. 5, 2014.

* cited by examiner

Primary Examiner — Dana L Meyrow

(74) *Attorney, Agent, or Firm* — Baker Botts L.L.P.

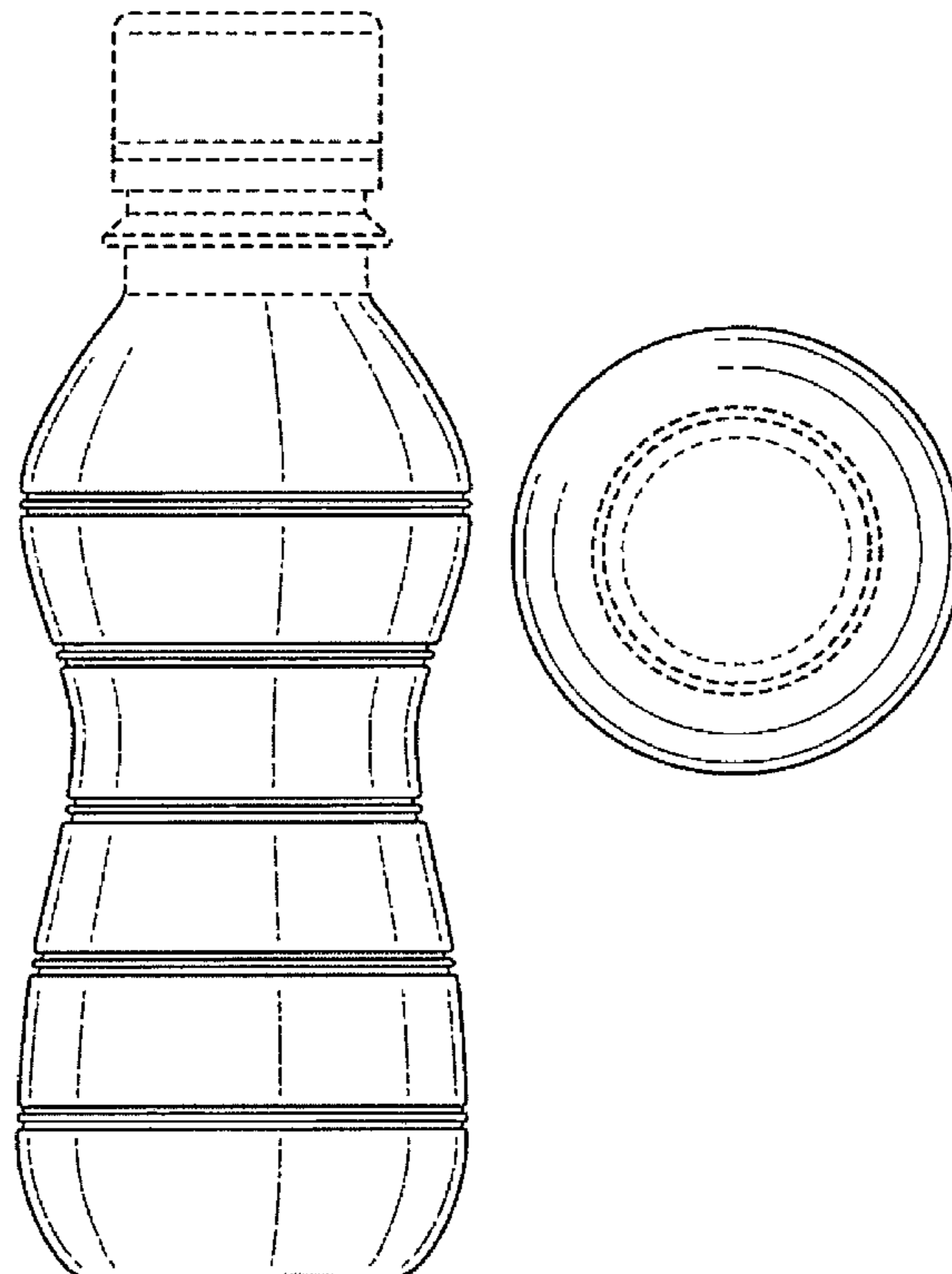
(57) **CLAIM**

The ornamental design for a container, as shown and described.

DESCRIPTION

FIG. 1 is a perspective view of our new design for a container.
FIG. 2 is a front view of the container of FIG. 1.
FIG. 3 is a rear view of the container of FIG. 1;
FIG. 4 is a left side view of the container of FIG. 1.
FIG. 5 is a right side view of the container of FIG. 1.
FIG. 6 is a top view of the container of FIG. 1; and,
FIG. 7 is a bottom view of the container of FIG. 1.
The broken lines in the drawings illustrate the portions of the container that form no part of the claim.

1 Claim, 4 Drawing Sheets



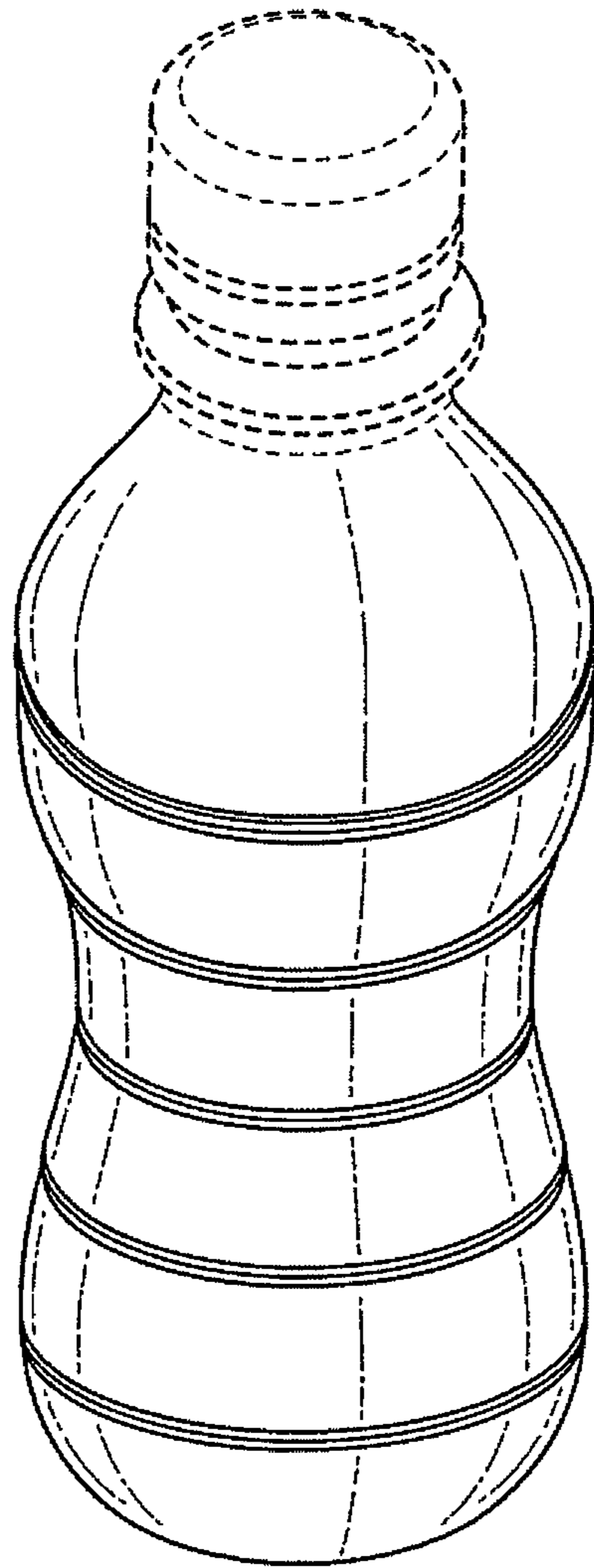


FIG. 1

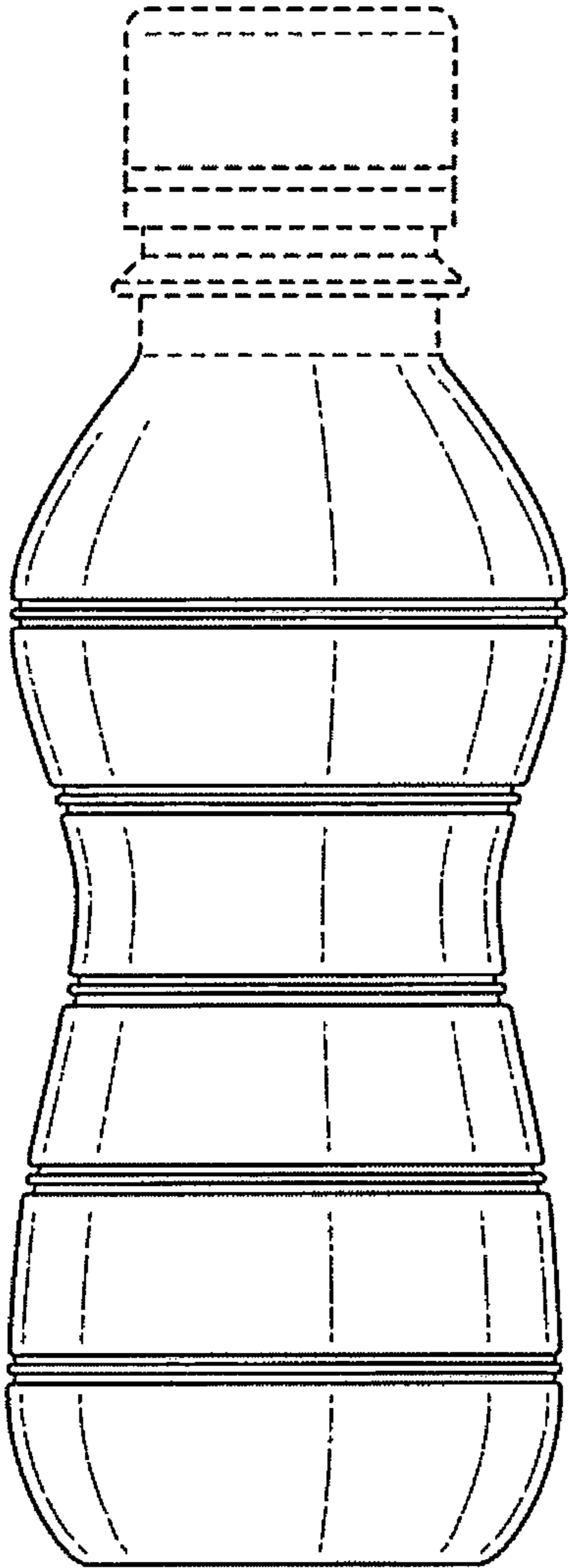


FIG. 2

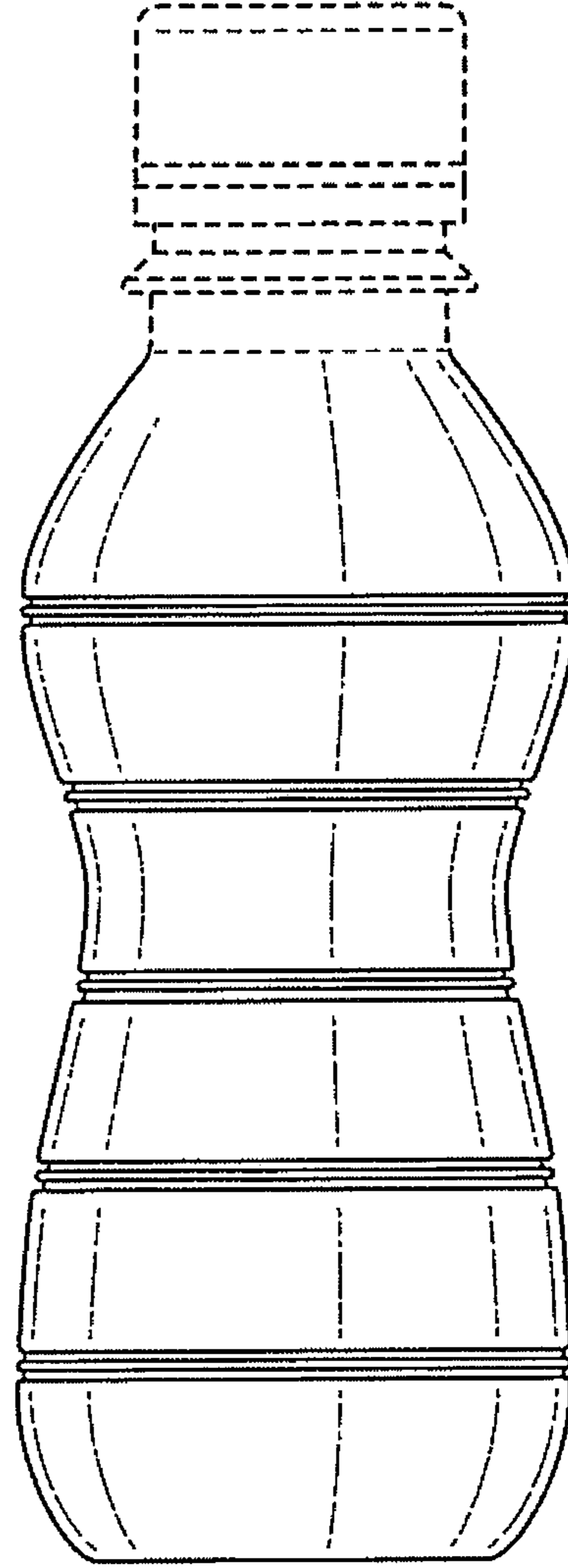


FIG. 3

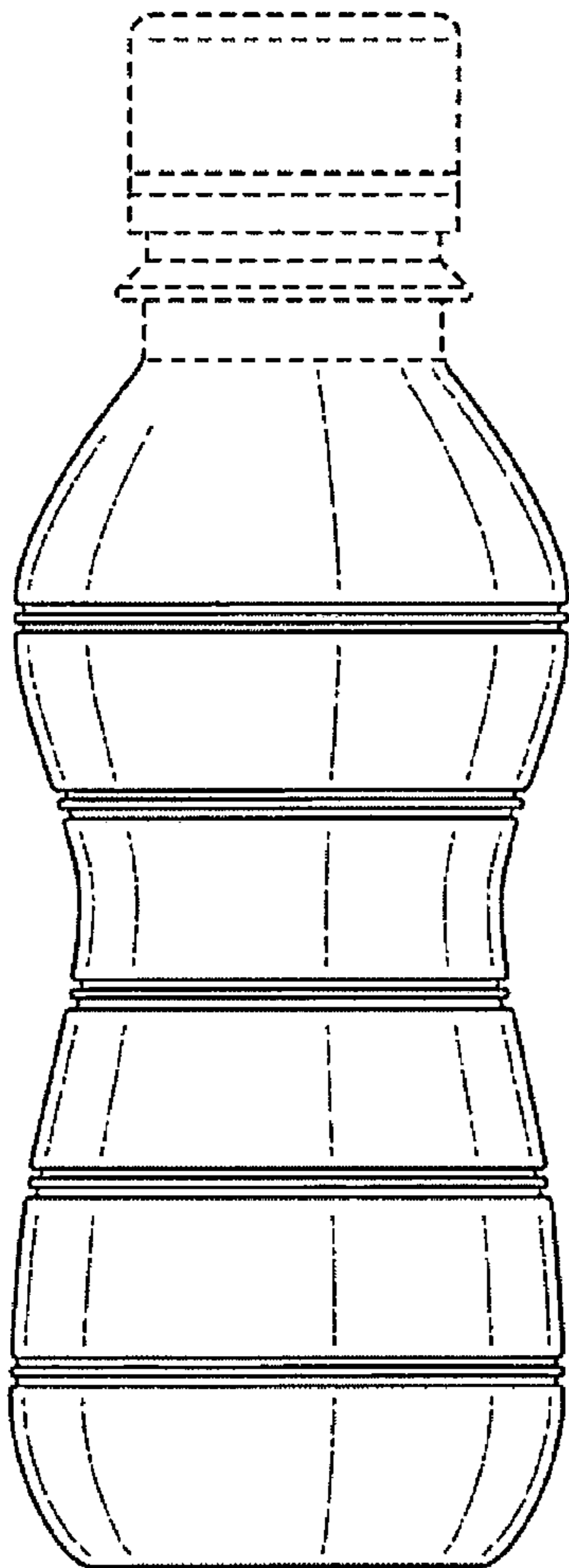


FIG. 4

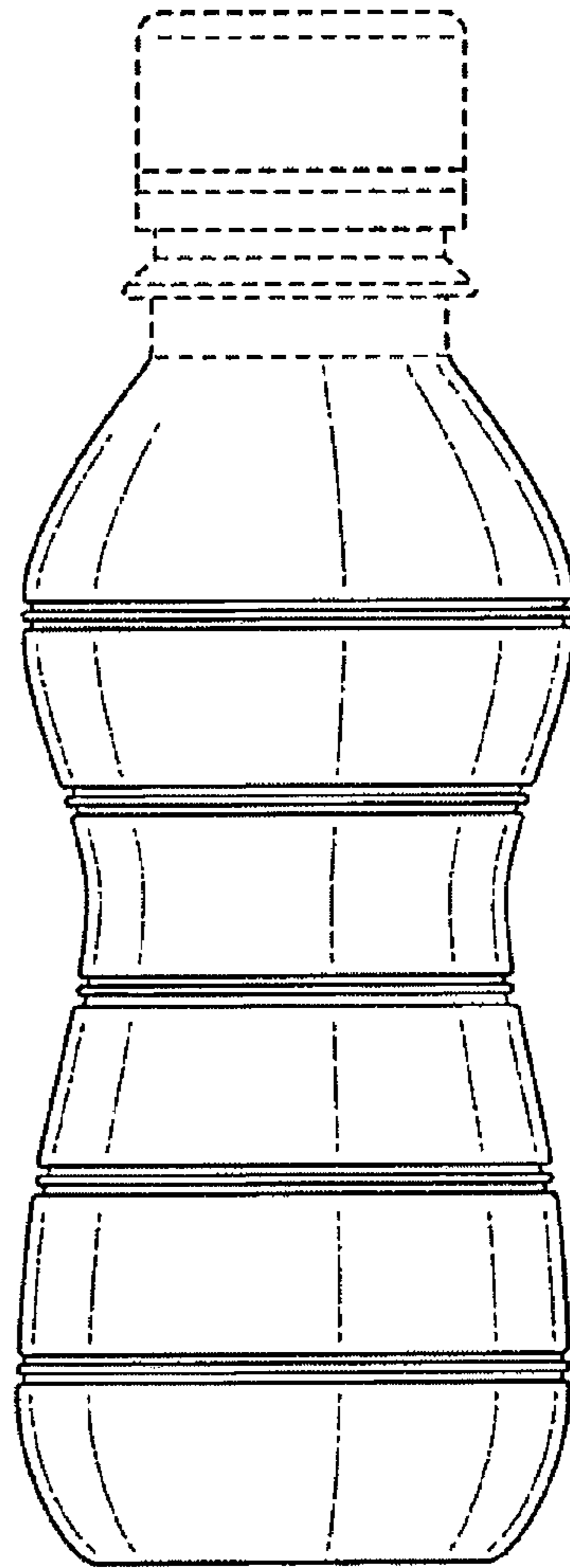


FIG. 5

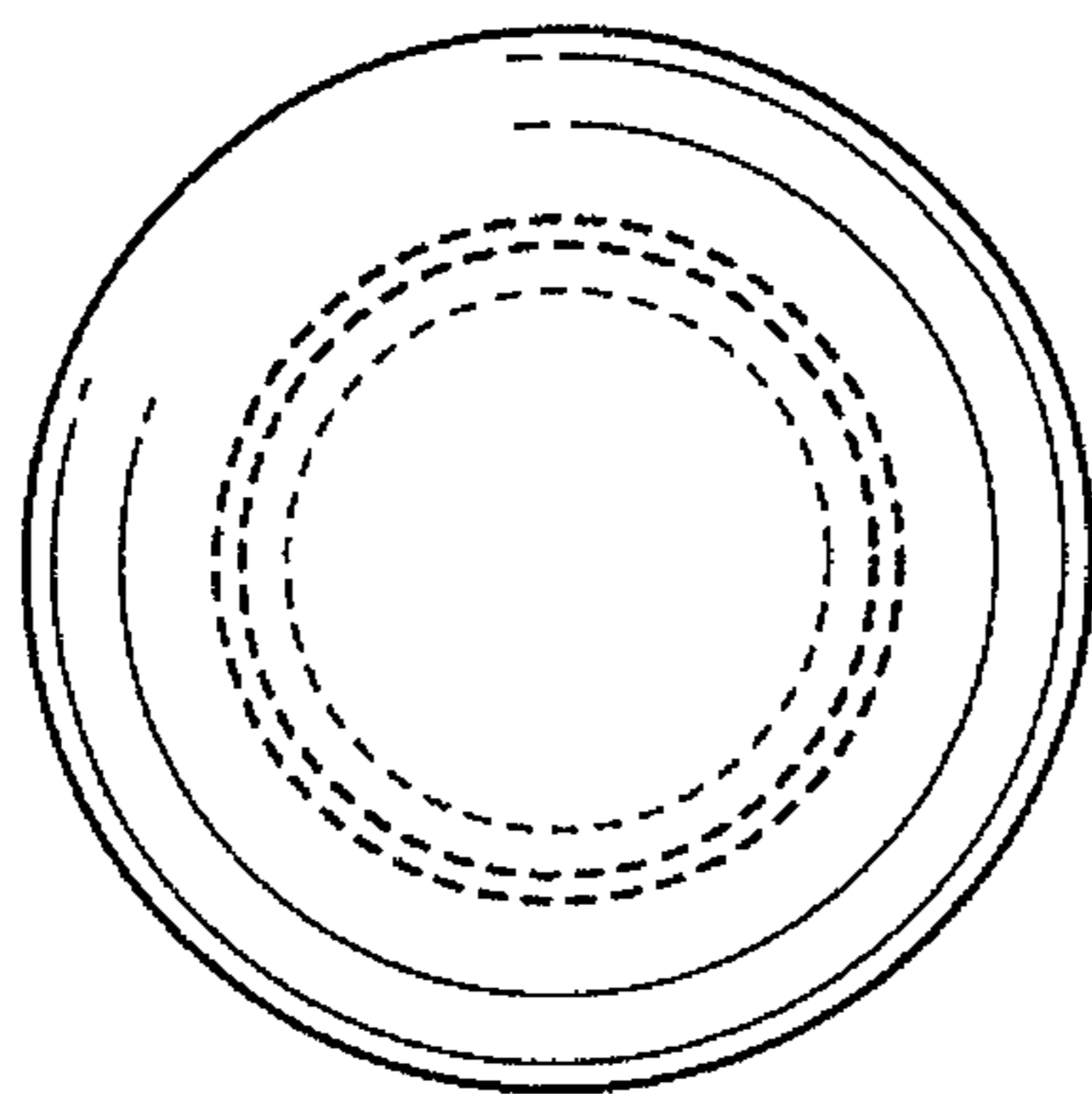


FIG. 6

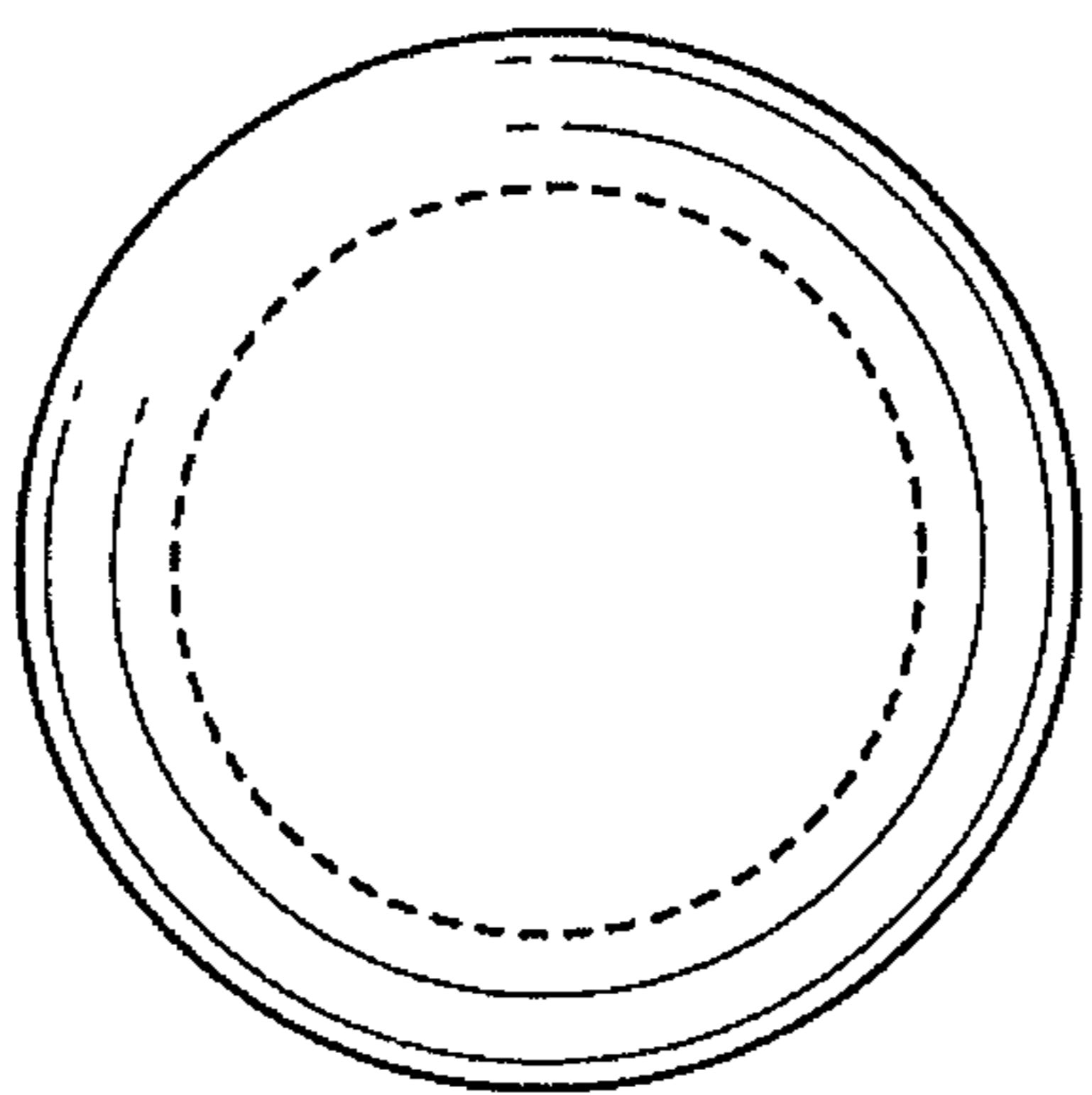


FIG. 7