



US00D746685S

(12) **United States Design Patent**
Foley

(10) **Patent No.:** **US D746,685 S**
(45) **Date of Patent:** **** Jan. 5, 2016**

(54) **BEVERAGE BOTTLE**

(71) Applicant: **Kellogg Company**, Battle Creek, MI (US)

(72) Inventor: **Ed Foley**, Richland, MI (US)

(73) Assignee: **Kellogg Company**, Battle Creek, MI (US)

(**) Term: **14 Years**

(21) Appl. No.: **29/475,655**

(22) Filed: **Dec. 5, 2013**

(51) **LOC (10) Cl.** **09-01**

(52) **U.S. Cl.**
USPC **D9/502**; D9/453; D9/454; D9/503

(58) **Field of Classification Search**
USPC D9/434-435, 453-454, 500, 502-503, D9/516, 530, 537-539, 549, 557-558, 715, D9/719; D7/532; D24/197
CPC B65D 1/00; B65D 1/02; B65D 1/0223; B65D 23/00; B65D 81/00; B65D 83/00; B65D 2501/00; B65D 2501/0009
See application file for complete search history.

(56) **References Cited**

U.S. PATENT DOCUMENTS

D426,163 S	6/2000	Safadi et al.	
6,112,923 A *	9/2000	Ma	215/252
D443,519 S	6/2001	Warner et al.	
D464,889 S	10/2002	Cogley et al.	
D479,131 S	9/2003	Warner et al.	
D501,792 S	2/2005	Priestman	
D545,194 S *	6/2007	Goudsblom	D9/502
7,228,981 B2	6/2007	Chisholm	

D567,098 S	4/2008	Sequeira	
D574,240 S *	8/2008	Szczesniak	D9/453
D604,169 S	11/2009	Melossi	
D608,203 S	1/2010	Yourist	
D613,166 S *	4/2010	Bentley	D9/502
D634,199 S *	3/2011	Taber et al.	D9/453
D642,471 S *	8/2011	White et al.	D9/502
D653,951 S *	2/2012	Scott	D9/502
D667,306 S *	9/2012	Verea	D9/502
D677,575 S	3/2013	Barnard et al.	
D682,700 S *	5/2013	White et al.	D9/538
D689,375 S *	9/2013	Garner	D9/745
2006/0207961 A1	9/2006	Kurtz	
2008/0264894 A1	10/2008	Loughrin et al.	
2008/0308442 A1 *	12/2008	Spigelman et al.	206/459.1
2012/0312826 A1	12/2012	Yourist	

* cited by examiner

Primary Examiner — Dana L Meyrow

(74) *Attorney, Agent, or Firm* — Honigman Miller Schwartz and Cohn LLP; Kathryn D. Doyle, Esq.; Jonathan P. O'Brien

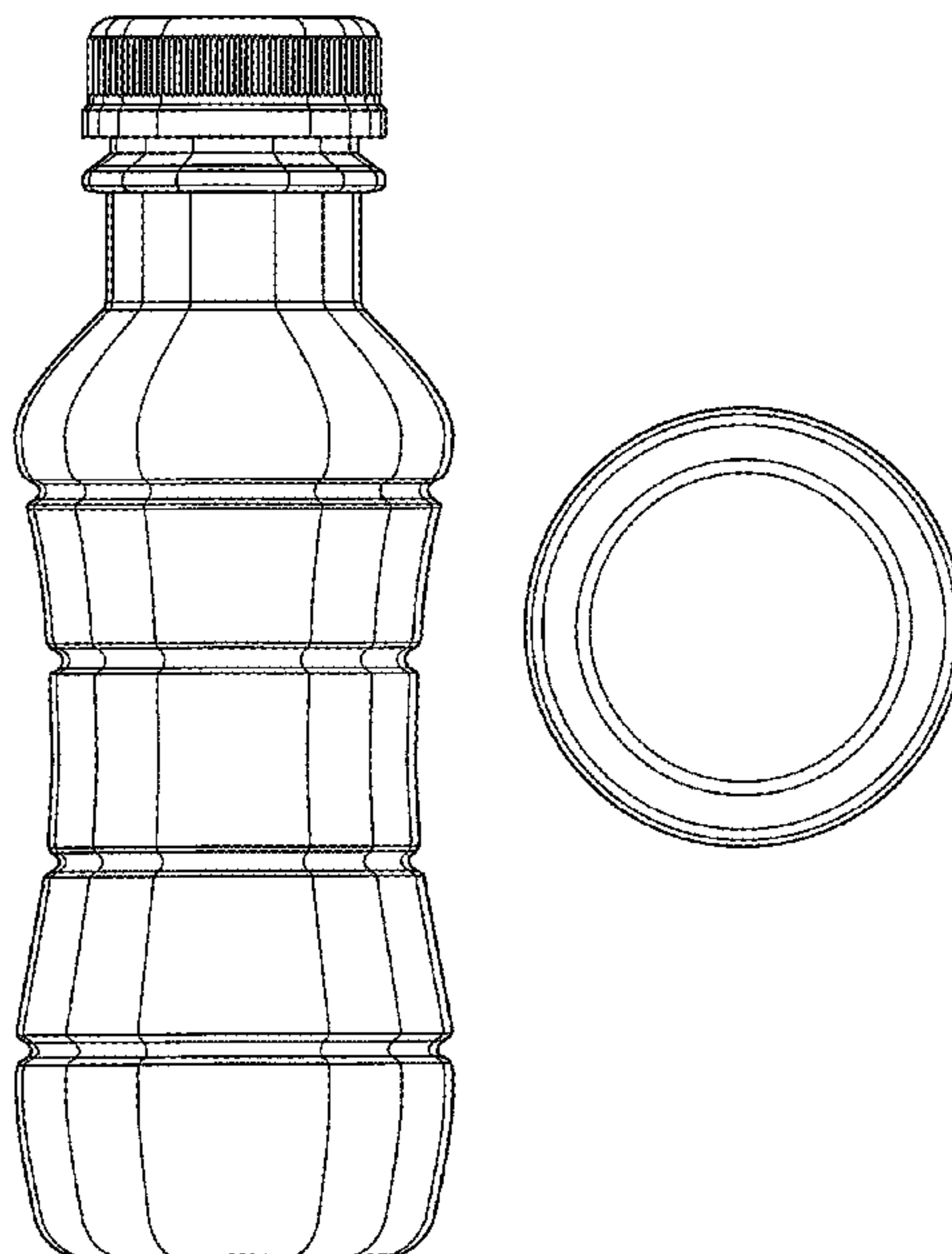
(57) **CLAIM**

I claim the ornamental design for a beverage bottle, as shown and described.

DESCRIPTION

FIG. 1 is a perspective view of the beverage bottle of the present invention.
FIG. 2 is a front view of the beverage bottle of the present invention.
FIG. 3 is a side view of the beverage bottle of the present invention.
FIG. 4 is a top view of the beverage bottle of the present invention; and,
FIG. 5 is a bottom view of the beverage bottle of the present invention.

1 Claim, 5 Drawing Sheets



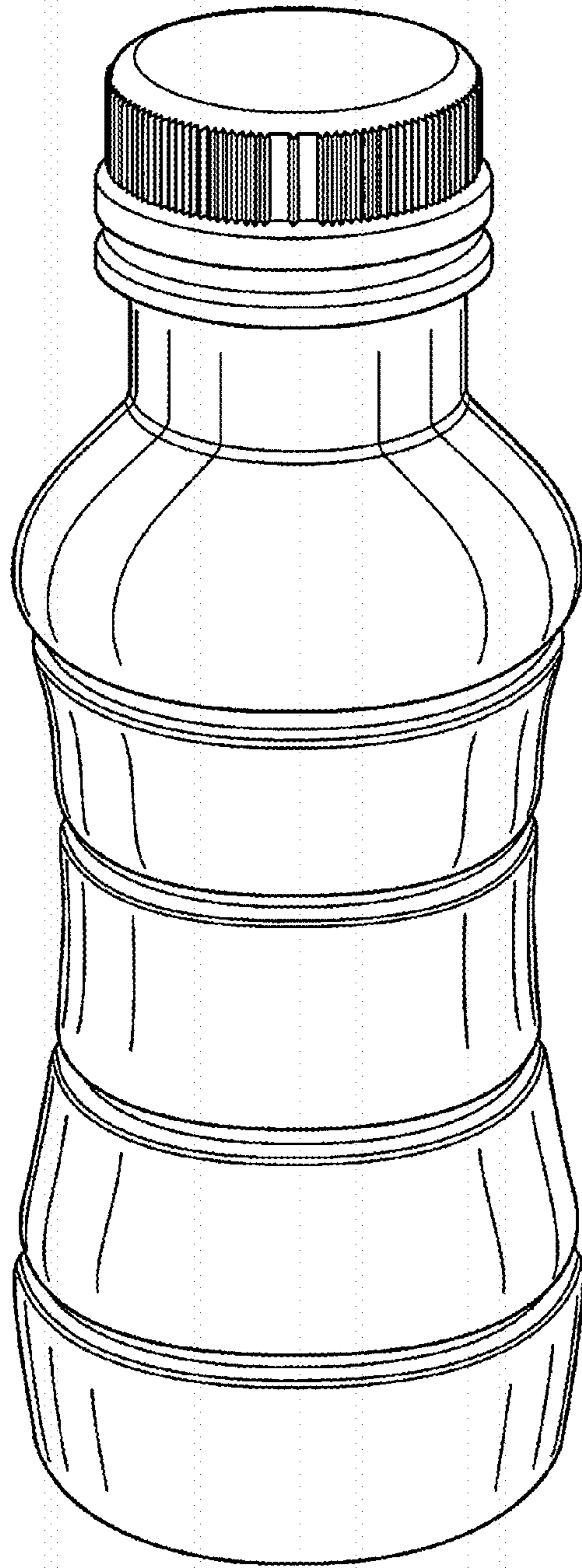


FIG. 1

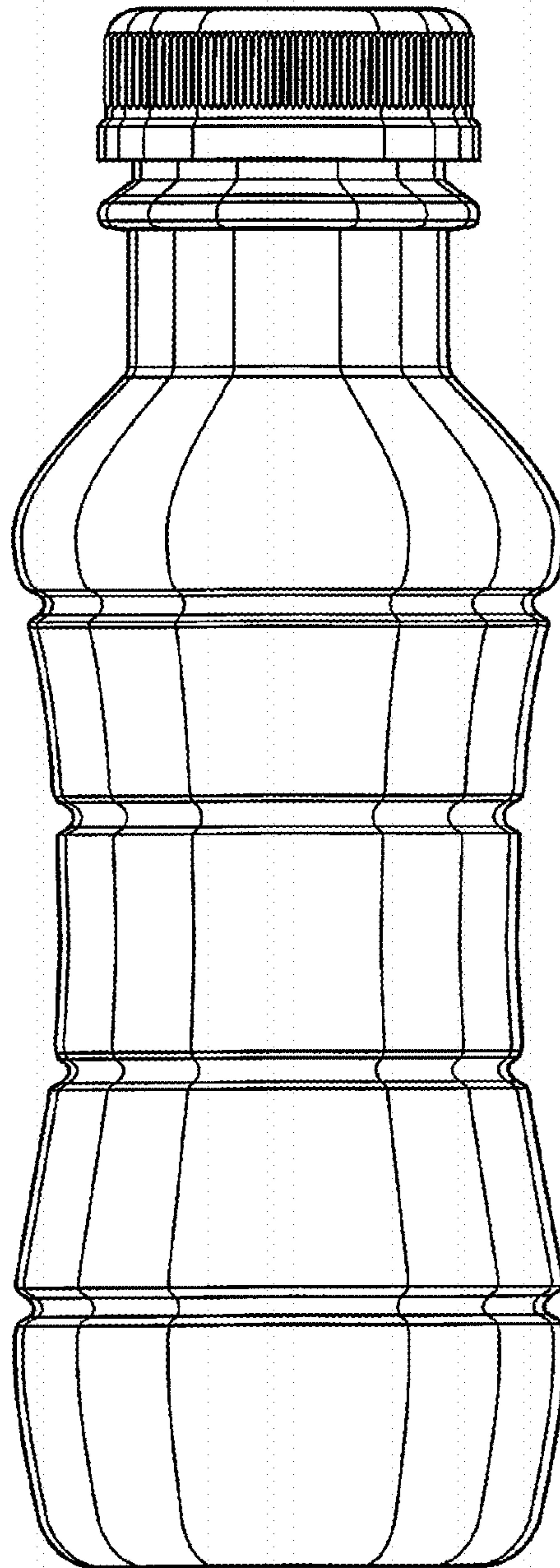


FIG. 2

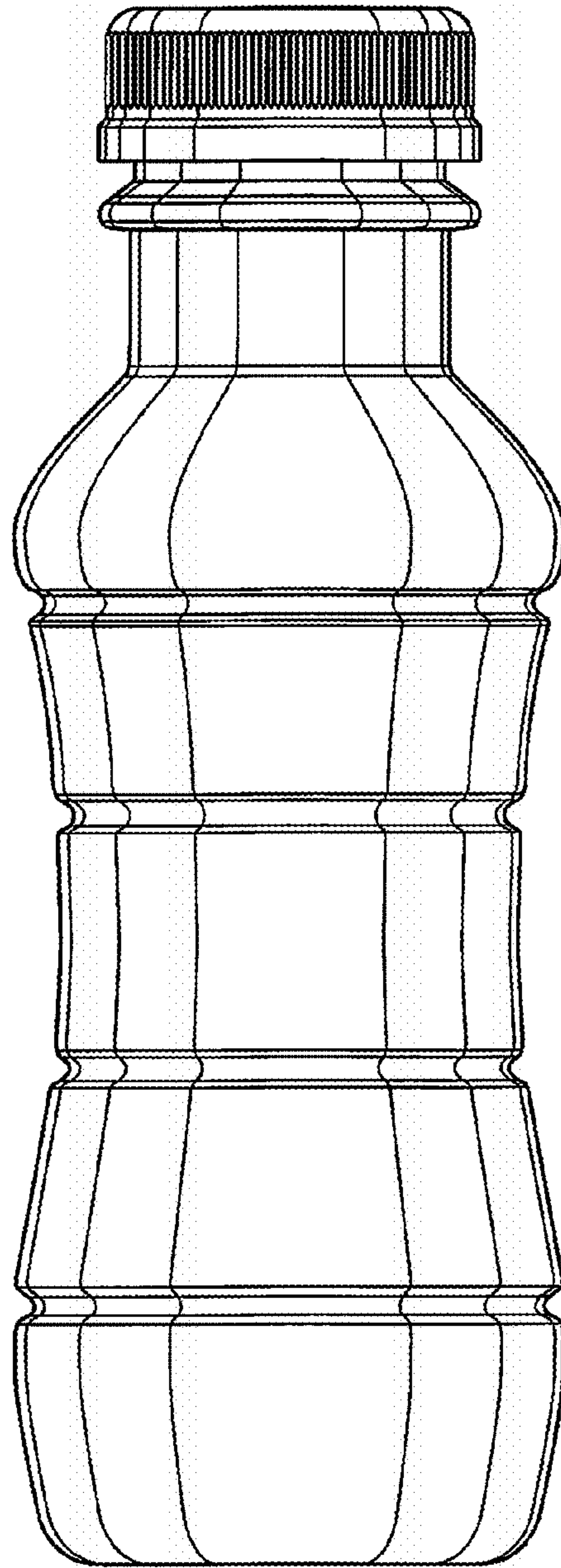


FIG. 3

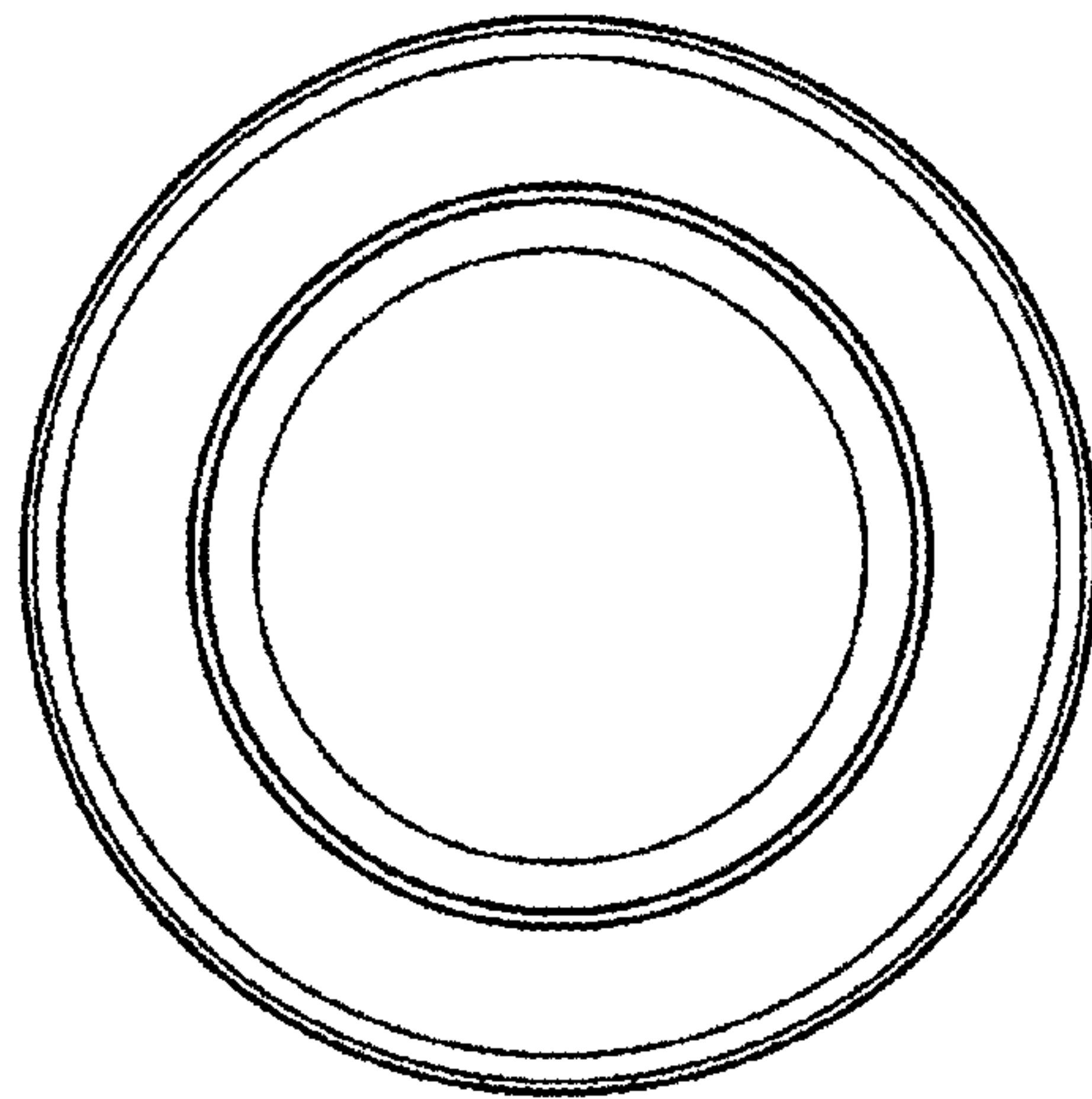


FIG. 4

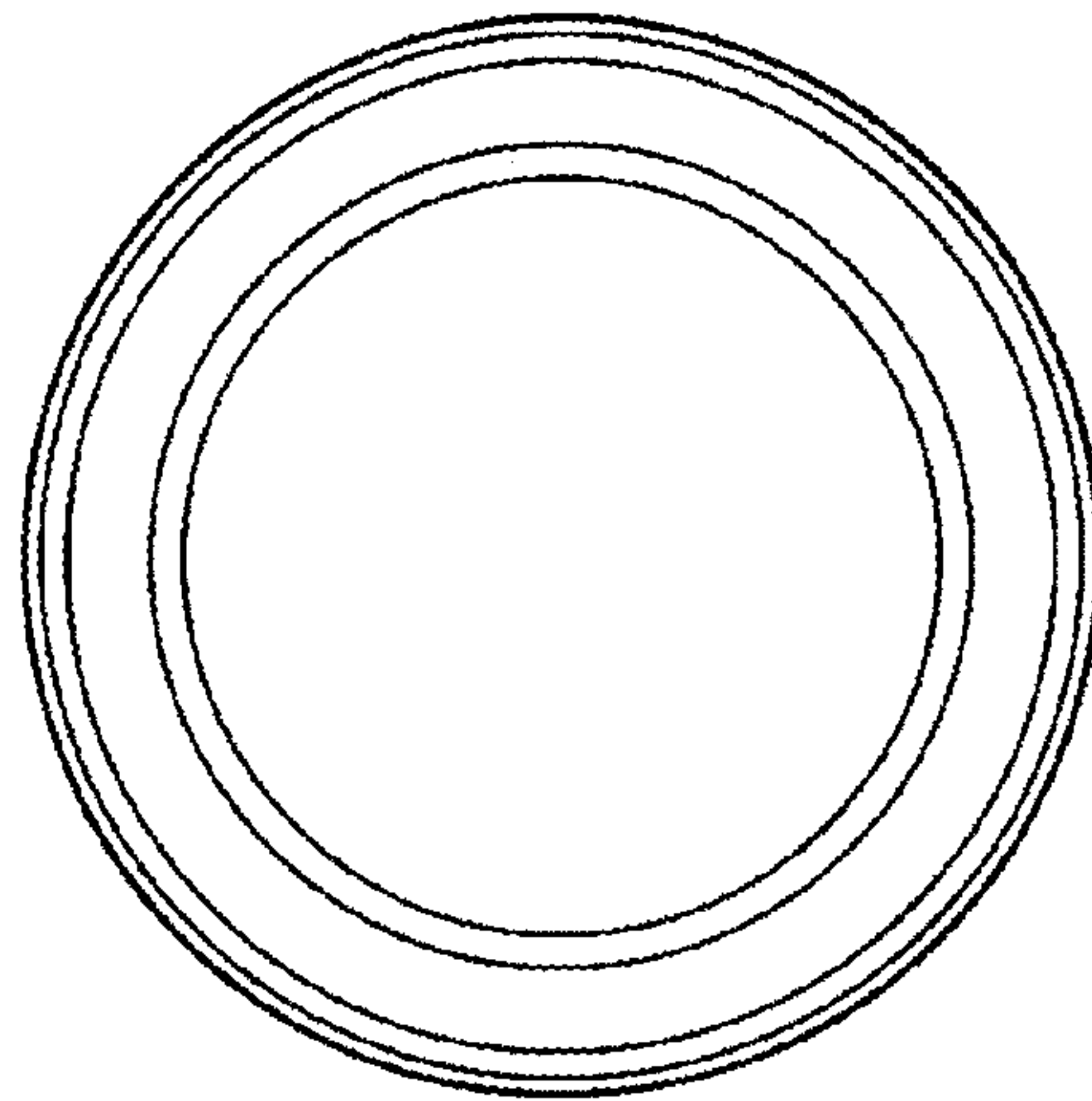


FIG. 5