

US00D746684S

(12) **United States Design Patent**  
**Johnson**

(10) **Patent No.:** **US D746,684 S**

(45) **Date of Patent:** **\*\* Jan. 5, 2016**

(54) **CHIP BAG HOLDER**

(71) Applicant: **Evan M. Johnson**, Ooltewah, TN (US)

(72) Inventor: **Evan M. Johnson**, Ooltewah, TN (US)

(\*\*) Term: **14 Years**

(21) Appl. No.: **29/495,888**

(22) Filed: **Jul. 7, 2014**

(51) **LOC (10) Cl.** ..... **09-07**

(52) **U.S. Cl.**

USPC ..... **D9/455**; D9/456

(58) **Field of Classification Search**

USPC ..... D2/624, 641, 643; D3/215, 318;  
D7/394; D8/373, 354; D9/434, 435,  
D9/443, 455, 456, 499, 718, 722;  
D11/201; 24/104; 43/5; 81/426.5;  
223/111; 224/667; 292/76, 80, 87;  
294/24, 104, 137

CPC ..... A45F 5/1026; A45F 2005/1033; A45F  
5/102; B65G 7/12; F17C 2205/0165

See application file for complete search history.

(56) **References Cited**

**U.S. PATENT DOCUMENTS**

D137,712 S \* 4/1944 Miano ..... D9/434  
D269,253 S \* 6/1983 Gagnon ..... D9/434  
D379,432 S \* 5/1997 Santini ..... D9/434  
D380,670 S \* 7/1997 Blocker ..... D9/434  
D386,409 S \* 11/1997 Santini ..... D9/434  
D388,326 S \* 12/1997 Gurry et al. .... D9/434  
D400,785 S \* 11/1998 Randall ..... D9/434  
D417,393 S \* 12/1999 DiMeo et al. .... D9/434

D421,221 S \* 2/2000 O’Kane ..... D9/434  
D441,651 S \* 5/2001 Nygren ..... D9/434  
D441,653 S \* 5/2001 LeRoux ..... D9/434  
D448,665 S \* 10/2001 Lenczowski ..... D9/434  
D458,130 S \* 6/2002 Ronne et al. .... D9/434  
D528,413 S \* 9/2006 Baum ..... D9/434  
D595,130 S \* 6/2009 Bizzell ..... D9/434  
D697,403 S \* 1/2014 Rendo ..... D9/434  
D702,120 S \* 4/2014 Rendo ..... D9/434  
D702,550 S \* 4/2014 Rendo ..... D9/434  
D709,760 S \* 7/2014 Castell, Jr. .... D9/434

**OTHER PUBLICATIONS**

Alibaba. Dasein 3-Tier Metal Display Stand Rack. 2015 [online],  
[site visited Aug. 20,2015]. Available from Internet, <URL:http://  
www.alibaba.com/product-detail/Dasein-3-tier-Clutch-Purse-  
Handbag\_60211679062.html>.\*

\* cited by examiner

*Primary Examiner* — Robert M Spear  
*Assistant Examiner* — Darcey E Heflin

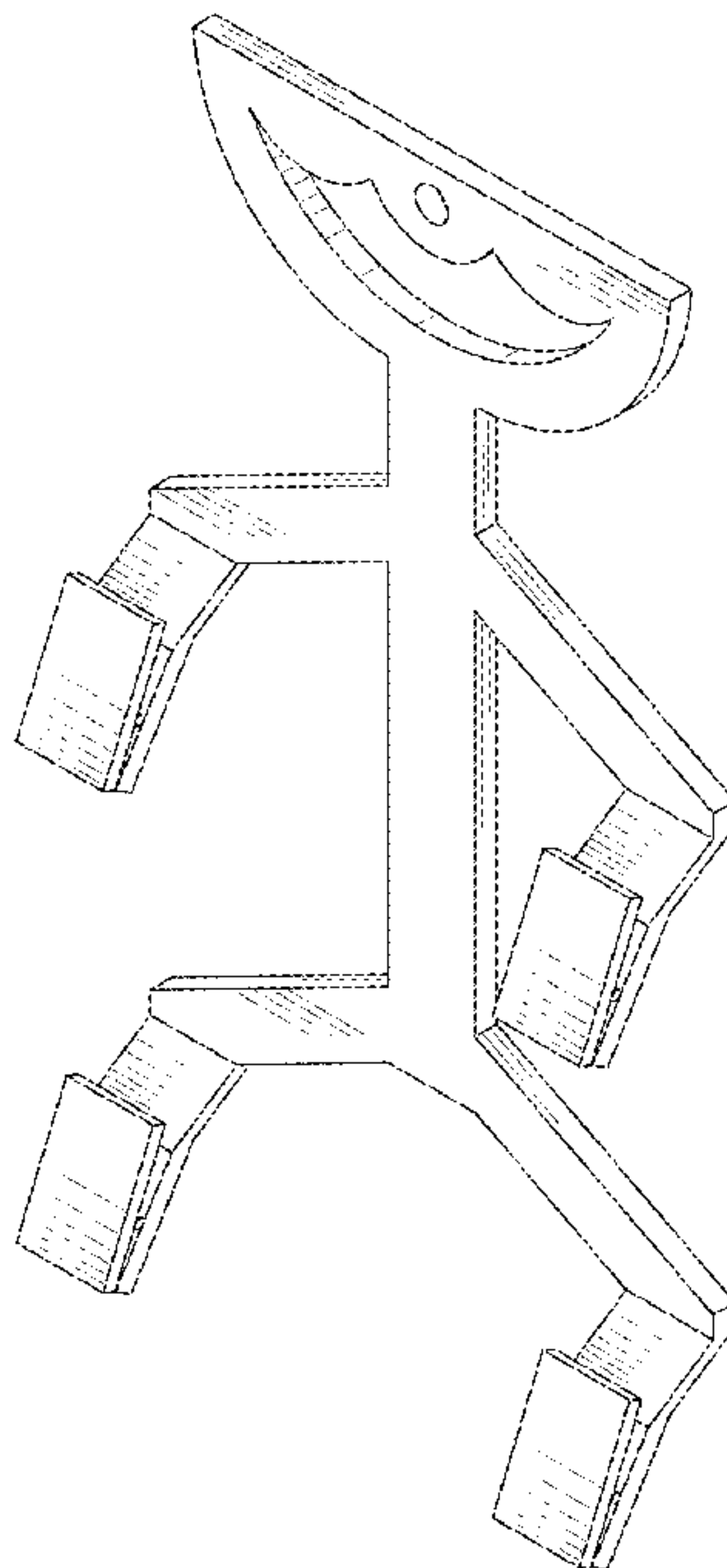
(57) **CLAIM**

The ornamental design for a chip bag holder, as shown and  
described.

**DESCRIPTION**

FIG. 1 is a perspective view of a chip bag holder;  
FIG. 2 is a front elevational view thereof;  
FIG. 3 is a rear elevational view thereof;  
FIG. 4 is a left-side elevational view thereof;  
FIG. 5 is a right-side elevational view thereof;  
FIG. 6 is a top plan view thereof; and,  
FIG. 7 is a bottom plan view thereof.

**1 Claim, 7 Drawing Sheets**



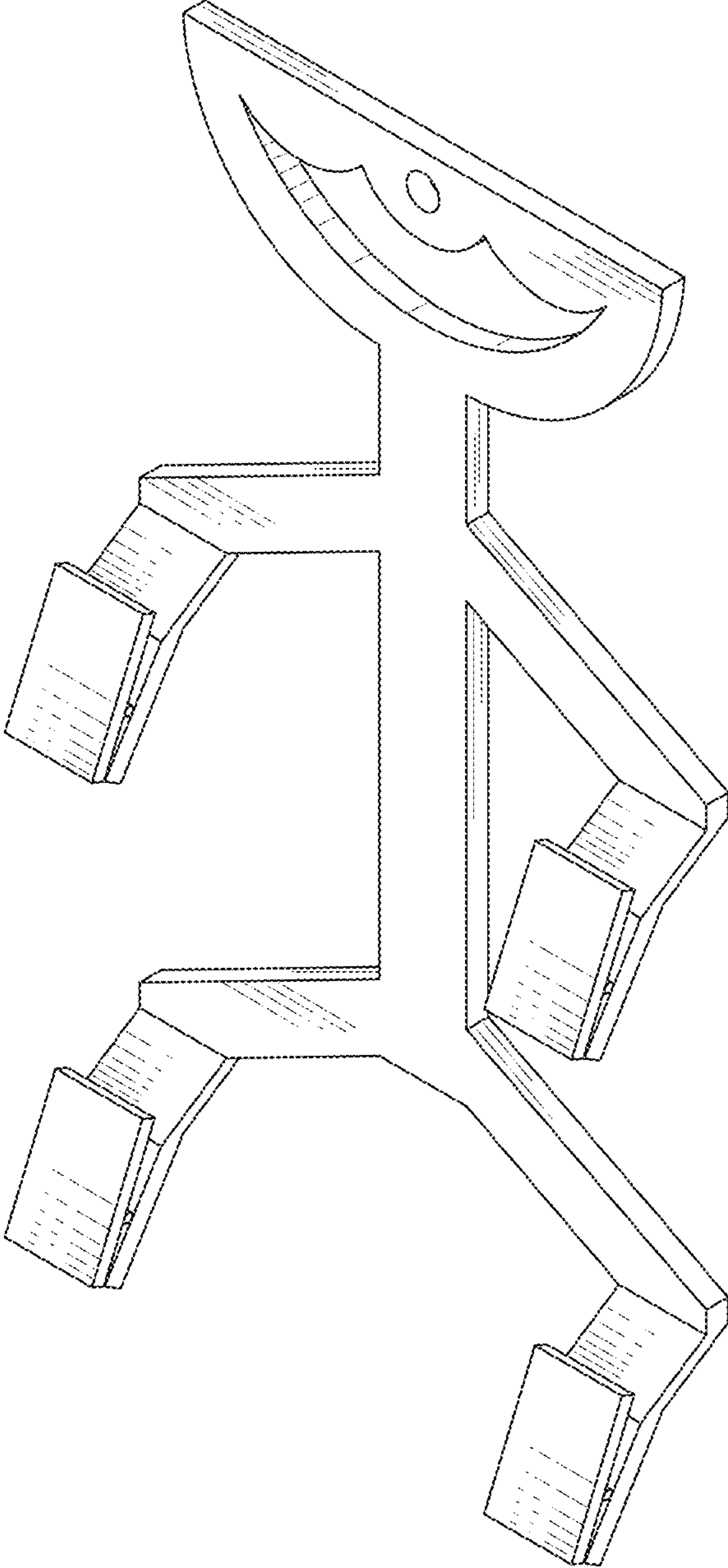


FIG. 1

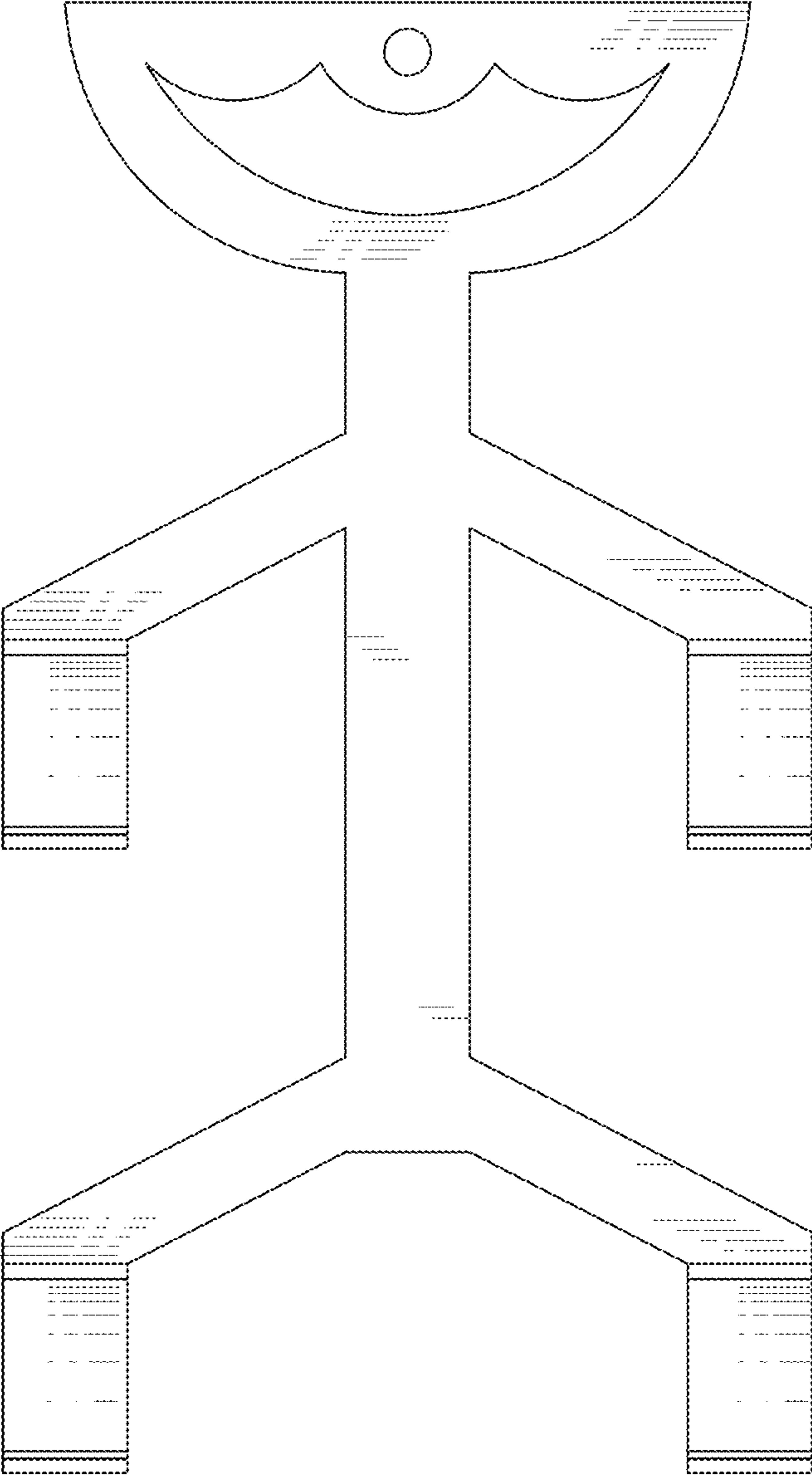


FIG. 2

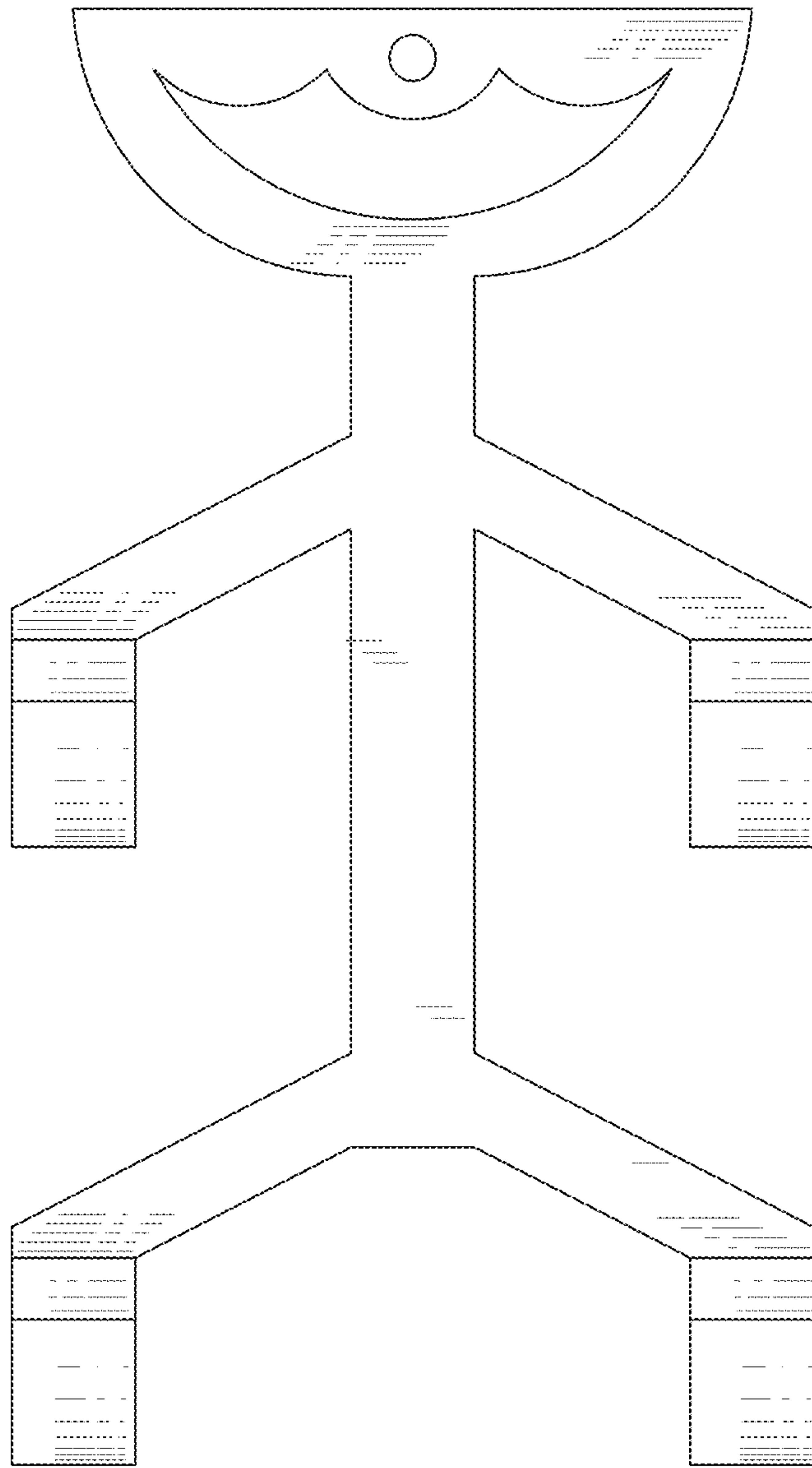


FIG. 3

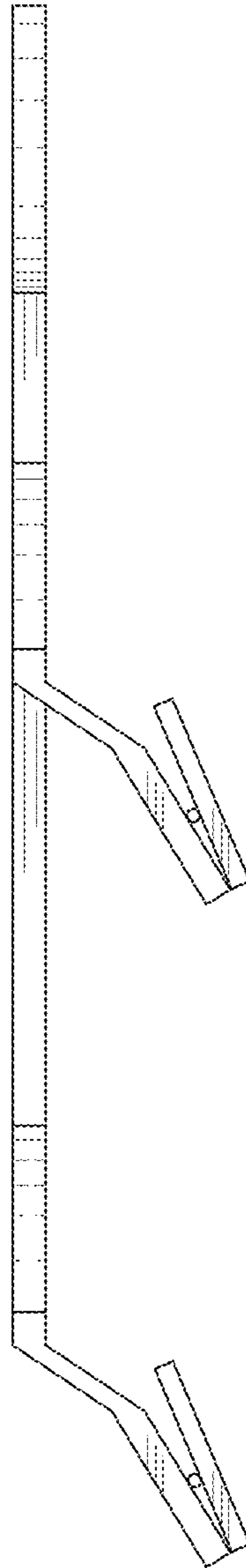


FIG. 4

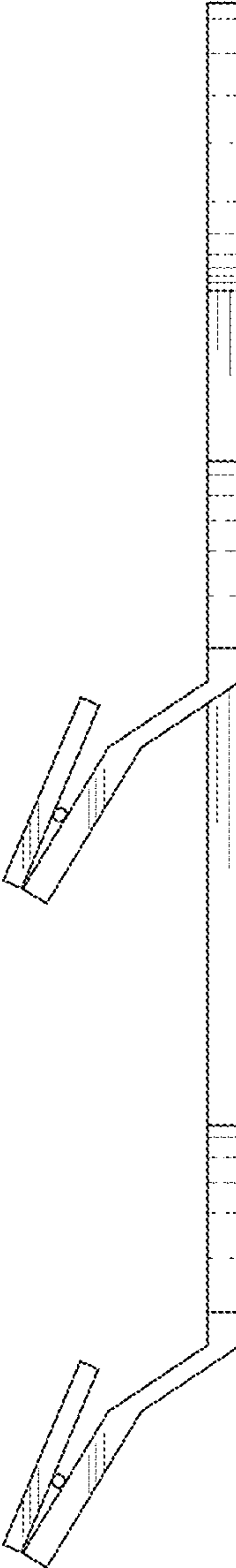


FIG. 5

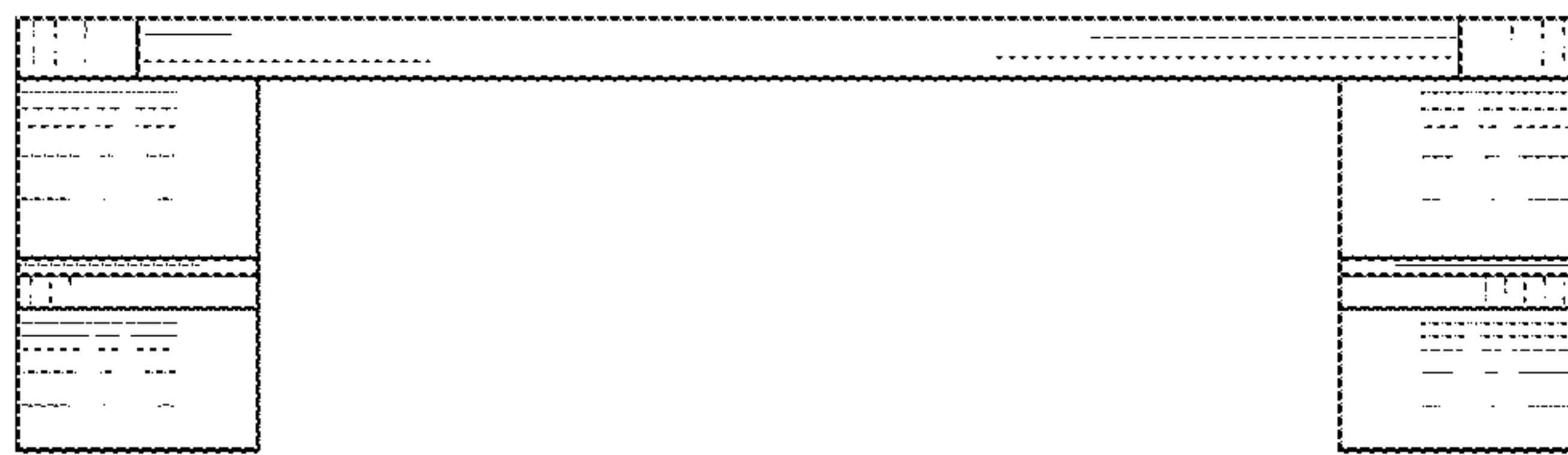


FIG. 6

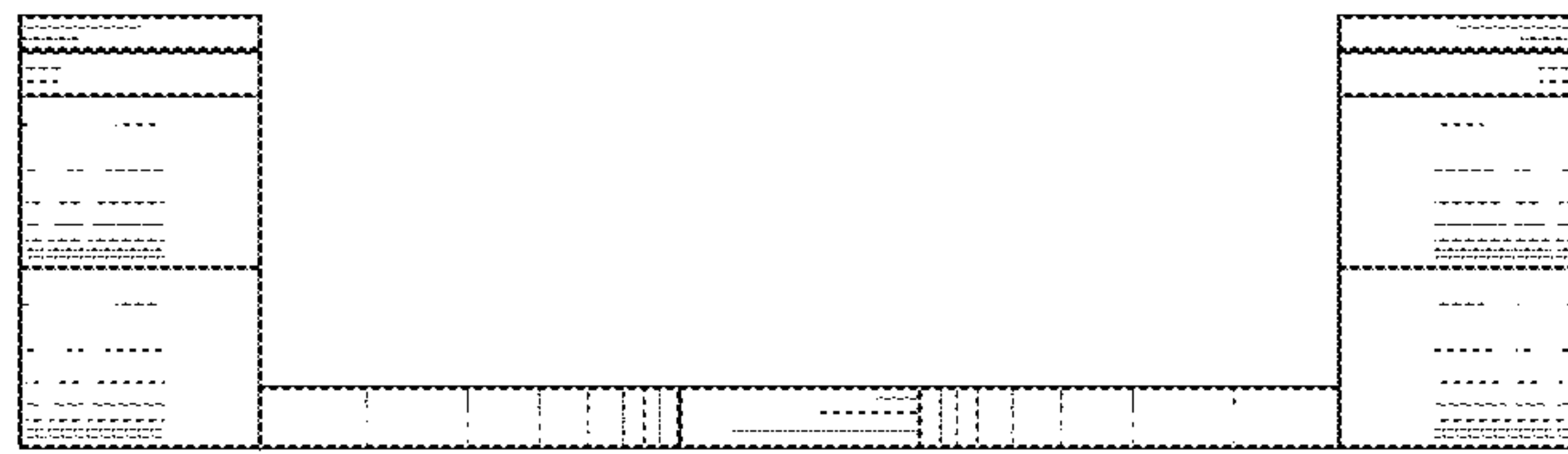


FIG. 7