



US00D746680S

(12) **United States Design Patent**
Orasche et al.

(10) **Patent No.:** **US D746,680 S**
(45) **Date of Patent:** **** Jan. 5, 2016**

(54) **SPRAY CAP FOR AEROSOL CONTAINERS**

(71) Applicant: **Aptar Dortmund GmbH**, Dortmund (DE)

(72) Inventors: **Magdalena Maria Orasche**, Freyung (DE); **Ralf Jordan**, Dortmund (DE)

(73) Assignee: **Aptar Dortmund GmbH**, Dortmund (DE)

(**) Term: **14 Years**

(21) Appl. No.: **29/496,437**

(22) Filed: **Jul. 13, 2014**

(30) **Foreign Application Priority Data**

Jan. 13, 2014 (EM) 002 383 273-0001
Jan. 13, 2014 (EM) 002 383 273-0002

(51) **LOC (10) Cl.** **09-07**

(52) **U.S. Cl.**
USPC **D9/448; D9/688**

(58) **Field of Classification Search**
USPC D7/213, 387; D9/435, 439, 443, 445, D9/447, 448, 449, 450, 456, 455, 457, 682, D9/685, 686, 688, 739, 759; D23/213, D23/226, 229; D24/113, 224; 40/307; 222/207, 321.1, 321.7, 321.9, 383.1, 222/383.2, 383.3; 239/331, 333
CPC B05B 11/059; B05B 11/3005; B05B 11/3028; B05B 11/3029; B05B 11/3056; B05B 1/22; B05B 3/00; B05B 7/00; B67D 7/005; B67D 7/60

See application file for complete search history.

(56) **References Cited**

U.S. PATENT DOCUMENTS

D413,514 S * 9/1999 Pericard D9/445
D447,948 S * 9/2001 Pannozzo D9/448
D471,106 S * 3/2003 Pannozzo D9/448

D478,284 S * 8/2003 Pannozzo D9/448
D478,285 S * 8/2003 Pannozzo D9/448
D538,651 S * 3/2007 Nukuto D9/448
D565,947 S * 4/2008 Downey D9/448
D575,153 S * 8/2008 Caroen D9/448
D581,270 S * 11/2008 Gonzalez D9/448
D587,576 S * 3/2009 Miller D9/448
7,530,476 B2 * 5/2009 Downey B65D 83/205
222/153.04

(Continued)

FOREIGN PATENT DOCUMENTS

EM 000729306-0004 * 6/2007

Primary Examiner — Thomas Johannes

Assistant Examiner — Catherine Posthauer

(74) *Attorney, Agent, or Firm* — Sheridan Ross, PC

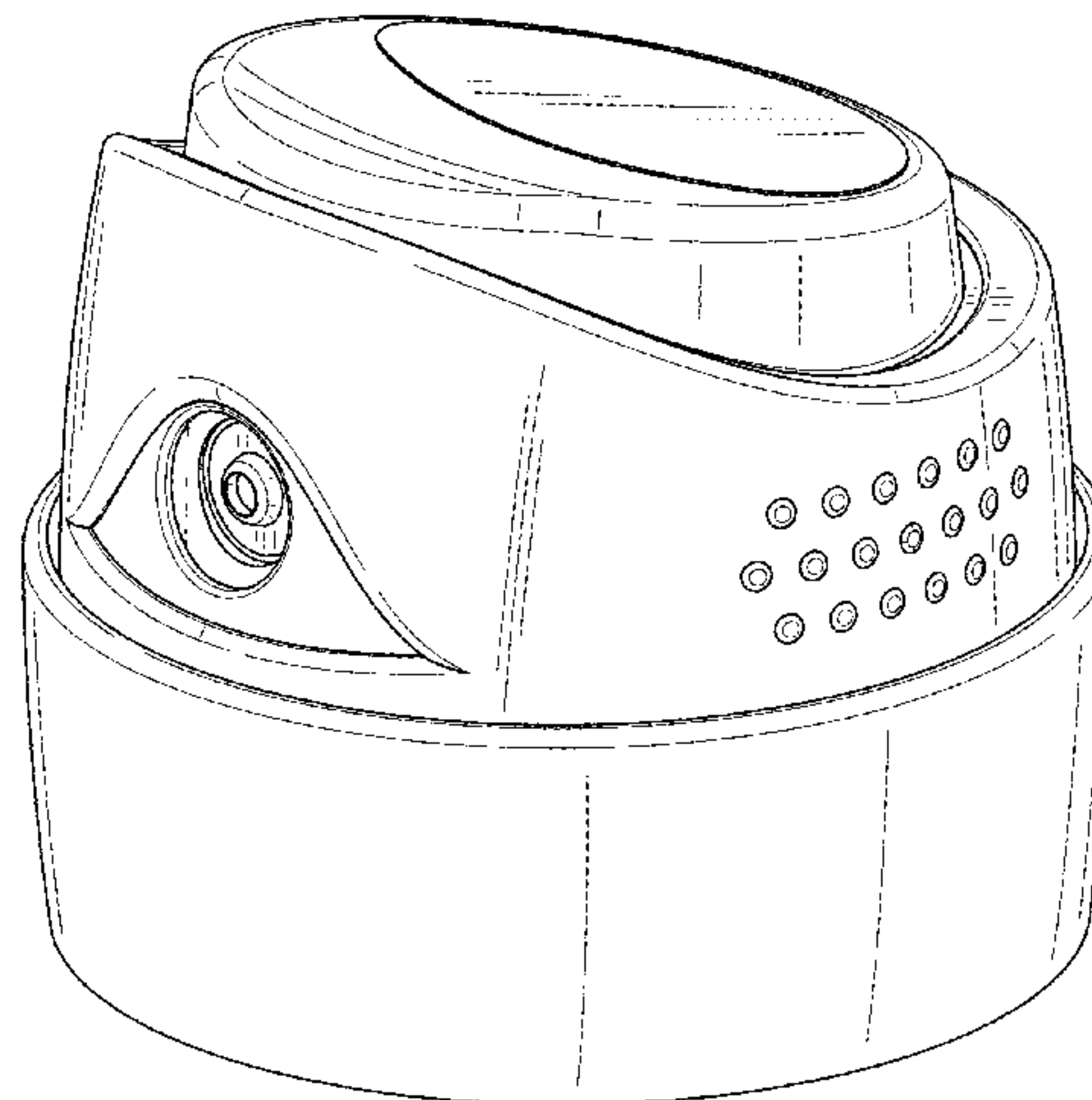
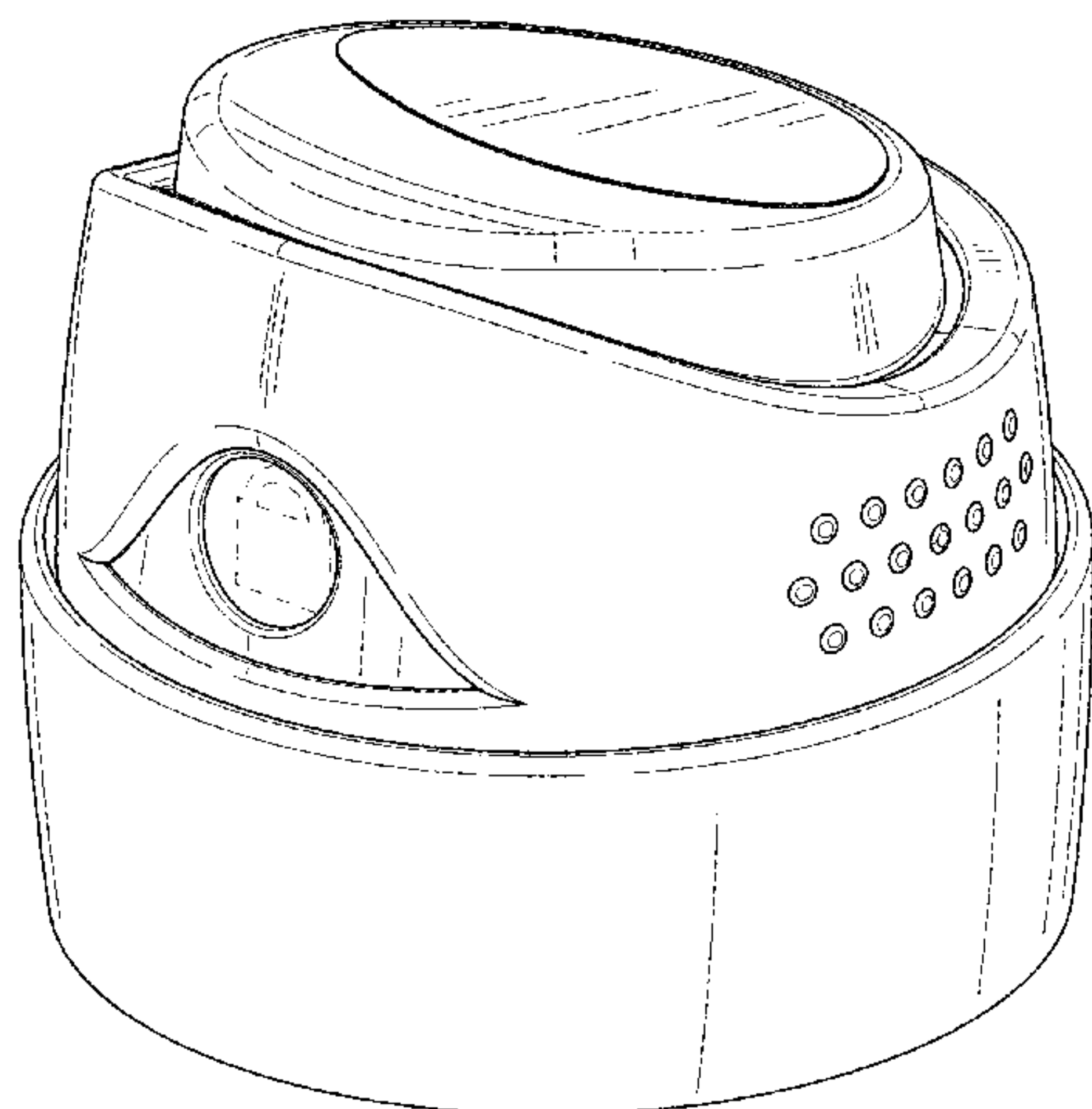
(57) **CLAIM**

The ornamental design for a spray cap for aerosol containers, as shown and described.

DESCRIPTION

FIG. 1 is an enlarged perspective view of a spray cap for aerosol containers showing our new design; FIG. 2 is a front elevation view thereof; FIG. 3 is a rear elevation view thereof; FIG. 4 is a left elevation view thereof; FIG. 5 is a right elevation view thereof; FIG. 6 is a top plan view thereof; FIG. 7 is a bottom plan view thereof; FIG. 8 is an enlarged perspective view thereof, in a second position of use; FIG. 9 is a front elevation view thereof; FIG. 10 is a rear elevation view thereof; FIG. 11 is a left elevation view thereof; FIG. 12 is a right elevation view thereof; FIG. 13 is a top plan view thereof; and, FIG. 14 is a bottom plan view thereof. The broken lines are shown for the purpose of illustrating portions of the article that form no part of the claimed design.

1 Claim, 8 Drawing Sheets



(56)

References Cited

U.S. PATENT DOCUMENTS

D627,638 S * 11/2010 Bodet D9/448
D659,535 S * 5/2012 Gidlow D9/448
D664,432 S * 7/2012 Jordan D9/448
D665,668 S * 8/2012 Cho D9/448
D666,491 S * 9/2012 Adams B65D 83/205
D9/445
D675,060 S * 1/2013 Lane D7/392.1
8,453,875 B2 * 6/2013 Neuhaus B05B 11/007

222/1
D686,917 S * 7/2013 Seng D9/448
D712,278 S * 9/2014 Adams D9/688
8,863,994 B2 * 10/2014 Neuhaus B05B 11/0027
222/402.13
D717,649 S * 11/2014 Bloc D9/448
D718,625 S * 12/2014 Trevisan D9/448
D721,275 S * 1/2015 Thijssen D9/448
D729,569 S * 5/2015 Herbst D7/392
2008/0164285 A1 * 7/2008 Hygema B65D 83/205
222/153.11

* cited by examiner

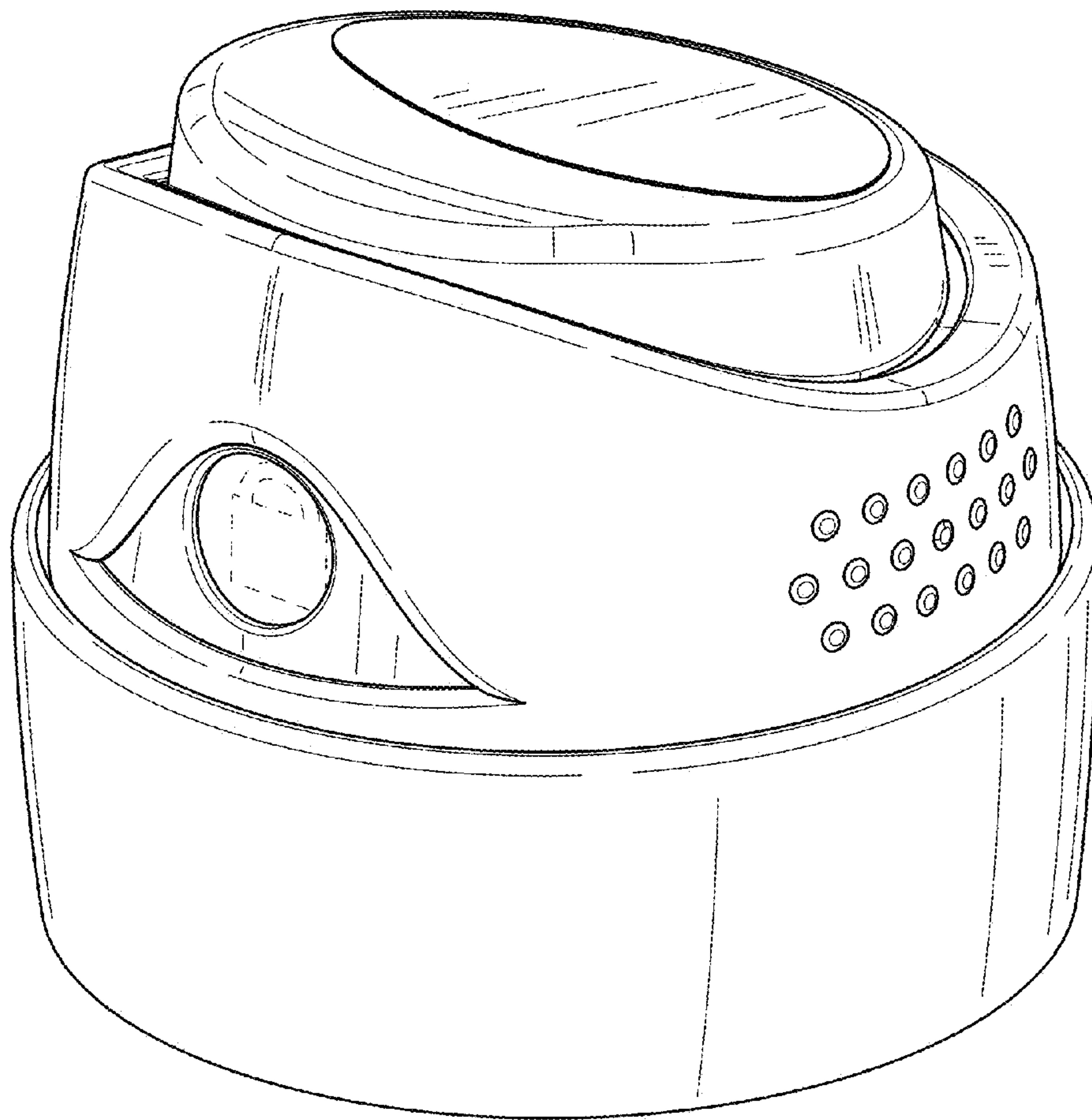


FIG.1

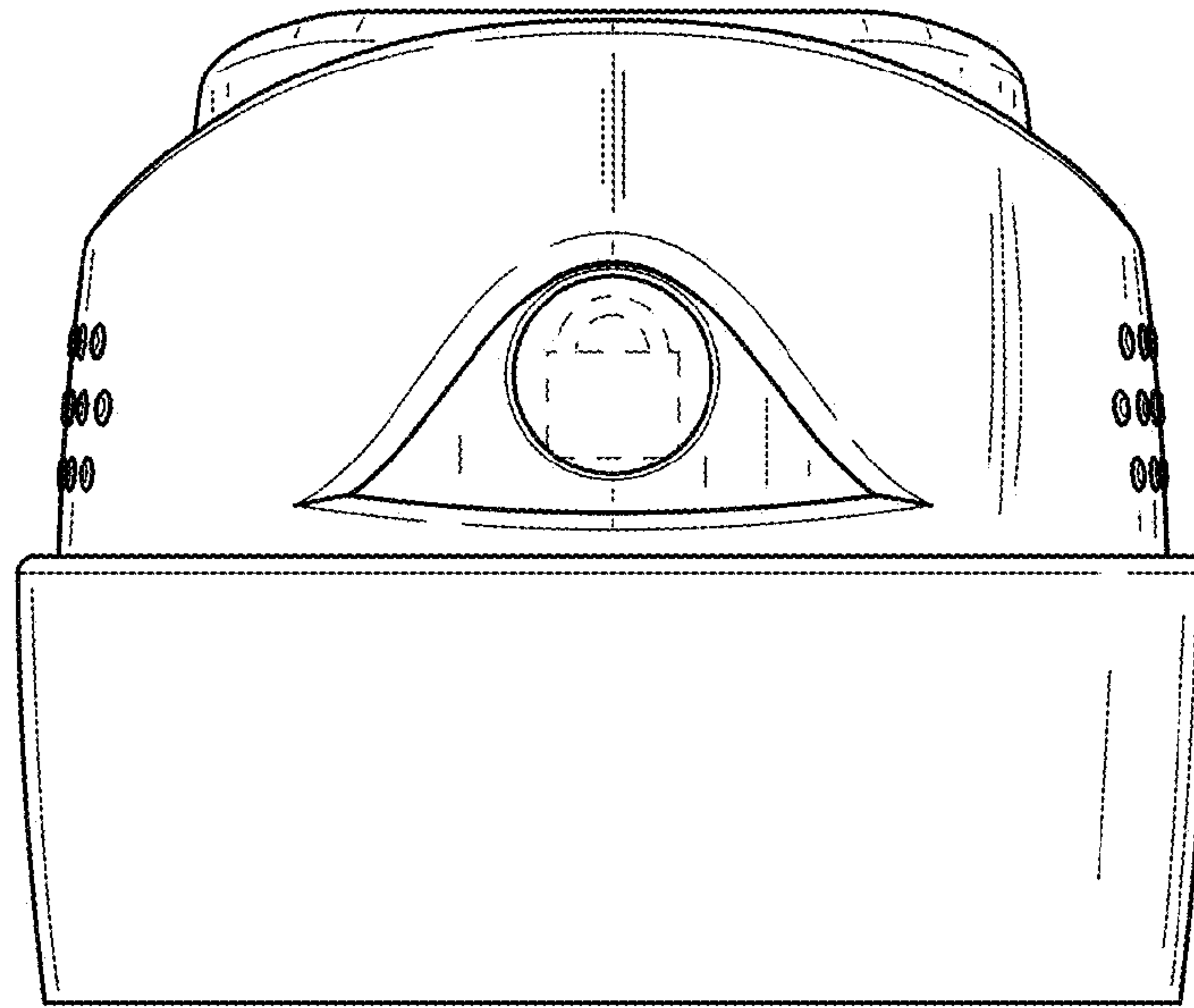


FIG. 2

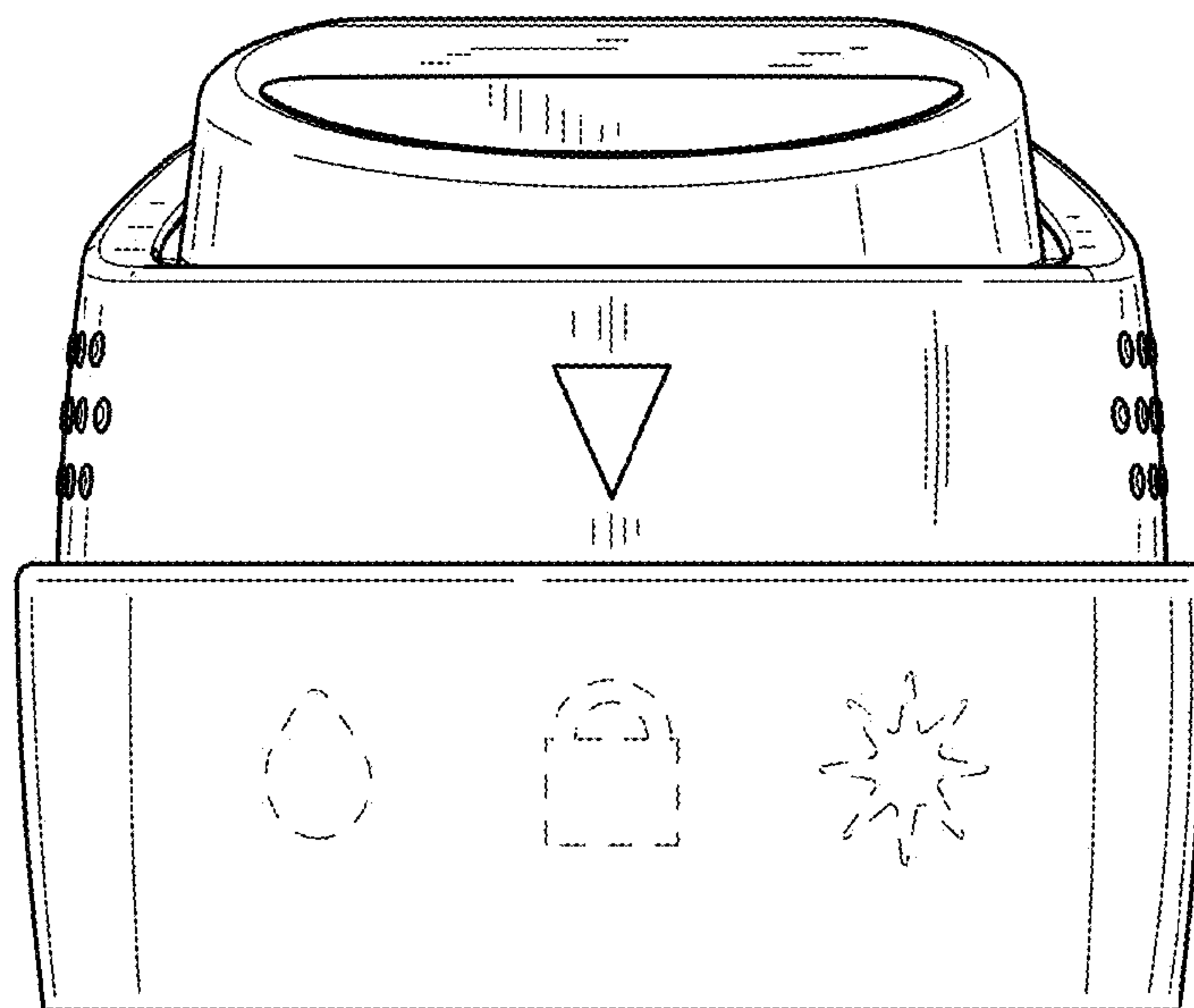


FIG. 3

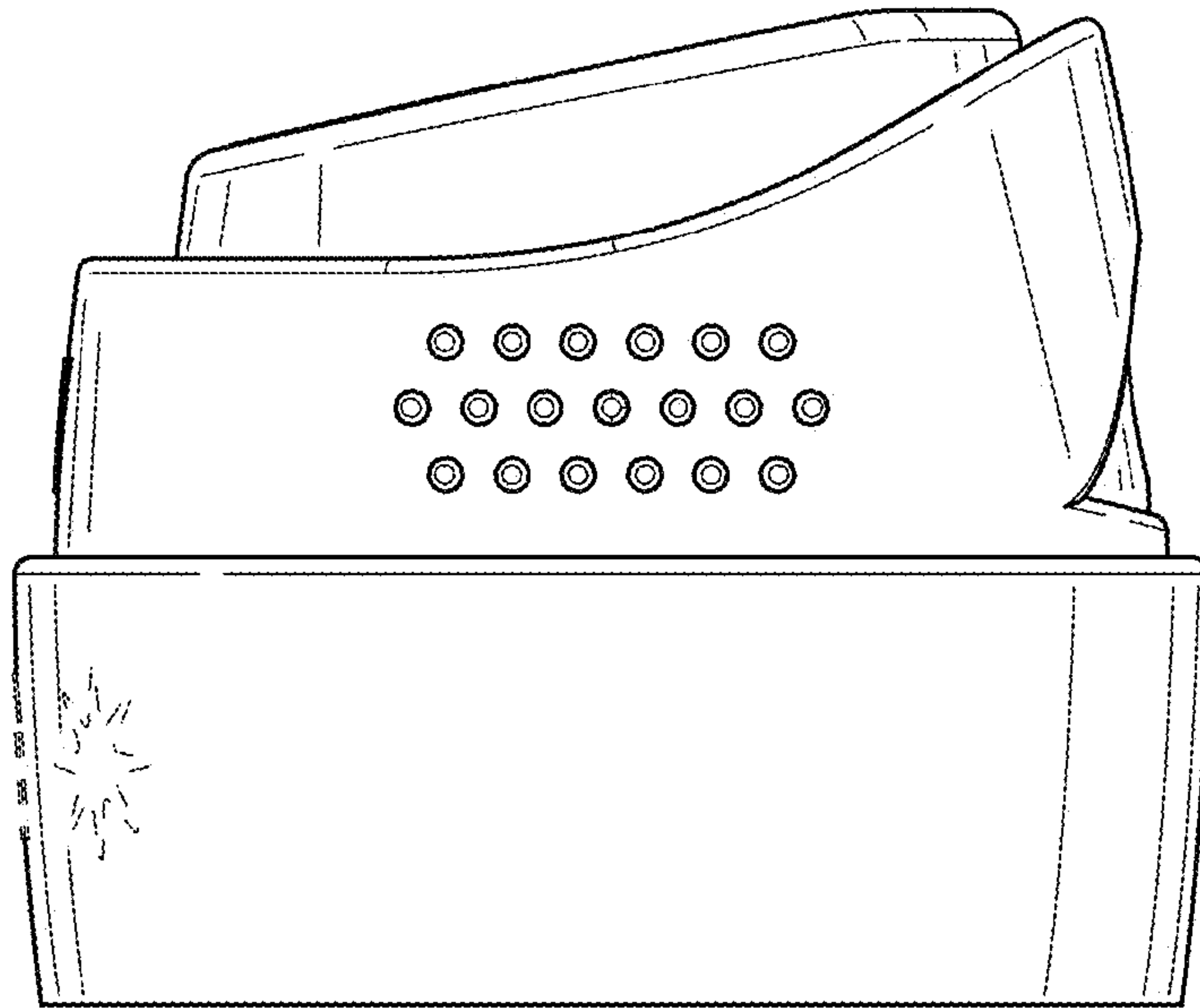


FIG. 4

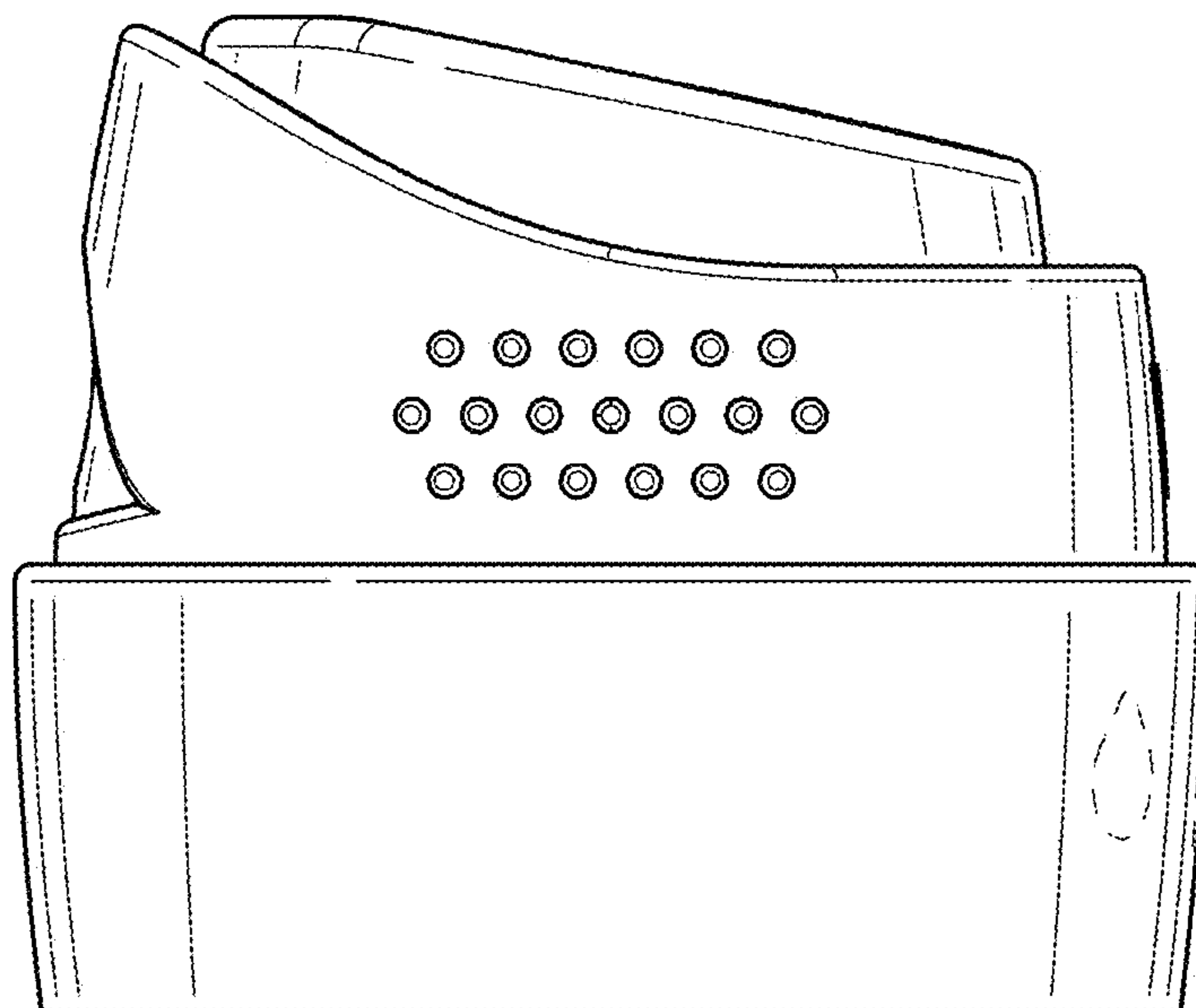


FIG. 5

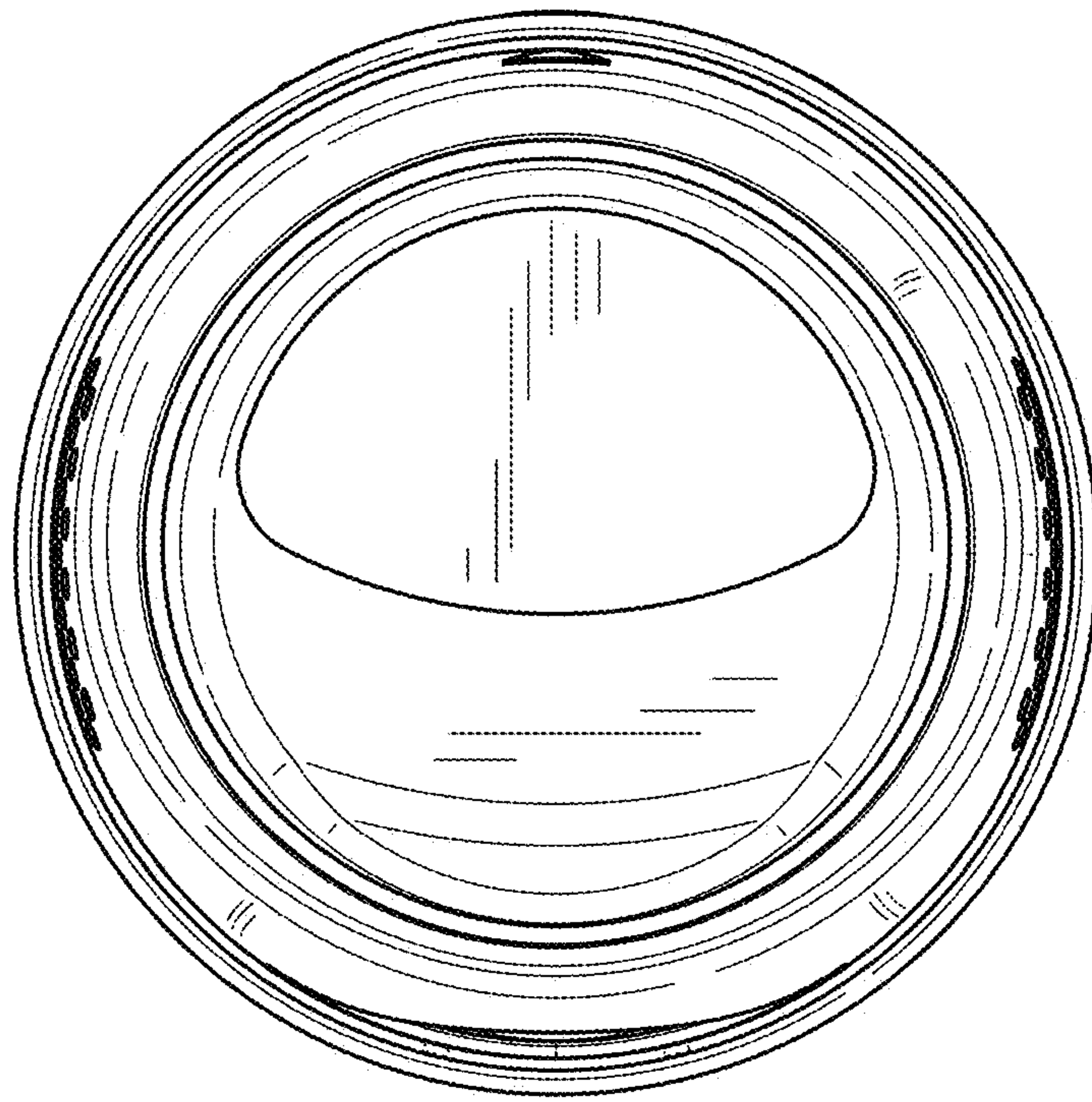


FIG. 6

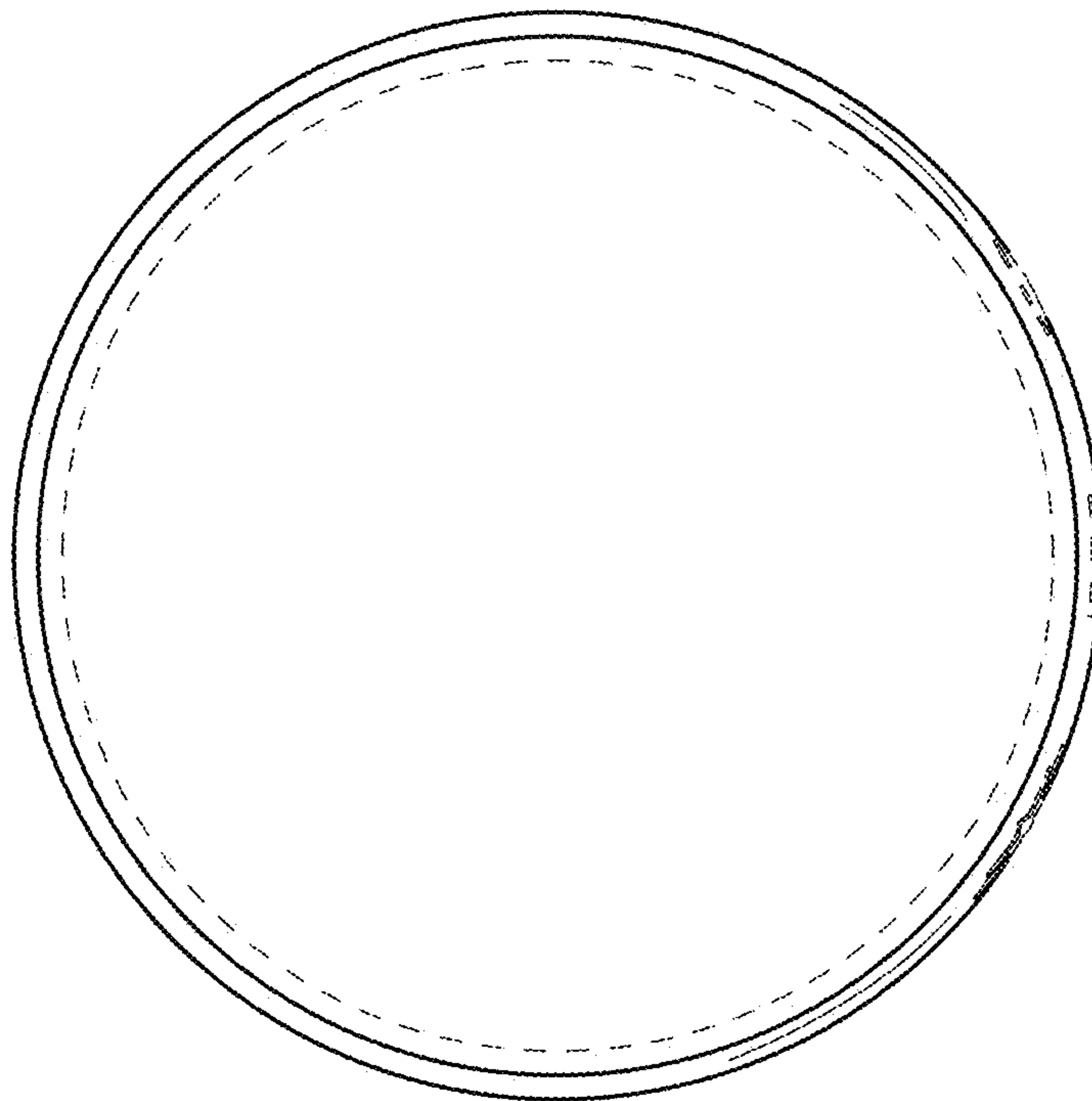


FIG. 7

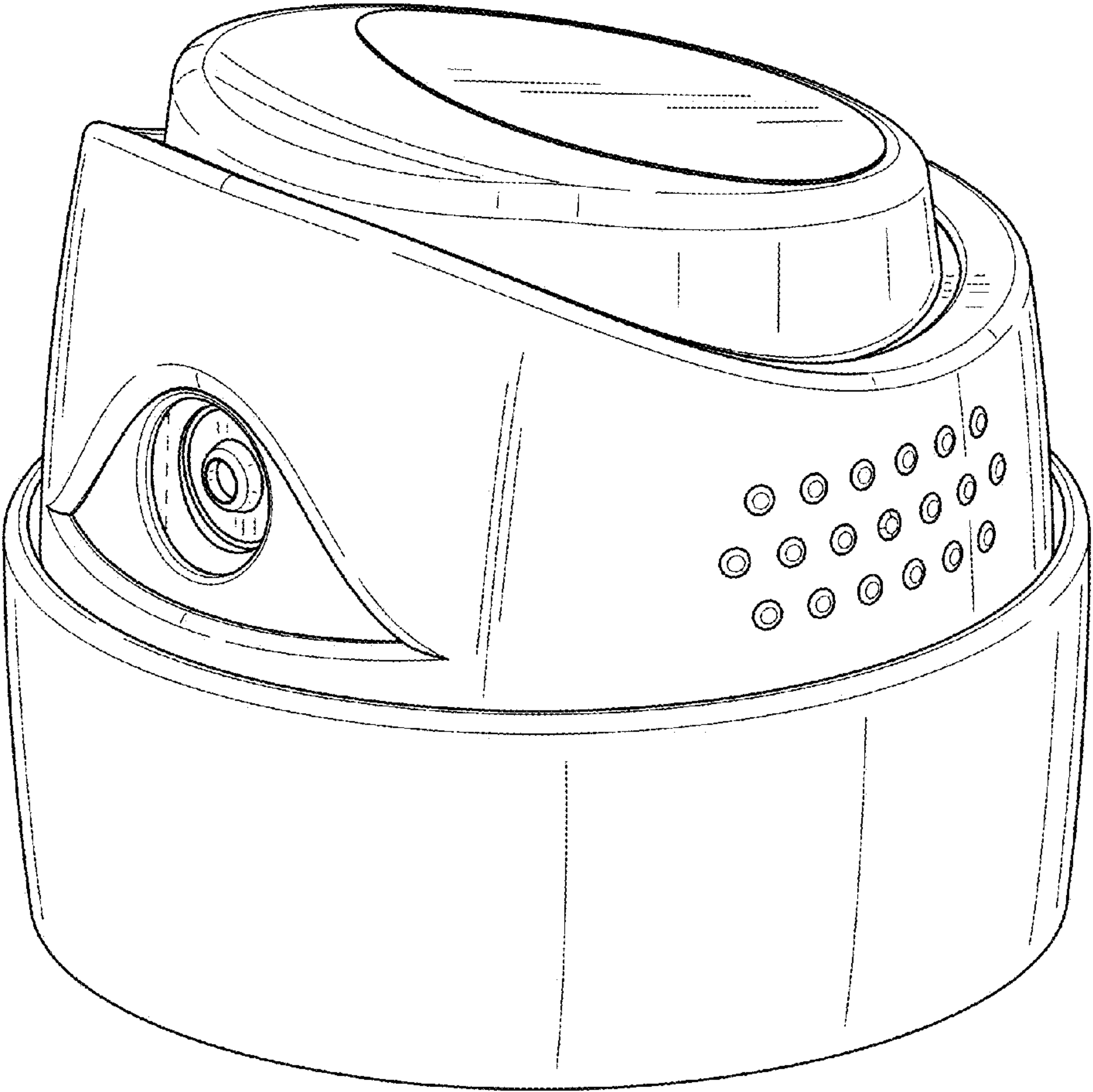


FIG.8

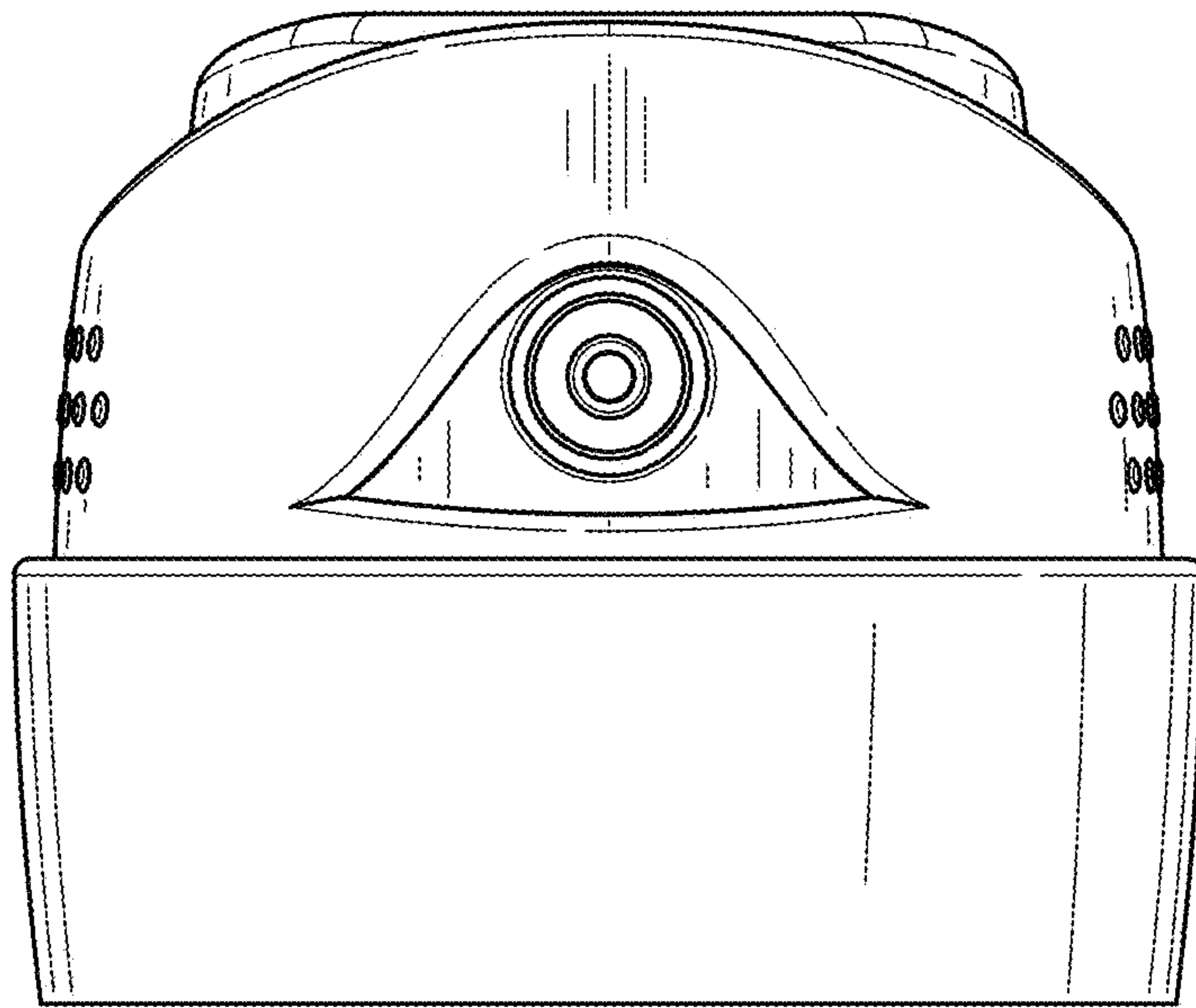


FIG. 9

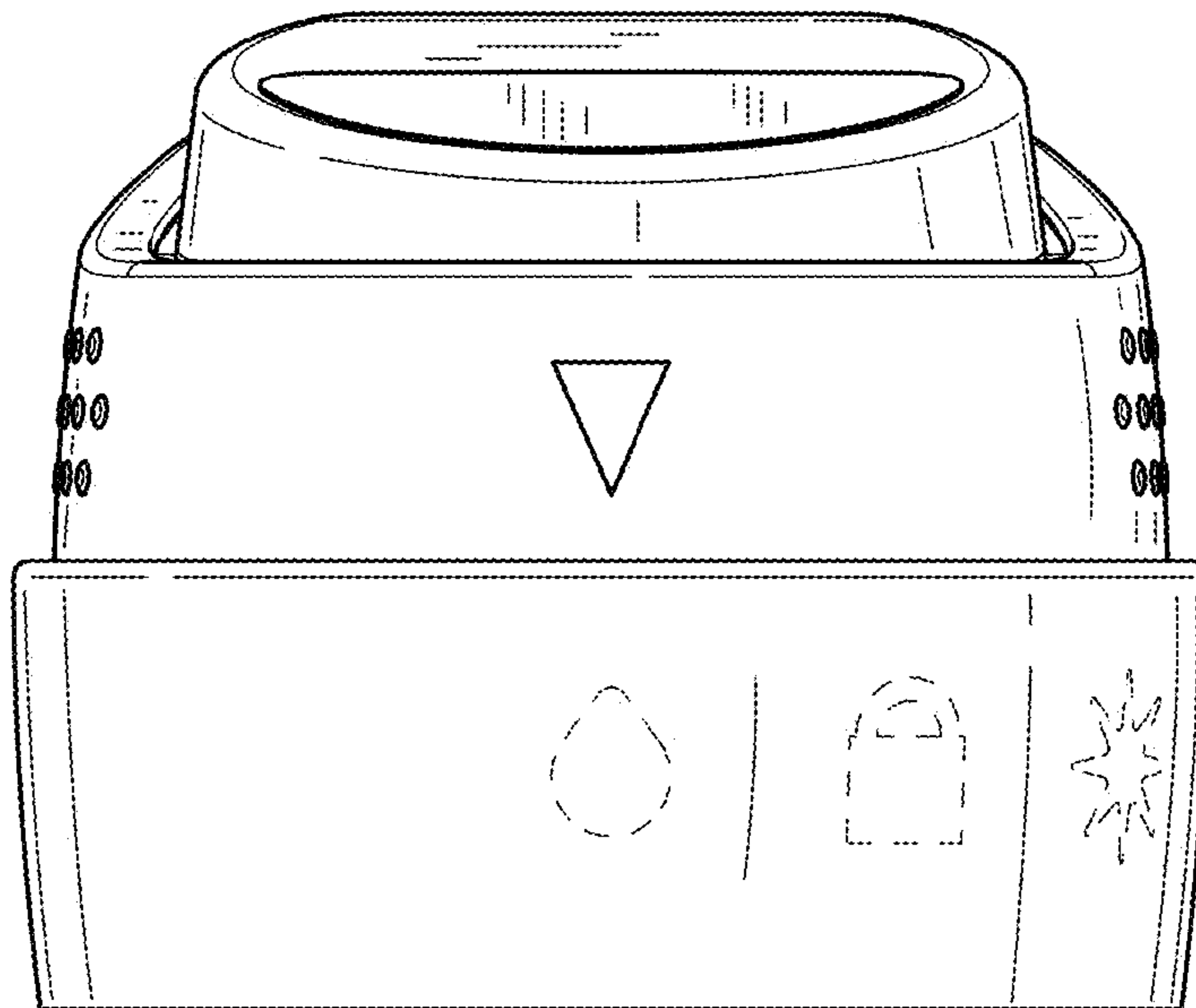


FIG. 10

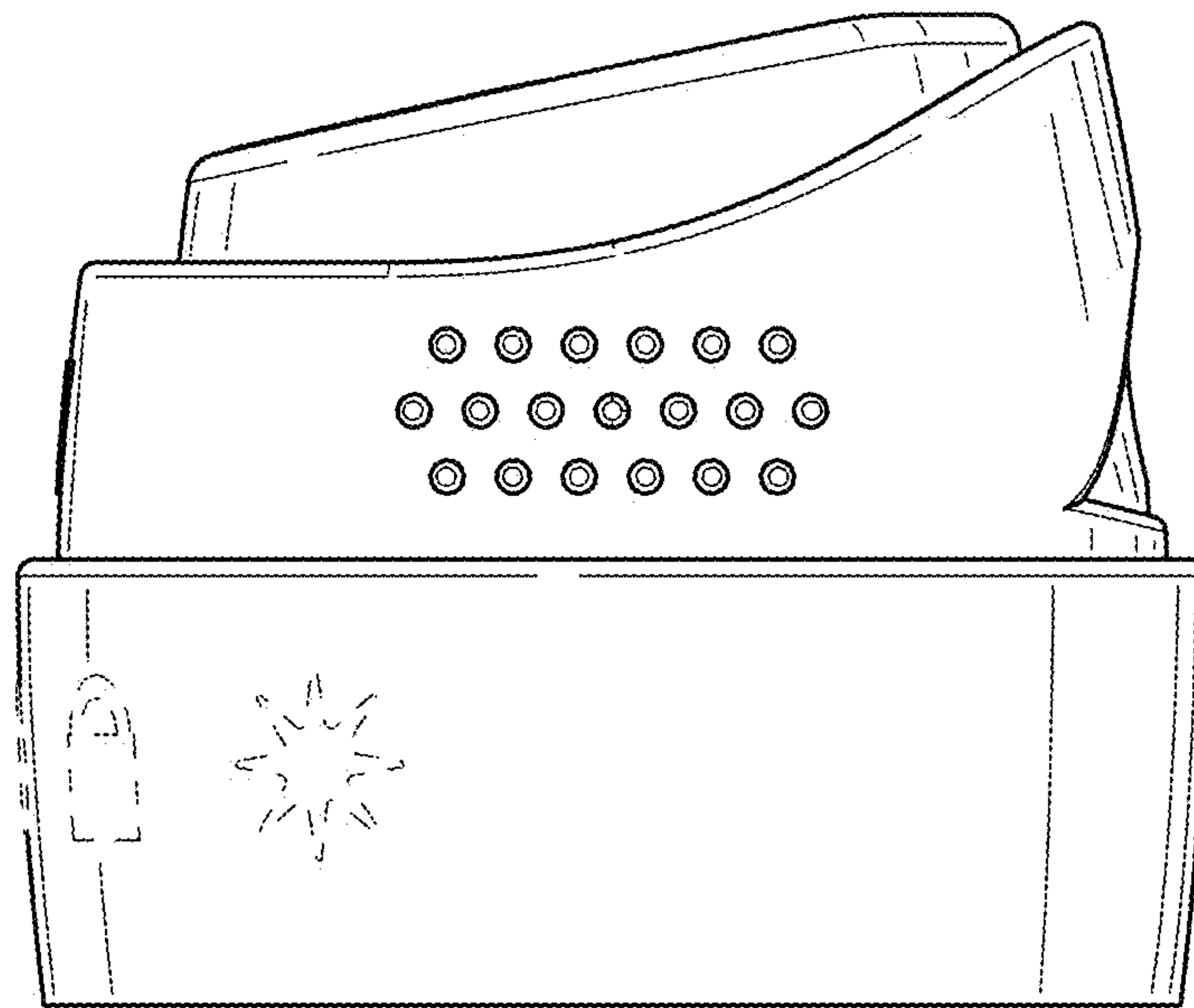


FIG. 11

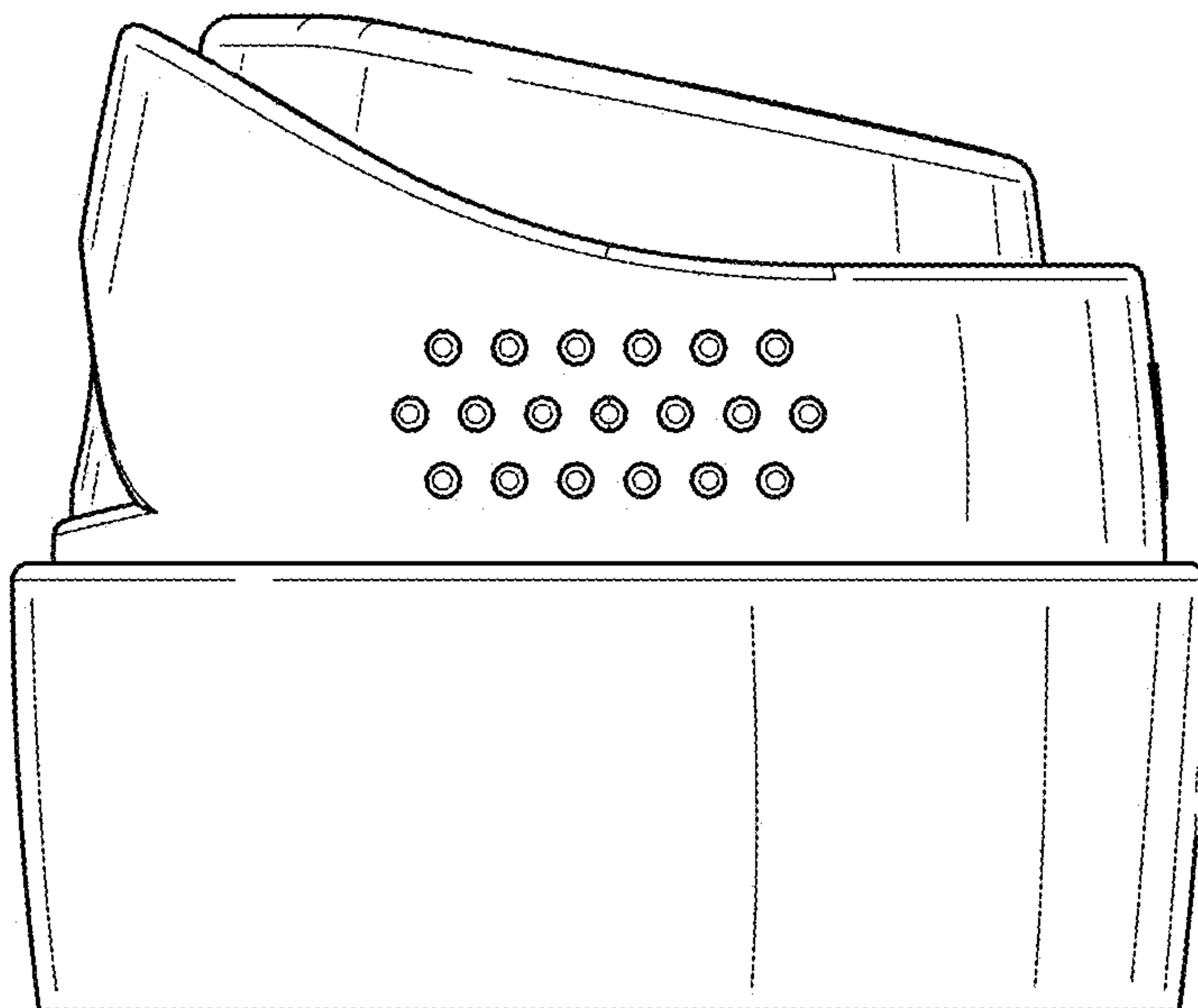


FIG. 12

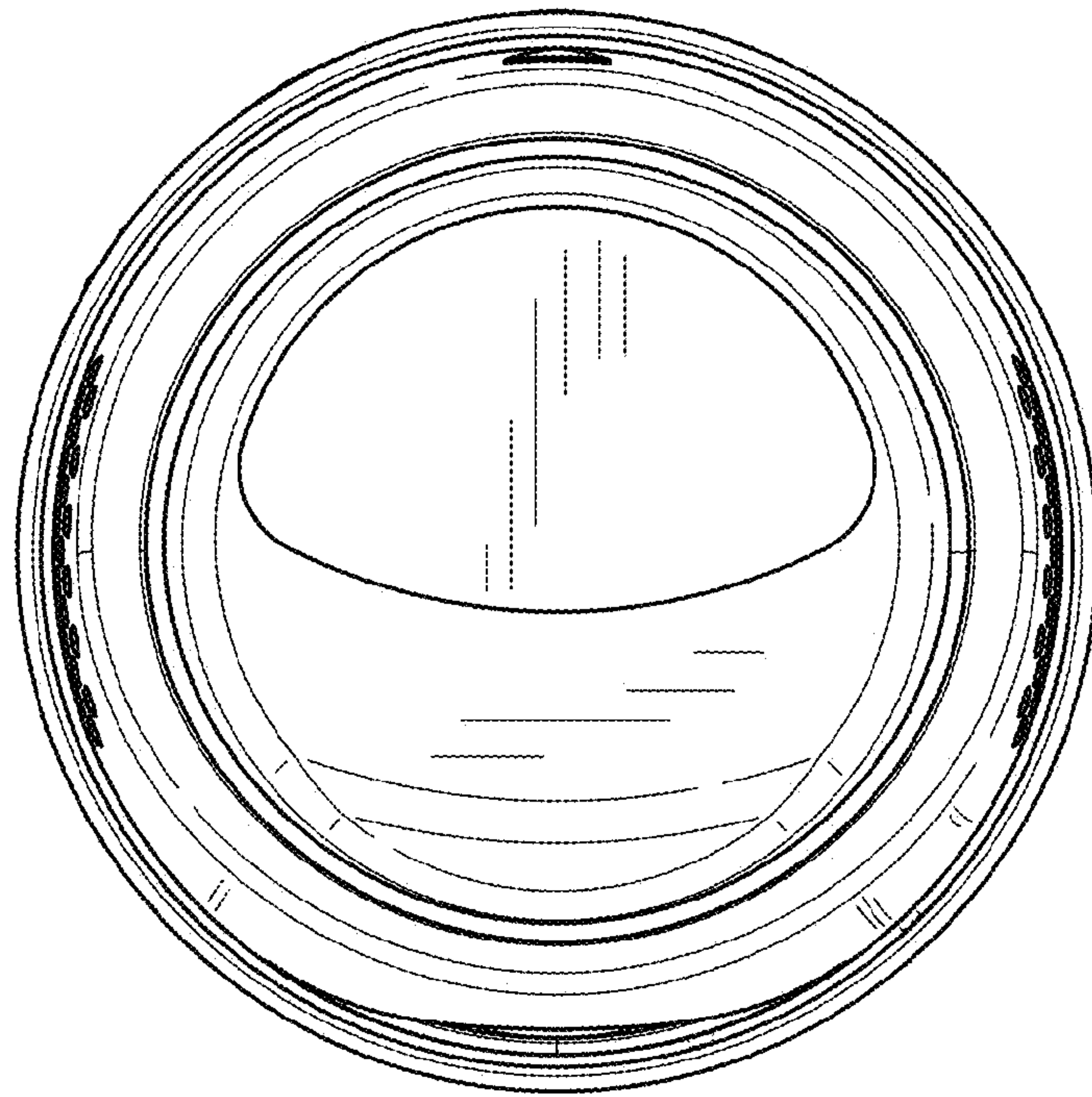


FIG. 13

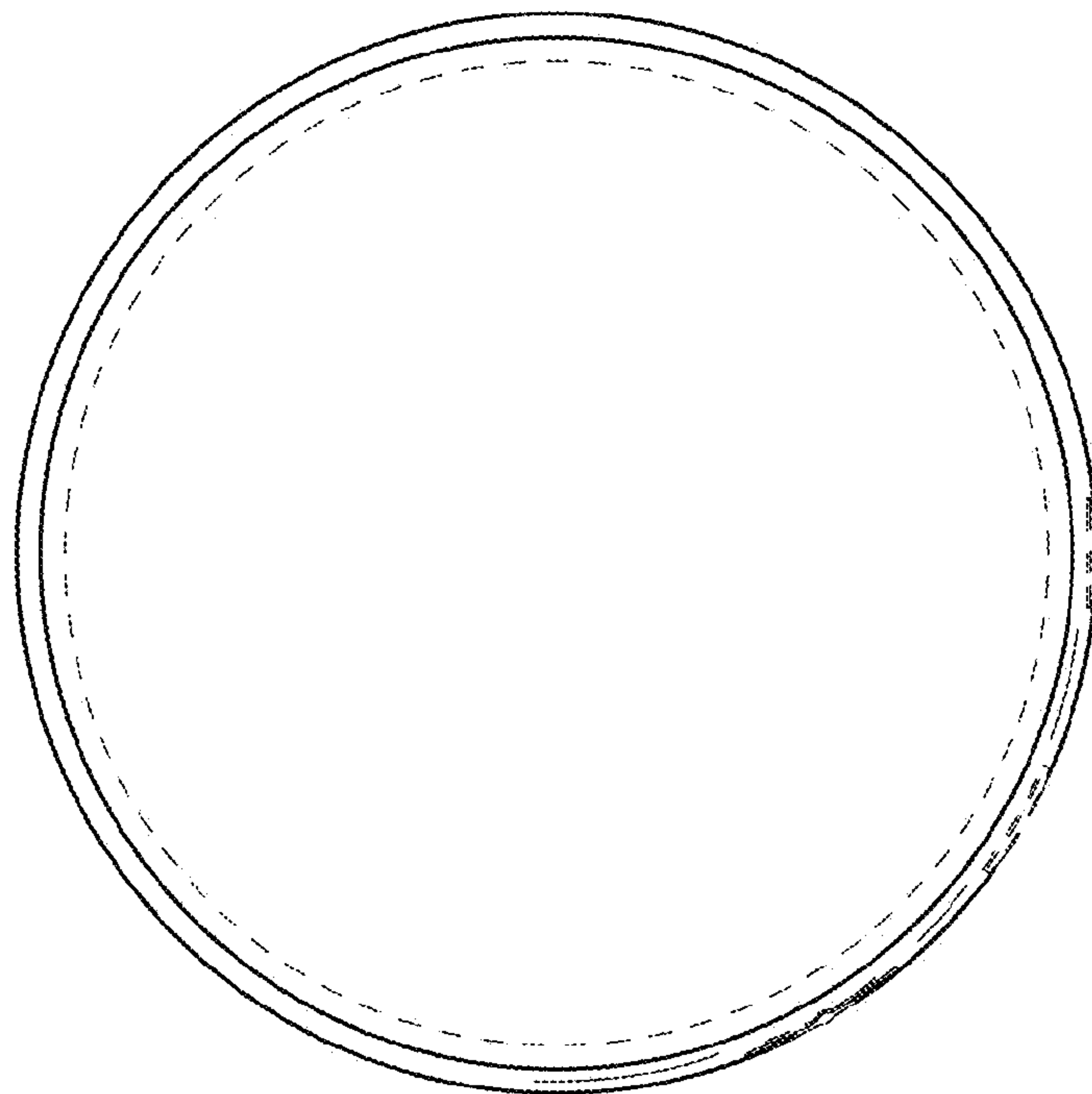


FIG. 14