



US00D746679S

(12) **United States Design Patent**
Jasso Gomez

(10) **Patent No.:** **US D746,679 S**
(45) **Date of Patent:** **** Jan. 5, 2016**

(54) **CONTAINER HANDLE**

(56) **References Cited**

(71) Applicant: **Industrias Alen, S.A. de C.V.**, Santa Catarina (MX)
(72) Inventor: **Alpha Edith Jasso Gomez**, Monterrey (MX)
(73) Assignee: **Industrias Alen, S.A. DE C.V.**, Santa Catarina (MX)
(**) Term: **14 Years**
(21) Appl. No.: **29/501,495**
(22) Filed: **Sep. 4, 2014**
(30) **Foreign Application Priority Data**
Aug. 27, 2014 (MX) MX/f/2014/002625

U.S. PATENT DOCUMENTS

D197,853	S	*	3/1964	Smith	220/737
4,456,135	A	*	6/1984	Beekes	B65D 23/106 215/396
D288,666	S	*	3/1987	Brun	D9/434
D449,993	S	*	11/2001	Schumann	D9/434
D551,556	S	*	9/2007	Kaminski	D9/534
D588,912	S	*	3/2009	Christensen	D9/434
D589,793	S	*	4/2009	Christensen	D9/434
D598,746	S	*	8/2009	Caldwell	D9/435
D598,747	S	*	8/2009	Caldwell	D9/435
D652,685	S	*	1/2012	Carter	D7/622
D701,119	S	*	3/2014	Ruqian	D9/434
2007/0272651	A1	*	11/2007	DiPasquale	B65D 23/104 215/396
2013/0062358	A1	*	3/2013	El-Saden	A47G 19/2272 220/715

(51) **LOC (10) Cl.** **09-07**
(52) **U.S. Cl.**
USPC **D9/443**
(58) **Field of Classification Search**
USPC D9/434-436, 438, 443-450, 452-454,
D9/499; D7/387, 392, 393, 396.2, 510,
D7/511; D3/202, 294, 318; 215/28, 41,
215/201, 216, 224, 230, 235, 237, 243, 249,
215/256, 306, 316, 317, 396; 220/252,
220/254.1, 254.2-254.4, 258.2, 263, 367.1,
220/375, 711, 724, 730, 731, 837, 847;
222/109, 153.1, 153.11, 153.14, 464.1,
222/498, 546, 547, 562, 565, 566, 570, 621
CPC A61J 1/1412; B65D 1/02; B65D 1/323;
B65D 25/40; B65D 41/56; B65D 41/62;
B65D 47/06; B65D 47/08
See application file for complete search history.

* cited by examiner

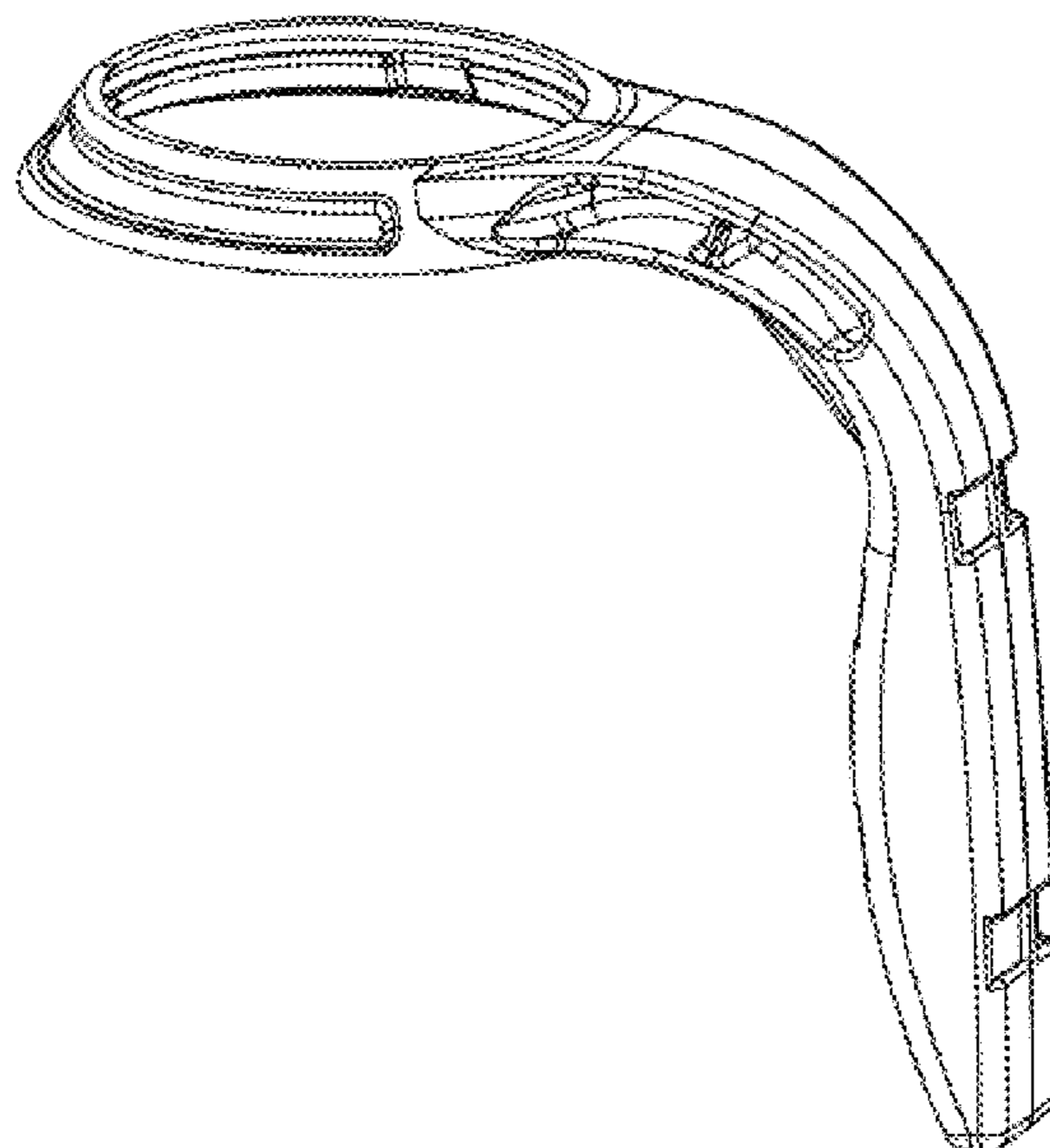
Primary Examiner — Karen S Acker
Assistant Examiner — Wendy Arminio
(74) *Attorney, Agent, or Firm* — Jeffrey T. Placker; Holland & Knight LLP

(57) **CLAIM**
The ornamental design for a container handle, as shown and described.

DESCRIPTION

FIG. 1 is a front perspective view of a container handle;
FIG. 2 is a front elevation view thereof;
FIG. 3 is a right side elevation view thereof;
FIG. 4 is a top plan view thereof; and,
FIG. 5 is a bottom plan view thereof.

1 Claim, 4 Drawing Sheets



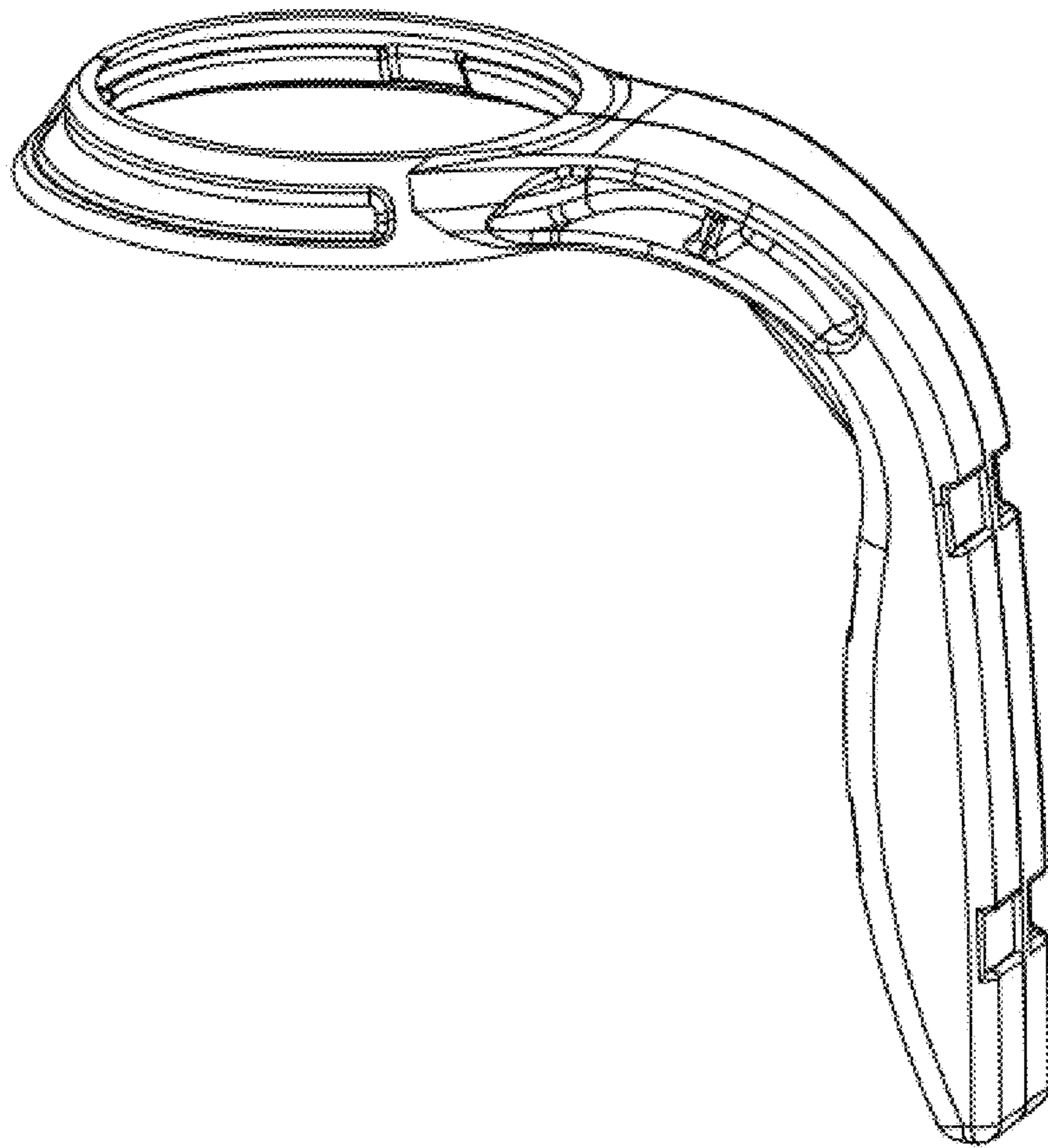


FIG. 1

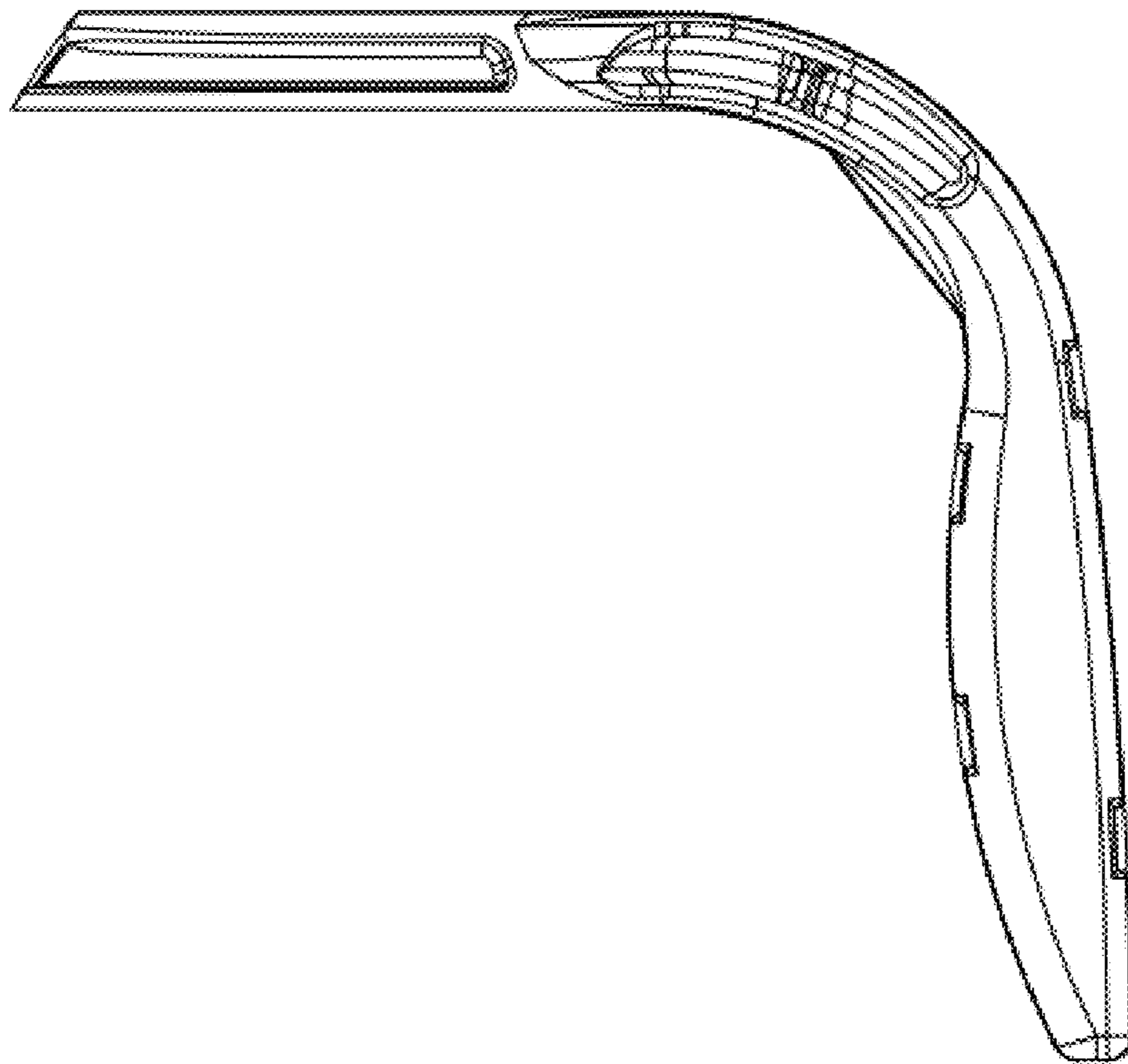


FIG. 2

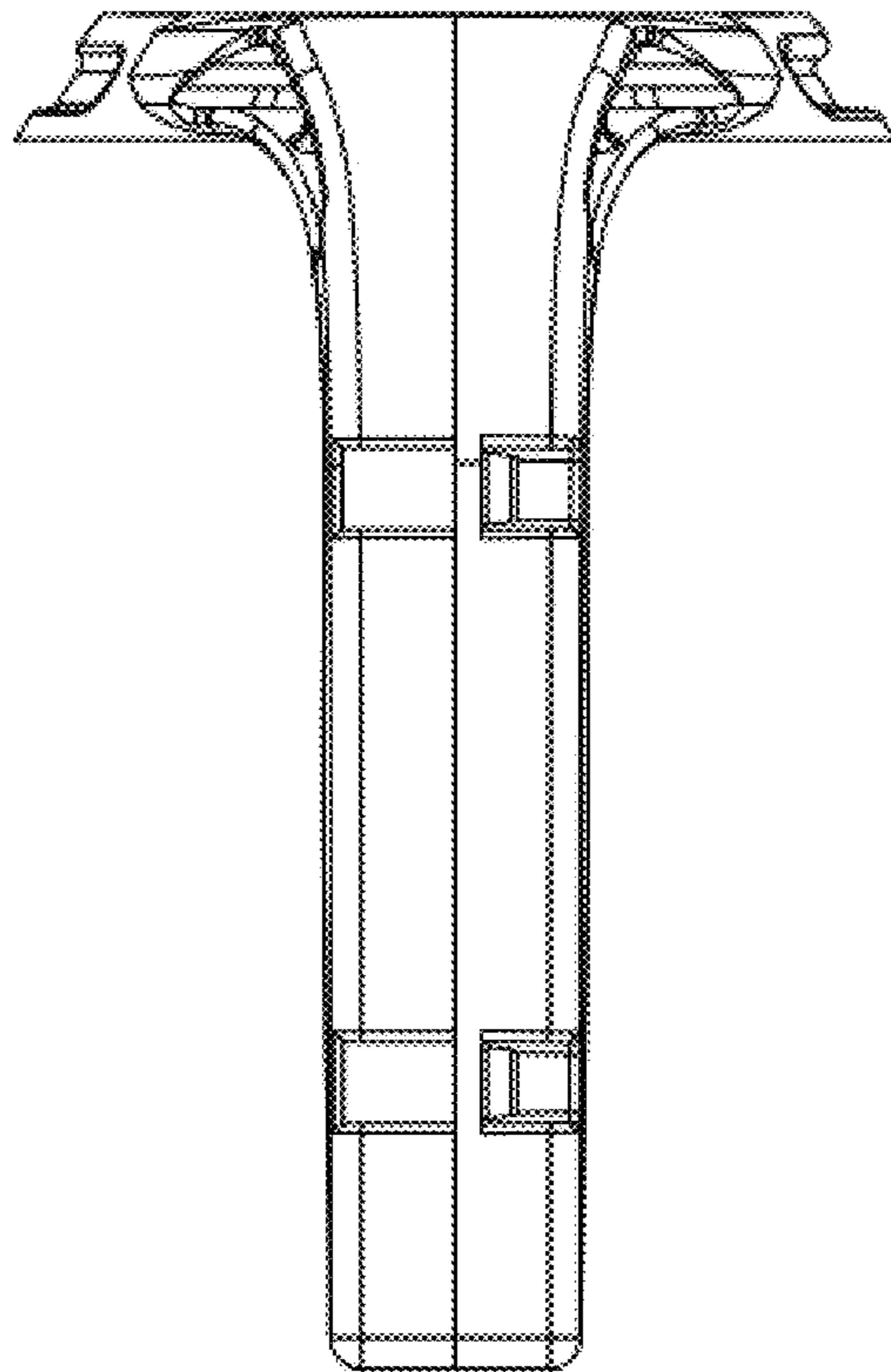


FIG. 3

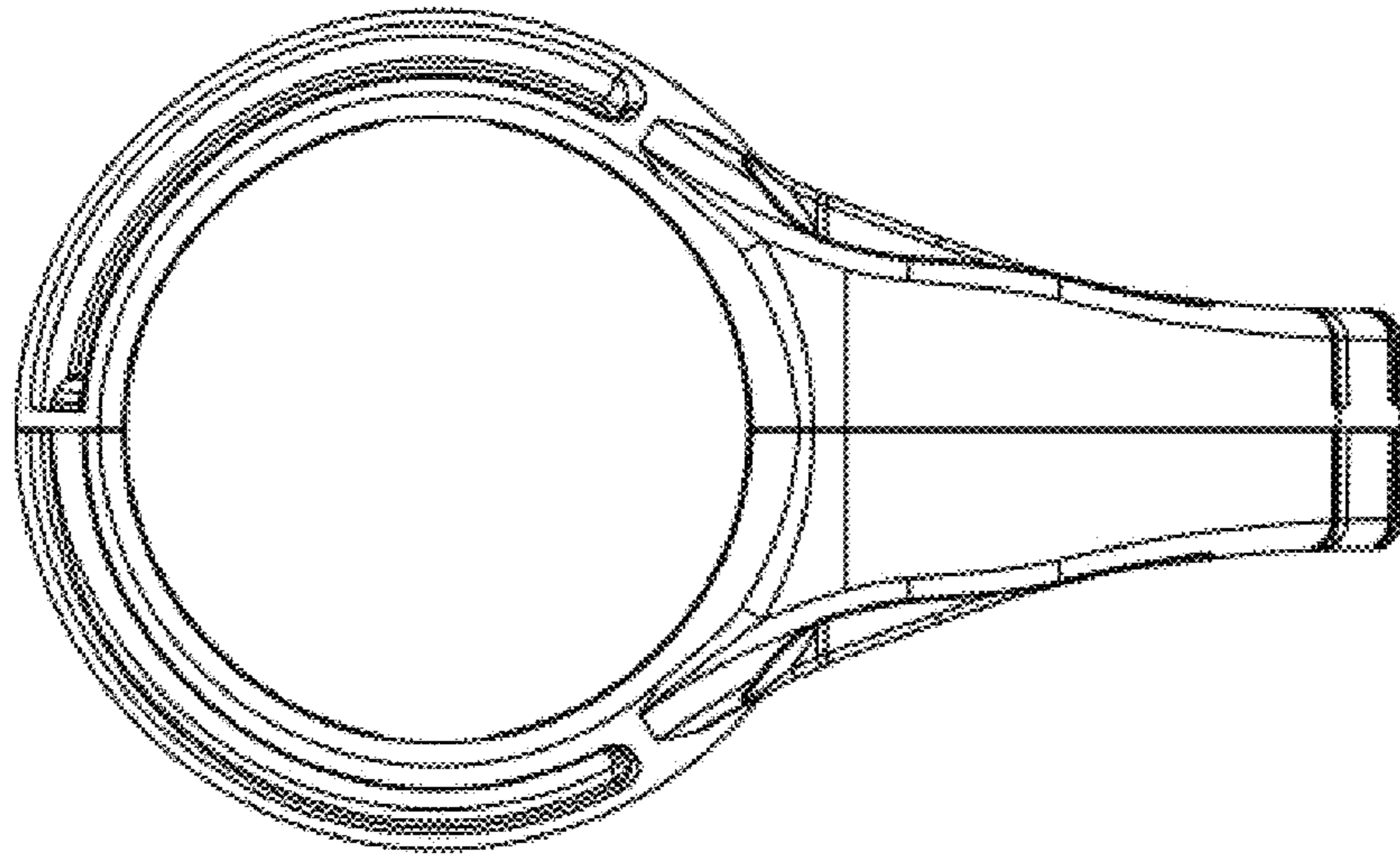


FIG. 4

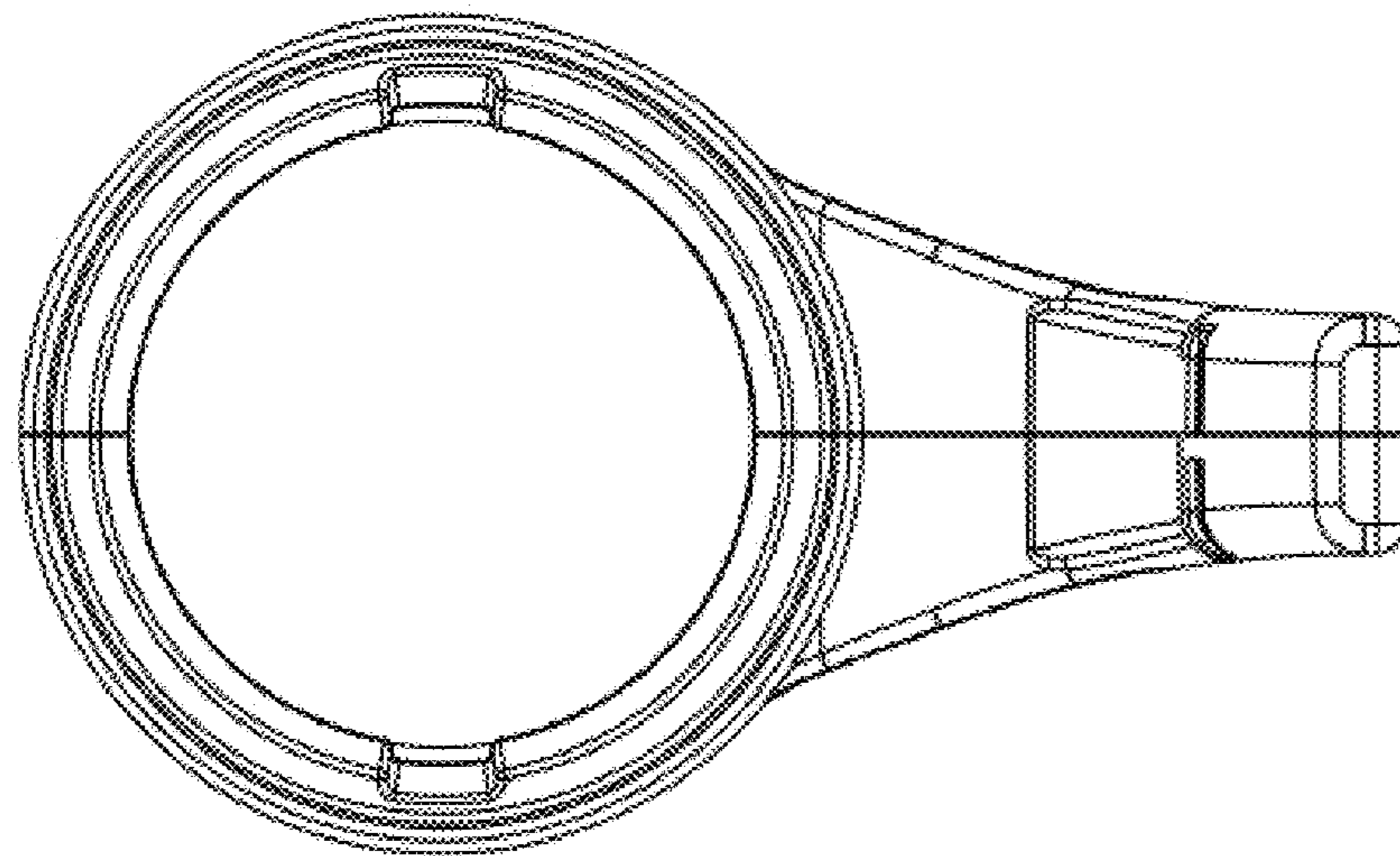


FIG. 5