



US00D746676S

(12) **United States Design Patent**  
**Raphaelson et al.**

(10) **Patent No.:** **US D746,676 S**  
(45) **Date of Patent:** **\*\* Jan. 5, 2016**

(54) **BEVERAGE CARTRIDGE**

(71) Applicant: **Keurig Green Mountain, Inc.**,  
Waterbury, VT (US)  
(72) Inventors: **Steven Raphaelson**, Watertown, MA  
(US); **Michael Sack**, North Reading,  
MA (US); **Enrico Raffaele Cafaro**,  
Beverly, MA (US); **Ralph K. Maider,**  
**Jr.**, Milton, MA (US)  
(73) Assignee: **Keurig Green Mountain, Inc.**,  
Waterbury, VT (US)

(\*\*) Term: **14 Years**

(21) Appl. No.: **29/506,803**

(22) Filed: **Oct. 20, 2014**

(51) **LOC (10) Cl.** ..... **09-03**

(52) **U.S. Cl.**  
USPC ..... **D9/428**

(58) **Field of Classification Search**  
USPC ..... 220/564, 560.09, 568; D7/503, 513,  
D7/527, 541, 542, 545, 566, 586, 587, 601,  
D7/602, 612, 615, 619.1, 629, 630, 624.3,  
D7/373; 206/223, 541, 423, 501, 502, 503,  
206/505, 508, 561, 564; 99/646 C, DIG. 15;  
D11/152, 153; D3/202, 203.3, 302,  
D3/304; D9/414, 416, 417, 418, 419,  
D9/420-438, 440, 447, 454, 499, 500, 502,  
D9/503, 904  
CPC ..... B65D 85/8043; B65D 85/8046; B65D  
2565/385; B65D 2575/583; B65D 25/08;  
B65D 47/283; B65D 53/02; B65D 75/5883;  
B65D 81/18; B65D 81/3227; B65D 81/3277;  
B65D 85/70; B65D 2081/001; B65D 81/3238

See application file for complete search history.

(56) **References Cited**

U.S. PATENT DOCUMENTS

|           |    |   |         |                     |       |        |
|-----------|----|---|---------|---------------------|-------|--------|
| D288,057  | S  | * | 2/1987  | Webster             | ..... | D7/400 |
| D513,152  | S  | * | 12/2005 | Cahen               | ..... | D7/400 |
| D519,831  | S  | * | 5/2006  | de Cleir et al.     | ..... | D9/428 |
| D539,643  | S  | * | 4/2007  | Abel                | ..... | D9/424 |
| D587,995  | S  | * | 3/2009  | Studee              | ..... | D9/424 |
| D600,975  | S  | * | 9/2009  | Lin                 | ..... | D7/397 |
| D605,502  | S  | * | 12/2009 | Honda et al.        | ..... | D9/429 |
| D628,883  | S  | * | 12/2010 | Stephens            | ..... | D9/429 |
| D642,068  | S  | * | 7/2011  | Milewski et al.     | ..... | D9/696 |
| D644,924  | S  | * | 9/2011  | Lin                 | ..... | D9/429 |
| D682,675  | S  | * | 5/2013  | Rapparini           | ..... | D9/429 |
| D689,768  | S  | * | 9/2013  | Inderbitzin         | ..... | D9/429 |
| D697,797  | S  | * | 1/2014  | Hansen              | ..... | D9/429 |
| D703,035  | S  | * | 4/2014  | Zanetti             | ..... | D9/416 |
| D703,039  | S  | * | 4/2014  | Hansen              | ..... | D9/429 |
| D708,057  | S  | * | 7/2014  | Hansen              | ..... | D9/429 |
| D716,648  | S  | * | 11/2014 | Tan                 | ..... | D9/416 |
| 8,956,672 | B2 | * | 2/2015  | Yoakim et al.       | ..... | 426/77 |
| D727,141  | S  | * | 4/2015  | Mastropasqua et al. | ..... | D9/416 |

(Continued)

*Primary Examiner* — Philip S Hyder

*Assistant Examiner* — Keith Frank

(74) *Attorney, Agent, or Firm* — Wolf, Greenfield & Sacks,  
P.C.

(57) **CLAIM**

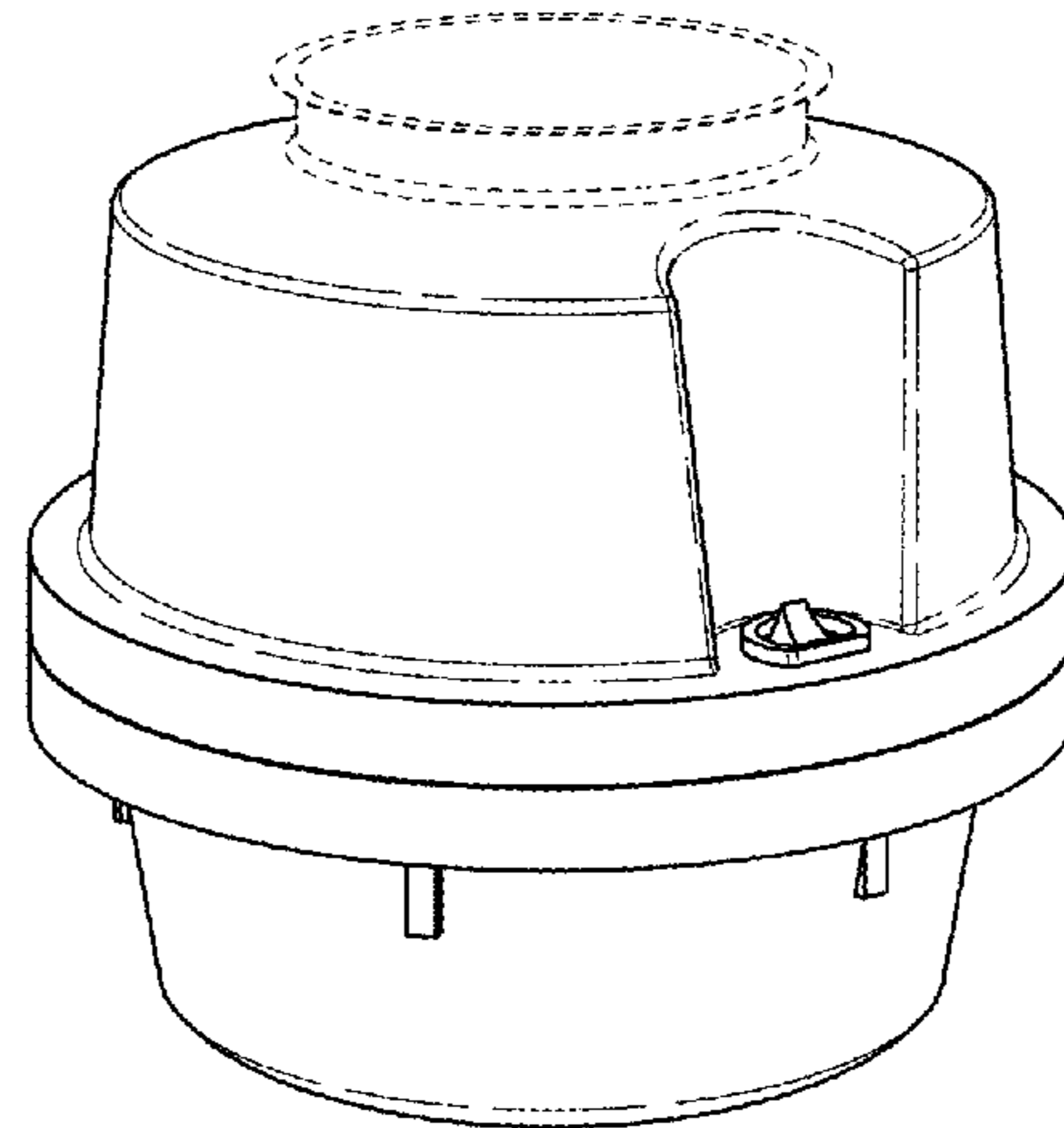
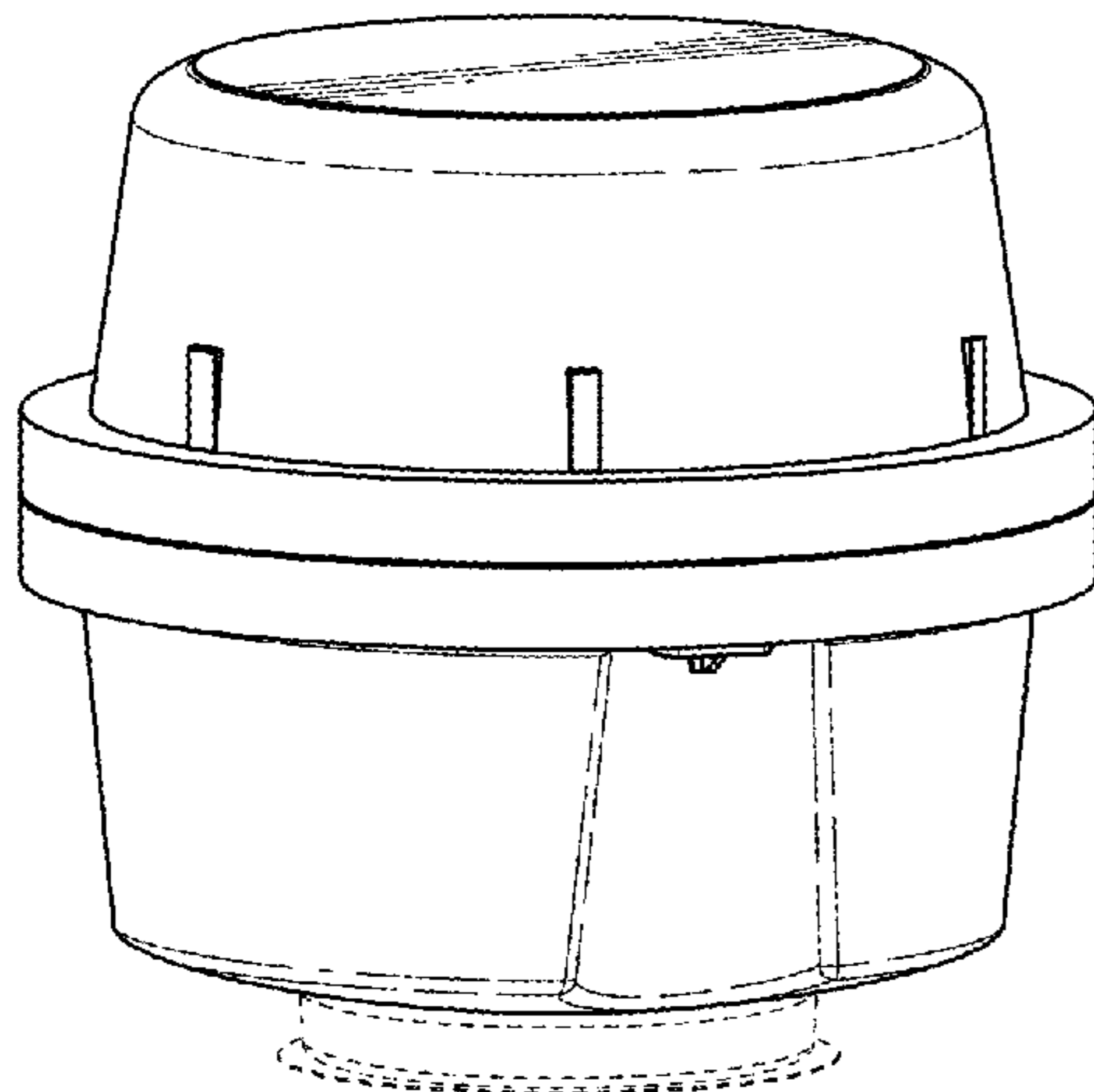
The ornamental design for a beverage cartridge, as shown and described.

**DESCRIPTION**

FIG. 1 is a top, front, left perspective view of a beverage cartridge showing our new design;  
FIG. 2 is a bottom, front, right perspective view thereof;  
FIG. 3 is a front elevational view thereof;  
FIG. 4 is a rear elevational view thereof;  
FIG. 5 is a left side elevational view thereof;  
FIG. 6 is a right side elevational view thereof;  
FIG. 7 is a top plan view thereof; and,  
FIG. 8 is a bottom plan view thereof.

The broken lines in the drawings depict unclaimed subject matter only and form no part of the claimed design.

**1 Claim, 4 Drawing Sheets**



# US D746,676 S

Page 2

---

(56)

## References Cited

### U.S. PATENT DOCUMENTS

|              |     |        |                     |           |
|--------------|-----|--------|---------------------|-----------|
| 2014/0087028 | A1* | 3/2014 | Orsi .....          | 426/77    |
| 2015/0017290 | A1* | 1/2015 | Rondelli .....      | 426/115   |
| 2015/0037470 | A1* | 2/2015 | Zweed et al. ....   | 426/115   |
| 2002/0020659 | A1* | 2/2002 | Sweeney et al. .... | 210/416.3 |
| 2011/0111098 | A1* | 5/2011 | Ricotti .....       | 426/89    |

\* cited by examiner

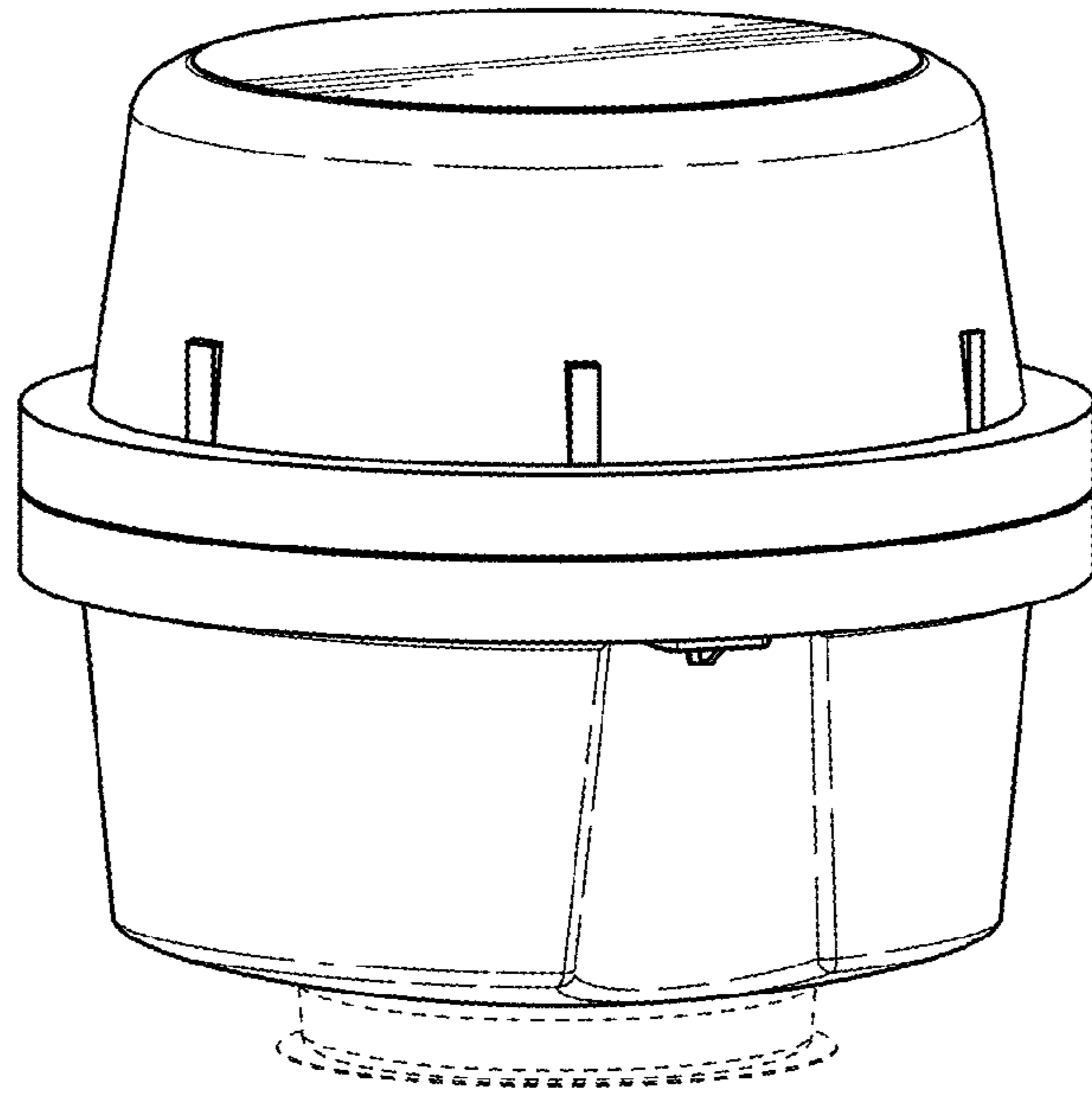


FIG. 1

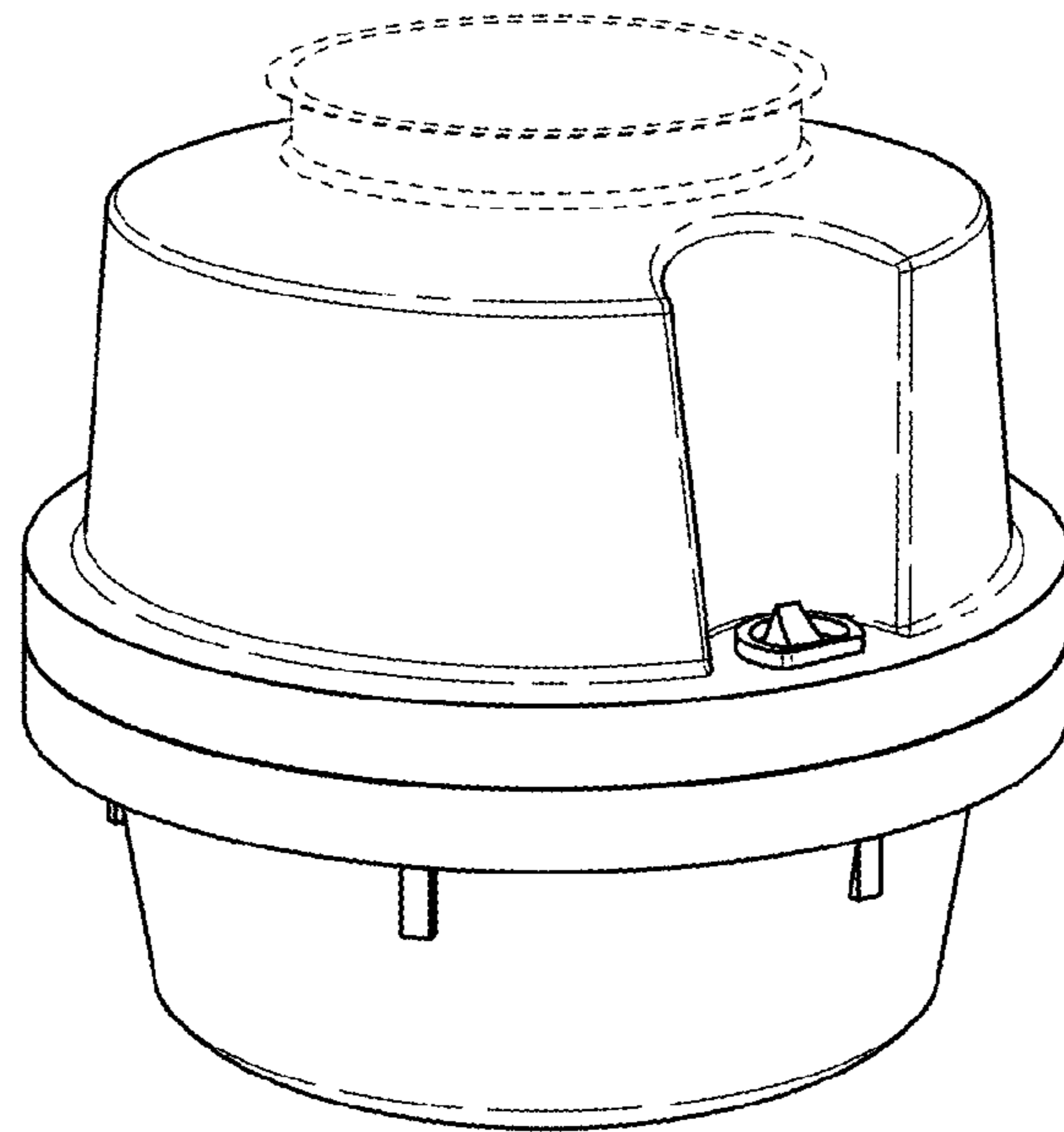


FIG. 2

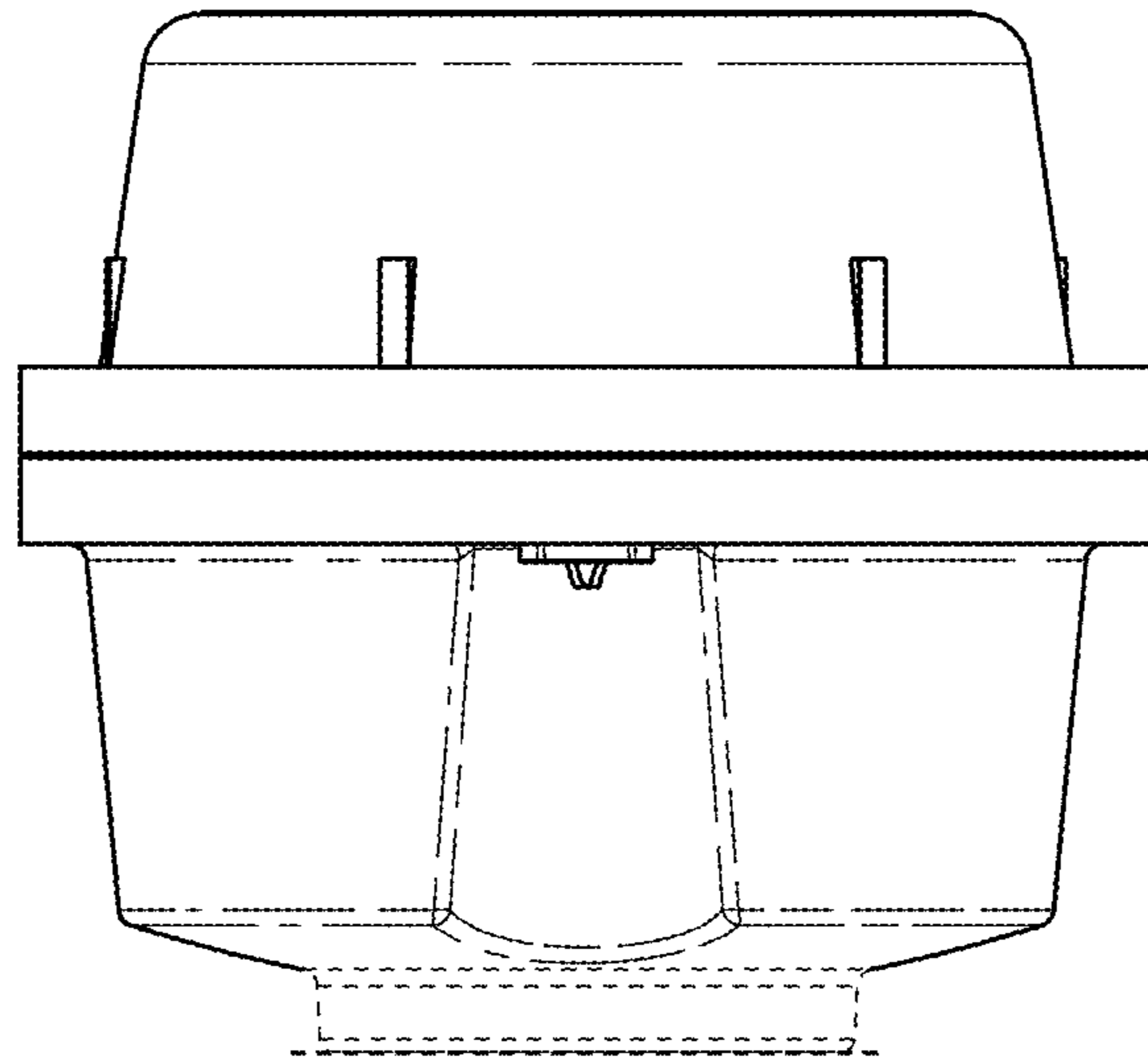


FIG. 3

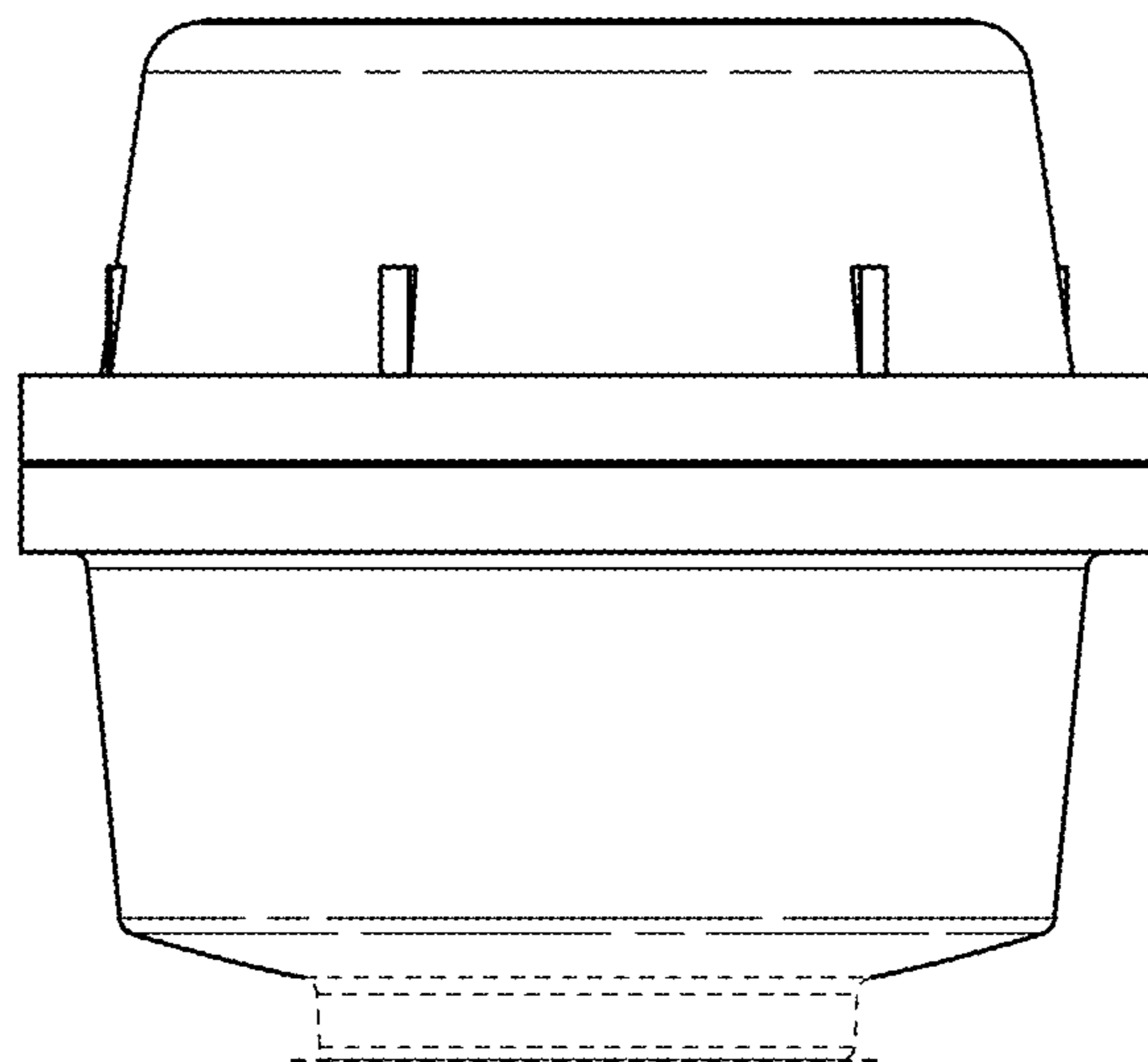


FIG. 4

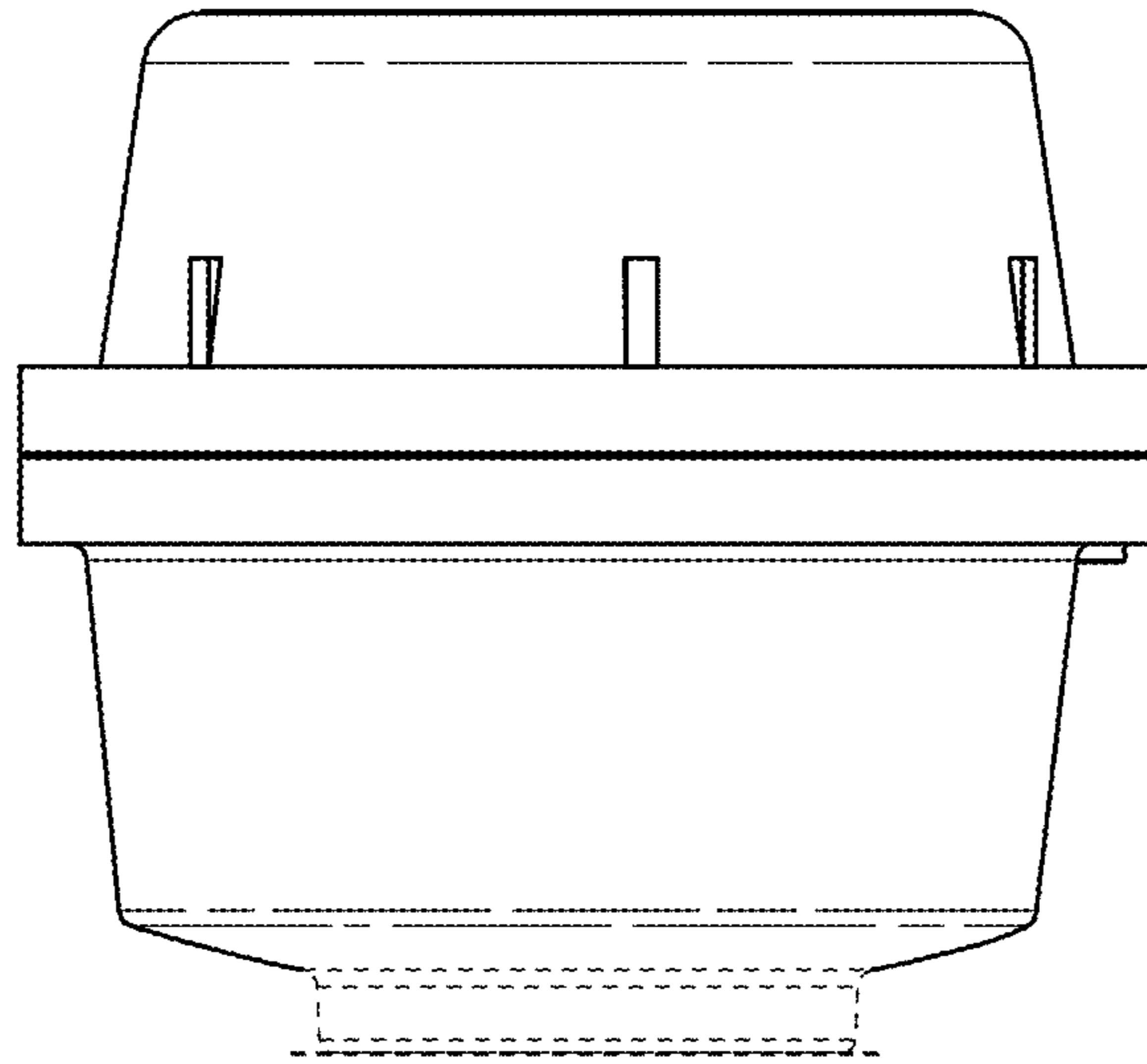


FIG. 5

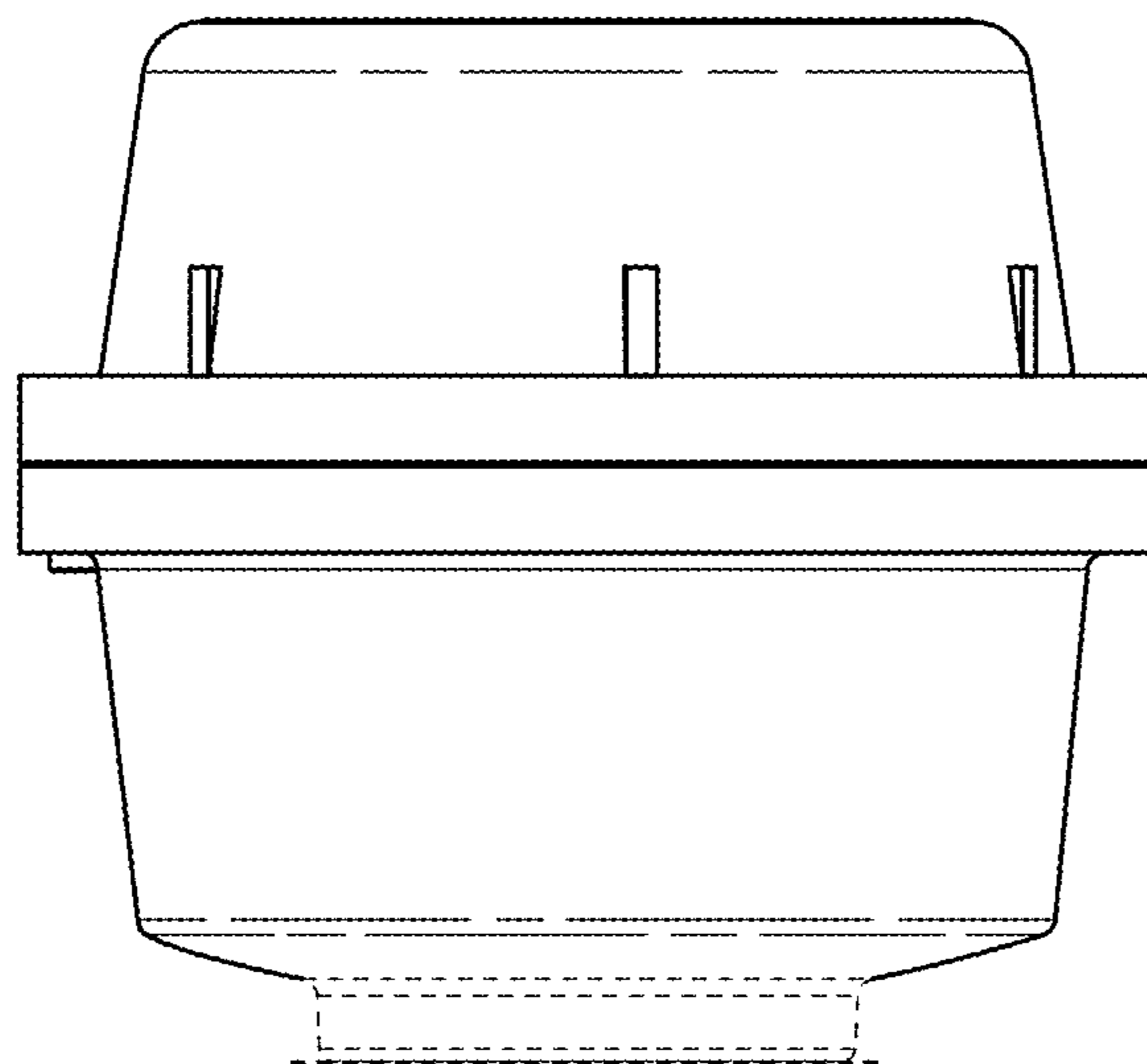


FIG. 6

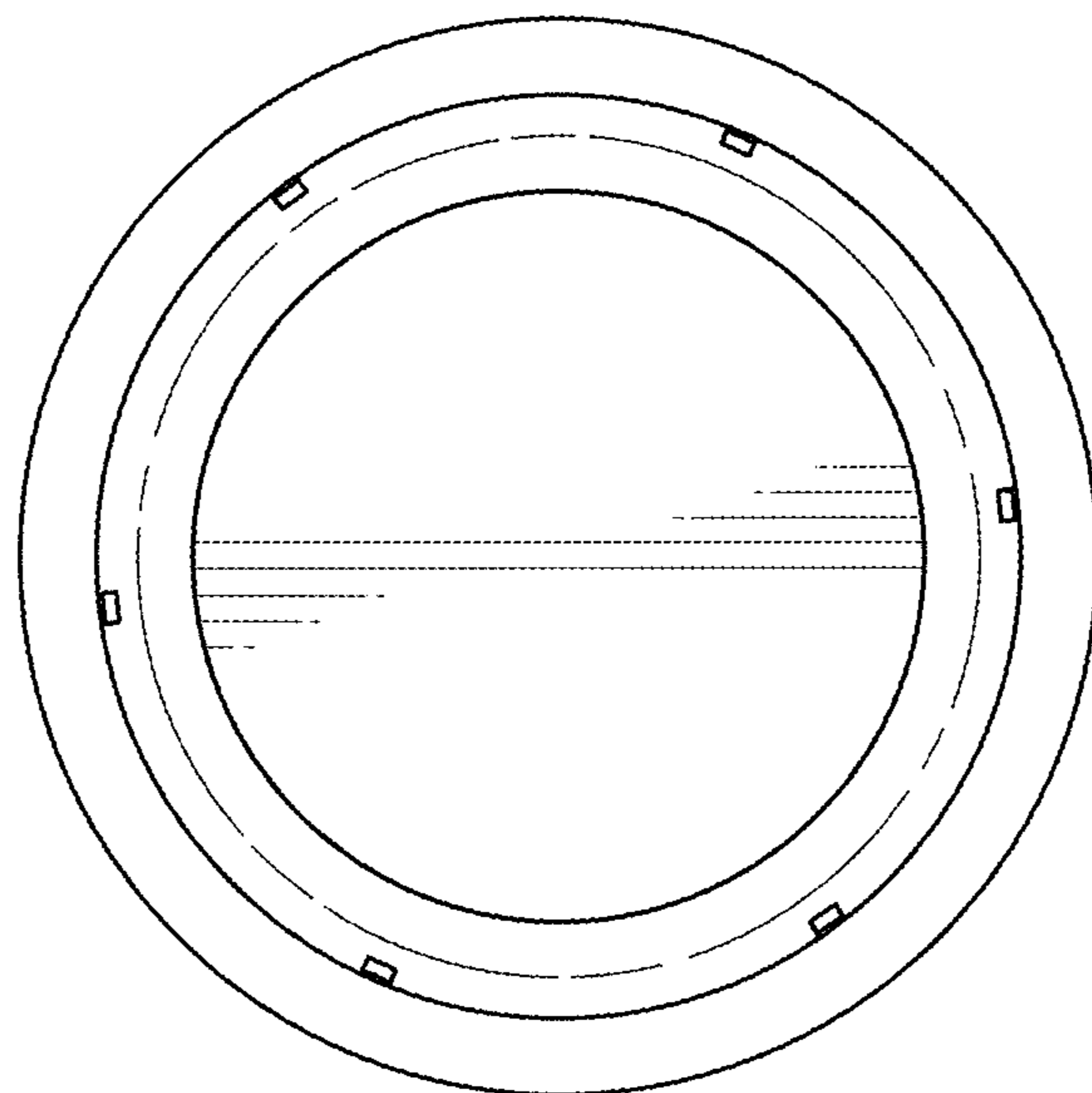


FIG. 7

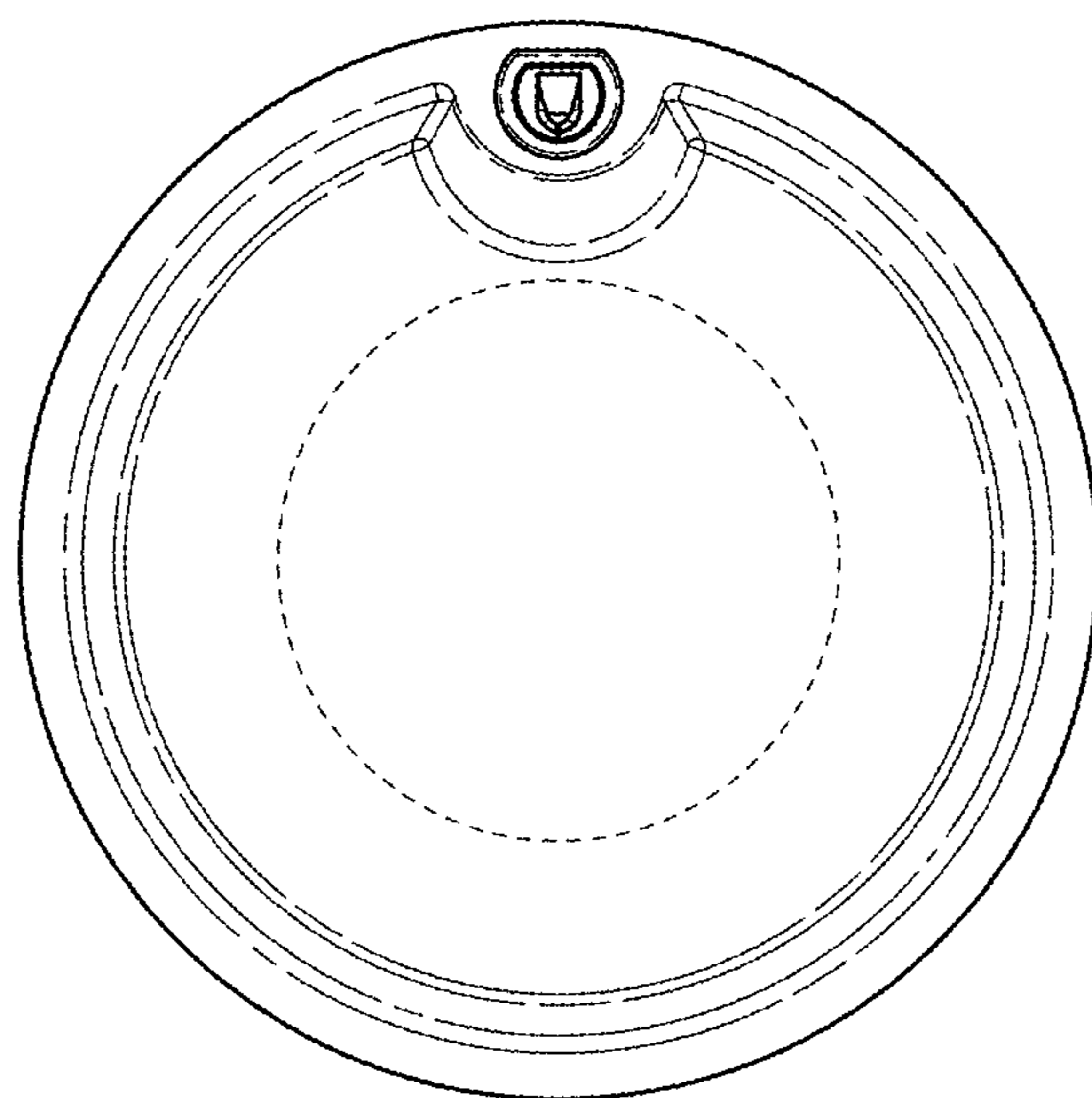


FIG. 8