

US00D746675S

(12) **United States Design Patent**
Astorga et al.

(10) **Patent No.:** **US D746,675 S**
(45) **Date of Patent:** **** Jan. 5, 2016**

(54) **CONTAINER**

(71) Applicant: **Peninsula Packaging Company, LLC**,
Exeter, CA (US)

(72) Inventors: **Ricardo Astorga**, Whittier, CA (US);
Stephen Day, Hollister, CA (US)

(73) Assignee: **PENINSULA PACKAGING**
COMPANY, LLC, Exeter, CA (US)

(**) Term: **14 Years**

(21) Appl. No.: **29/516,551**

(22) Filed: **Feb. 3, 2015**

(51) **LOC (10) Cl.** **09-03**

(52) **U.S. Cl.**
USPC **D9/425**

(58) **Field of Classification Search**
USPC D9/414, 415, 416, 417, 418, 419, 420,
D9/421, 422, 423, 424, 425, 426, 427, 428,
D9/429, 431, 432, 433; D7/619.1, 629;
229/401, 406, 407, 904, 906, 909;
220/656, 657, 659, 662, 665, 669-675,
220/912, 915.1, 4.21-4.25; 206/139, 214,
206/217, 431, 528, 530, 538, 541, 553, 557
CPC A47G 21/14; A47G 47/14; B65D 1/22;
B65D 1/34; B65D 1/36; B65D 1/40; B65D
1/46; B65D 21/083; B65D 21/0234; B65D
43/162; B65D 77/245; B65D 2543/00092;
B65D 2543/00101; B65D 2543/00296; B65D
3/28; B65D 5/4204; B65D 7/46; B65D 85/12;
B65D 85/34; B21D 51/2646; A45C 11/20

See application file for complete search history.

(56) **References Cited**

U.S. PATENT DOCUMENTS

2,939,603 A	6/1960	Young	
D197,584 S *	2/1964	Nascher et al.	206/499
3,351,227 A	11/1967	Collie	
3,351,270 A	11/1967	Hohnjec	
3,356,277 A	12/1967	Hohnjec	
3,396,867 A	8/1968	Garriga	
3,412,889 A	11/1968	Eicholtz et al.	
3,416,690 A	12/1968	Michael	
3,421,682 A	1/1969	Eisenbach	
3,655,110 A	4/1972	Eisenbach	
3,786,982 A	1/1974	Rakes et al.	
3,933,296 A	1/1976	Ruskin et al.	
D272,595 S	2/1984	Chase et al.	
4,494,650 A	1/1985	Cullen	
4,512,474 A	4/1985	Harding	
D281,229 S *	11/1985	Tyler	D9/425
4,576,330 A	3/1986	Schepp	

(Continued)

Primary Examiner — Karen S Acker

Assistant Examiner — Wendy Arminio

(74) *Attorney, Agent, or Firm* — Loza & Loza, LLP; Heidi Eisenhut

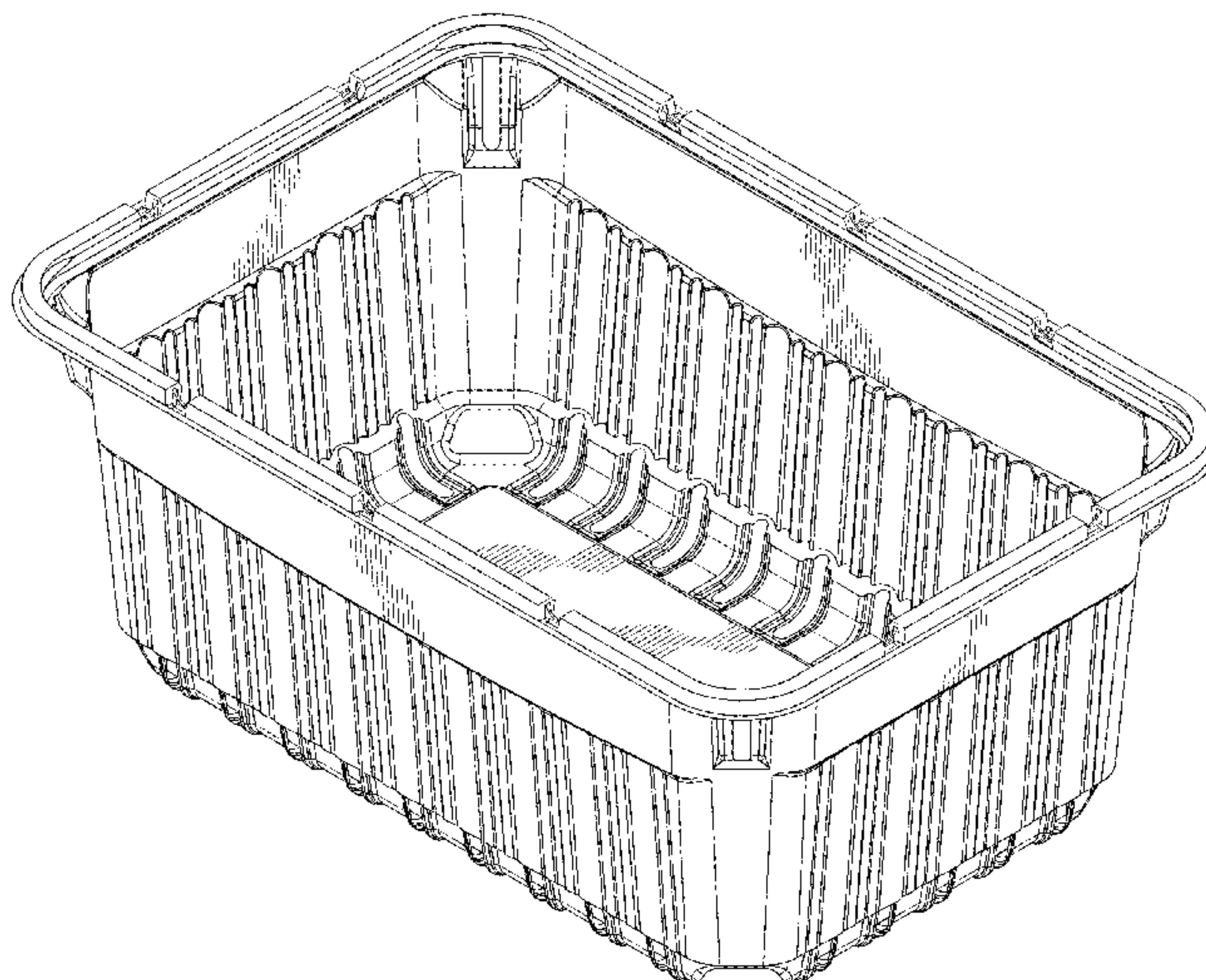
(57) **CLAIM**

The ornamental design for a container, as shown and described.

DESCRIPTION

FIG. 1 is a front top left side perspective view of a container of the present invention;
FIG. 2 is a bottom rear right side perspective view of the container of FIG. 1;
FIG. 3 is a front elevation view of the container of FIG. 1;
FIG. 4 is a rear elevation view of the container of FIG. 1;
FIG. 5 is a right side elevation view of the container of FIG. 1;
FIG. 6 is a left side elevation view of the container of FIG. 1;
FIG. 7 is a top plan view of the container of FIG. 1; and,
FIG. 8 is a bottom plan view of the container of FIG. 1.

1 Claim, 7 Drawing Sheets



(56)

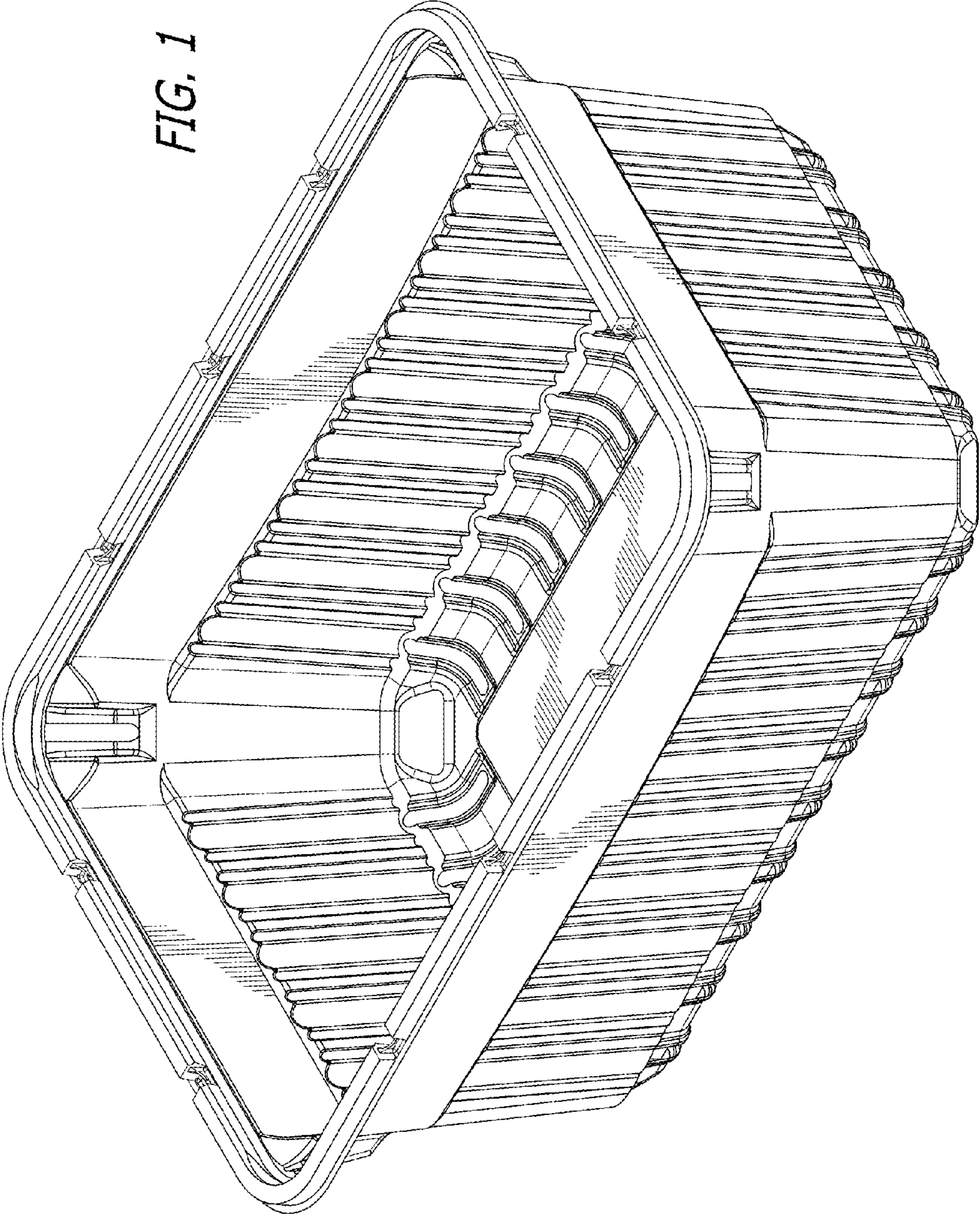
References Cited

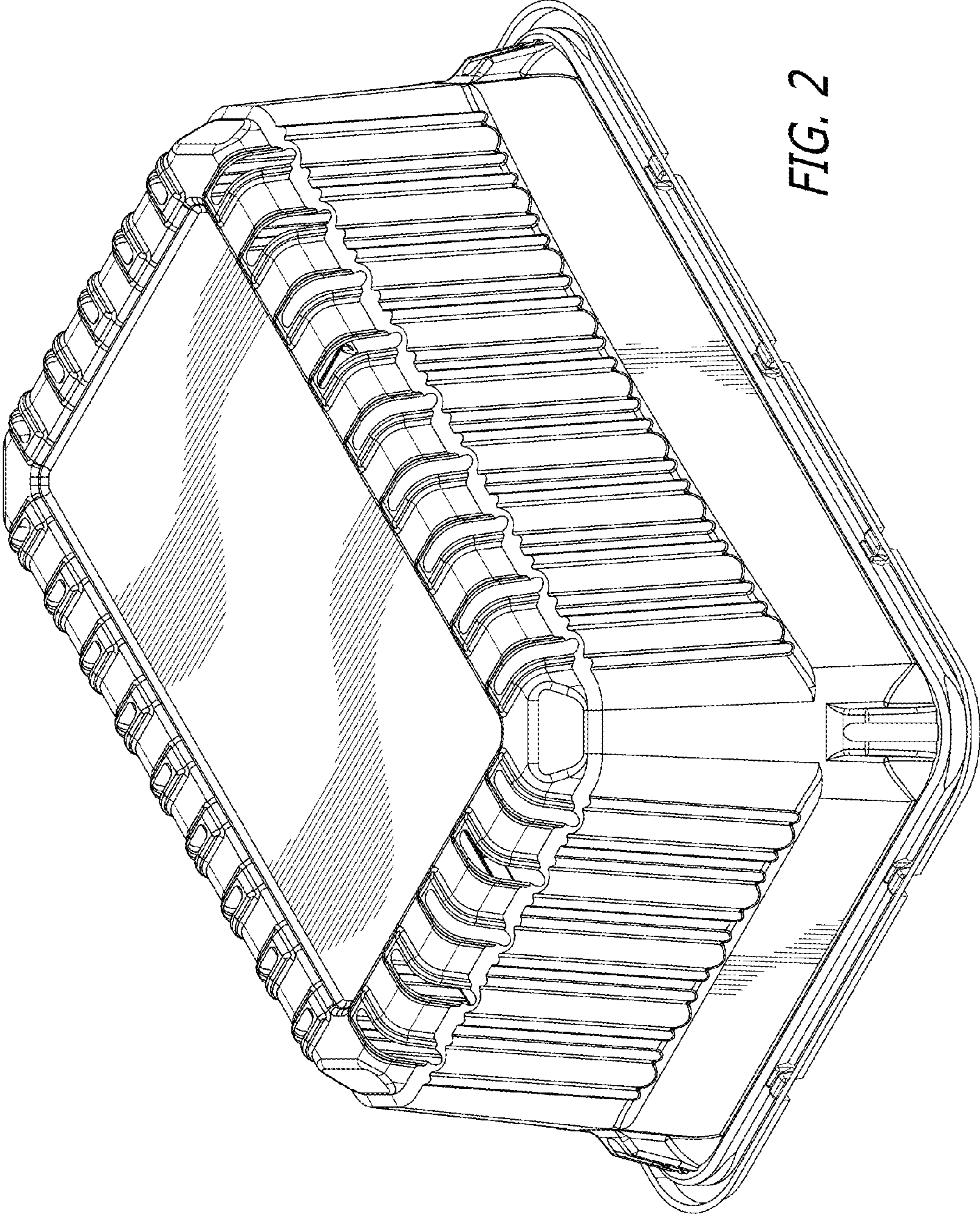
U.S. PATENT DOCUMENTS

4,593,816	A	6/1986	Langenbeck				
4,886,204	A	12/1989	Kalmanides				
4,892,220	A	1/1990	Foos				
5,012,928	A	5/1991	Proffitt et al.				
D318,420	S	7/1991	Amelse				
5,031,774	A	7/1991	Morris et al.				
5,046,659	A	9/1991	Warburton				
5,071,026	A	12/1991	Apps				
5,092,479	A	3/1992	Wells				
5,156,267	A	10/1992	Yates, Jr. et al.				
5,169,014	A	12/1992	Hexamer				
D341,461	S	* 11/1993	Davidson	D3/312		
D343,576	S	1/1994	Krupa				
5,377,860	A	1/1995	Littlejohn et al.				
5,423,453	A	* 6/1995	Fritz	B65D 81/3453 219/728		
D361,035	S	8/1995	Krupa				
D361,036	S	8/1995	Krupa				
5,456,379	A	10/1995	Krupa et al.				
D363,879	S	11/1995	Krupa et al.				
5,497,894	A	3/1996	Krupa et al.				
5,515,993	A	5/1996	McManus				
D374,819	S	* 10/1996	Wells	D9/425		
5,584,408	A	12/1996	Orkisz				
D378,192	S	2/1997	Krupa et al.				
D382,112	S	8/1997	Egan				
D382,795	S	8/1997	Abayhan et al.				
5,653,345	A	8/1997	Knoss et al.				
5,711,978	A	1/1998	Breen et al.				
5,758,791	A	6/1998	Mangla				
5,833,116	A	11/1998	Guillin				
5,860,549	A	1/1999	Allers et al.				
D409,485	S	5/1999	Christy, Jr.				
5,979,687	A	11/1999	Hayes et al.				
5,992,628	A	11/1999	Vermilion et al.				
D419,375	S	* 1/2000	Mangla	D7/387		
6,079,554	A	6/2000	Hammett et al.				
6,085,930	A	7/2000	Curtis				
D438,100	S	2/2001	Cekota				
D446,450	S	* 8/2001	Zettle	D9/423		
D451,278	S	12/2001	Cooper				
D467,496	S	12/2002	Hayes et al.				
6,508,395	B2	1/2003	McLeod				
6,588,612	B1	7/2003	Dorn et al.				
D478,282	S	8/2003	Hayes et al.				
6,644,494	B2	11/2003	Hayes et al.				
6,666,348	B2	12/2003	Fore et al.				
D490,278	S	5/2004	Welsh				
D493,672	S	8/2004	Jalet et al.				
D495,920	S	* 9/2004	Isler	D7/354		
6,845,878	B2	1/2005	Hayes et al.				
D506,147	S	6/2005	Hall				
D508,819	S	* 8/2005	Mangla	D14/203.3		
D509,106	S	9/2005	de Groote et al.				
D514,389	S	2/2006	Luna et al.				
D531,802	S	11/2006	Zimmerman				
7,204,388	B2	4/2007	Galland et al.				
D544,755	S	6/2007	Diesman				
7,243,813	B2	7/2007	Krueger				
7,246,714	B2	7/2007	Garg et al.				
7,255,231	B2	8/2007	Andrews et al.				
D566,483	S	4/2008	Tucker et al.				
D569,243	S	5/2008	Kidd et al.				
D579,326	S	10/2008	Chen				
7,441,672	B2	10/2008	Cadiente et al.				
7,472,799	B2	1/2009	Cadiente et al.				
D591,148	S	4/2009	Parikh et al.				
7,597,206	B2	10/2009	Atkins et al.				
D604,604	S	11/2009	Strange				
D606,811	S	12/2009	Furlong				
D607,282	S	1/2010	Furlong				
D621,222	S	8/2010	Heiberg et al.				
7,784,615	B2	8/2010	Stahl				
7,819,279	B2	10/2010	Galland et al.				
D628,472	S	* 12/2010	Strange	D9/425		
7,866,502	B2	1/2011	Maxwell				
D647,790	S	* 11/2011	Lopez	D9/429		
D678,050	S	3/2013	Birchmeier et al.				
D687,704	S	* 8/2013	Knight	D9/425		
D688,941	S	9/2013	Sifuentes et al.				
D696,938	S	1/2014	BeVier et al.				
D720,990	S	1/2015	Jacobs et al.				
D723,339	S	3/2015	Maxwell et al.				
D723,340	S	3/2015	Maxwell et al.				
2003/0052133	A1	3/2003	Hayes et al.				
2003/0121917	A1	* 7/2003	Fore	B65D 1/26 220/4.22		
2003/0152670	A1	8/2003	Shih				
2003/0192888	A1	10/2003	Chang				
2003/0198714	A1	10/2003	Cadiente et al.				
2005/0040068	A1	2/2005	Palder				
2005/0167317	A1	8/2005	Barrett et al.				
2005/0247709	A1	11/2005	Atkins et al.				
2006/0289550	A1	12/2006	Guardigli				
2007/0045631	A1	3/2007	Endo et al.				
2007/0095848	A1	5/2007	Galland et al.				
2008/0000800	A1	1/2008	LaMarche et al.				
2008/0023472	A1	1/2008	Brandt				
2008/0135556	A1	6/2008	Bontrager et al.				
2009/0065514	A1	3/2009	Vovan				
2009/0134179	A1	5/2009	Kidd et al.				
2009/0134180	A1	5/2009	Kidd et al.				
2009/0223966	A1	9/2009	Kidd et al.				

* cited by examiner

FIG. 1





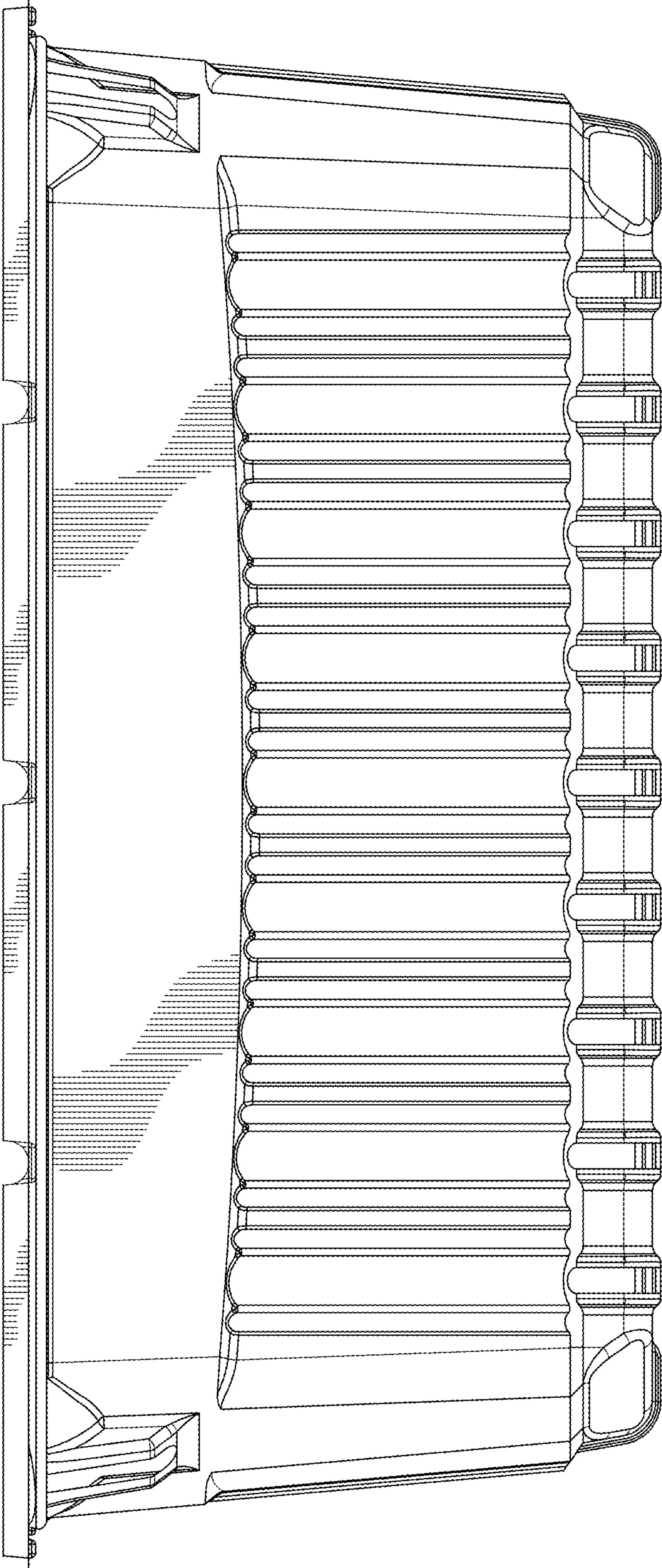


FIG. 3

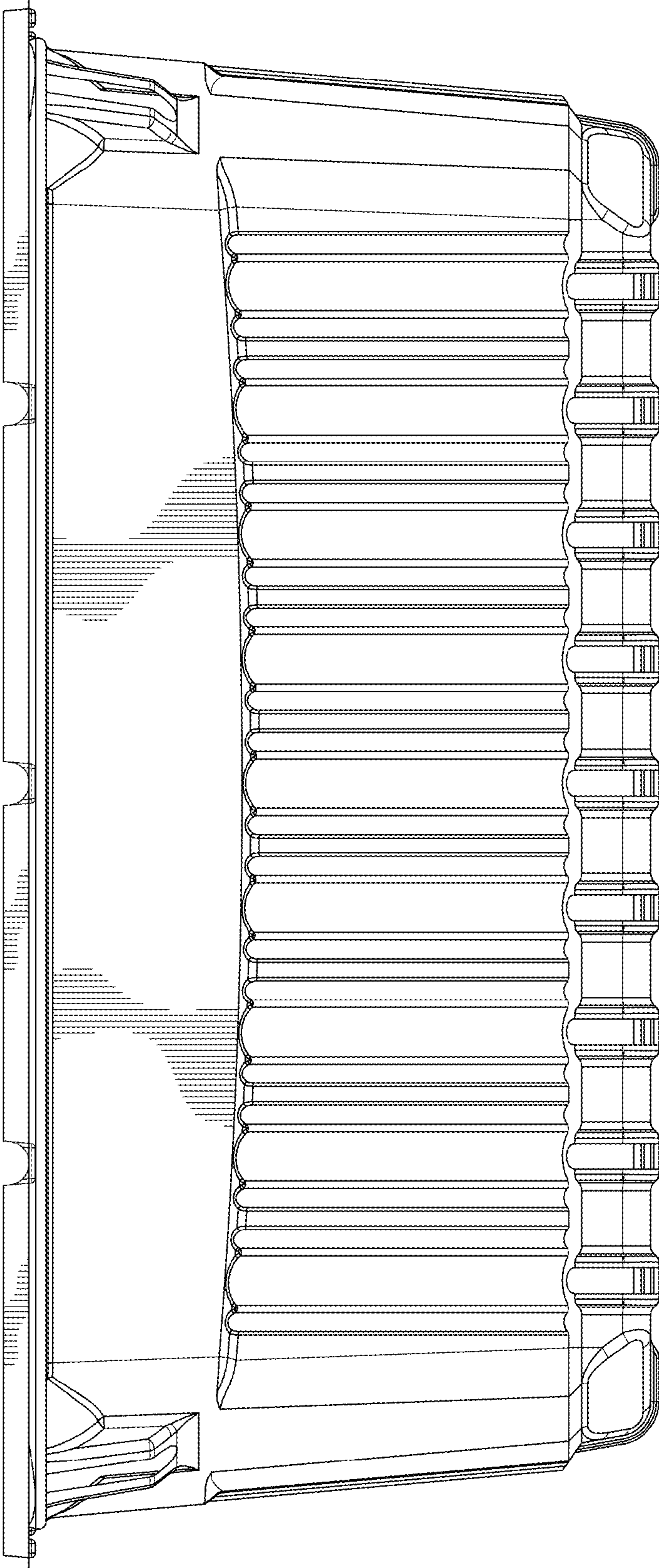


FIG. 4

FIG. 5

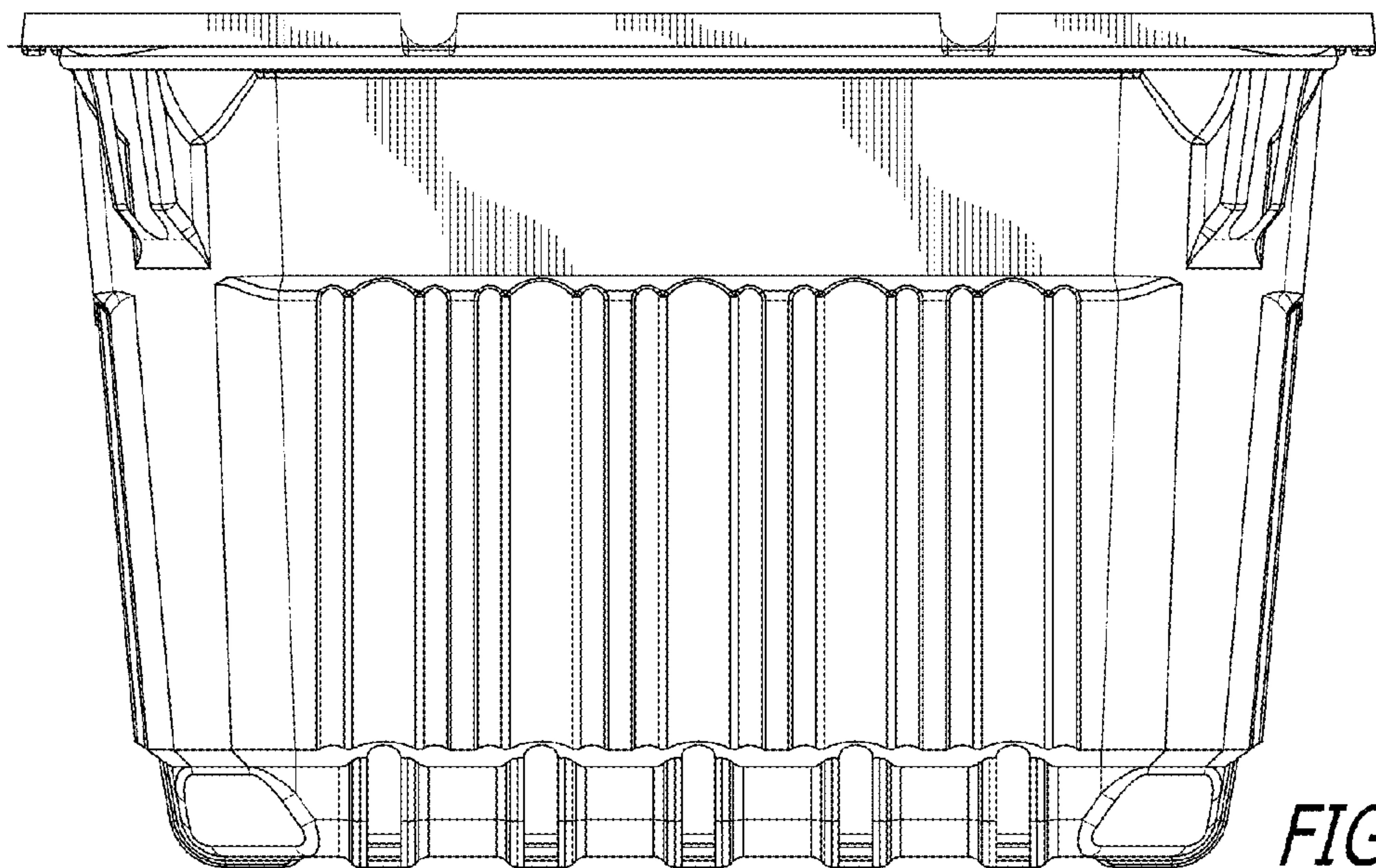
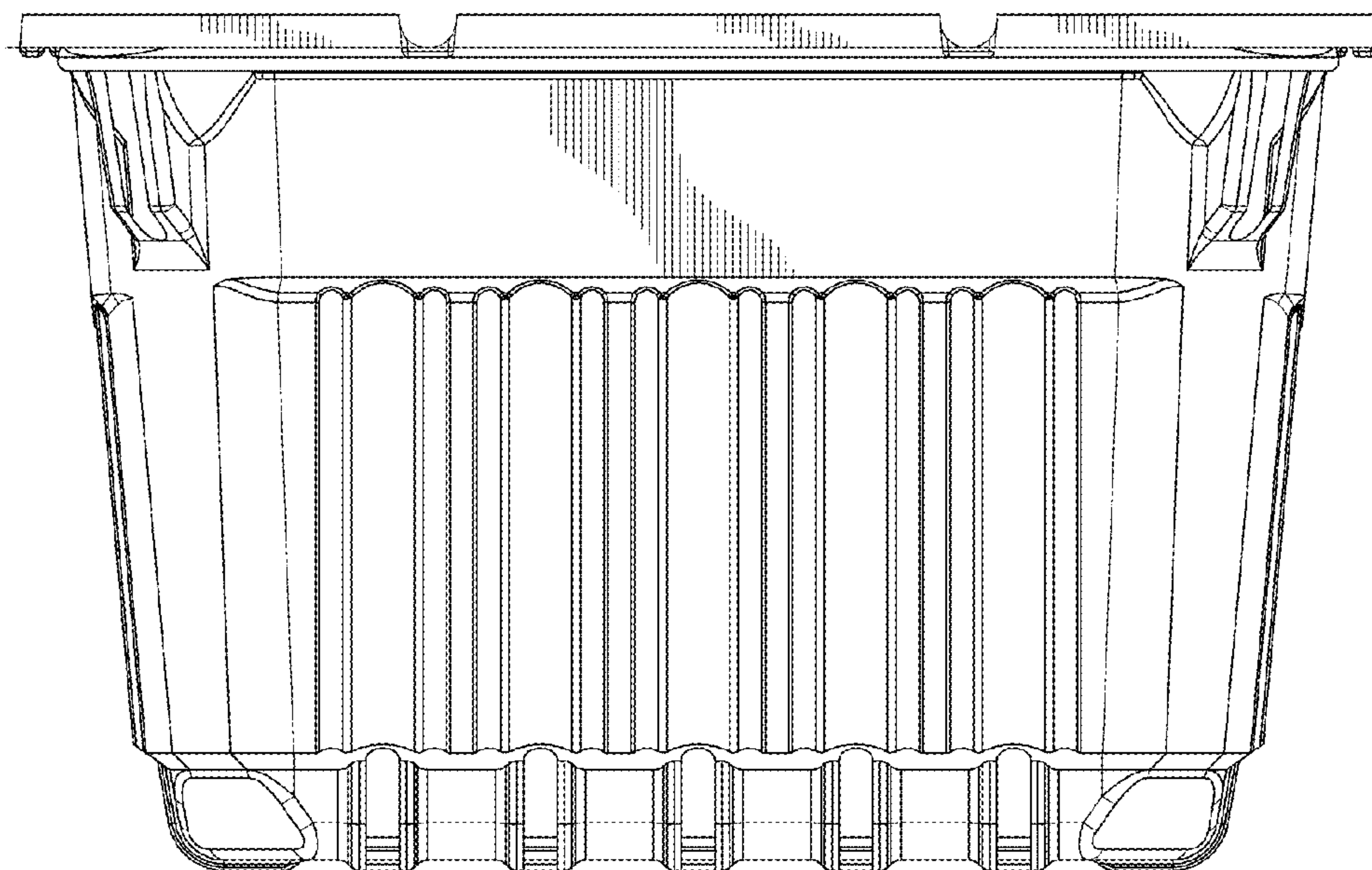


FIG. 6

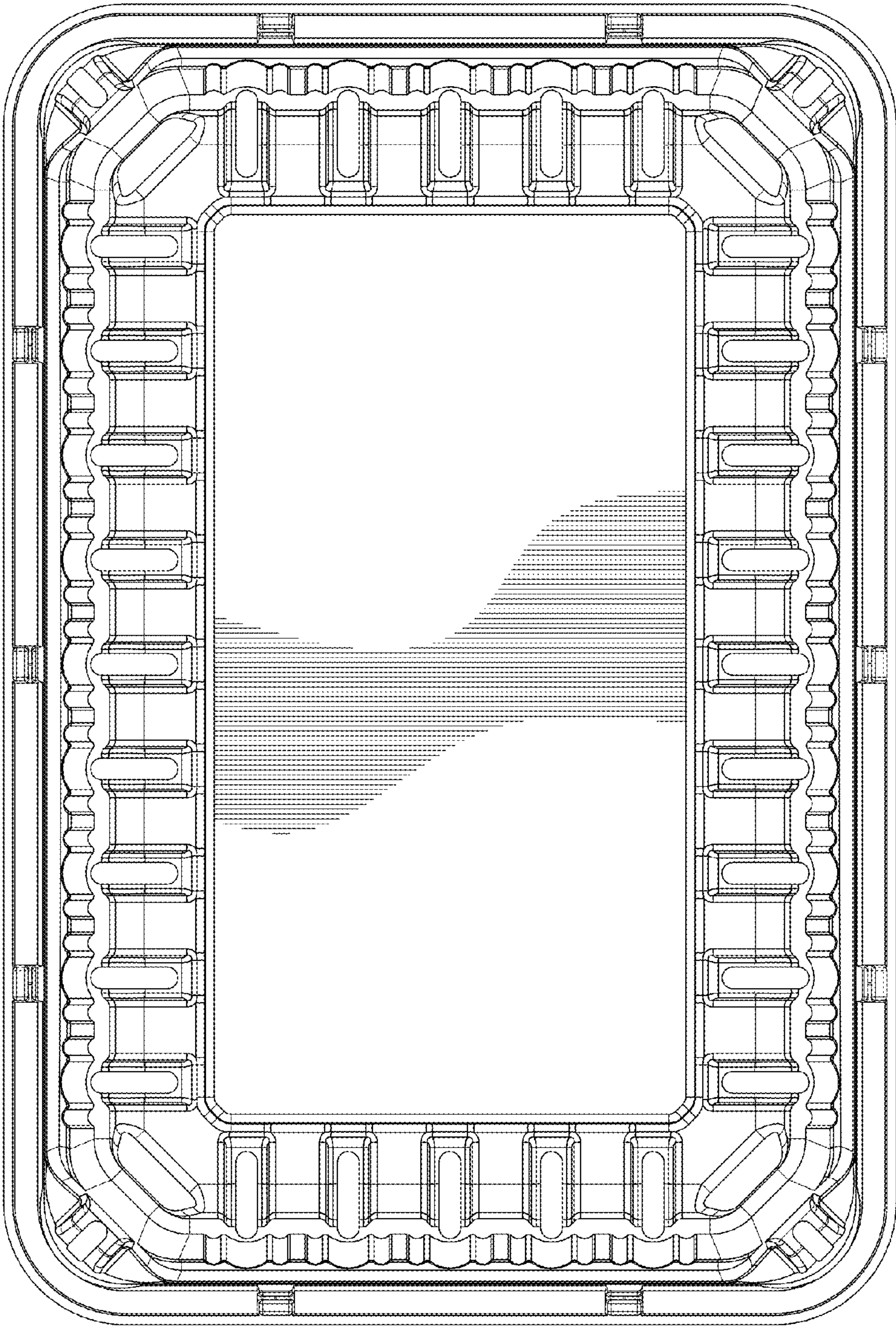


FIG. 7

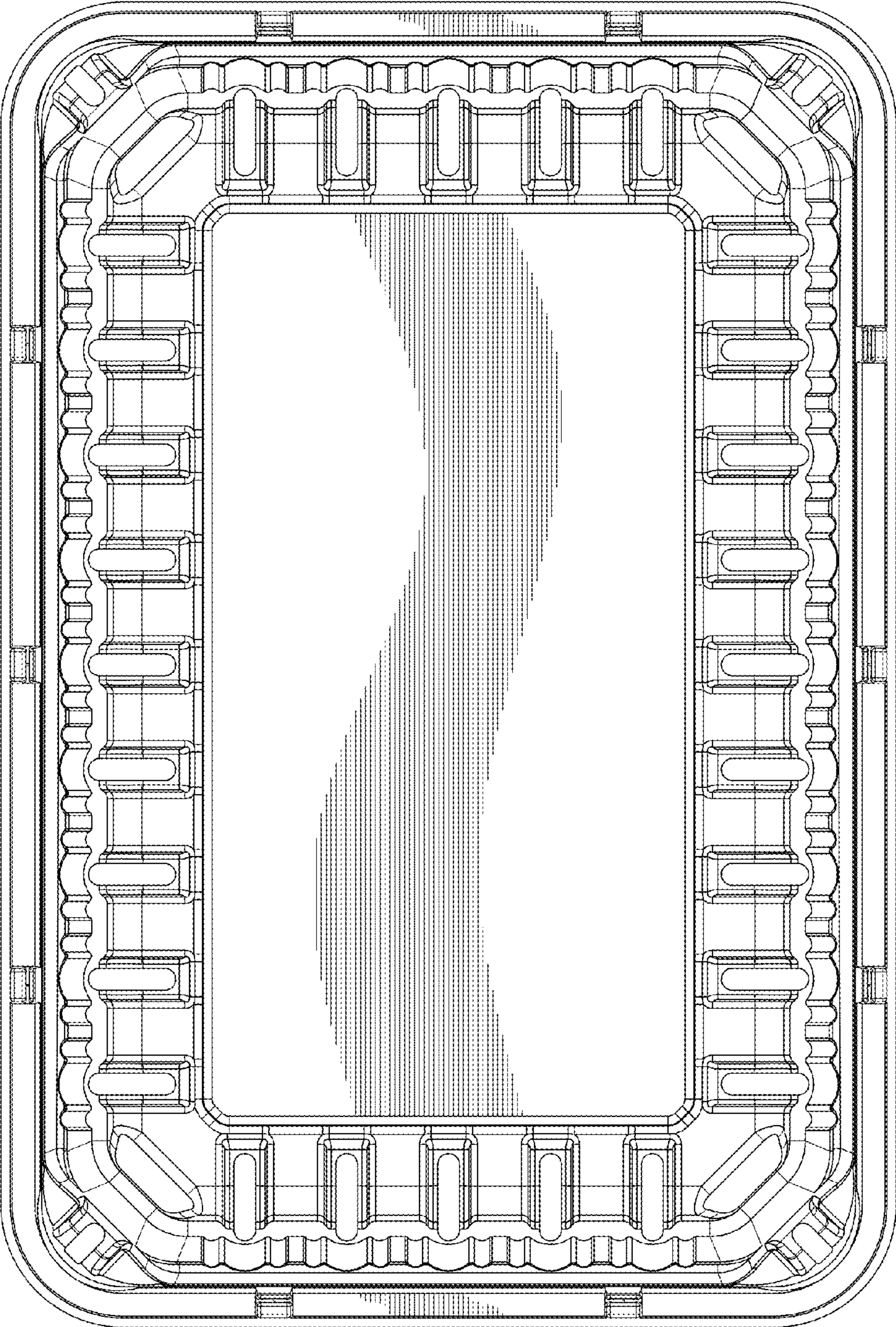


FIG. 8