



US00D746673S

(12) **United States Design Patent**
Sanfilippo et al.

(10) **Patent No.:** **US D746,673 S**
(45) **Date of Patent:** **** Jan. 5, 2016**

(54) **PACKAGE**

- (71) Applicant: **CLEAR LAM PACKAGING, INC.**,
Elk Grove Village, IL (US)
- (72) Inventors: **James J. Sanfilippo**, Barrington Hills,
IL (US); **Milorad Radenovic**, Chicago,
IL (US)
- (73) Assignee: **CLEAR LAM PACKAGING, INC.**,
Elk Grove Village, IL (US)
- (**) Term: **14 Years**
- (21) Appl. No.: **29/494,440**
- (22) Filed: **Jun. 20, 2014**
- (51) **LOC (10) Cl.** **09-03**
- (52) **U.S. Cl.**
USPC **D9/416**
- (58) **Field of Classification Search**
USPC D9/416, 414, 432, 431, 433, 423, 430,
D9/734, 739, 417, 418, 434; 229/123.3,
229/106, 108, 116.1, 207, 200, 201, 210,
229/230, 232, 122; D3/203.2
CPC B65D 5/706; B65D 3/08; B65D 5/029;
B65D 5/16; B65D 5/5435; B65D 5/5445;
B65D 77/2052
See application file for complete search history.

(56) **References Cited**

U.S. PATENT DOCUMENTS

2,017,176 A 10/1935 Andrews
2,041,227 A 5/1936 Chalmers

(Continued)

FOREIGN PATENT DOCUMENTS

EP 1106508 A1 6/2001
EP 1508531 A1 2/2005

(Continued)

OTHER PUBLICATIONS

Reynolds, "Doritos Gamer Packs function on multiple levels", Pack-aging World (Nov. 14, 2013).

(Continued)

Primary Examiner — Holly Baynham

Assistant Examiner — Rhea Shields

(74) *Attorney, Agent, or Firm* — Marshall, Gerstein & Borun
LLP

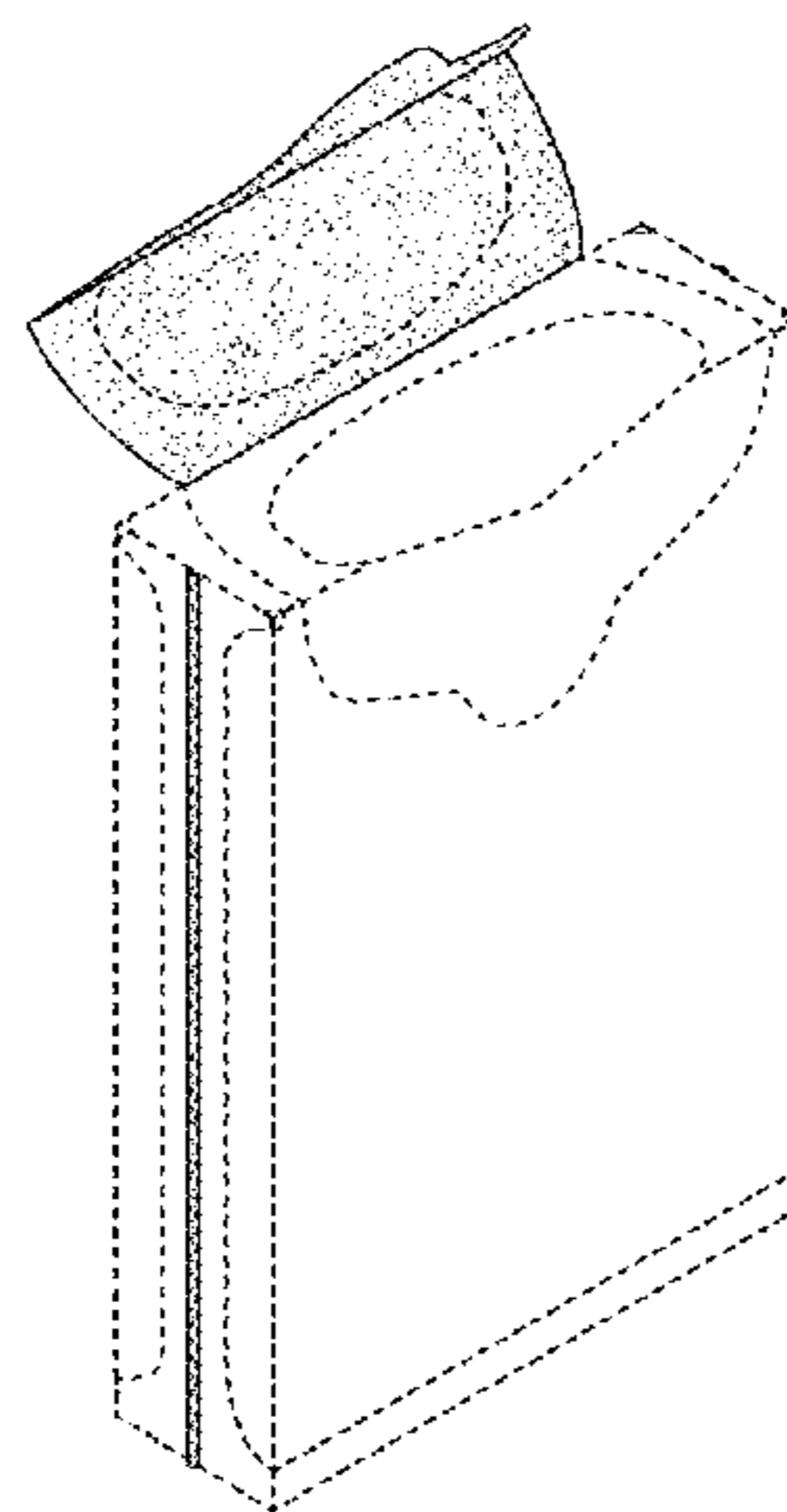
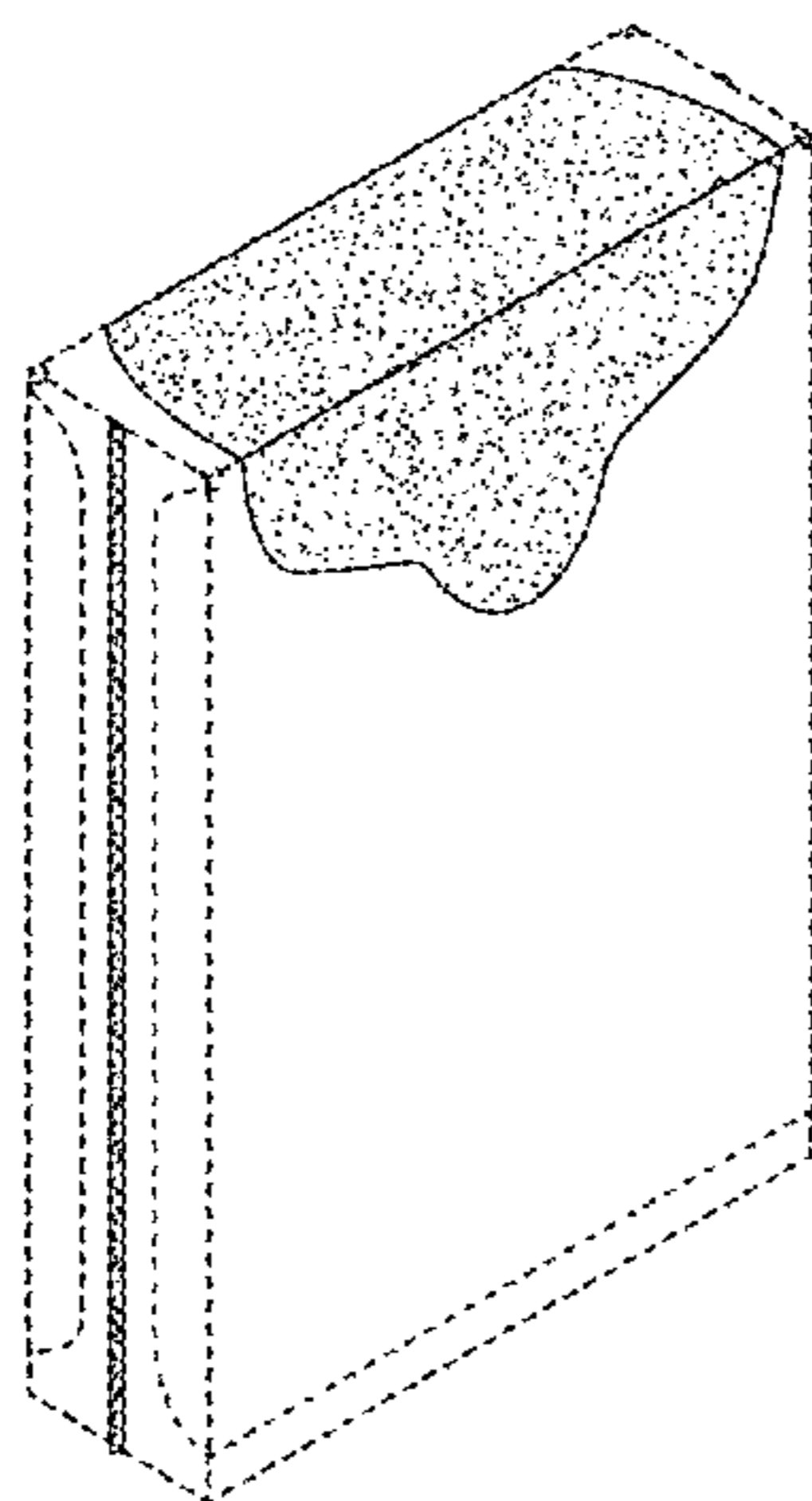
(57) **CLAIM**

The ornamental design for a package, as shown and described.

DESCRIPTION

FIG. 1 is a top, front and left side view of a first embodiment of a package showing our new design;
 FIG. 2 is a front view of the package.
 FIG. 3 is a left side view. The right-side view is a mirror image of this view.
 FIG. 4 is a top view.
 FIG. 5 is a back view.
 FIG. 6 is a front, left side, and bottom view of the package.
 FIG. 7 is a back, right side, and top view.
 FIG. 8 is a top, front and left side view of a second embodiment of a package with the lid in the open position;
 FIG. 9 is a front view thereof;
 FIG. 10 is a left side view. The right side view is a mirror image view thereof;
 FIG. 11 is a top view thereof;
 FIG. 12 is a back view thereof;
 FIG. 13 is a front left bottom view thereof; and,
 FIG. 14 is a back right top view thereof.
 In FIGS. 1-4, 6-9 and 11-14 the stippling on the top and side of the package indicates a contrast in appearance. In the drawings, the broken lines are for the purpose of illustrating environment only and form no part of the claimed design.

1 Claim, 11 Drawing Sheets



(56)

References Cited

U.S. PATENT DOCUMENTS

2,048,122 A	7/1936	Howard	5,356,069 A	10/1994	Bochet et al.
2,092,858 A	9/1937	Richard	5,366,104 A	11/1994	Armstrong
2,180,841 A	11/1939	Vogt	D354,436 S	1/1995	Krupa
2,328,579 A	9/1943	Pelosi	D364,563 S	11/1995	Miller et al.
2,339,156 A	1/1944	Duane	5,498,080 A	3/1996	Dalea et al.
2,352,766 A	7/1944	Bogue	5,505,305 A	4/1996	Scholz et al.
2,385,898 A	10/1945	Waters	5,542,902 A	8/1996	Richison et al.
2,416,332 A	2/1947	Lehman	5,556,026 A	9/1996	Blankitny
2,508,962 A	5/1950	Moore	D374,774 S	10/1996	Cassel
2,524,766 A	10/1950	Carroll	5,577,612 A	11/1996	Chesson et al.
2,619,226 A	11/1952	Adams	5,611,452 A	3/1997	Bonora et al.
2,750,093 A	6/1956	Moore	5,613,608 A	3/1997	Tronchetti et al.
2,758,775 A	8/1956	Moore	5,655,706 A	8/1997	Vandiver
2,819,831 A	1/1958	Polarek et al.	D386,001 S	11/1997	Saffran
2,936,940 A	5/1960	Berghgracht	5,704,480 A	1/1998	Scholz et al.
2,970,735 A	2/1961	Jacke	D394,606 S	5/1998	Zorn et al.
3,006,257 A	10/1961	Orsini	5,770,839 A	6/1998	Ruebush et al.
3,127,082 A	3/1964	Meyer-Jagenberg	5,772,332 A	6/1998	Geller
3,228,584 A	1/1966	Ashton	D395,952 S	7/1998	Buczynski et al.
3,259,303 A	7/1966	Repko	5,785,179 A	7/1998	Buczynski et al.
3,314,591 A	4/1967	Cheeley	5,788,121 A	8/1998	Sasaki et al.
3,349,959 A	10/1967	Watkins	5,788,378 A	8/1998	Thomas
3,373,917 A	3/1968	Cox	5,791,465 A	8/1998	Niki et al.
3,380,646 A	4/1968	Doyen et al.	D398,526 S	9/1998	Schwarz et al.
3,426,499 A	2/1969	Paige	D398,844 S	9/1998	Oberloier
3,434,652 A	3/1969	Shore	5,799,863 A	9/1998	Capy et al.
3,437,258 A	4/1969	Kugler	5,826,401 A	10/1998	Bois
3,462,067 A	8/1969	Shore	5,842,790 A	12/1998	Imer
3,505,779 A	4/1970	Kopp	5,862,652 A	1/1999	Schoeler
3,562,392 A	2/1971	Mylus	D409,484 S	5/1999	Tasker
3,604,491 A	9/1971	Spiess	D412,439 S	8/1999	Cormack
3,738,567 A	6/1973	Ruda	6,005,234 A	12/1999	Moseley et al.
3,739,977 A	6/1973	Shapiro et al.	6,021,624 A	2/2000	Richison et al.
3,785,112 A	1/1974	Leasure et al.	6,026,953 A	2/2000	Nakamura et al.
3,917,158 A	11/1975	Dorofachuk et al.	D421,901 S	3/2000	Hill
3,935,993 A	2/1976	Doyen et al.	D421,902 S	3/2000	Hill
3,940,054 A	2/1976	Goebel et al.	6,036,365 A	3/2000	Imer
3,968,921 A	7/1976	Jewell	D427,056 S	6/2000	Irace et al.
3,980,225 A	9/1976	Kan	6,113,271 A	9/2000	Scott et al.
4,041,851 A	8/1977	Jentsch	6,120,183 A	9/2000	Buchanan et al.
4,101,051 A	7/1978	Reil	D431,464 S	10/2000	Collins et al.
4,129,976 A	12/1978	Grundler et al.	6,137,098 A	10/2000	Moseley et al.
4,197,949 A	4/1980	Carlsson	6,149,304 A	11/2000	Hamilton et al.
4,308,679 A	1/1982	Ray, III et al.	D437,686 S	2/2001	Balzar et al.
D265,777 S	8/1982	Elzea et al.	6,182,887 B1	2/2001	Ljunstrom et al.
4,345,393 A	8/1982	Price et al.	6,229,061 B1	5/2001	Dragoo et al.
D266,049 S	9/1982	Conti	6,231,237 B1	5/2001	Geller
4,353,497 A	10/1982	Bustin	6,261,215 B1	7/2001	Imer
4,512,476 A	4/1985	Herrington, Jr.	D446,014 S	8/2001	Adkins
4,531,668 A	7/1985	Forbes, Jr.	6,273,610 B1	8/2001	Koyama et al.
4,576,309 A	3/1986	Tzifkansky et al.	6,274,181 B1	8/2001	Richison et al.
D285,777 S	9/1986	Forbes, Jr.	D450,960 S	11/2001	Boyea et al.
D286,745 S	11/1986	Forbes, Jr.	D452,374 S	12/2001	Kim
4,687,104 A	8/1987	Ielmini	6,325,239 B2	12/2001	Randall et al.
4,738,365 A	4/1988	Prater	6,423,356 B2	7/2002	Richison et al.
4,746,019 A	5/1988	Prater	D461,403 S	8/2002	Chomik et al.
D297,214 S	8/1988	Forbes, Jr.	D461,404 S *	8/2002	Steiger D9/430
4,790,436 A	12/1988	Nakamura	D463,276 S	9/2002	Piscopo et al.
4,798,295 A	1/1989	Rausing	6,446,796 B1	9/2002	Schmidt
4,837,849 A	6/1989	Erickson et al.	D464,884 S	10/2002	Sumpmann et al.
4,848,575 A	7/1989	Nakamura et al.	D464,894 S	10/2002	Mittersinker et al.
4,851,246 A	7/1989	Maxwell et al.	6,481,183 B1	11/2002	Schmidt
D304,016 S	10/1989	Forbes, Jr.	D466,807 S	12/2002	Buck et al.
D315,099 S	3/1991	Alizard	6,510,673 B1	1/2003	Visona' et al.
5,036,997 A	8/1991	May et al.	6,513,308 B1	2/2003	Meeuwesen et al.
5,044,777 A	9/1991	Watkins et al.	D471,804 S	3/2003	Staples
5,059,036 A	10/1991	Richison et al.	D473,461 S	4/2003	Joubert
5,065,887 A	11/1991	Schuh et al.	6,615,567 B2	9/2003	Kuhn et al.
5,158,371 A	10/1992	Moravek	6,659,645 B1	12/2003	Schulz
D332,399 S	1/1993	Neff	D485,461 S	1/2004	Sams et al.
5,195,829 A	3/1993	Watkins et al.	6,679,034 B2	1/2004	Kohl et al.
5,205,651 A	4/1993	Decottignies et al.	D486,731 S *	2/2004	Meeker et al. D9/416
5,254,073 A	10/1993	Richison et al.	6,695,757 B2	2/2004	Edwards et al.
D351,090 S	10/1994	Narsutis	D487,192 S	3/2004	Farnham et al.
5,353,946 A	10/1994	Behrend	D489,530 S	5/2004	Lindsay
			6,729,112 B2	5/2004	Kuss et al.
			6,736,309 B1	5/2004	Westerman et al.
			6,746,388 B2	6/2004	Edwards et al.
			6,761,279 B1	7/2004	Martin et al.

(56)

References Cited

U.S. PATENT DOCUMENTS

6,783,277 B2 8/2004 Edwards et al.
 6,817,160 B2 11/2004 Schmidt
 D501,134 S 1/2005 Takahashi et al.
 6,845,602 B2 1/2005 Drut
 D502,095 S 2/2005 Tucker et al.
 D503,336 S 3/2005 Tucker et al.
 D504,622 S 5/2005 Takahashi et al.
 6,918,532 B2 7/2005 Sierra-Gomez et al.
 6,953,069 B2 10/2005 Galomb
 D513,870 S 1/2006 Rosine et al.
 D514,439 S 2/2006 Snedden et al.
 D528,010 S 9/2006 Yashima et al.
 D531,894 S 11/2006 Ramirez et al.
 7,153,026 B2 12/2006 Galomb
 D535,187 S * 1/2007 Clark et al. D9/430
 7,156,556 B2 1/2007 Takahashi et al.
 D536,608 S 2/2007 Arkins
 7,213,710 B2 5/2007 Cotert
 D544,762 S 6/2007 Zimmerman
 D545,186 S 6/2007 Liebe et al.
 D548,080 S 8/2007 Brown et al.
 D551,508 S 9/2007 Friedland et al.
 D552,468 S 10/2007 Seum et al.
 7,299,608 B2 11/2007 Kohl et al.
 D569,719 S 5/2008 Ross
 D571,146 S 6/2008 Sanfilippo et al.
 D571,197 S 6/2008 Sanfilippo et al.
 D591,555 S 5/2009 Sanfilippo et al.
 D593,369 S 6/2009 Green et al.
 D604,502 S * 11/2009 Lee et al. D3/203.2
 D608,193 S 1/2010 Sanfilippo et al.
 7,665,629 B2 2/2010 Julius et al.
 7,665,895 B2 2/2010 Takita et al.
 7,780,006 B2 8/2010 Clark, Jr. et al.
 D629,296 S 12/2010 De Muynck
 D637,577 S 5/2011 Han et al.
 D639,679 S * 6/2011 Kissner et al. D9/739
 7,993,256 B2 8/2011 Takita et al.
 8,006,833 B2 8/2011 Clark, Jr. et al.
 8,038,349 B2 10/2011 Andersson et al.
 D648,302 S 11/2011 Park et al.
 8,066,137 B2 11/2011 Sanfilippo et al.
 8,132,395 B2 3/2012 Gehring et al.
 8,231,024 B2 7/2012 Sanfilippo et al.
 D668,949 S * 10/2012 Hipperson et al. D9/423
 8,276,353 B2 10/2012 Reaves et al.
 8,308,363 B2 11/2012 Vogt et al.
 D676,014 S 2/2013 Chung
 D682,244 S 5/2013 Park et al.
 D684,853 S * 6/2013 Dagnino D9/417
 D686,181 S 7/2013 Jeong
 D689,767 S 9/2013 Clark et al.
 D689,769 S * 9/2013 Oates et al. D9/627

D696,107 S 12/2013 Kimple et al.
 8,602,242 B2 12/2013 Sanfilippo et al.
 8,602,244 B2 12/2013 Sanfilippo et al.
 D702,117 S * 4/2014 Dagnino D9/417
 D703,036 S * 4/2014 Baumwald et al. D9/418
 2001/0005979 A1 7/2001 Kuss et al.
 2001/0040107 A1 11/2001 Tourre et al.
 2002/0094922 A1 7/2002 Edwards et al.
 2003/0041564 A1 3/2003 Schmidt
 2003/0059130 A1 3/2003 Yoneyama et al.
 2003/0100424 A1 5/2003 Barmore et al.
 2003/0111523 A1 6/2003 Haugan
 2003/0230504 A1 12/2003 Hamming
 2004/0089578 A1 5/2004 Lin
 2004/0099570 A1 5/2004 Cargile
 2004/0185156 A1 9/2004 Garwood
 2004/0188457 A1 9/2004 Galomb
 2004/0226625 A1 11/2004 Galomb
 2004/0232029 A1 11/2004 Cotert
 2004/0251163 A1 12/2004 Conde et al.
 2005/0011906 A1 1/2005 Buck et al.
 2005/0053315 A1 3/2005 Aasen
 2005/0069230 A1 3/2005 Takahashi et al.
 2005/0109827 A1 5/2005 Martin
 2005/0150785 A1 7/2005 Julius et al.
 2005/0189367 A1 9/2005 Chasid et al.
 2005/0208188 A1 9/2005 Garwood
 2005/0276525 A1 12/2005 Hebert et al.
 2006/0076352 A1 4/2006 Peterson et al.
 2006/0283750 A1 12/2006 Villars et al.
 2007/0151887 A1 7/2007 Clark et al.
 2009/0039078 A1 2/2009 Sanfilippo et al.
 2009/0120828 A1 5/2009 Sanfilippo et al.
 2009/0152290 A1 6/2009 Wang et al.
 2010/0113240 A1 5/2010 Takita et al.
 2010/0140129 A1 6/2010 Sanfilippo et al.
 2011/0297690 A1 12/2011 Teys et al.
 2012/0125937 A1 5/2012 Ahlstrom et al.
 2014/0083897 A1 3/2014 Sanfilippo et al.
 2014/0102936 A1 4/2014 Sanfilippo et al.
 2014/0109522 A1 4/2014 Sanfilippo et al.

FOREIGN PATENT DOCUMENTS

FR 2766794 A1 2/1999
 JP 10-203560 8/1998
 WO WO-86/06344 A1 11/1986
 WO WO-00/12407 A1 3/2000
 WO WO-02/085726 A1 10/2002
 WO WO-2004110885 A1 12/2004

OTHER PUBLICATIONS

Color photographs of Frito-Lay Doritos "Gamer Pack" package (circa 2013).

* cited by examiner

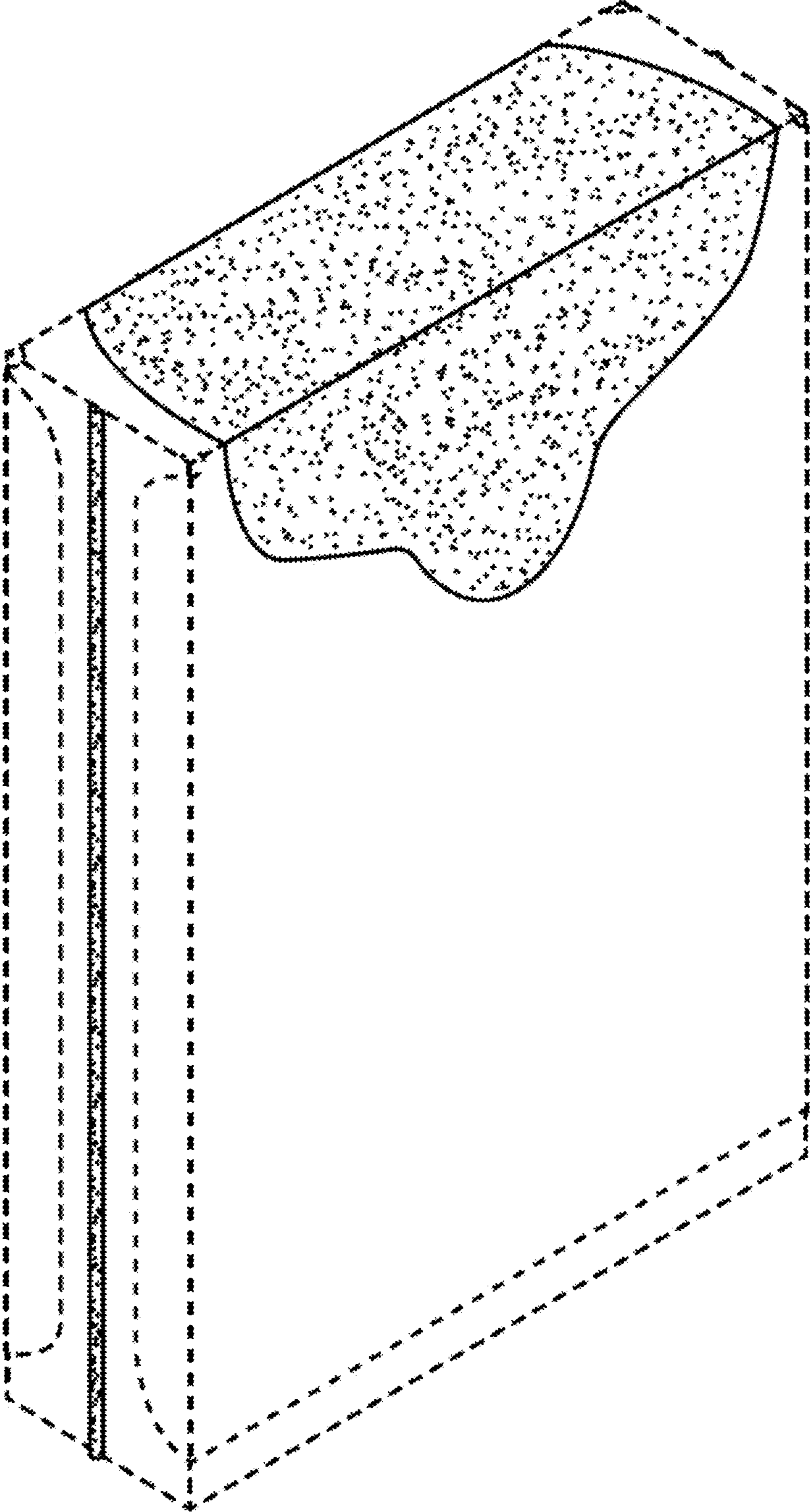


Fig. 1

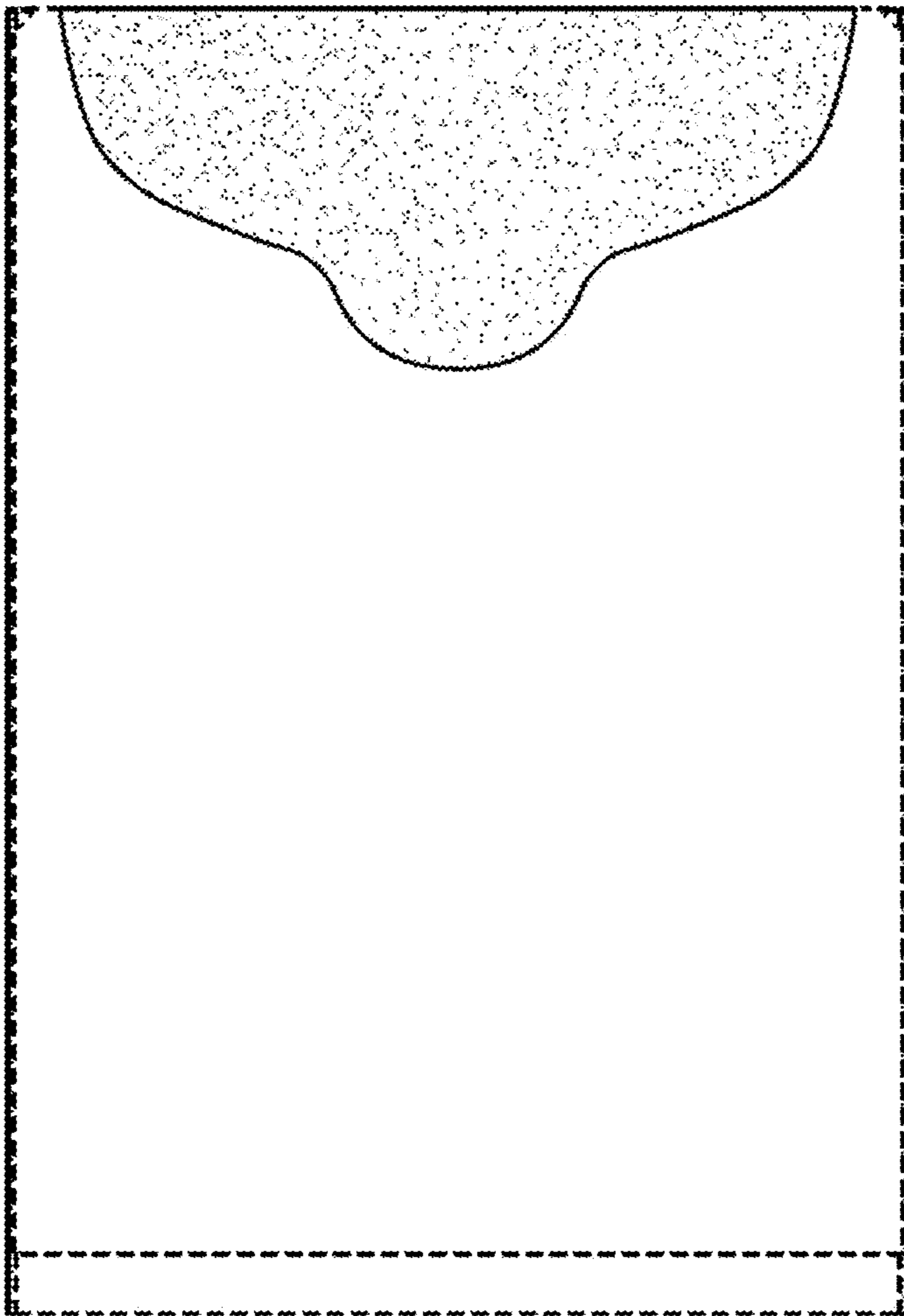


Fig. 2

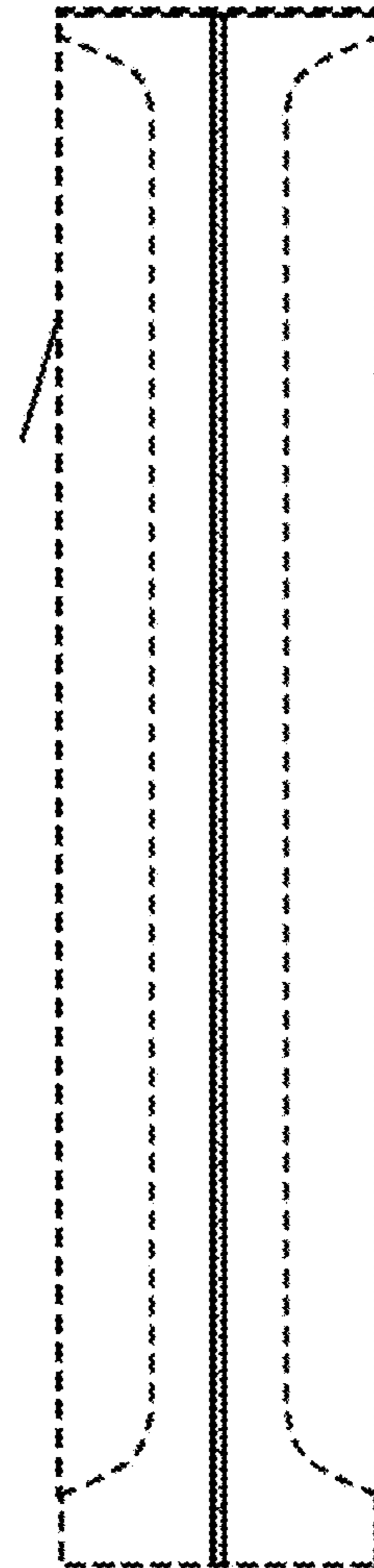


Fig. 3

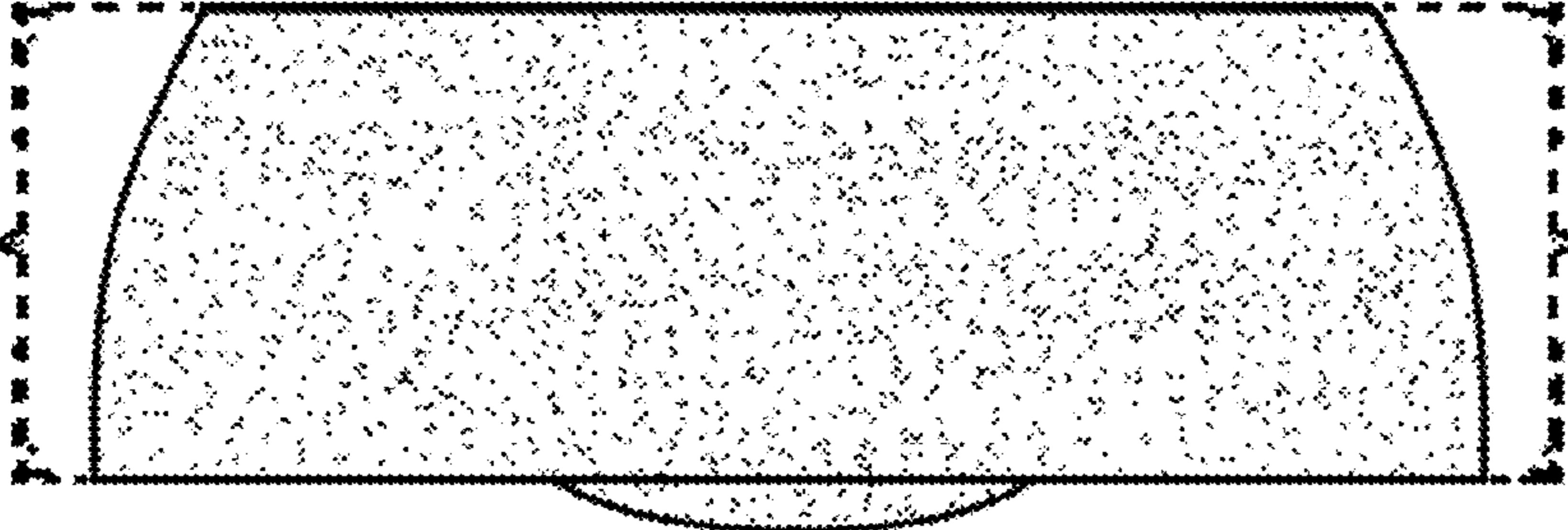


Fig. 4

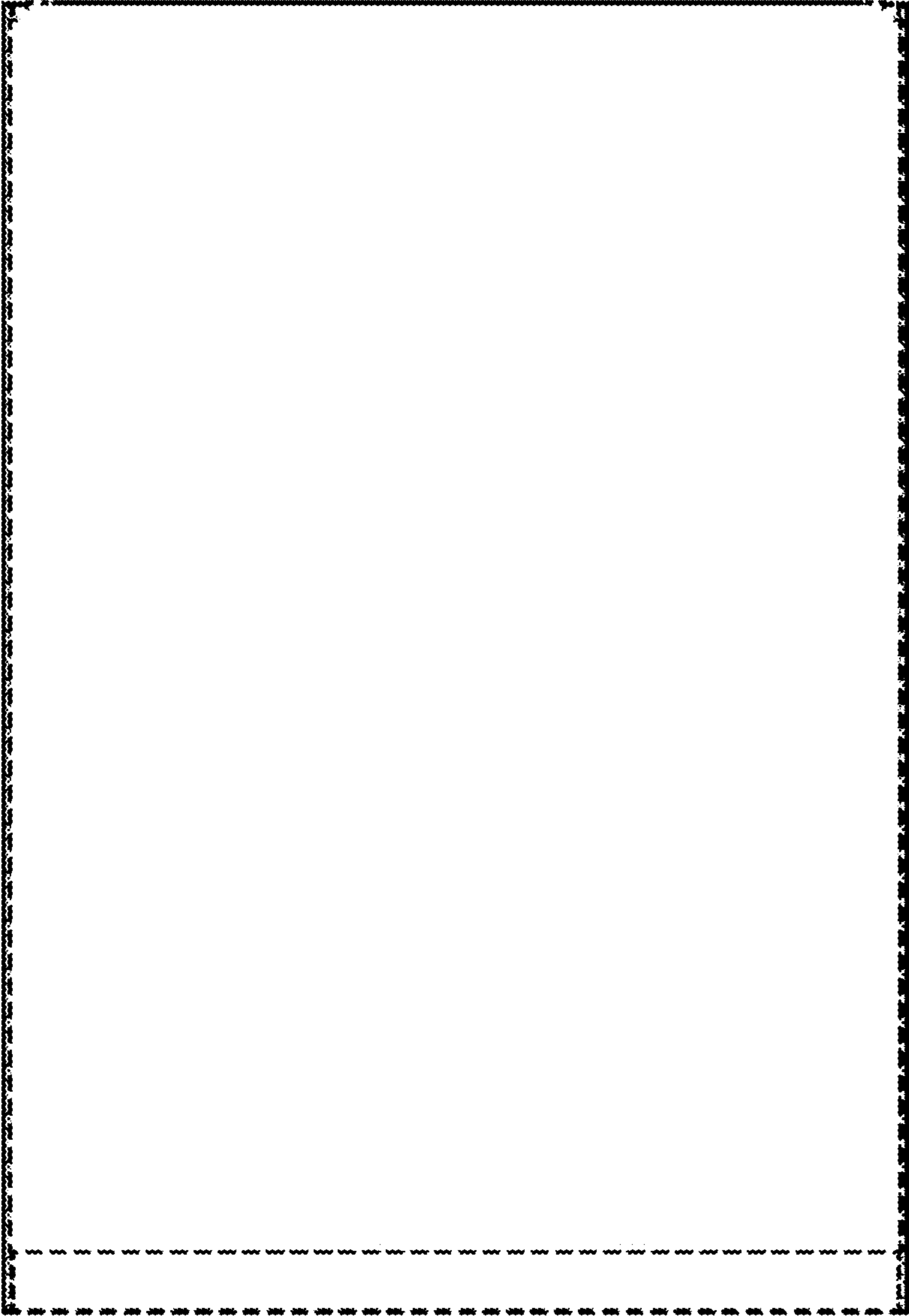


Fig. 5

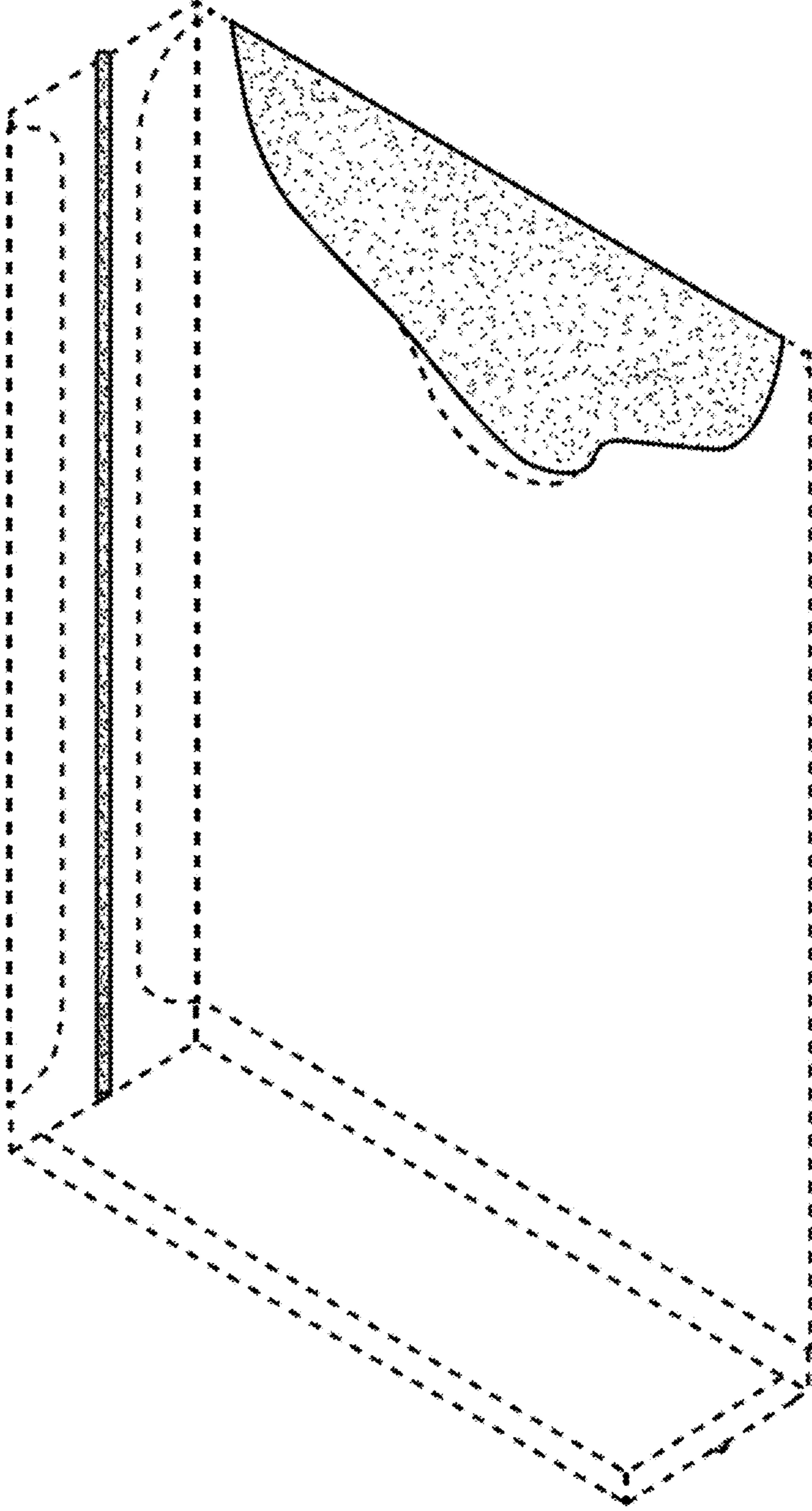


Fig. 6

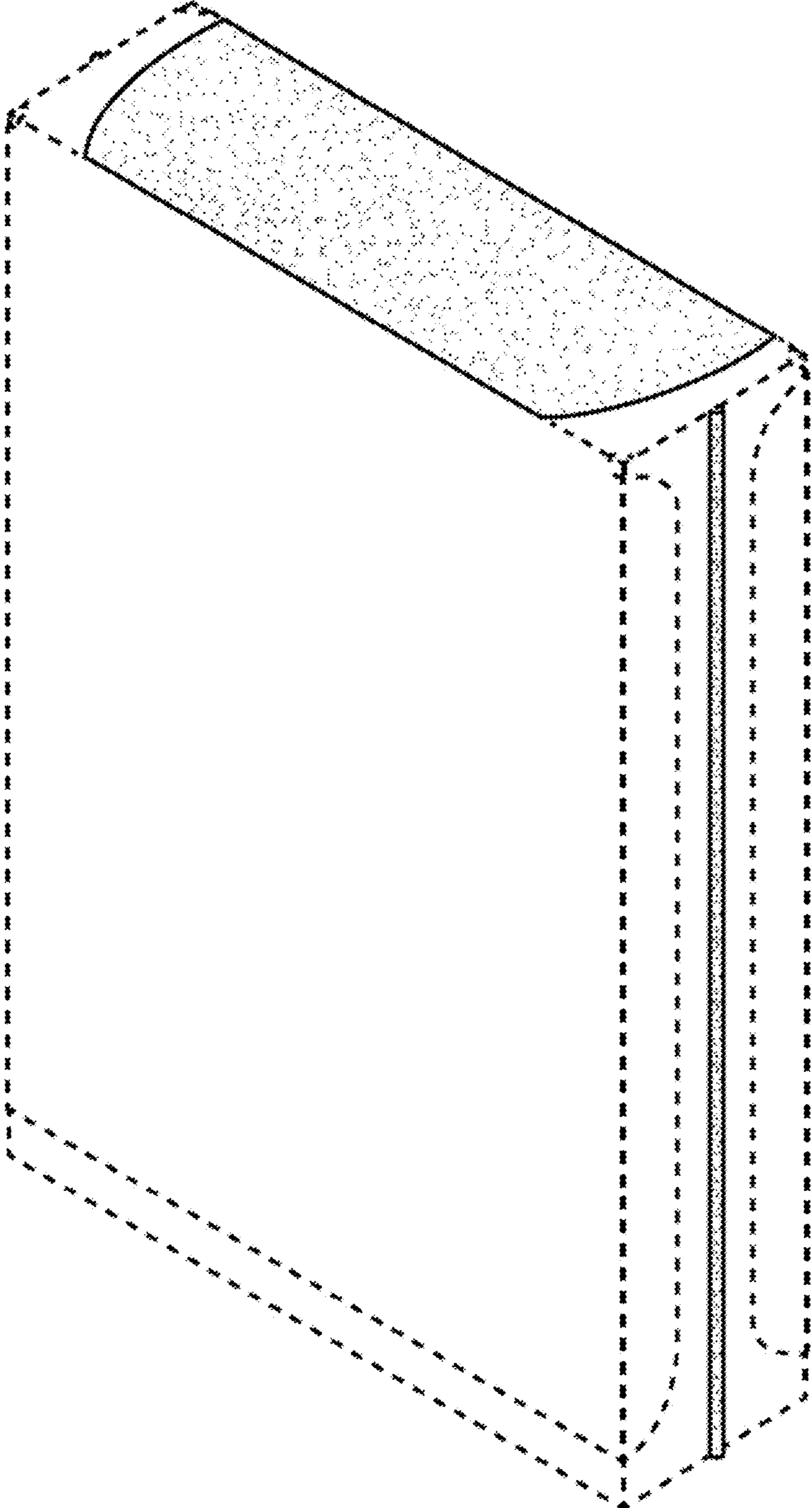


Fig. 7

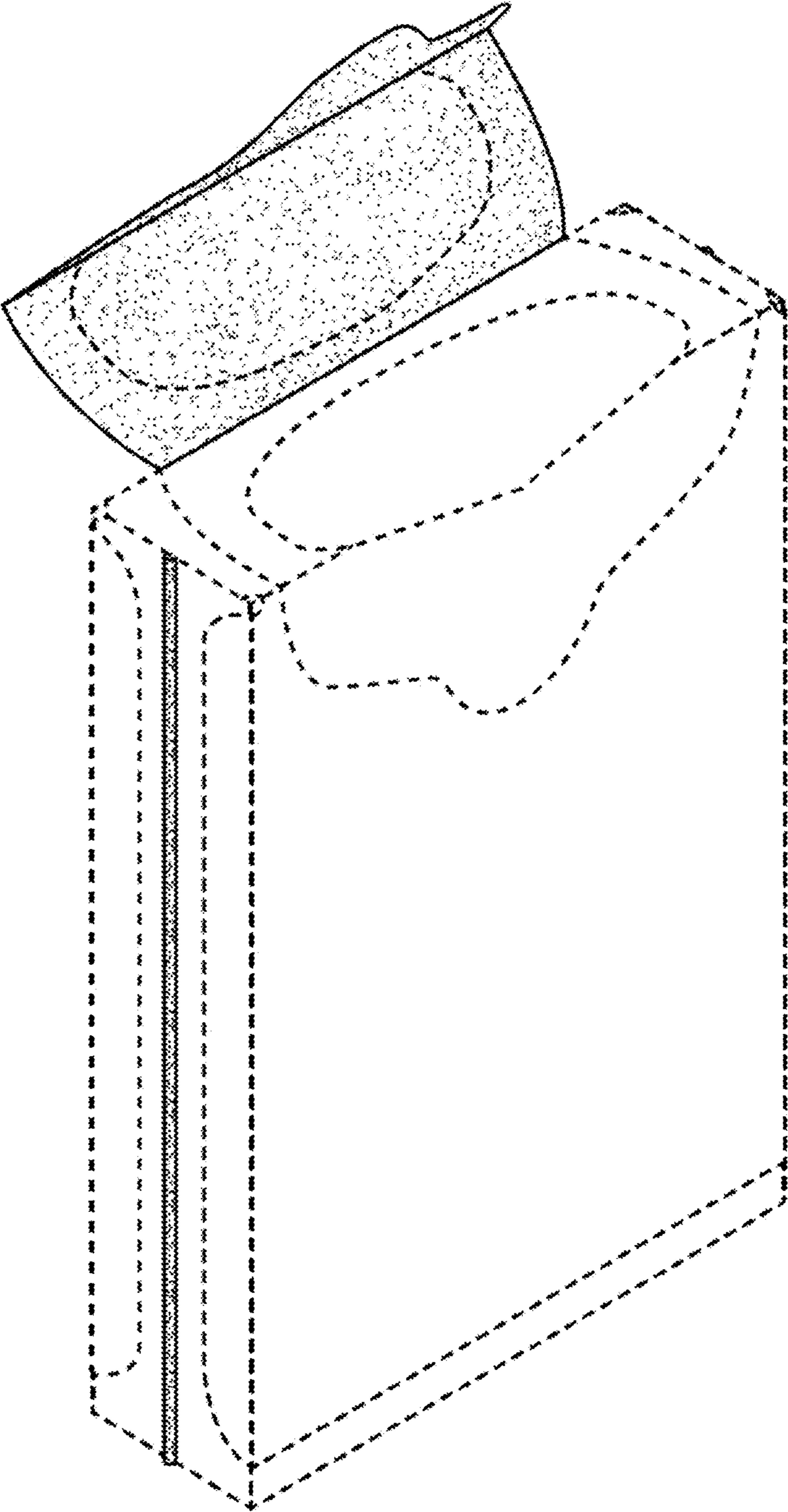


Fig. 8

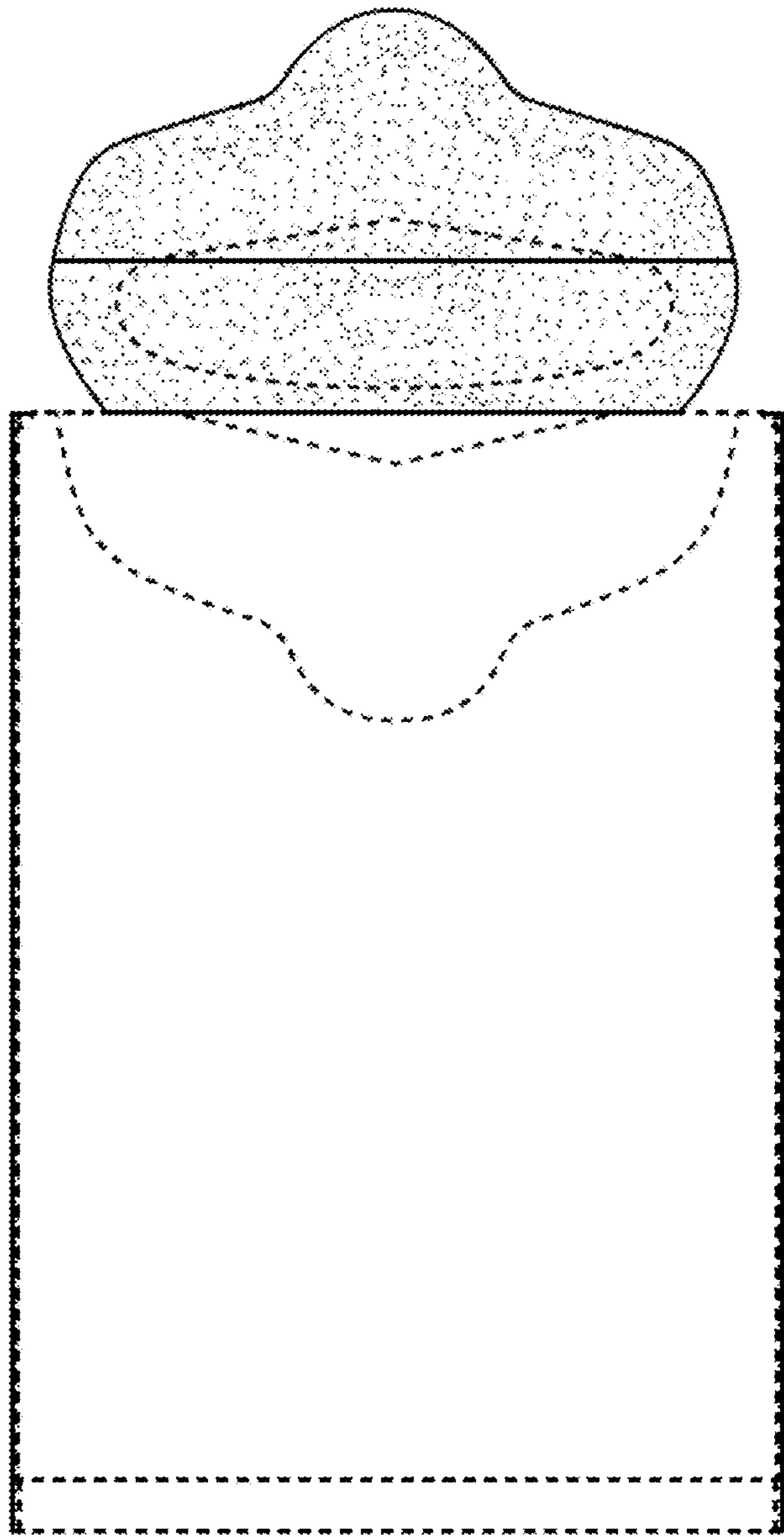


Fig. 9

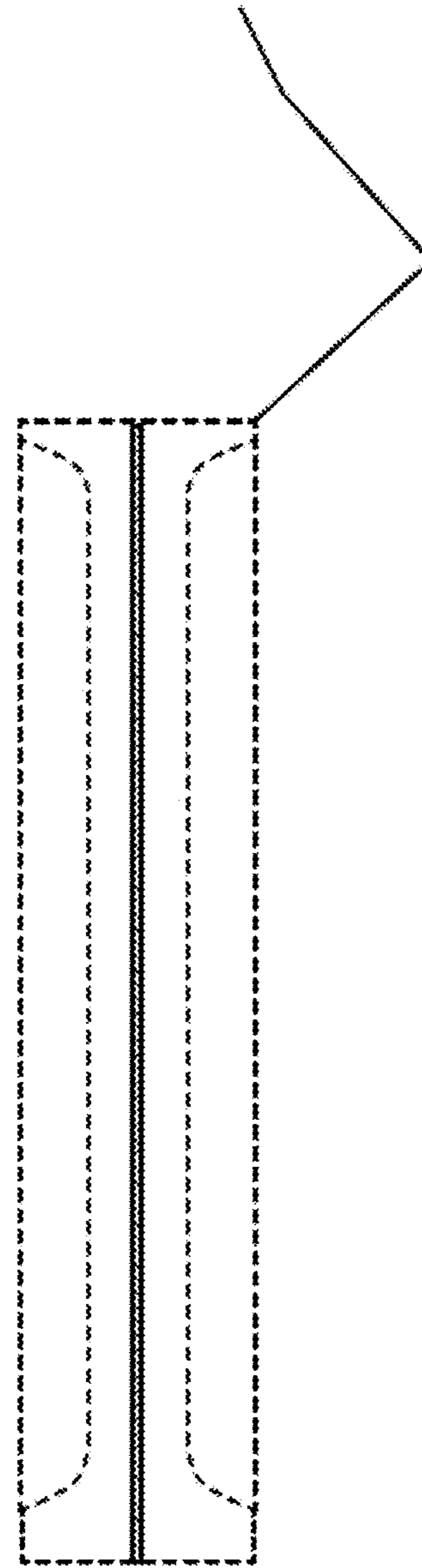


Fig. 10

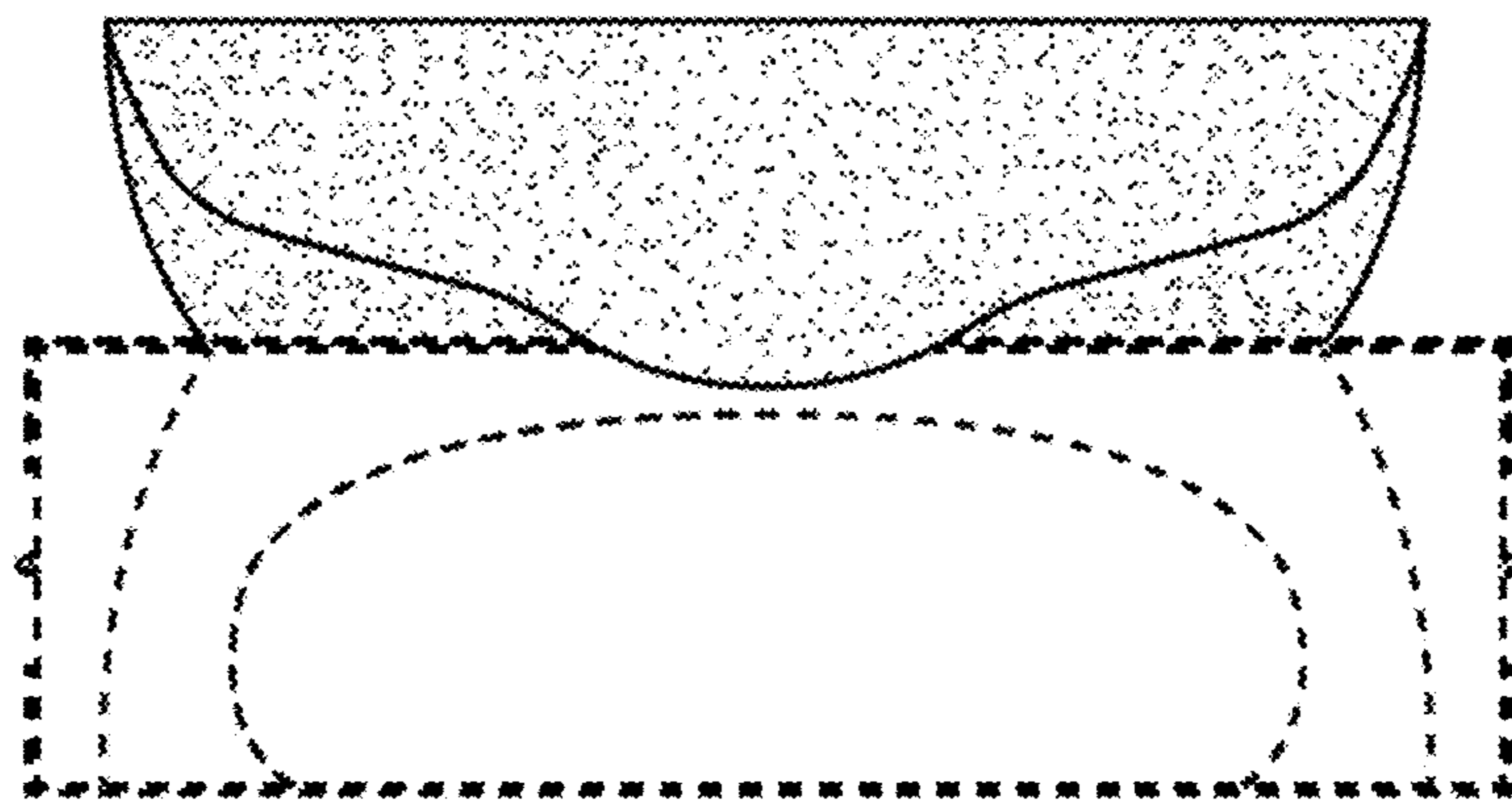


Fig. 11

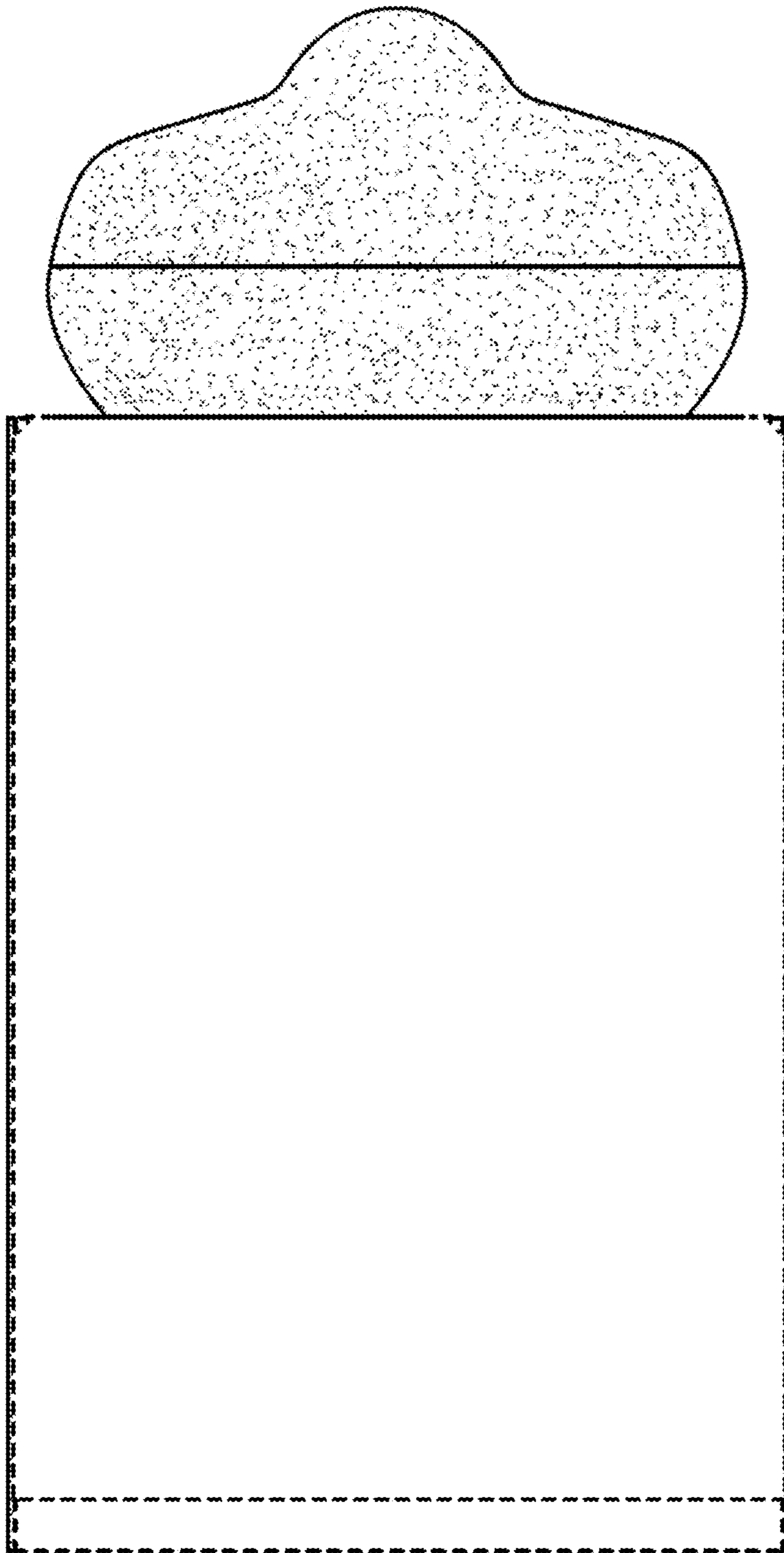


Fig. 12

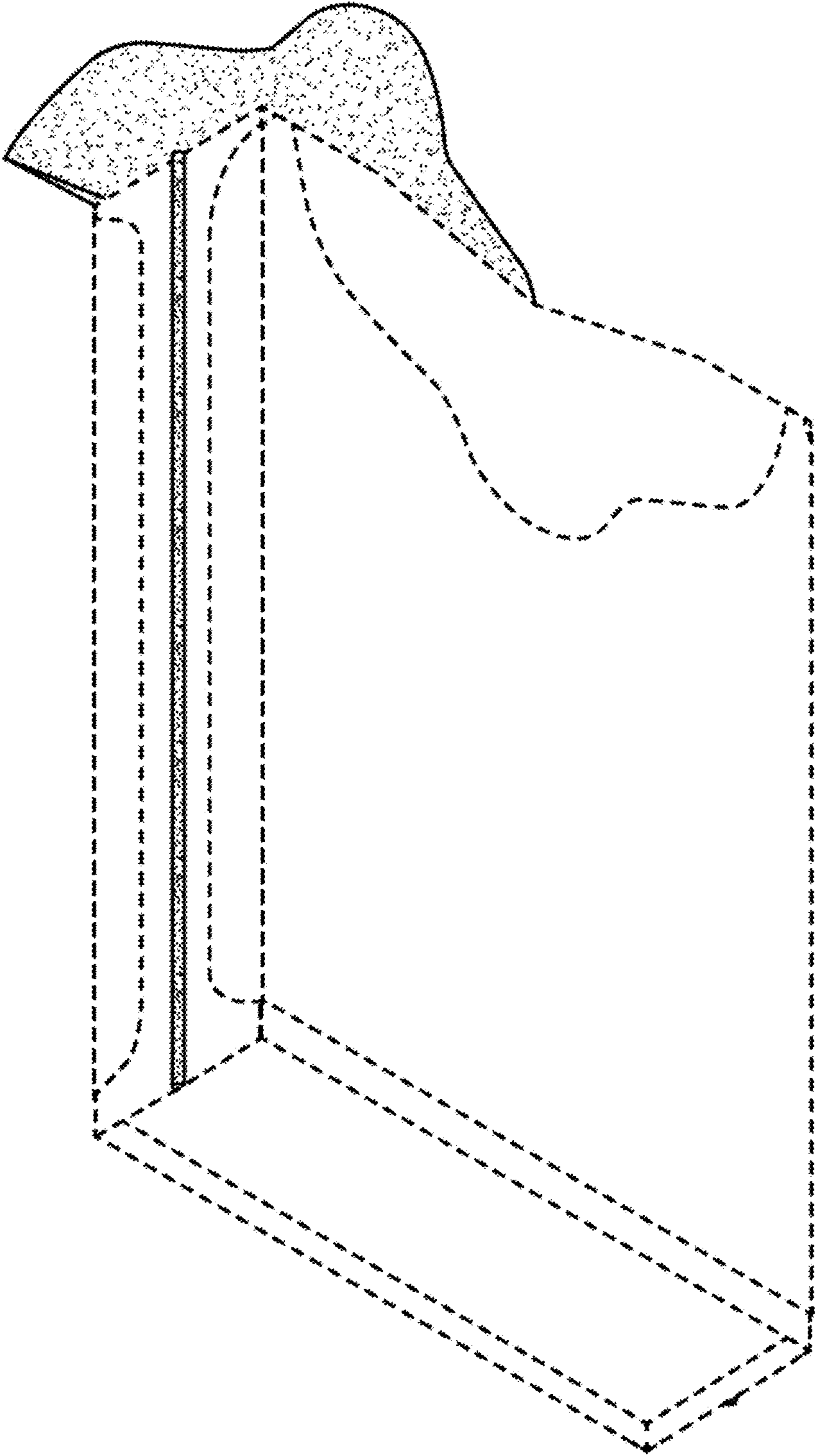


Fig. 13

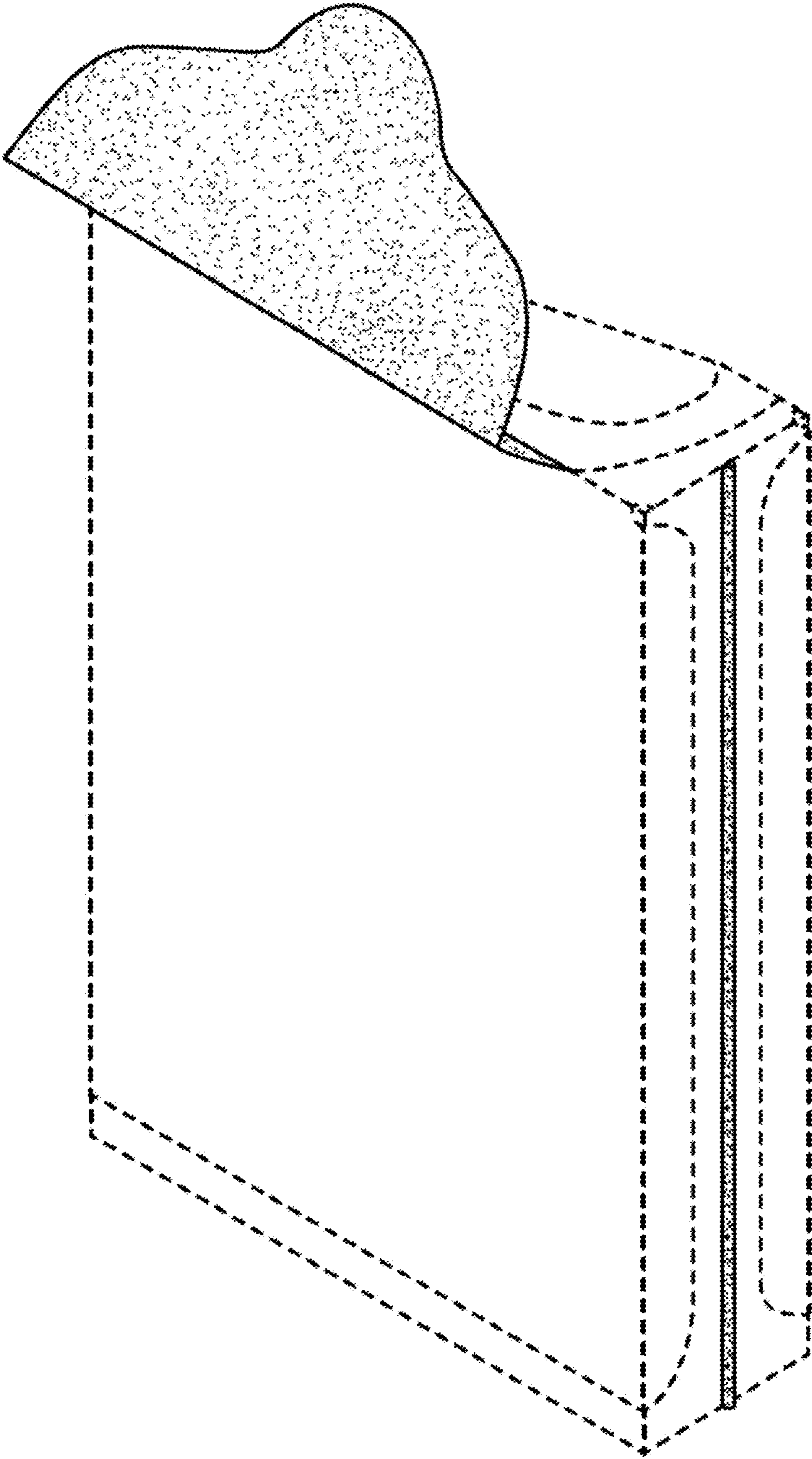


Fig. 14