



US00D746672S

(12) **United States Design Patent**
McNamee

(10) **Patent No.:** **US D746,672 S**
(45) **Date of Patent:** **** Jan. 5, 2016**

(54) **BOX**

(71) Applicant: **PUNCH INDUSTRIES**, Damastown,
Dublin (IE)

(72) Inventor: **Patrick McNamee**, Rochestown (IE)

(**) Term: **14 Years**

(21) Appl. No.: **29/478,473**

(22) Filed: **Jan. 6, 2014**

(51) **LOC (10) Cl.** **09-03**

(52) **U.S. Cl.**
USPC **D9/416**

(58) **Field of Classification Search**

USPC D9/415, 414, 419, 418, 433, 722, 457,
D9/456, 499, 715, 731, 668, 434, 737,
D9/435; 206/494, 554; D6/515; 221/63,
221/45; 229/212, 123.1

See application file for complete search history.

(56) **References Cited**

U.S. PATENT DOCUMENTS

115,184	A	5/1871	Fleming	
544,853	A	8/1895	Karass	
2,529,853	A *	11/1950	Taggart	221/63
2,621,788	A *	12/1952	Hitchcock	221/63
3,021,002	A *	2/1962	Guyer	206/494
3,144,191	A *	8/1964	Saidel	229/212
3,145,840	A *	8/1964	Wright	206/494
3,254,793	A *	6/1966	Palmer	221/63
3,826,361	A *	7/1974	Heckrodt	206/409
4,175,673	A *	11/1979	McDonald et al.	221/63
D268,649	S *	4/1983	Adamson et al.	D9/416
4,512,476	A *	4/1985	Herrington, Jr.	206/554
4,997,105	A *	3/1991	Fischer	221/45
5,556,026	A *	9/1996	Blankitny	229/123.1
5,996,797	A *	12/1999	Flaig	206/494
D423,363	S	4/2000	Loughnane	
D433,328	S	11/2000	Loughnane	
6,499,626	B1 *	12/2002	Julius	221/63

(Continued)

Primary Examiner — Holly Baynham
Assistant Examiner — Rhea Shields

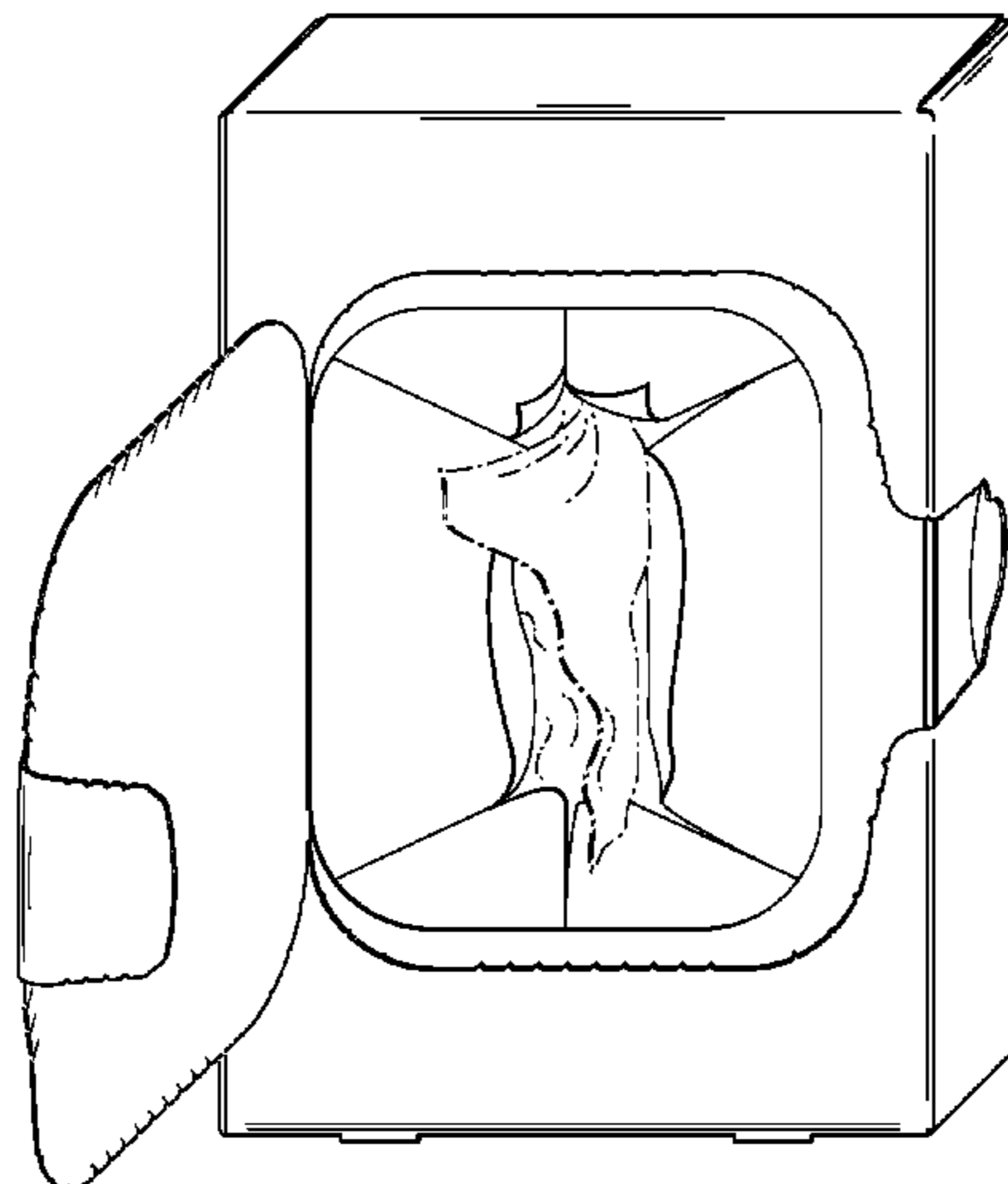
(57) **CLAIM**

The ornamental design for box, as shown and described.

DESCRIPTION

FIG. 1 is a top perspective view in the closed position of an exemplary box for holding fabric sheets;
 FIG. 2 is a top view in the closed position of the box in FIG. 1;
 FIG. 3 is a bottom view in the closed position of the box in FIG. 1;
 FIG. 4 is a front view in the closed position of the box in FIG. 1;
 FIG. 5 is a rear view in the closed position of the box in FIG. 1;
 FIG. 6 is a left side view in the closed position of the box in FIG. 1;
 FIG. 7 is a right side view in the closed position of the box in FIG. 1;
 FIG. 8 is a top perspective view in the open position of the box in FIG. 1;
 FIG. 9 is a top view in the open position of the box in FIG. 1;
 FIG. 10 is a bottom view in the open position of the box in FIG. 1;
 FIG. 11 is a front view in the open position of the box in FIG. 1;
 FIG. 12 is a rear view in the open position of the box in FIG. 1;
 FIG. 13 is a right side view in the open position of the box in FIG. 1;
 FIG. 14 is a left side view in the open position of the box in FIG. 1; and,
 FIG. 15 is a top perspective view in the open position of the box in FIG. 1, containing fabric sheets.
 In FIGS. 1 through 4 and 11, the broken lines depict perforations in the box material. In FIG. 15, the additional broken lines are for the purpose of illustrating environment only and form no part of the claimed design.

1 Claim, 15 Drawing Sheets



US D746,672 S

Page 2

(56)

References Cited

U.S. PATENT DOCUMENTS

	D488,214 S	4/2004	Quantin	
	D502,814 S	3/2005	Maguire et al.	
	D679,582 S *	4/2013	Witte et al.	D9/416
6,592,004 B2 *	7/2003	Huang et al.	221/63	* cited by examiner

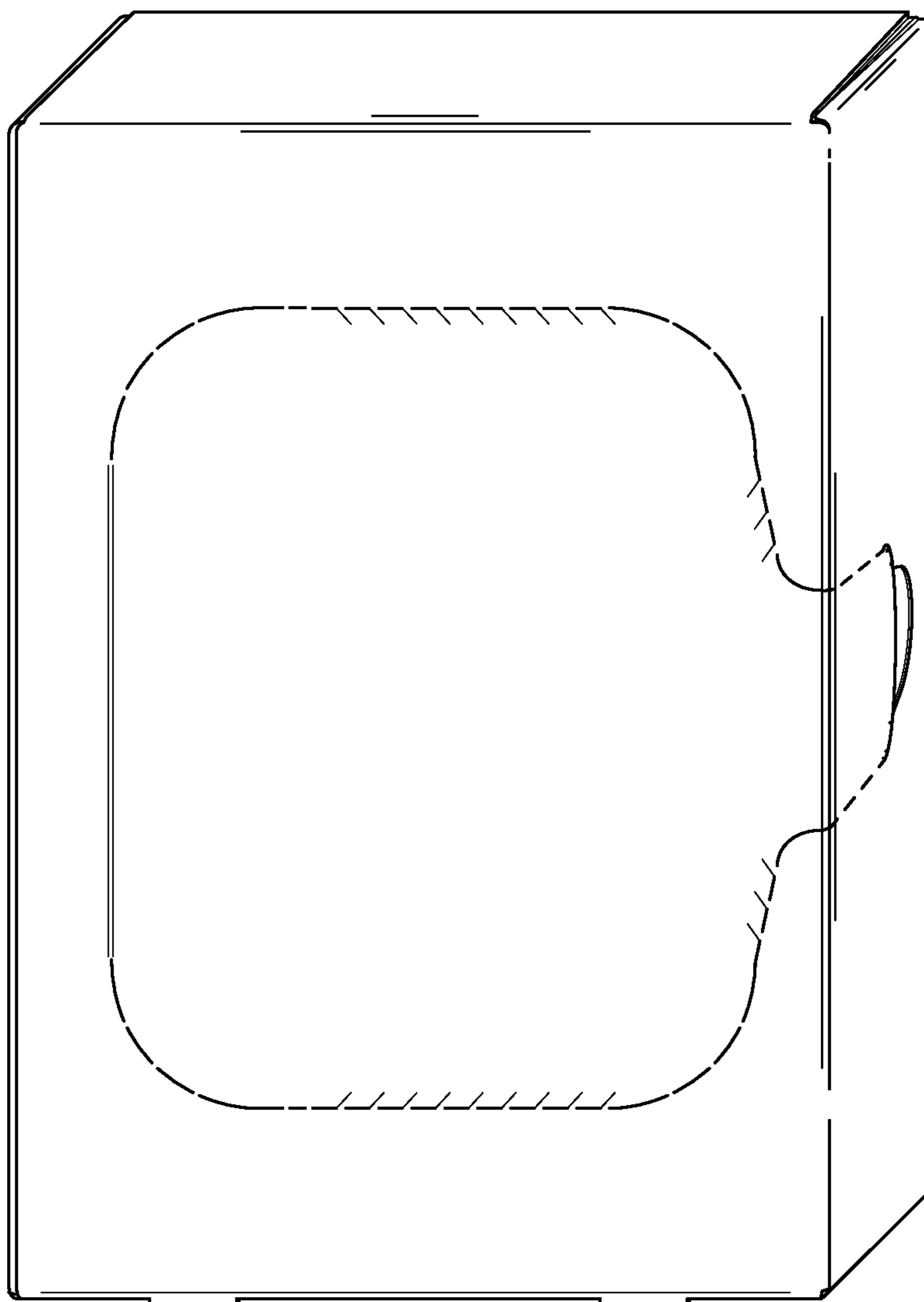


FIG. 1

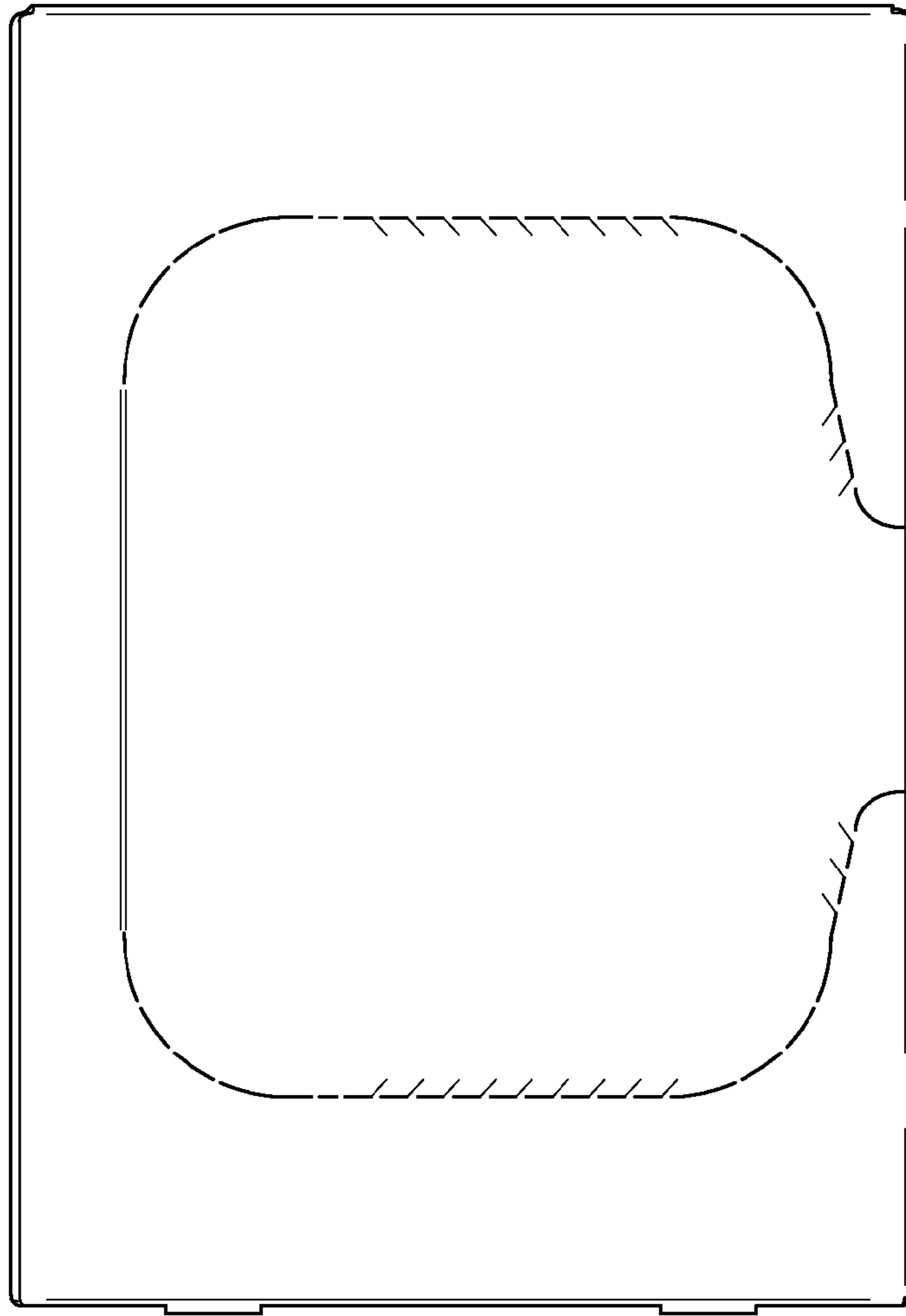


FIG. 2

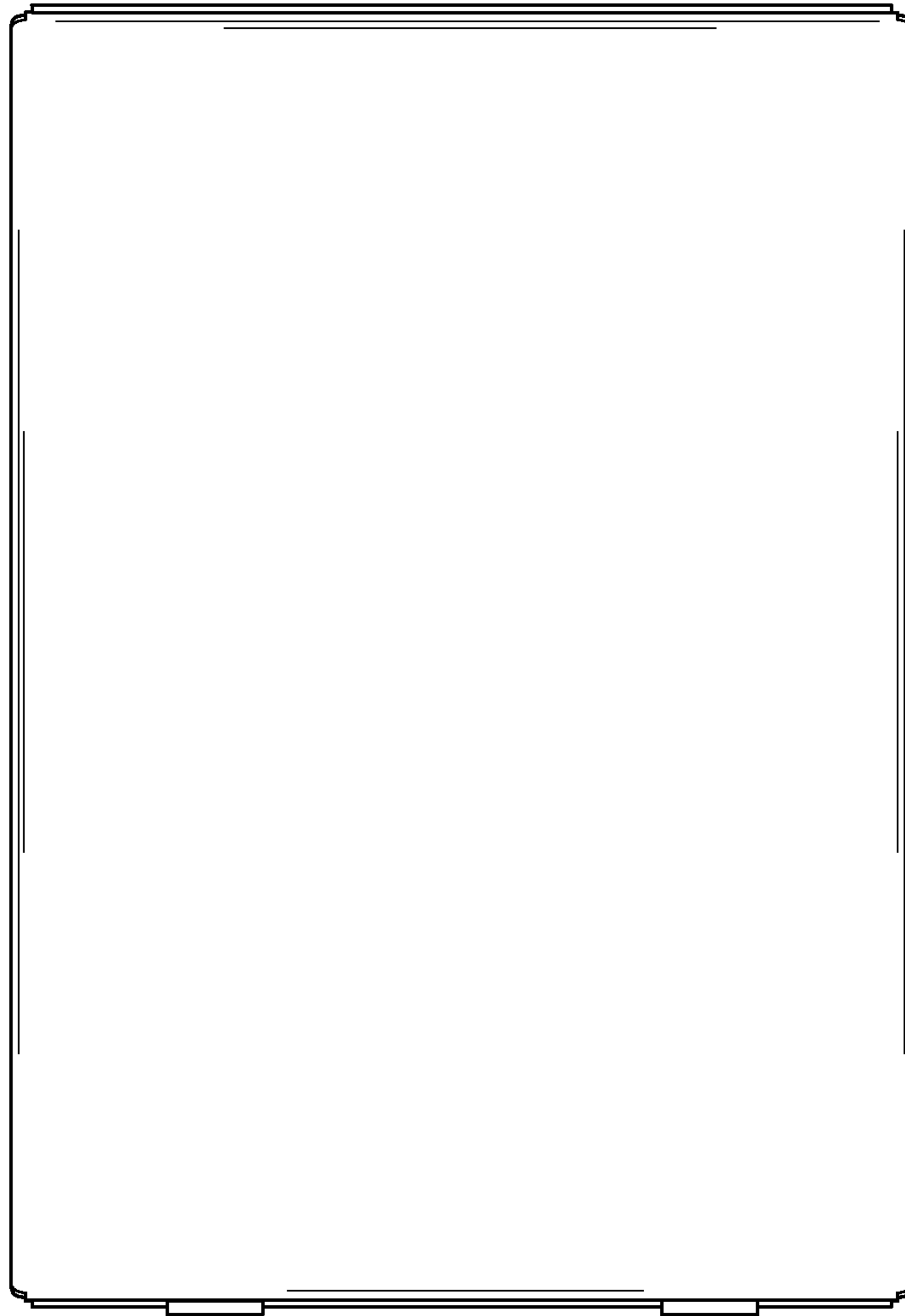


FIG. 3

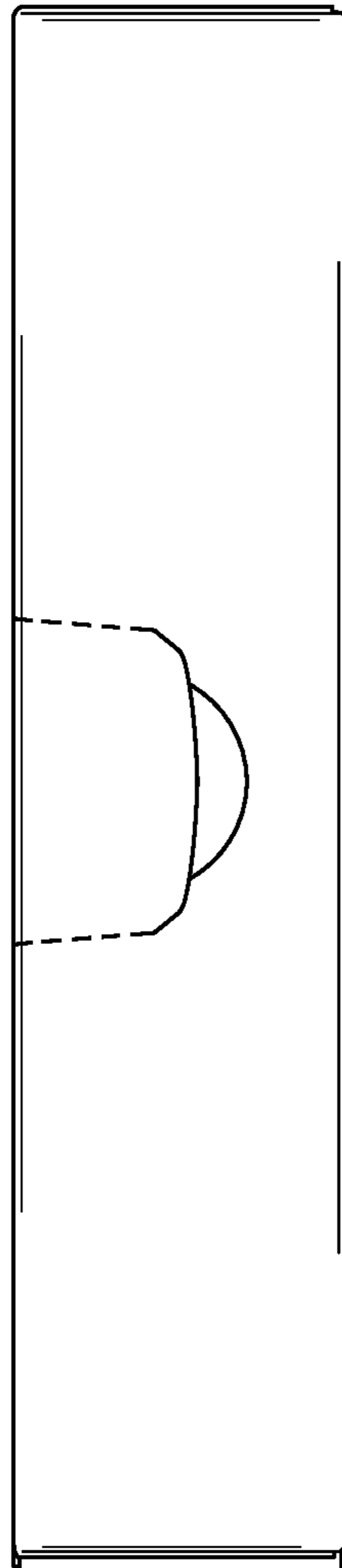


FIG. 4

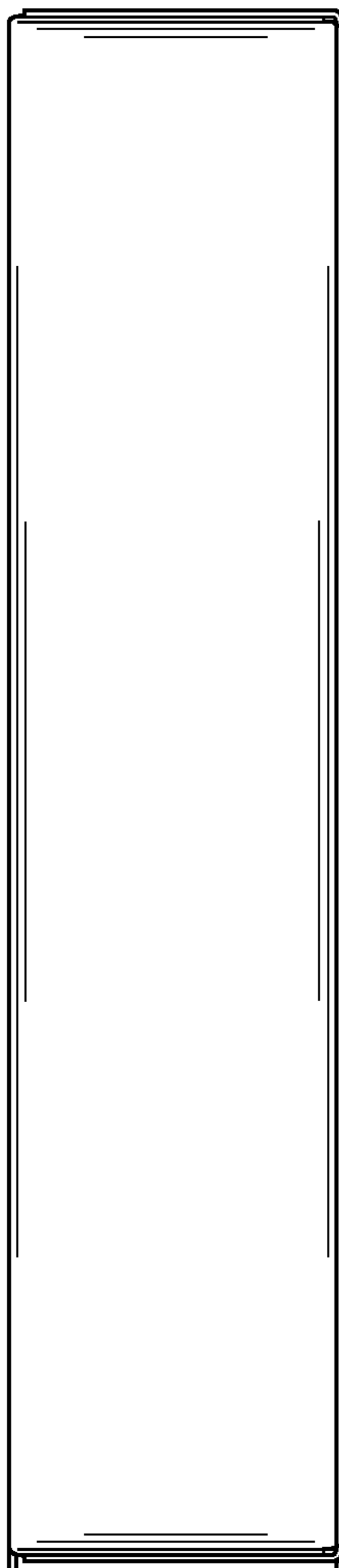


FIG. 5

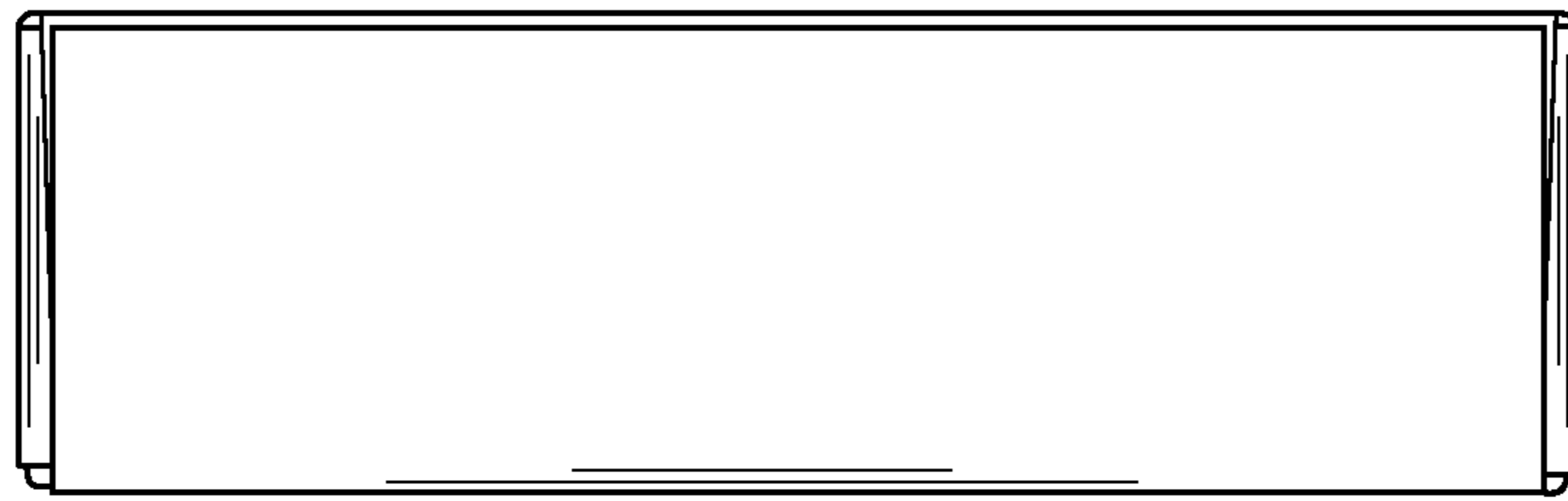


FIG. 6



FIG. 7

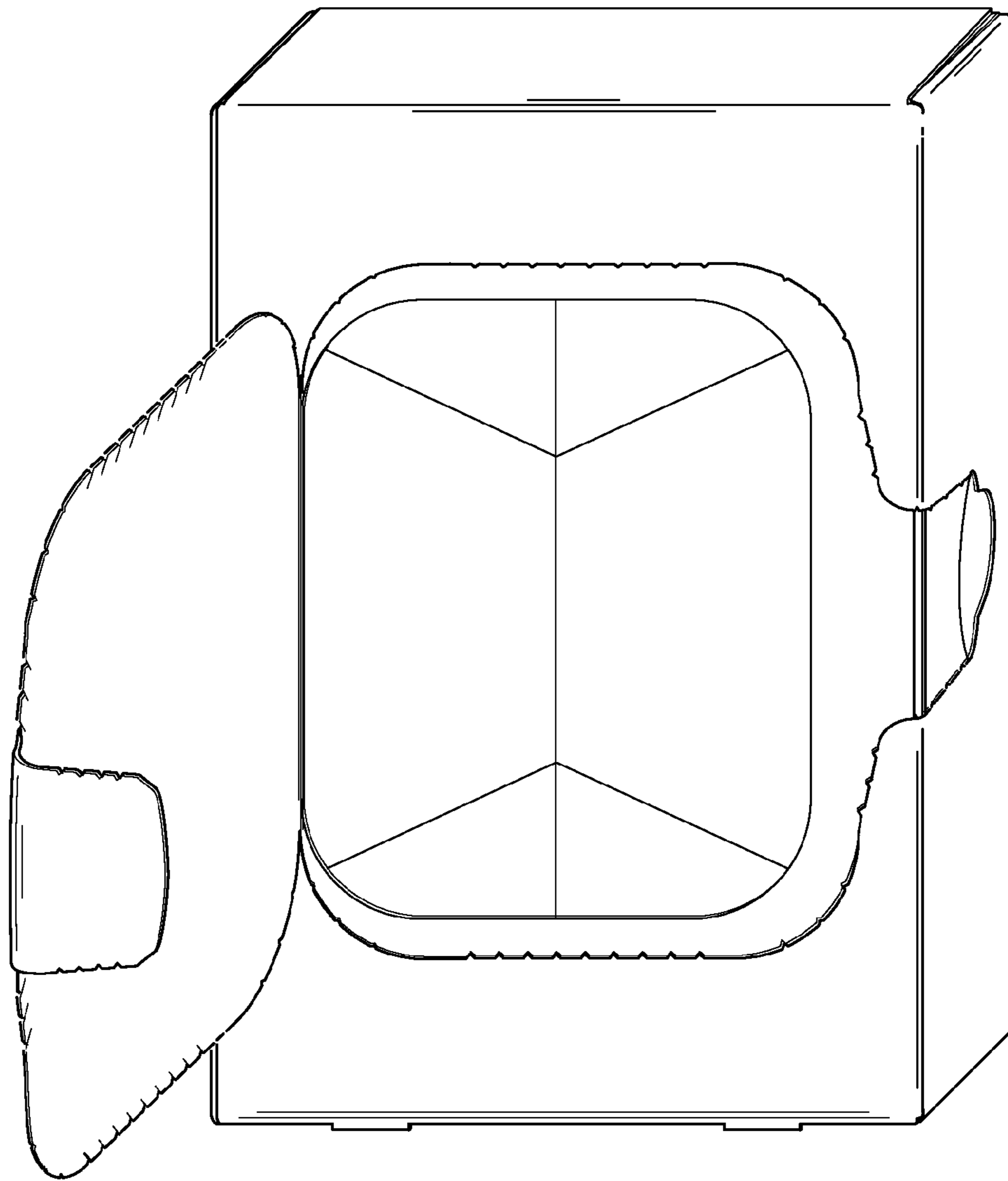


FIG. 8

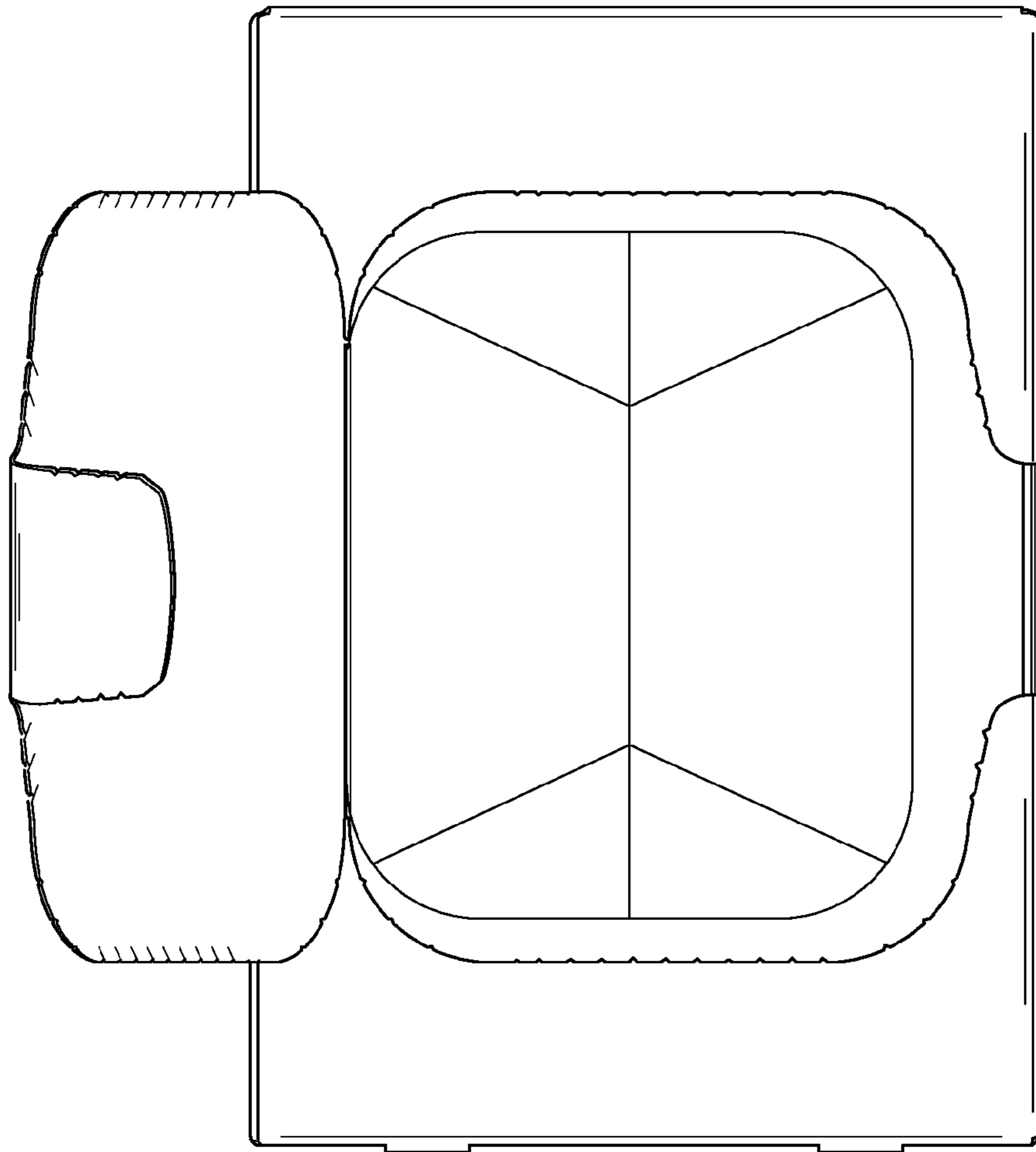


FIG. 9

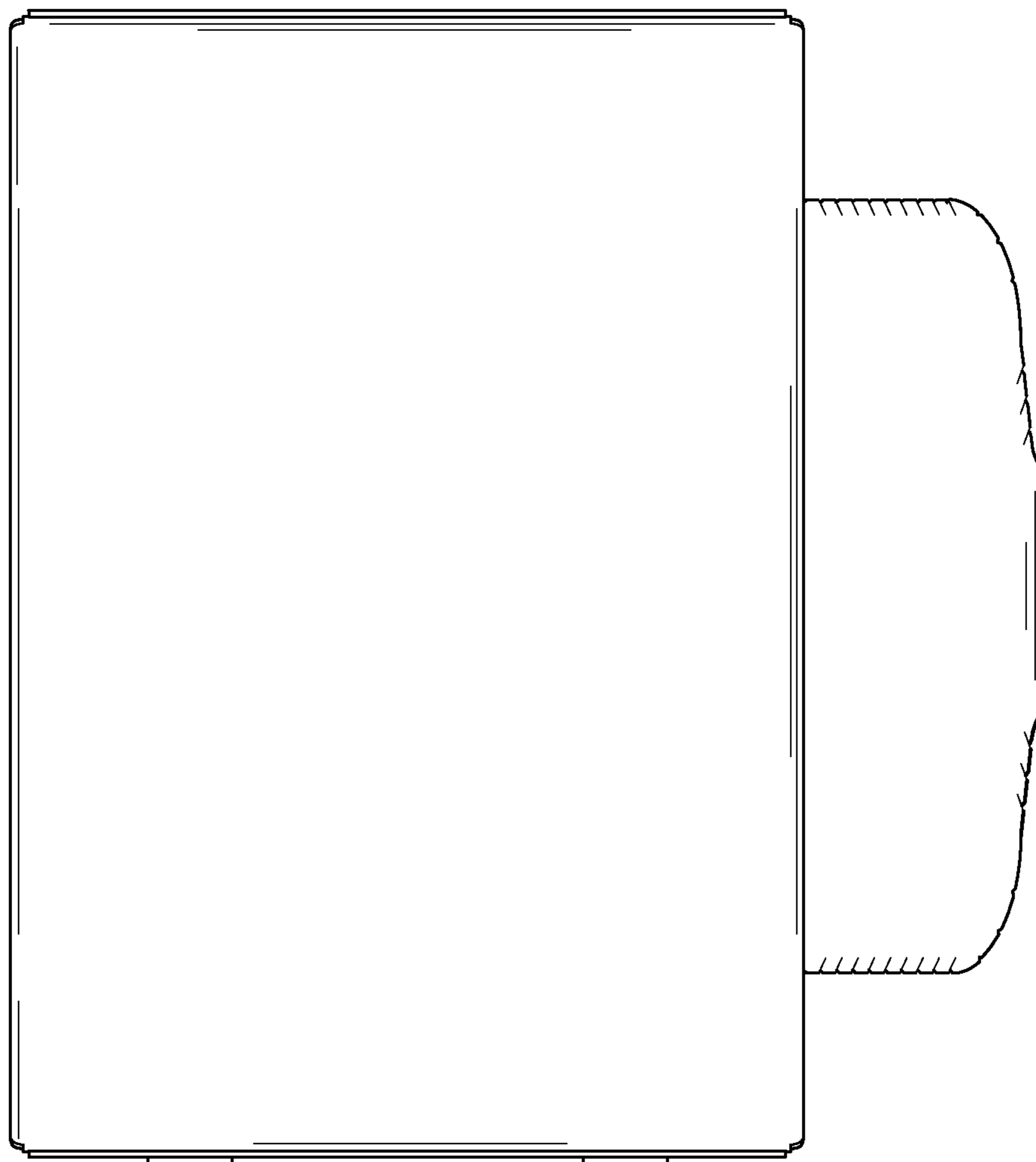


FIG. 10

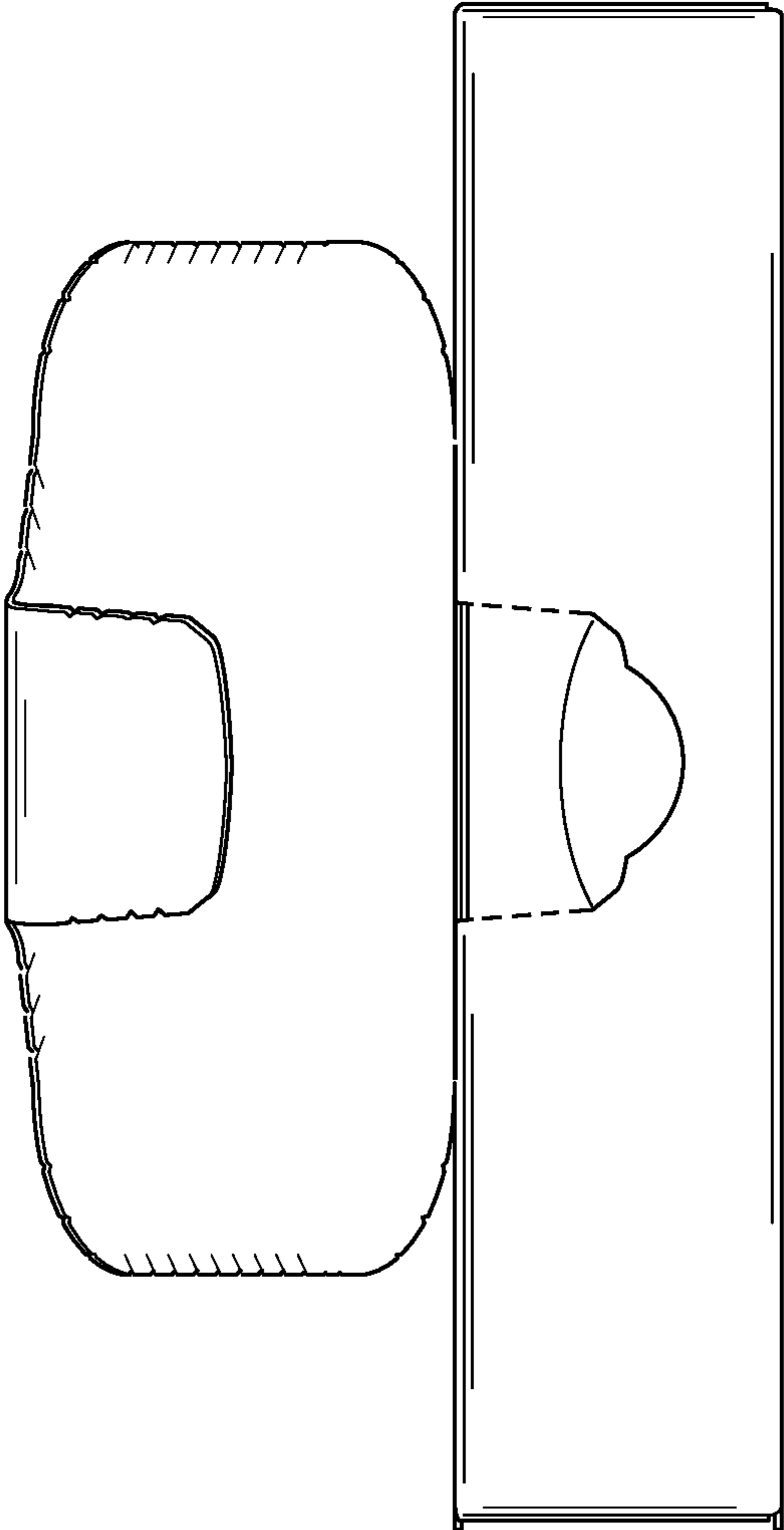


FIG. 11

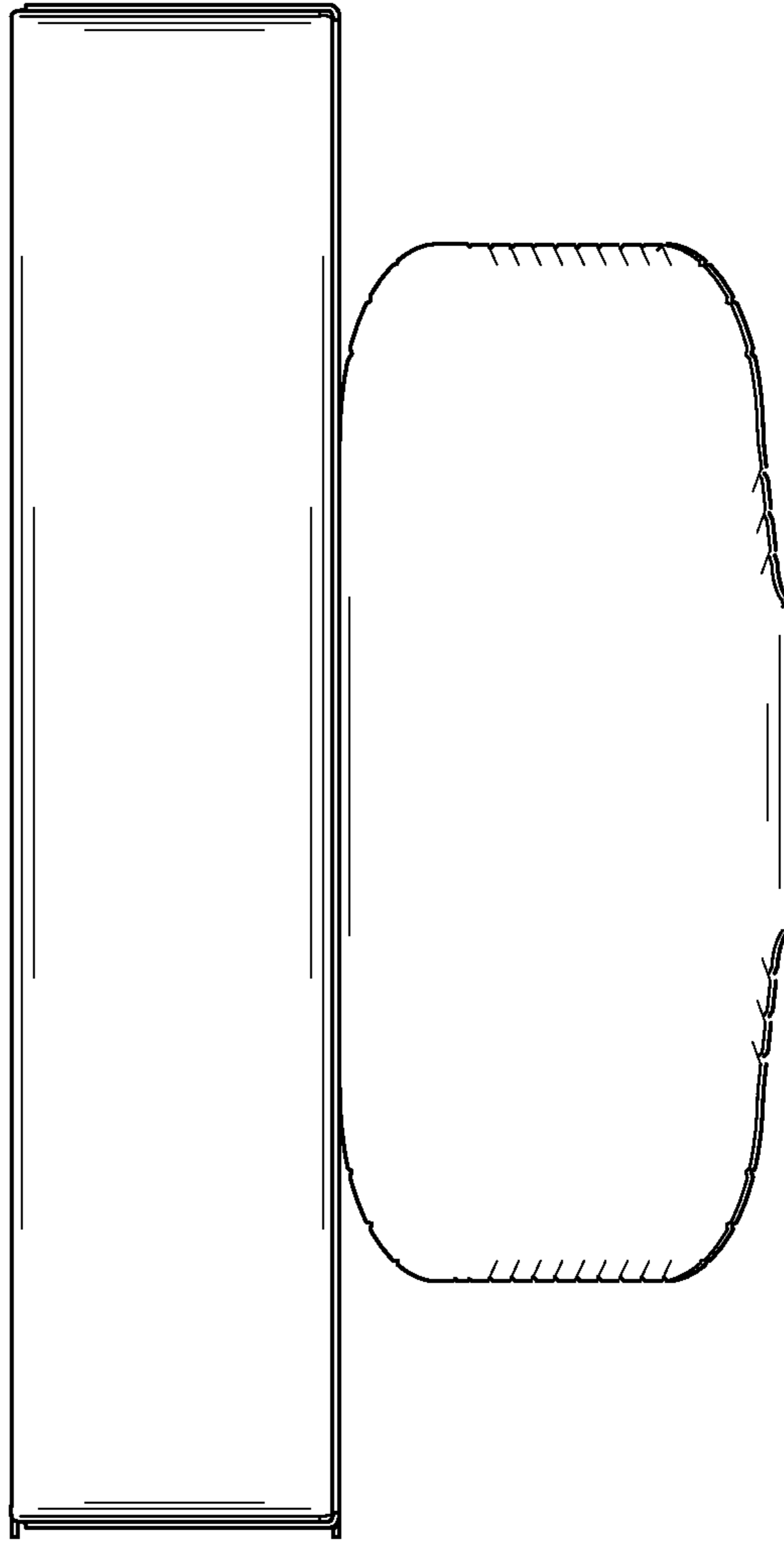


FIG. 12

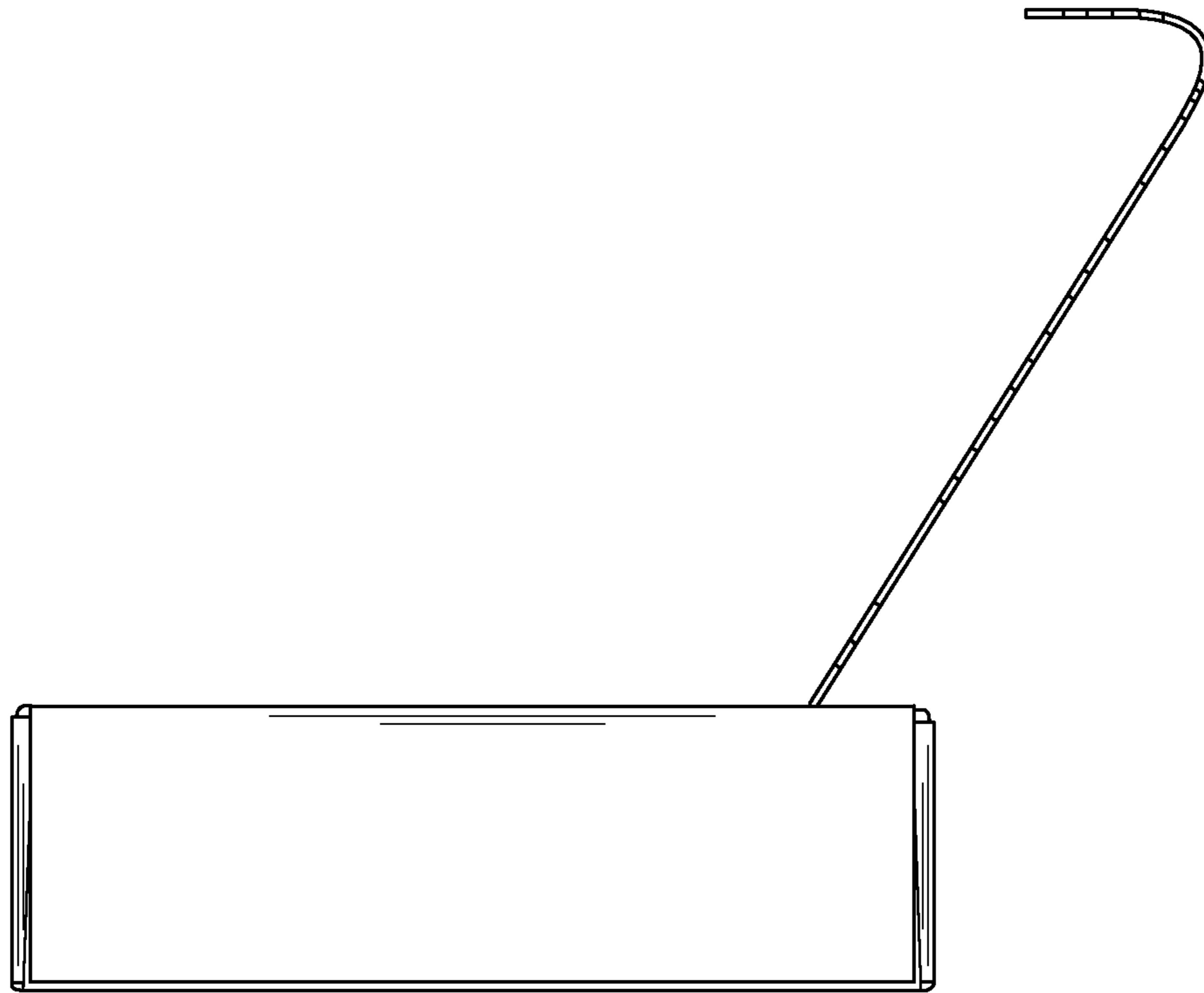


FIG. 13

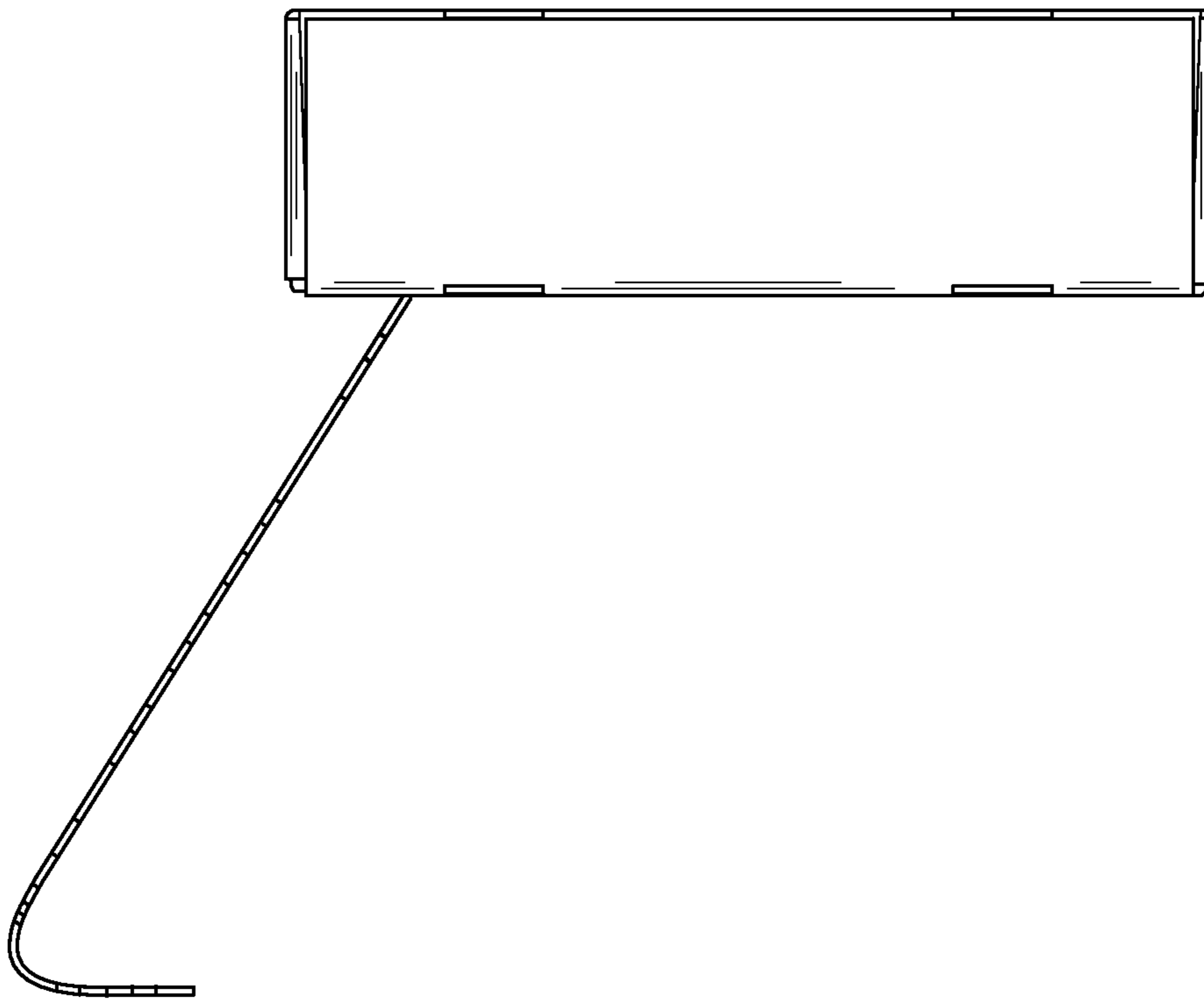


FIG. 14

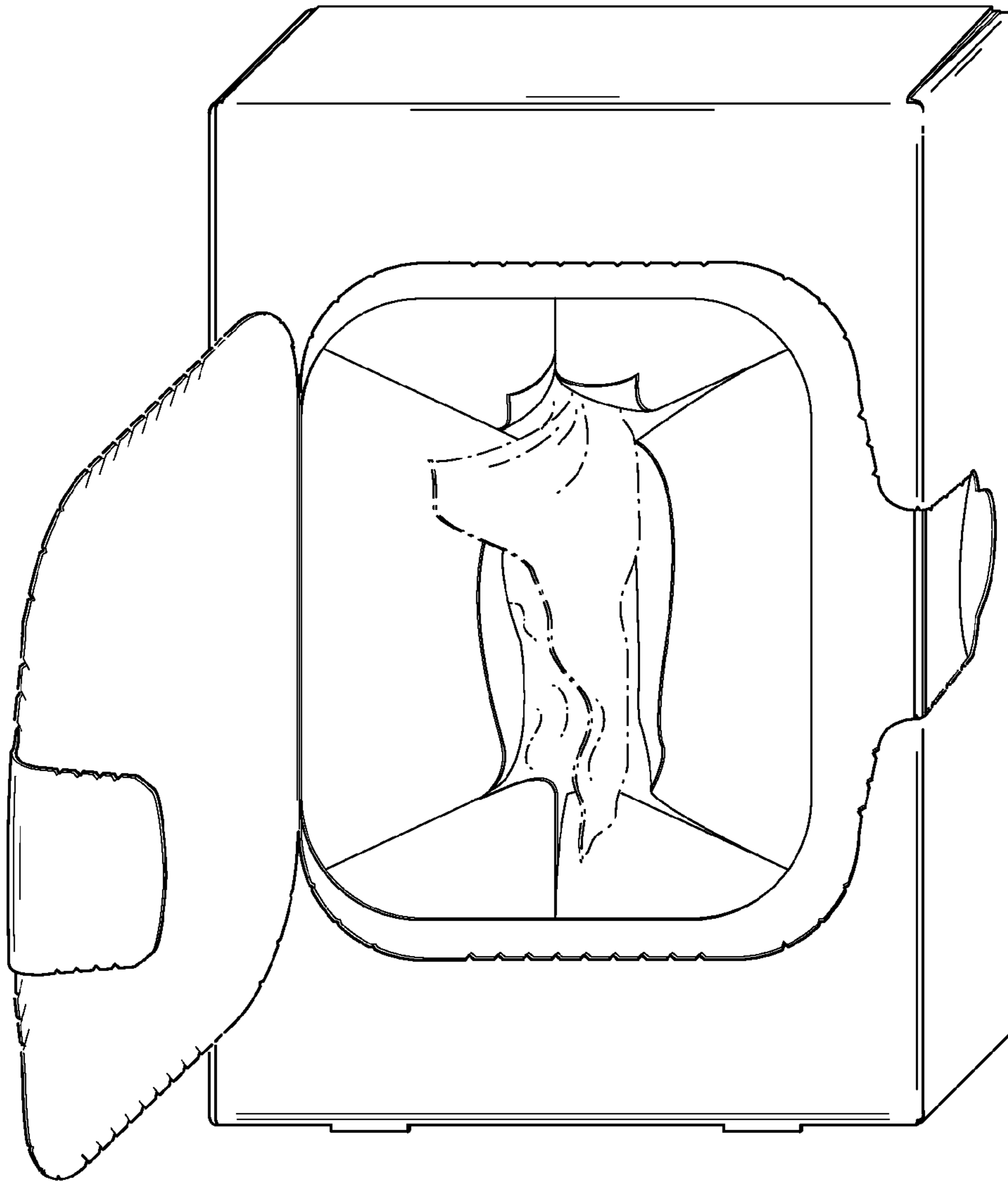


FIG. 15