



US00D746670S

(12) **United States Design Patent**  
**Spangler et al.**

(10) **Patent No.:** **US D746,670 S**  
(45) **Date of Patent:** **\*\* Jan. 5, 2016**

(54) **COMBINED REBAR POSITIONER AND FASTENER**

(71) Applicants: **Ray Alan Spangler**, Anchorage, AK (US); **Patina Loren Sidner**, Athens, GA (US)

(72) Inventors: **Ray Alan Spangler**, Anchorage, AK (US); **Patina Loren Sidner**, Athens, GA (US)

(\*\*) Term: **14 Years**

(21) Appl. No.: **29/495,291**

(22) Filed: **Jun. 30, 2014**

(51) **LOC (10) Cl.** ..... **08-08**

(52) **U.S. Cl.**  
USPC ..... **D8/382**

(58) **Field of Classification Search**  
USPC ..... D8/382, 354, 367, 370, 499; 52/81.6, 52/677, 688; 404/136; 248/249, 302; D22/137, 142  
CPC ..... E04C 5/18  
See application file for complete search history.

(56) **References Cited**

**U.S. PATENT DOCUMENTS**

D33,777	S	*	12/1900	Schmidt	.....	D8/382
1,372,226	A	*	3/1921	Havemeyer	.....	52/684
1,850,868	A	*	3/1932	Drake	.....	52/677
1,870,487	A	*	8/1932	Bitney	.....	52/688
1,871,809	A	*	8/1932	Lampert	.....	52/688
1,994,724	A	*	3/1935	Neely	.....	404/136
2,431,934	A	*	12/1947	Higgins	.....	160/349.2
4,441,527	A	*	4/1984	Tolliver	.....	138/175
5,408,793	A	*	4/1995	Dykmans	.....	52/81.6
D528,900	S	*	9/2006	Thompson	.....	D8/370
D554,478	S	*	11/2007	Robinson	.....	D8/356
2005/0055984	A1	*	3/2005	Huber et al.	.....	52/782.1

\* cited by examiner

*Primary Examiner* — Robert M Spear

(74) *Attorney, Agent, or Firm* — Michael J. Tavella

(57) **CLAIM**

We claim the ornamental design for a combined rebar positioner and fastener, as shown and described.

**DESCRIPTION**

FIG. 1 is a perspective view of a first embodiment of our combined rebar positioner and fastener.

FIG. 2 is a top view of the first embodiment of our combined rebar positioner and fastener.

FIG. 3 is a front elevational view of the first embodiment of our combined rebar positioner and fastener.

FIG. 4 is a rear view of the first embodiment of our combined rebar positioner and fastener.

FIG. 5 is a bottom view of the first embodiment of our combined rebar positioner and fastener.

FIG. 6 is a right-side view of the first embodiment of our combined rebar positioner and fastener.

FIG. 7 is a left-side view of the first embodiment of our combined rebar positioner and fastener.

FIG. 8 is a perspective view of a second embodiment of our combined rebar positioner and fastener.

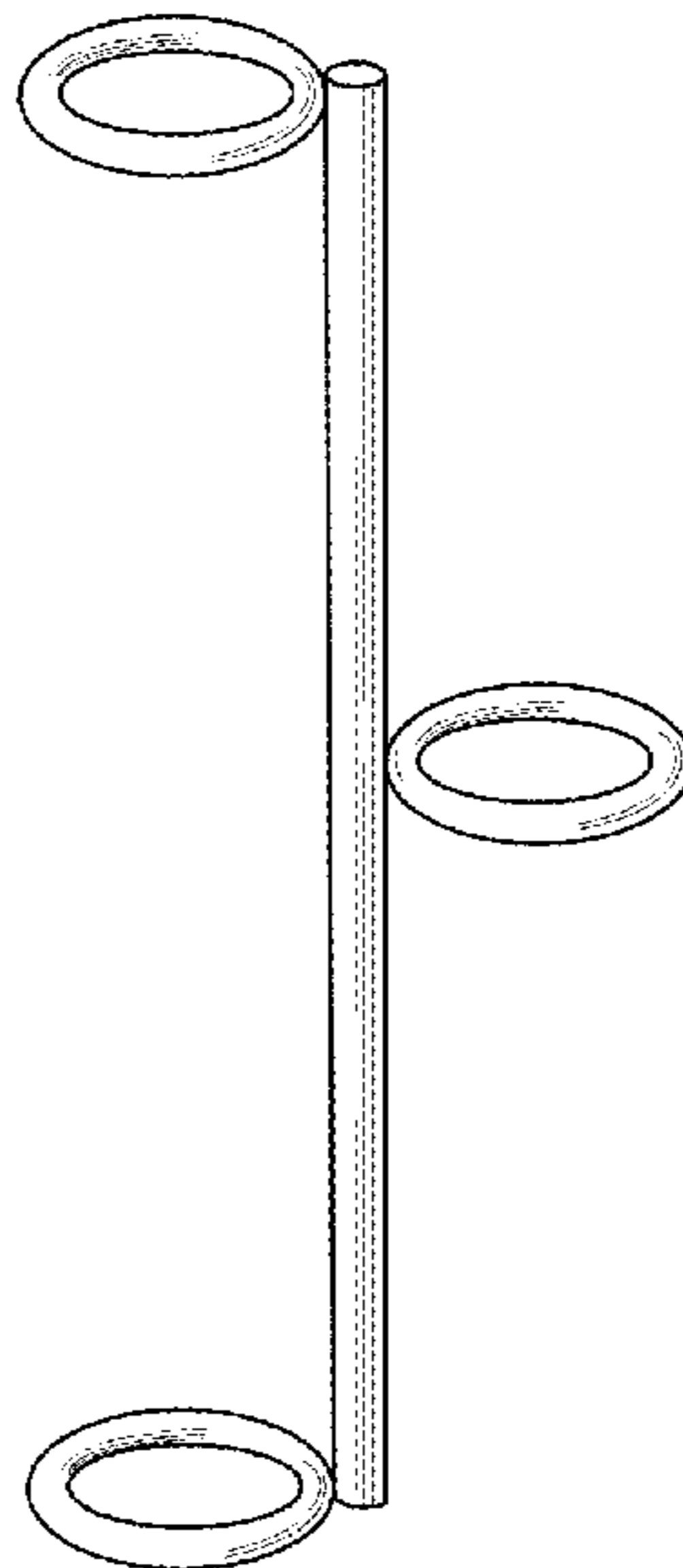
FIG. 9 is a top-view of the second embodiment of our combined rebar positioner and fastener.

FIG. 10 is a rear-view of the second embodiment of our combined rebar positioner and fastener.

FIG. 11 is a front elevational view of the second embodiment of our combined rebar positioner; and,

FIG. 12 is a bottom view of the second embodiment of our combined rebar positioner.

**1 Claim, 4 Drawing Sheets**



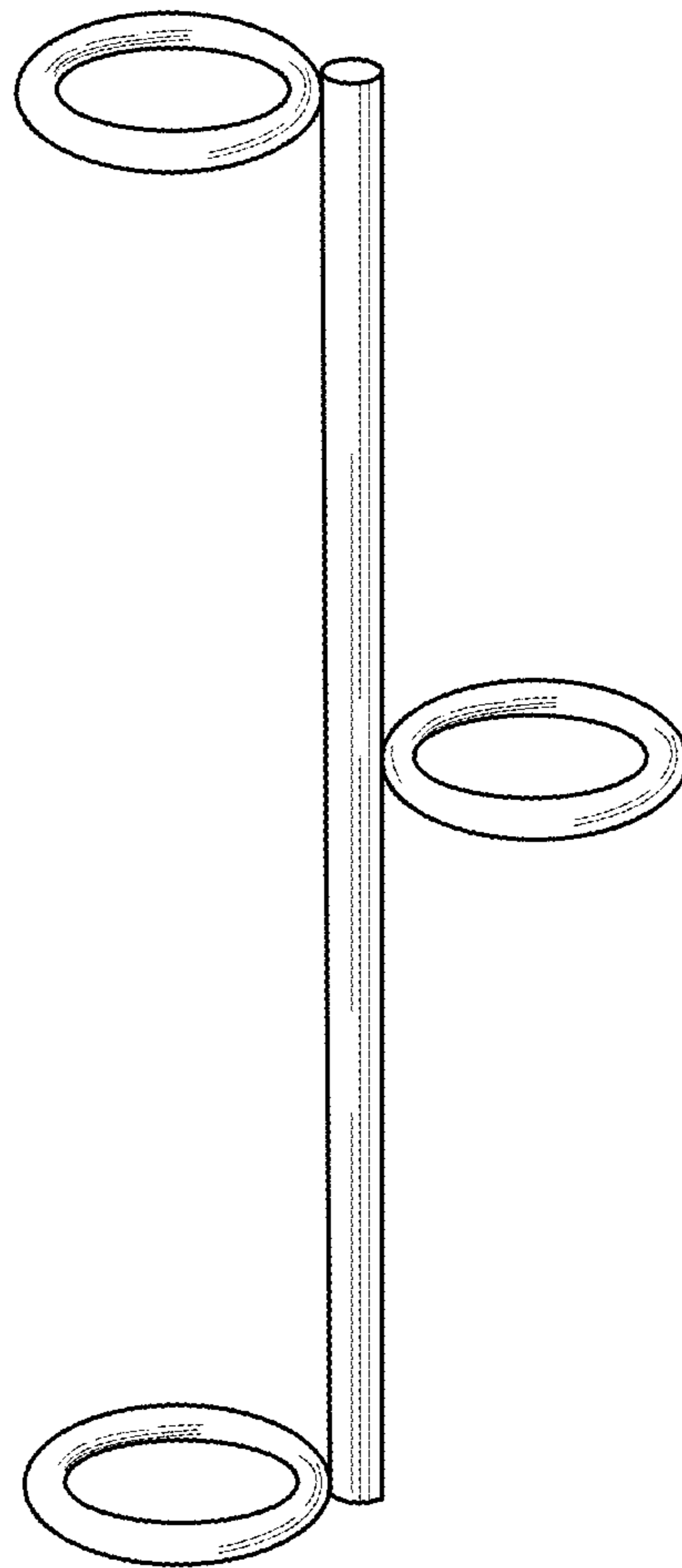


Figure 1

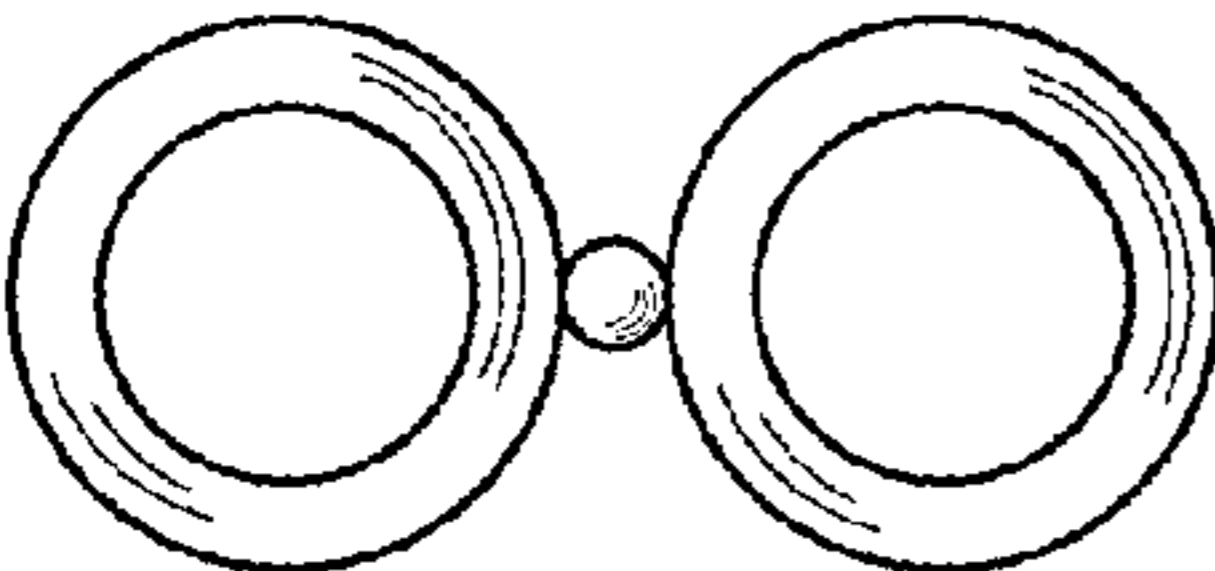


Figure 2

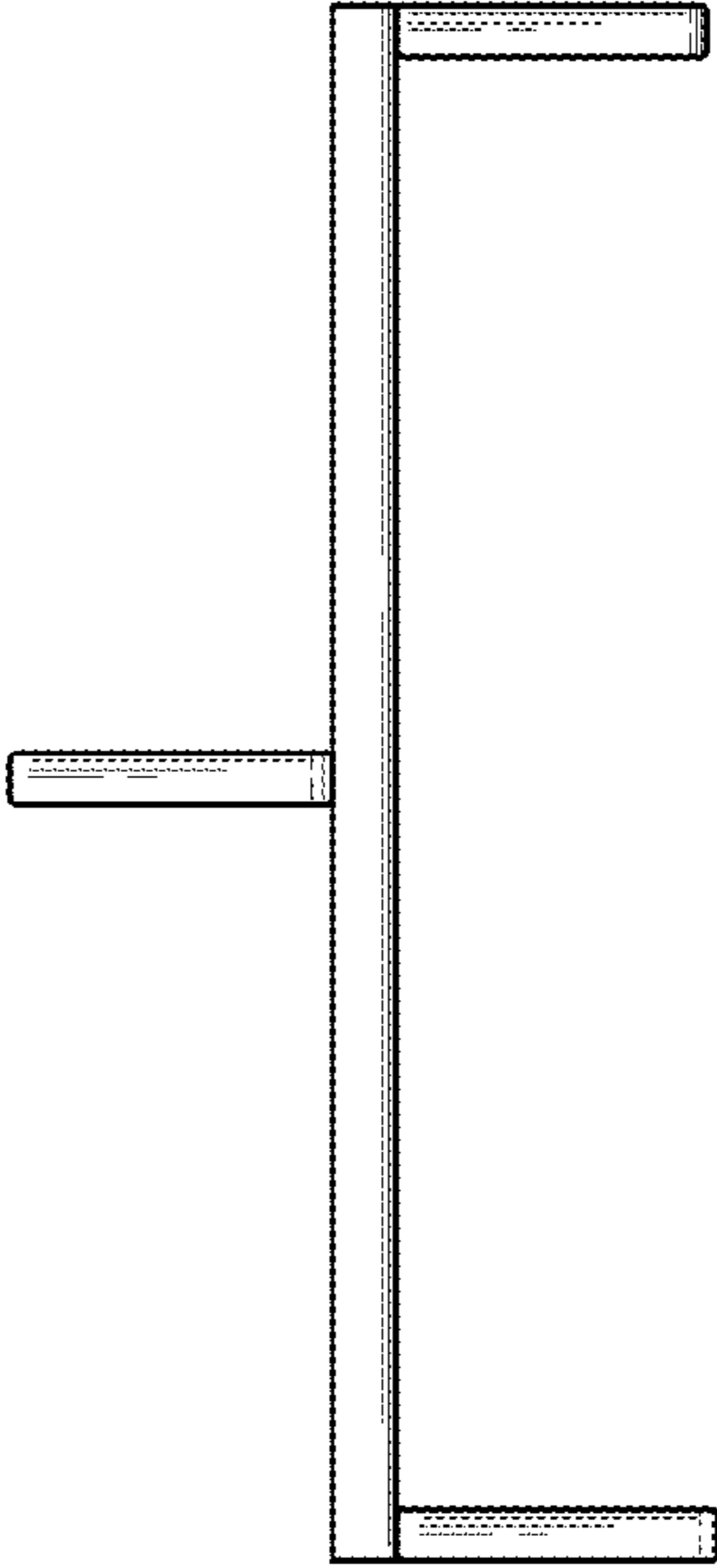


Figure 4

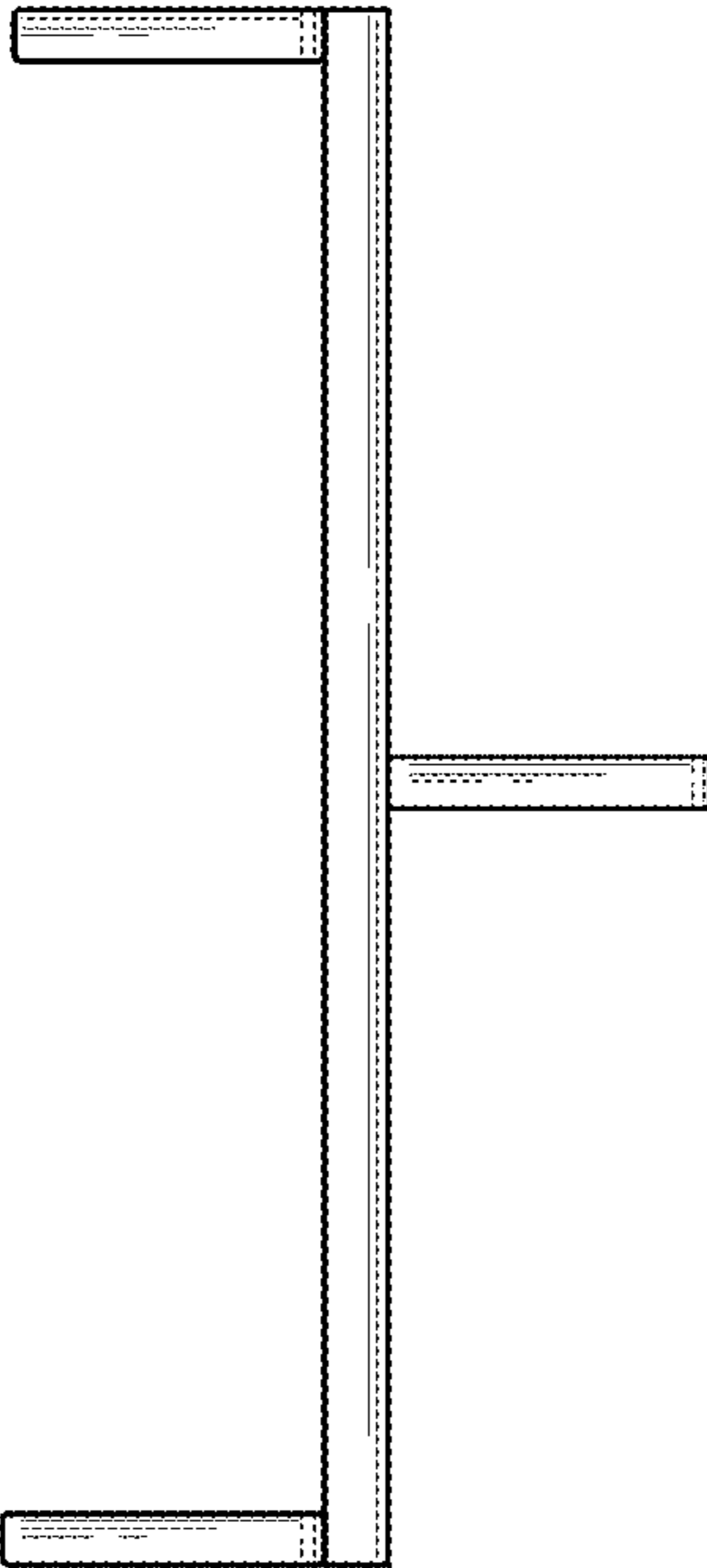


Figure 3

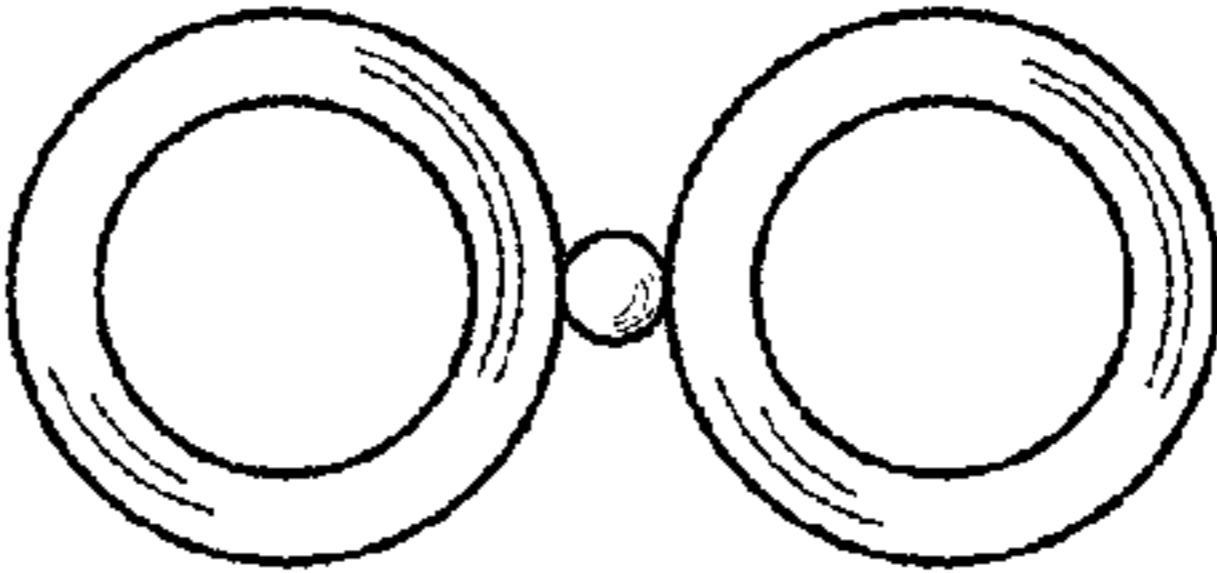


Figure 5

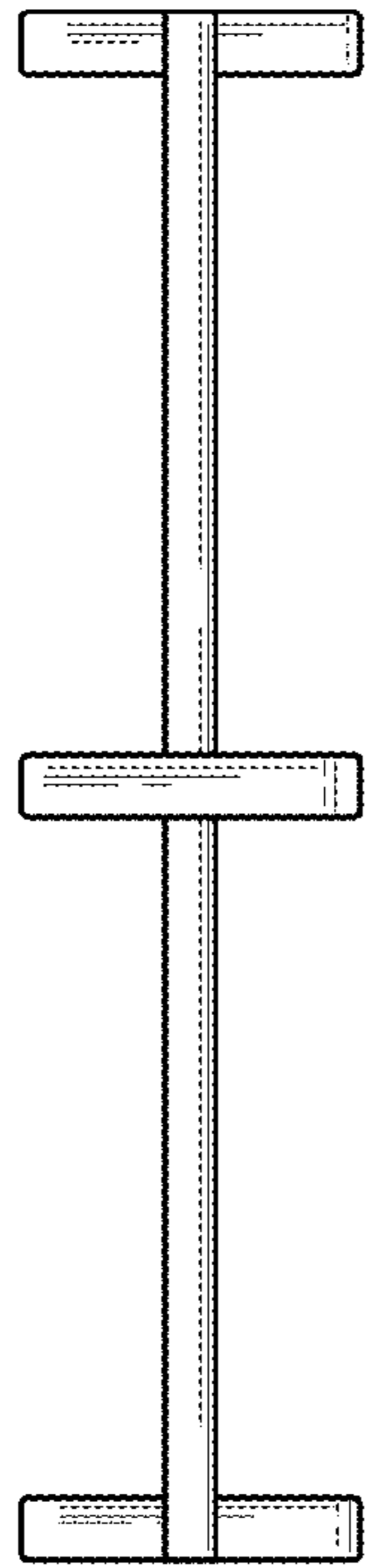


Figure 6

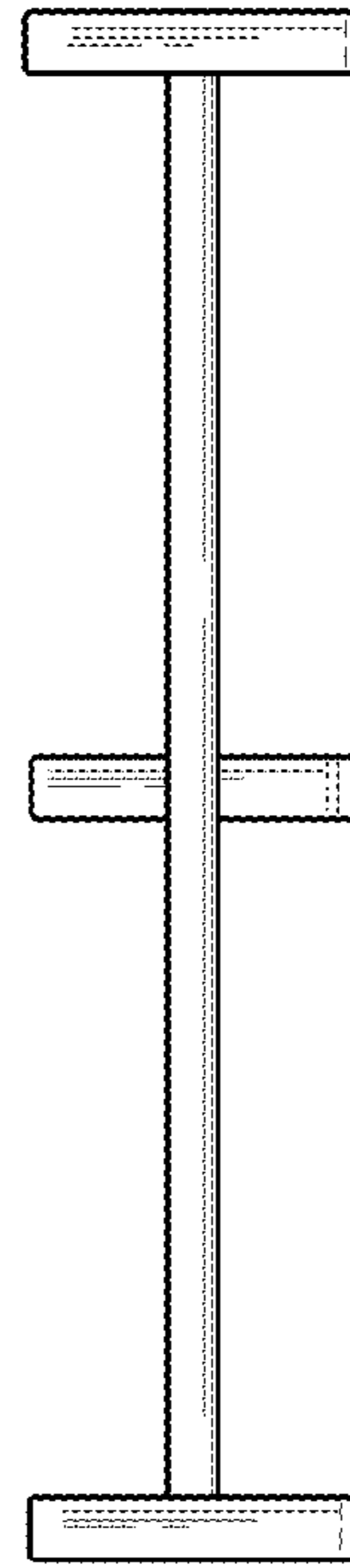


Figure 7

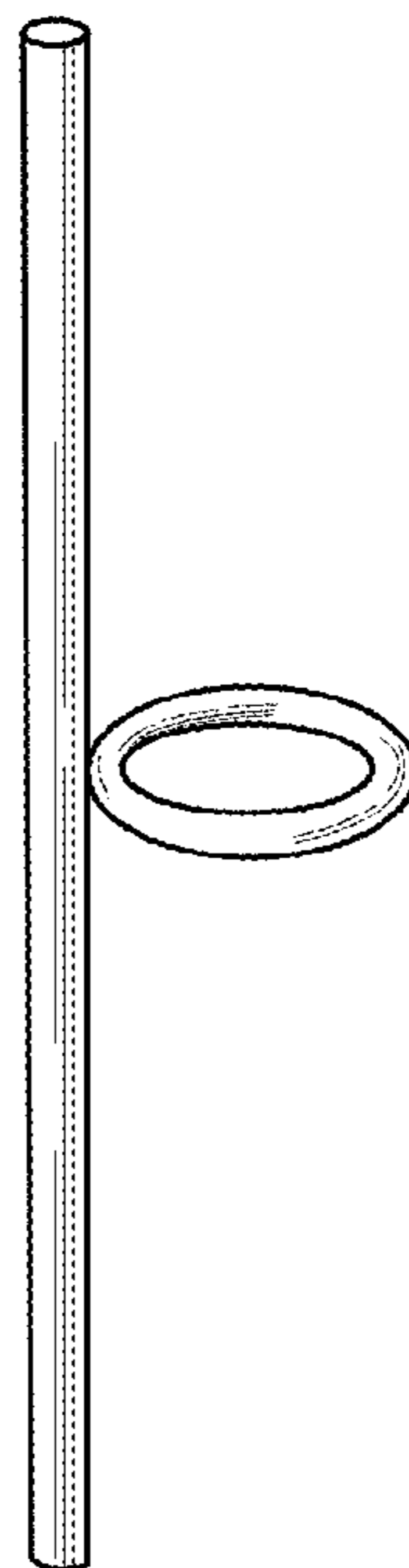


Figure 8

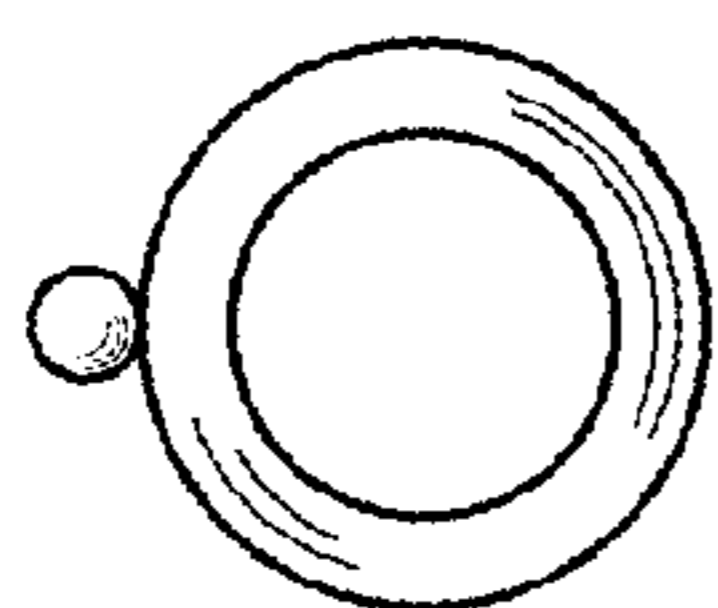


Figure 9

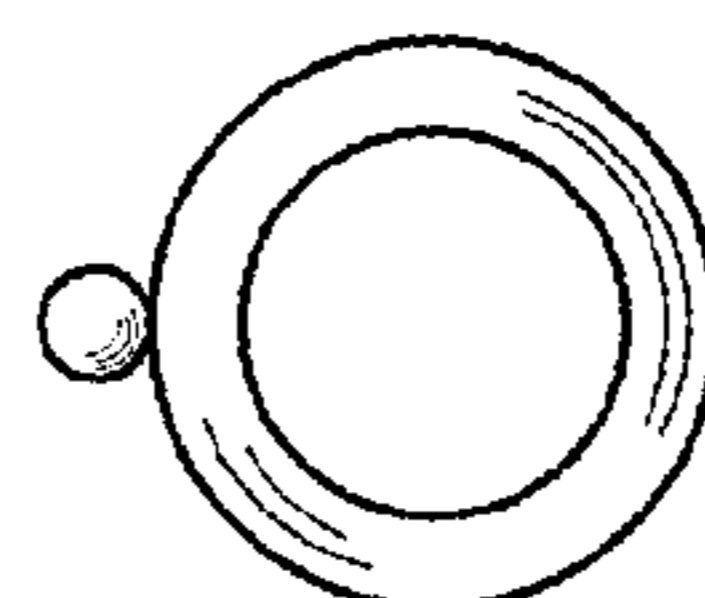


Figure 12

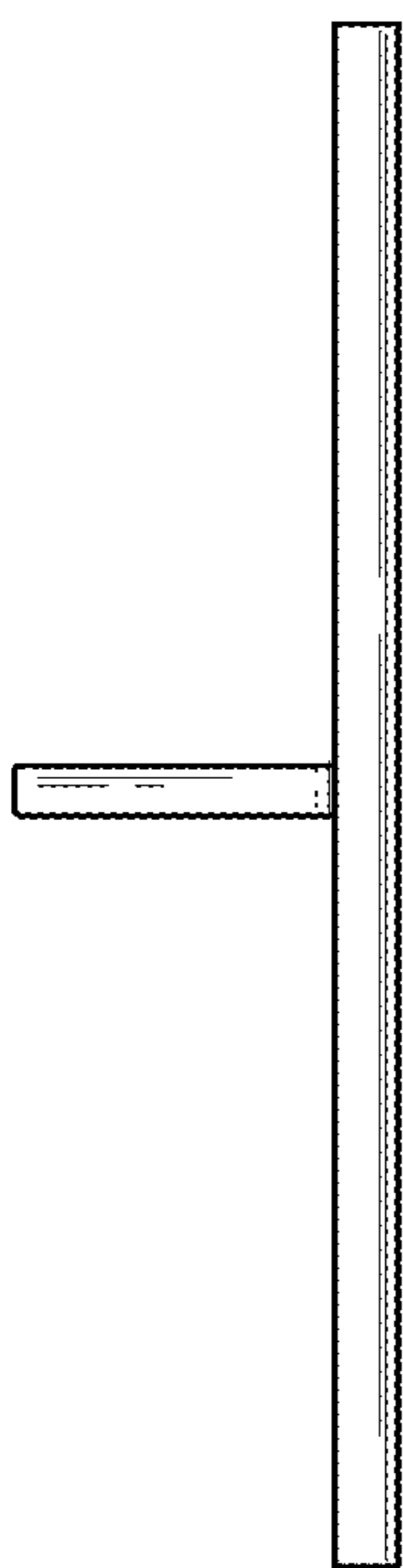


Figure 10

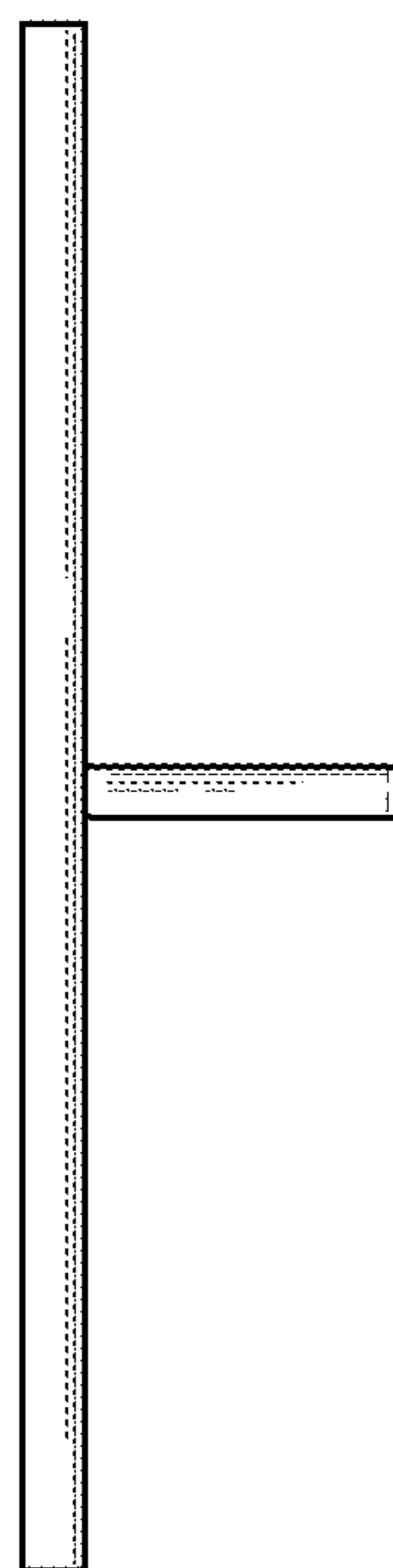


Figure 11