



US00D746668S

(12) **United States Design Patent**
Keegan

(10) **Patent No.:** **US D746,668 S**
(45) **Date of Patent:** **** Jan. 5, 2016**

(54) **INVERTED CLOSET POLE**

(71) Applicant: **Ann M. Keegan**, San Diego, CA (US)

(72) Inventor: **Ann M. Keegan**, San Diego, CA (US)

(**) Term: **14 Years**

(21) Appl. No.: **29/510,905**

(22) Filed: **Dec. 4, 2014**

(51) **LOC (10) Cl.** **08-05**

(52) **U.S. Cl.**
USPC **D8/376**

(58) **Field of Classification Search**
USPC D8/376, 377
CPC A47H 2/00; A47H 2/02
See application file for complete search history.

(56) **References Cited**

U.S. PATENT DOCUMENTS

D466,799 S *	12/2002	Suero, Jr.	D8/376
D516,901 S *	3/2006	Murray	D8/376
D662,402 S *	6/2012	Elkaim	D8/376

* cited by examiner

Primary Examiner — Holly Baynham

(74) *Attorney, Agent, or Firm* — Richard D. Clarke

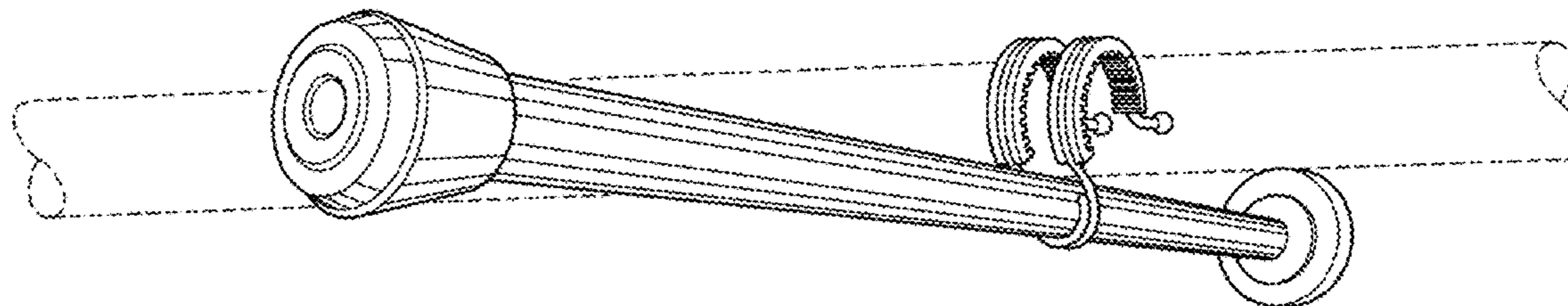
(57) **CLAIM**

I claim the ornamental design for an inverted closet pole, as shown and described.

DESCRIPTION

FIG. 1 is a front, bottom, and right side elevation perspective view of the inverted closet pole;
FIG. 2 is a rear, bottom, and left side elevation perspective view of the inverted closet pole;
FIG. 3 is a left side elevation view of the inverted closet pole;
FIG. 4 is a right side elevation view of the inverted closet pole;
FIG. 5 is a front view of the inverted closet pole;
FIG. 6 is a rear view of the inverted closet pole;
FIG. 7 is a top plan view of the inverted closet pole; and,
FIG. 8 is a bottom plan view of the inverted closet pole.
The broken lines showing a portion of a closet rod are for the purposes of illustrating environment and form no part of the claimed design.

1 Claim, 3 Drawing Sheets



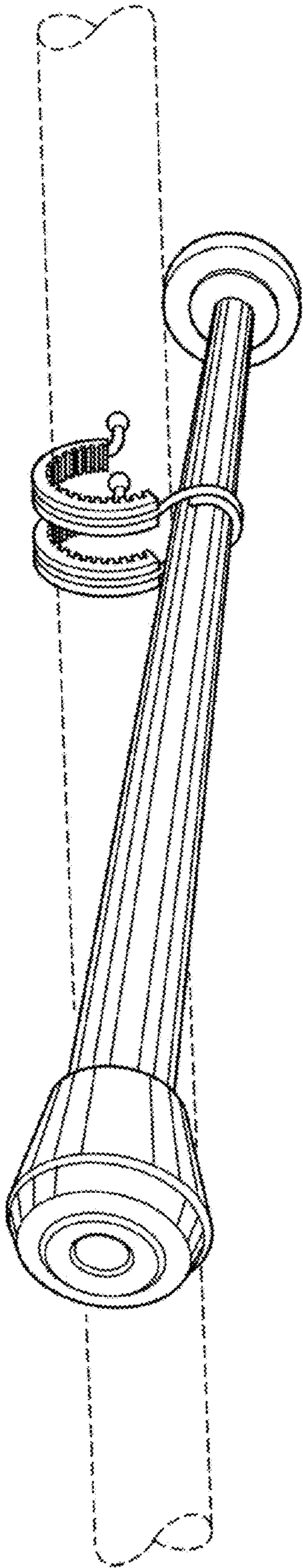


FIG.1

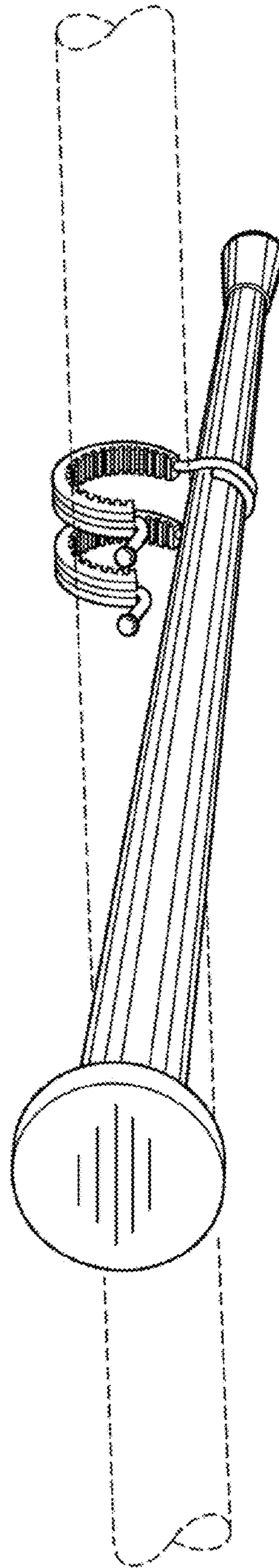


FIG.2

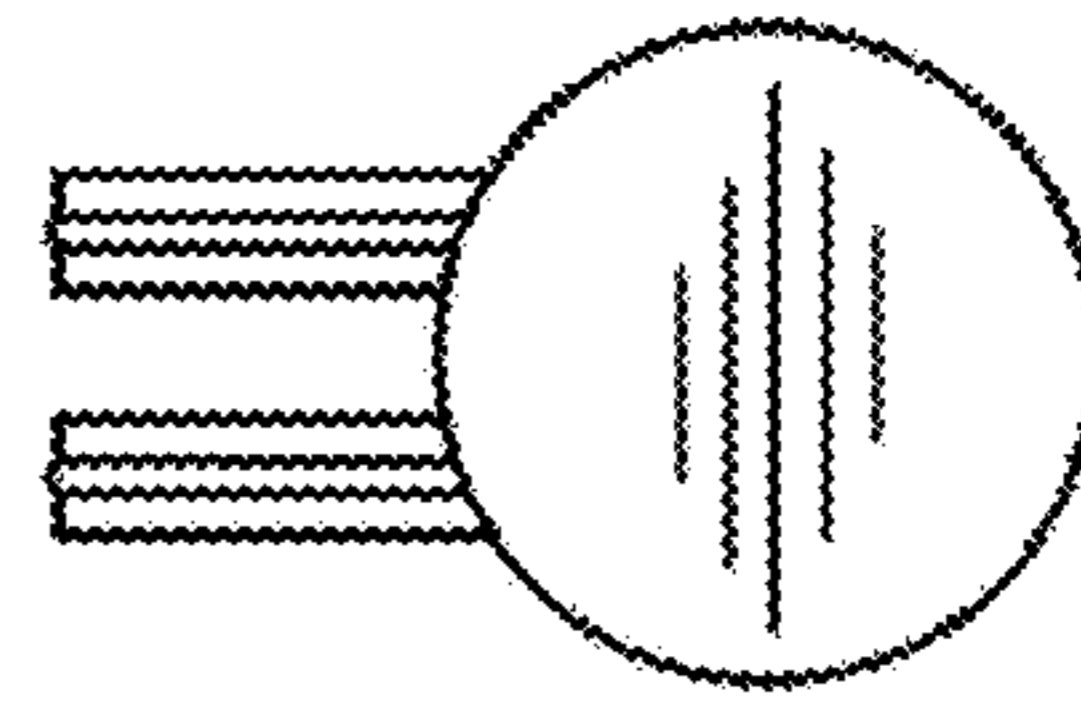
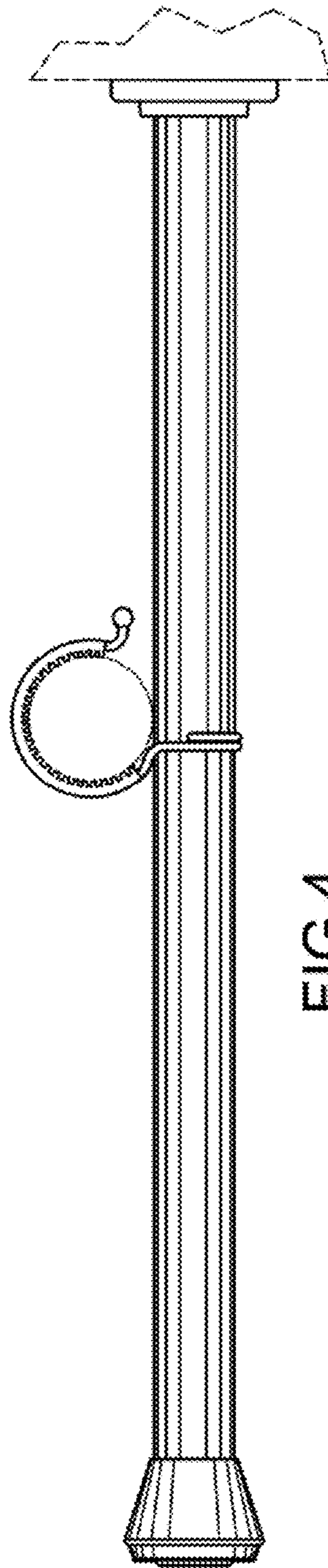
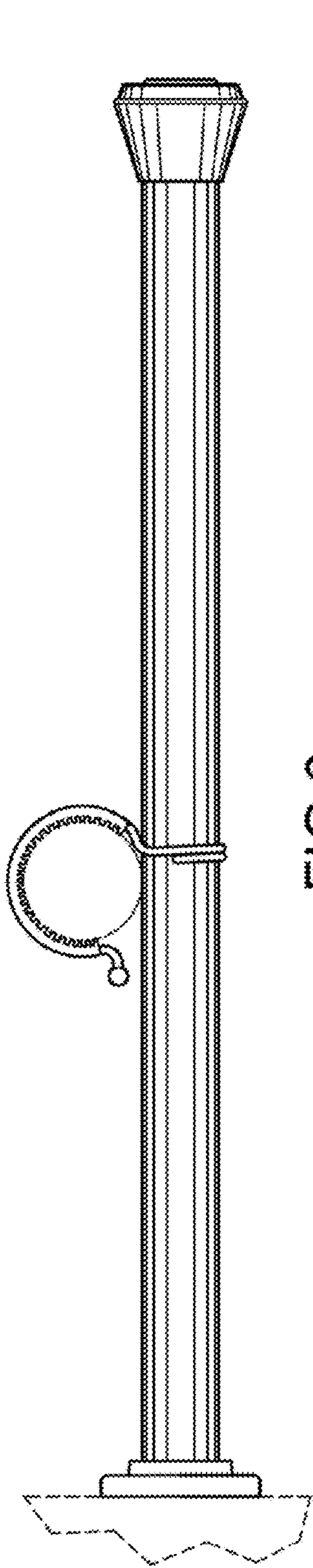


FIG. 6

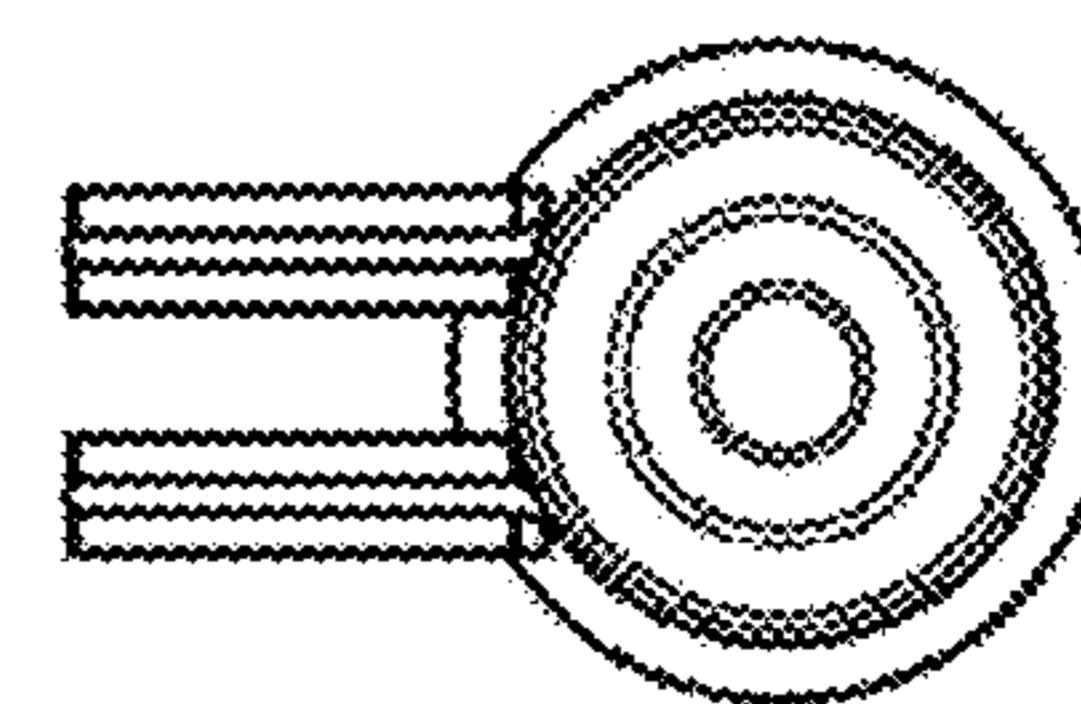


FIG. 5

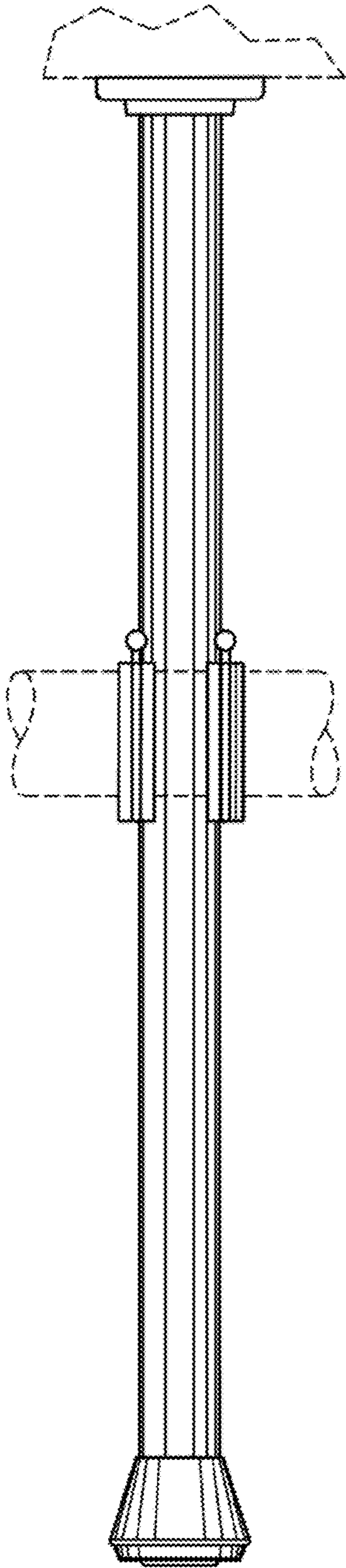


FIG. 7

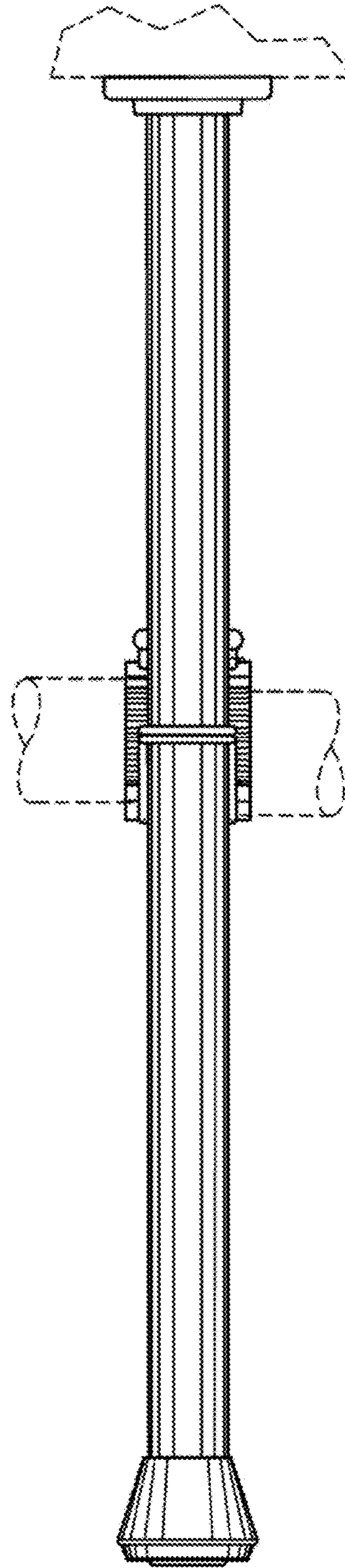


FIG. 8