



US00D746666S

(12) **United States Design Patent**
Veilleux

(10) **Patent No.:** **US D746,666 S**
(45) **Date of Patent:** **** Jan. 5, 2016**

(54) **END CAP COVER**

(71) Applicant: **David Veilleux**, Stillwater, MN (US)

(72) Inventor: **David Veilleux**, Stillwater, MN (US)

(73) Assignee: **152310 Canada**, Quebec (CA)

(**) Term: **14 Years**

(21) Appl. No.: **29/469,183**

(22) Filed: **Oct. 8, 2013**

(51) **LOC (10) Cl.** **08-05**

(52) **U.S. Cl.**
USPC **D8/376**

(58) **Field of Classification Search**
USPC D8/383, 374, 300, 303, 313, 314, 394,
D8/396, 380, 373, 395, 363, 381, 44, 19,
D8/352, 370, 308, 372, 376; D13/133;
D19/1; D22/108; D26/87; D9/686,
D9/687; D23/238; D6/300
CPC F16B 12/44; F16B 12/46; F16B 5/0614;
F16B 12/02; E04B 1/2612; E04B 2001/2415;
E04B 1/5818; E04B 1/5831; A47B 88/0055;
E04F 11/1812
See application file for complete search history.

(56) **References Cited**

U.S. PATENT DOCUMENTS

D30,630 S * 4/1899 Caldwell D8/395
D42,833 S * 7/1912 Carlsson D8/372

D232,518 S * 8/1974 McCoy D8/371
D248,013 S * 5/1978 Win D8/373
D297,111 S * 8/1988 Thompson et al. D8/373
D337,720 S * 7/1993 Handwerger et al. D8/373
D443,199 S * 6/2001 Swanson D8/373
D468,998 S * 1/2003 Zadak D8/373
D485,157 S * 1/2004 Rodrigue D8/372
D585,514 S * 1/2009 Cresswell D21/804
D607,312 S * 1/2010 Silverman D8/373
D668,530 S * 10/2012 Bermudez et al. D8/372
D711,213 S * 8/2014 Schorn D8/373

* cited by examiner

Primary Examiner — Robert M Spear

Assistant Examiner — Eliza Bennett-Hattan

(74) *Attorney, Agent, or Firm* — James A. Italia; Italia IP

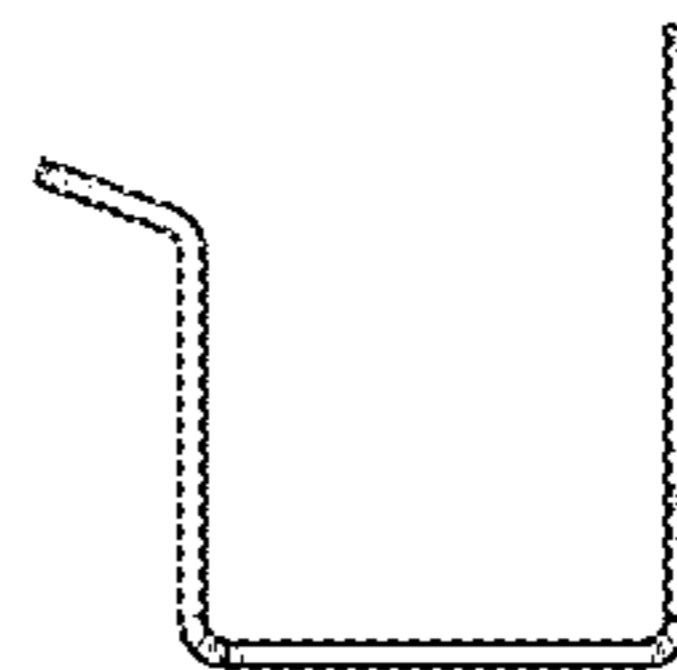
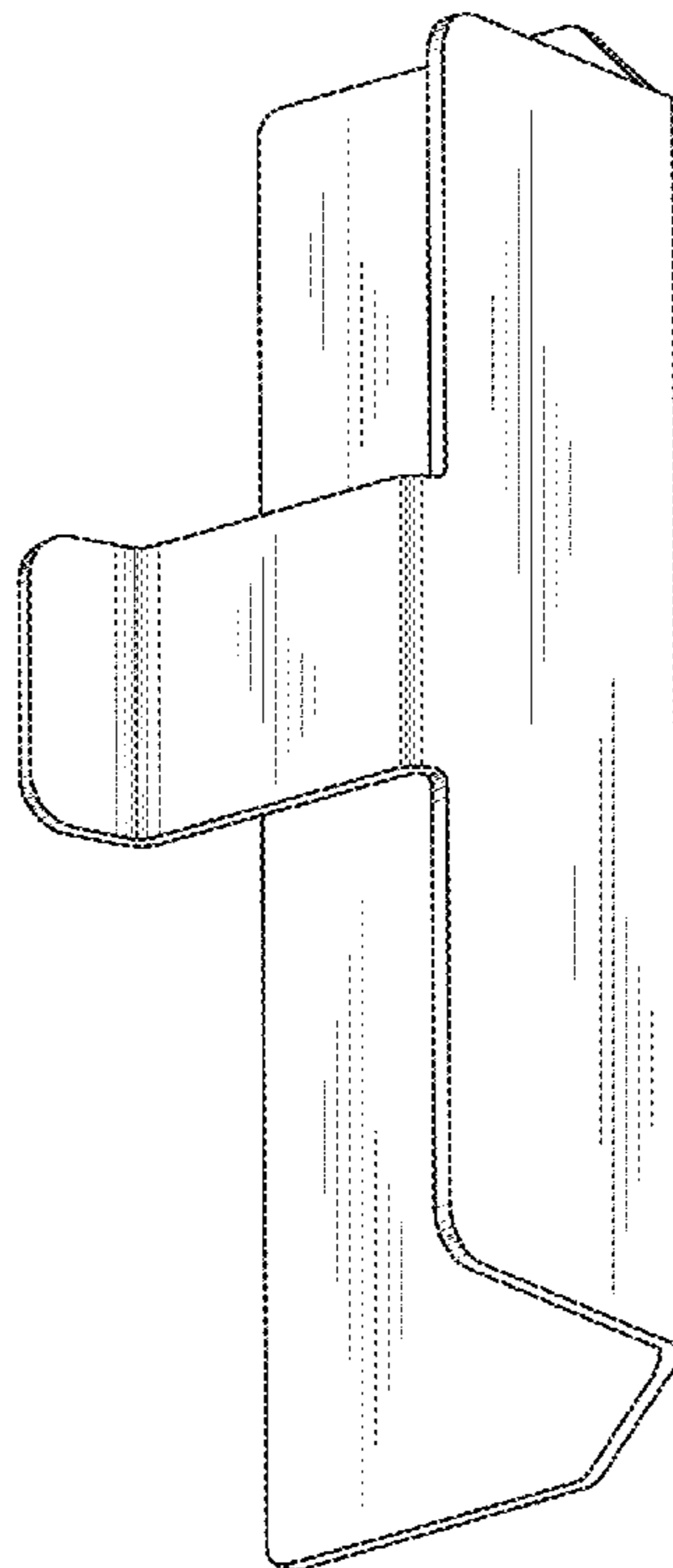
(57) **CLAIM**

The ornamental design for an end cap cover, as shown and described.

DESCRIPTION

FIG. 1 is a perspective view of an end cap cover, showing my new design;
FIG. 2 is a front elevational view of the invention;
FIG. 3 is a rear elevational view of the invention;
FIG. 4 is a right-side elevational view of the invention;
FIG. 5 is a left-side elevational view of the invention;
FIG. 6 is a top plan view of the invention; and,
FIG. 7 is a bottom plan view of the invention.

1 Claim, 2 Drawing Sheets



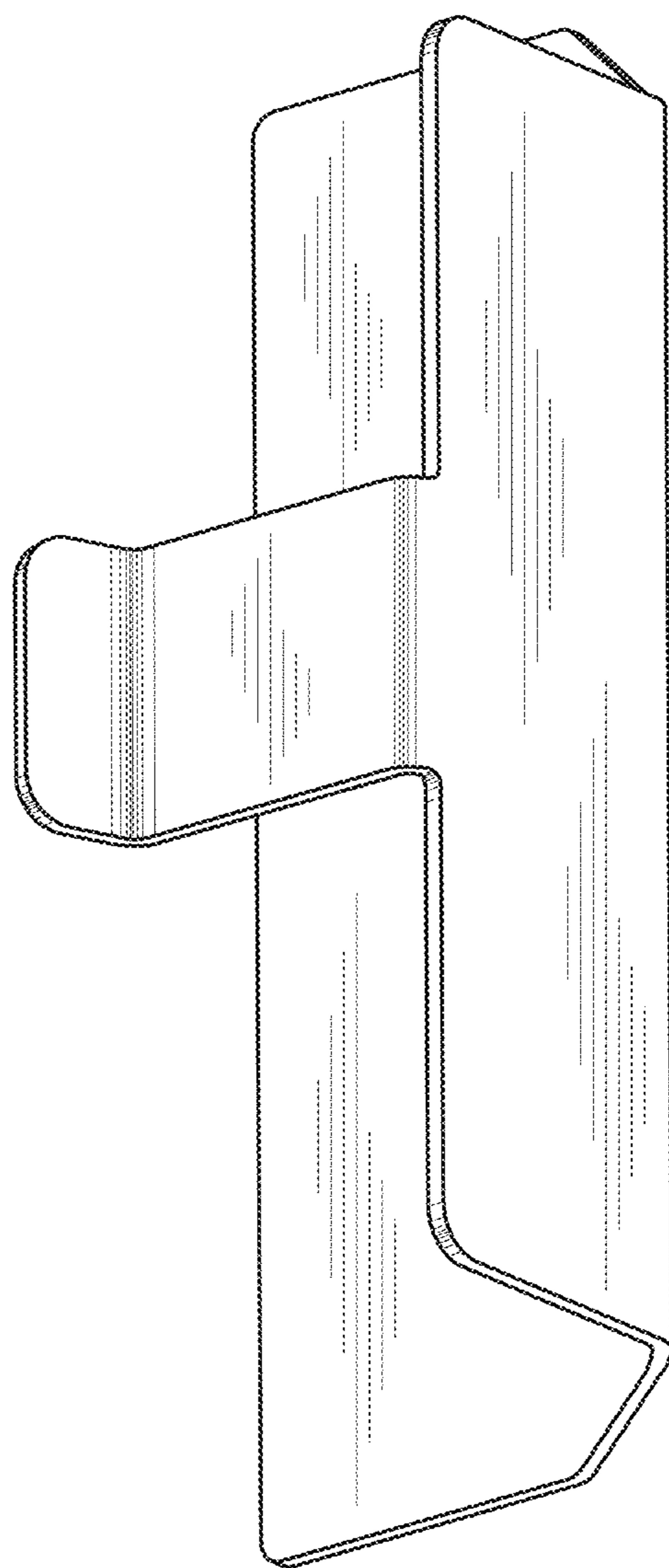


FIG. 1

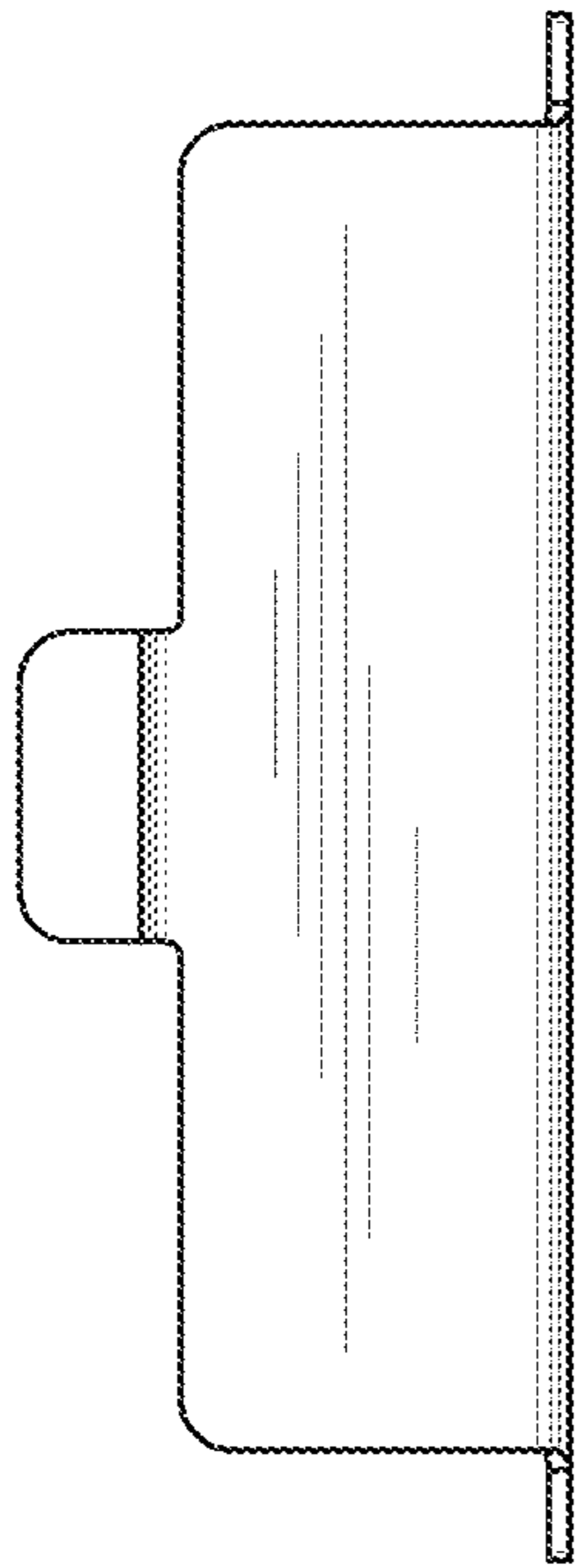


FIG. 2

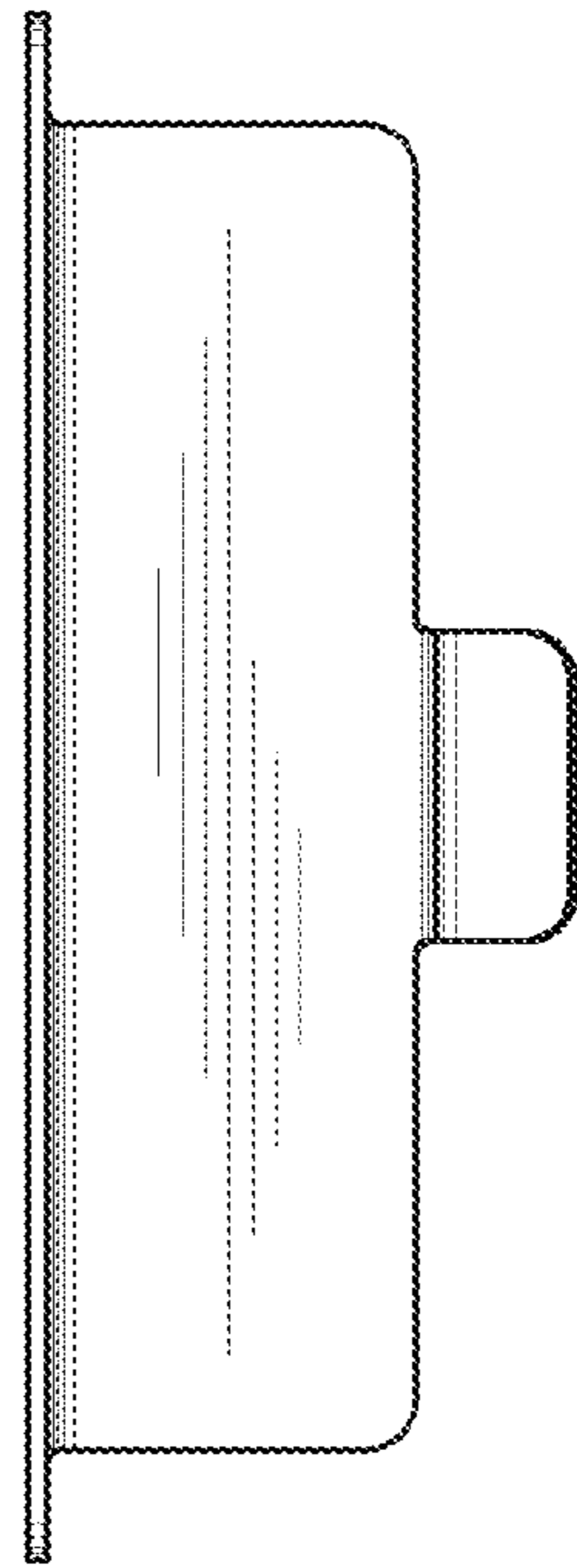


FIG. 3

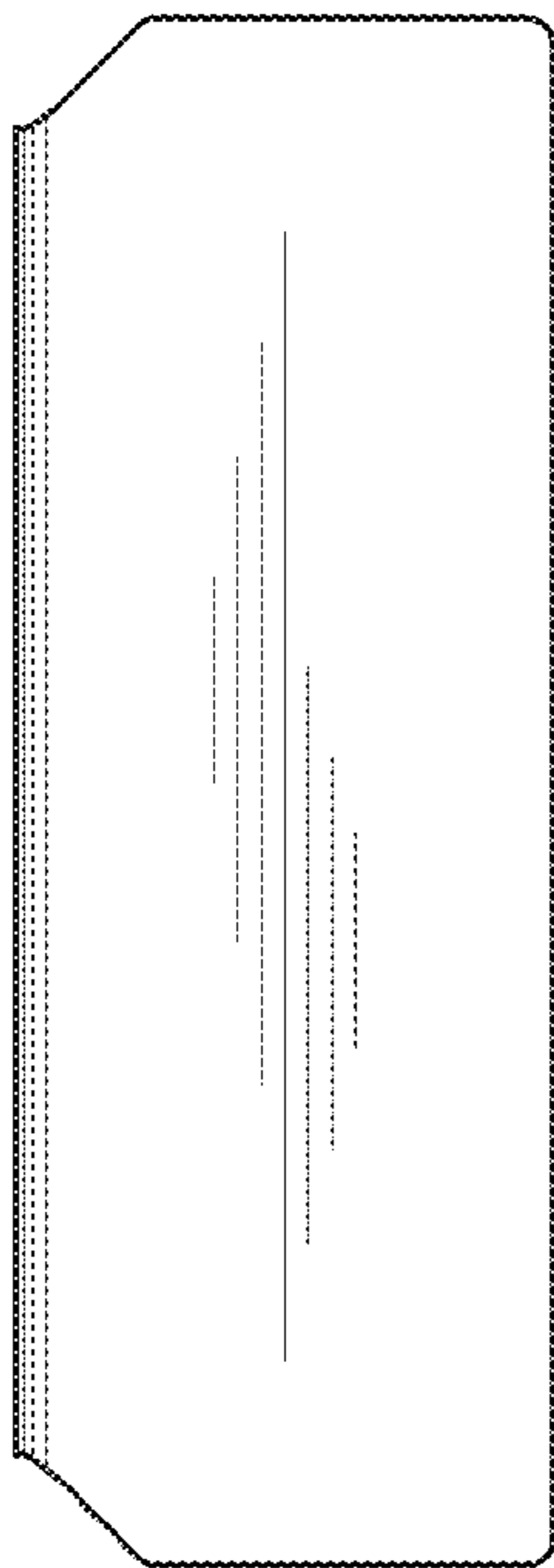


FIG. 4

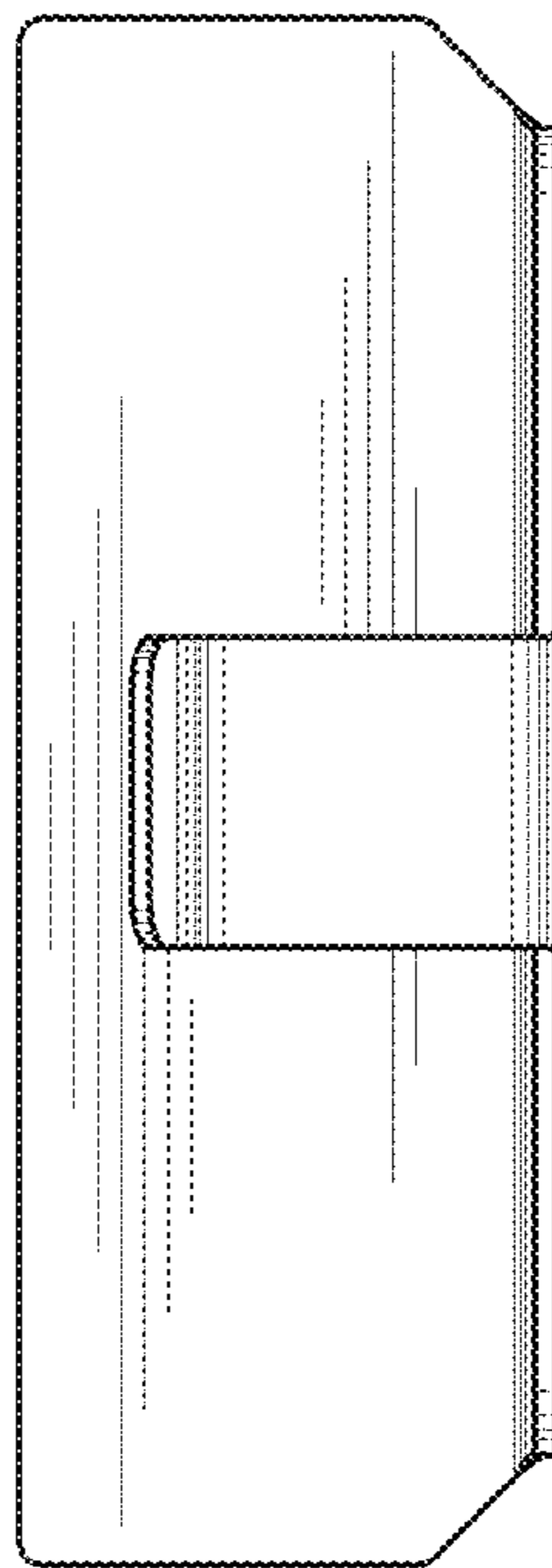


FIG. 5

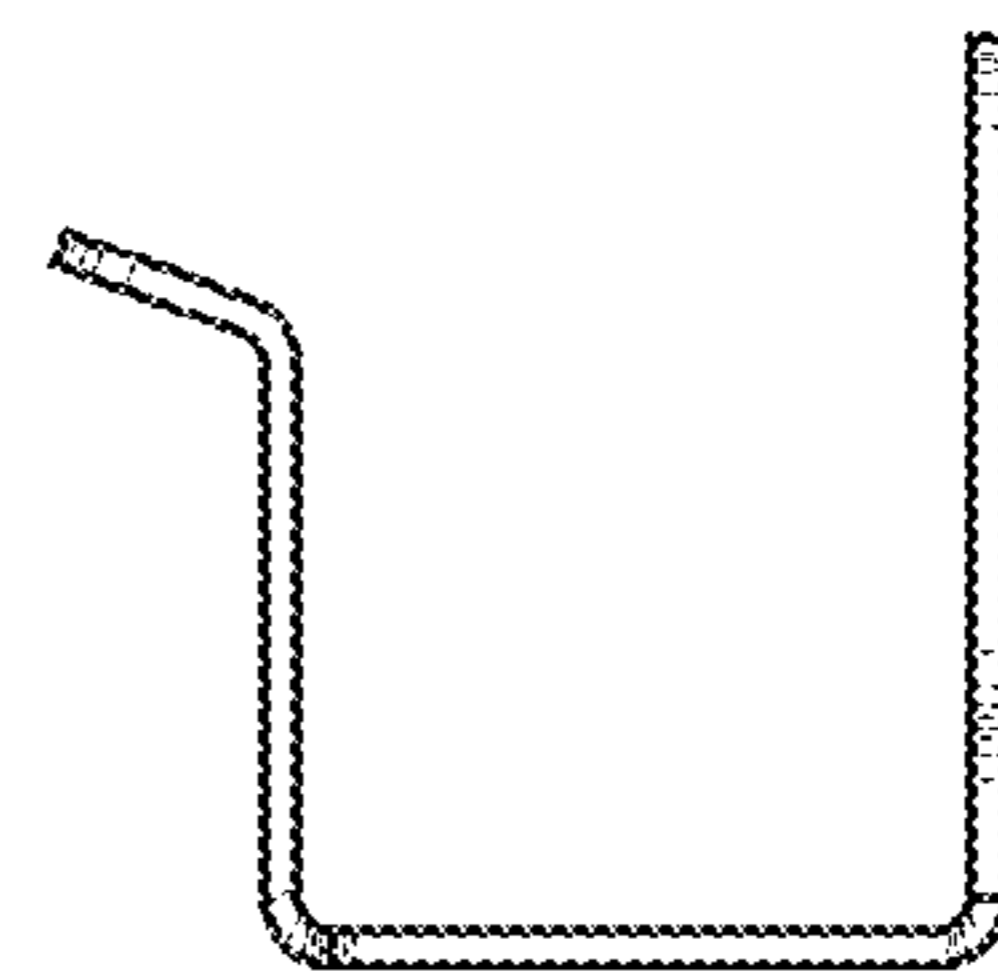


FIG. 6

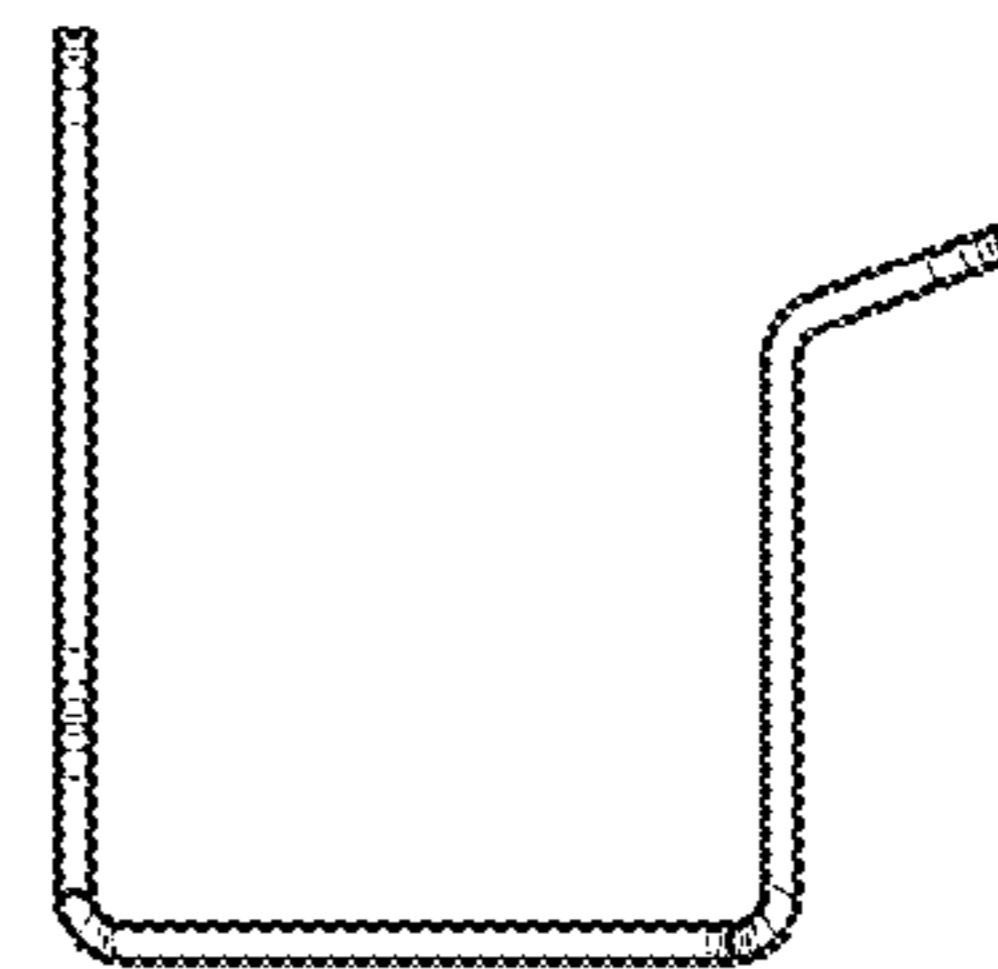


FIG. 7