



US00D746665S

(12) **United States Design Patent**  
**Sparks, II et al.**

(10) **Patent No.:** **US D746,665 S**

(45) **Date of Patent:** **\*\* Jan. 5, 2016**

(54) **HOOK WITH ARTICULATING LATCH**

D686,489 S \* 7/2013 Adams ..... D8/367  
D694,096 S \* 11/2013 DeFrancisci ..... D8/367  
D732,377 S \* 6/2015 Miszewski ..... D8/356

(71) Applicant: **The Crosby Group LLC**, Tulsa, OK  
(US)

**OTHER PUBLICATIONS**

(72) Inventors: **Keith A. Sparks, II**, Tulsa, OK (US);  
**Roger E. Beall**, Mounds, OK (US)

The Crosby Group General Catalog, The Heavy Lift Specialist, Copyright 2013 by The Crosby Group; Cover Page, Table of Contents, General Information page, p. 129—Crosby ROV Eye Shank Hooks; p. 132—Crosby Forged Hooks; p. 136—Crosby Angular Contact Bearing Swivels; www.thecrosbygroup.com/html/default.htm#/.  
\* cited by examiner

(73) Assignee: **The Crosby Group LLC**, Tulsa, OK  
(US)

(\*\*) Term: **14 Years**

*Primary Examiner* — Cynthia Underwood

(21) Appl. No.: **29/508,478**

(74) *Attorney, Agent, or Firm* — Head, Johnson & Kachigian, P.C.

(22) Filed: **Nov. 6, 2014**

(51) **LOC (10) Cl.** ..... **08-05**

(52) **U.S. Cl.**

USPC ..... **D8/367**

(58) **Field of Classification Search**

USPC ..... D8/323, 328, 367, 354, 349; 16/250,  
16/338, 227

CPC ..... E05D 5/12; E05D 11/082; E05D 1/02;  
B64G 1/222

See application file for complete search history.

(57) **CLAIM**

The ornamental design for a hook with articulating latch, as shown and described.

**DESCRIPTION**

FIG. 1 is a perspective rear view of a preferred embodiment of a hook with articulating latch constructed in accordance with the present invention;

FIG. 2 is a perspective front view thereof;

FIG. 3 is a right side view thereof;

FIG. 4 is a left side view thereof;

FIG. 5 is a rear view thereof;

FIG. 6 is a front view thereof;

FIG. 7 is a top view thereof; and,

FIG. 8 is a bottom view thereof.

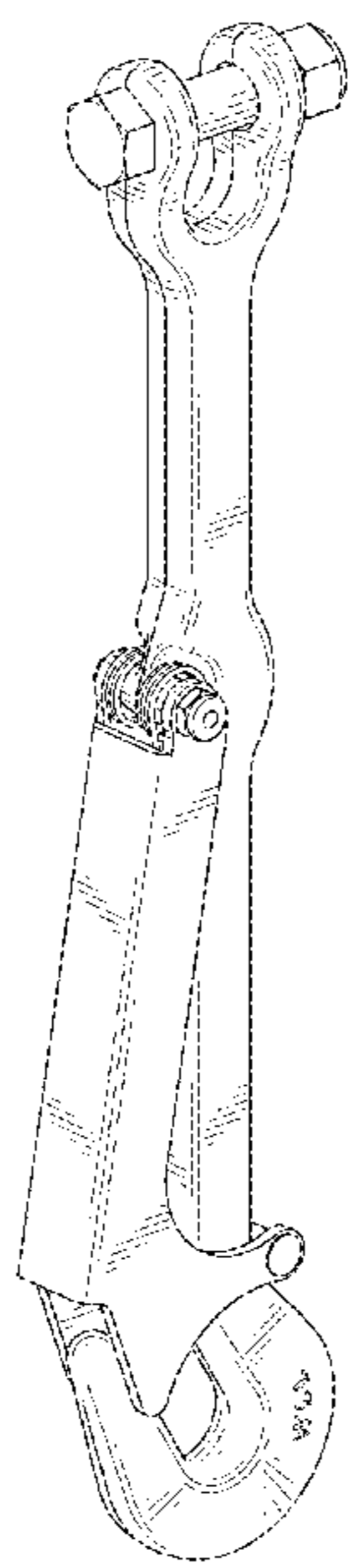
The broken lines in the drawings depict environmental subject matter/or parts of the hook with articulating latch only and form no part of the claimed design.

(56) **References Cited**

**U.S. PATENT DOCUMENTS**

- 2,775,747 A \* 12/1956 Reischer ..... H02G 7/056  
174/79
- D335,622 S \* 5/1993 Millsap ..... D8/323
- 6,338,590 B1 \* 1/2002 Stauske ..... F16G 11/02  
29/458
- D502,089 S \* 2/2005 Hung ..... D8/367
- D502,389 S \* 3/2005 Hong ..... D8/356
- D526,555 S \* 8/2006 Kelleghan ..... D8/107
- D591,679 S \* 5/2009 Zenk ..... D13/133

**1 Claim, 4 Drawing Sheets**



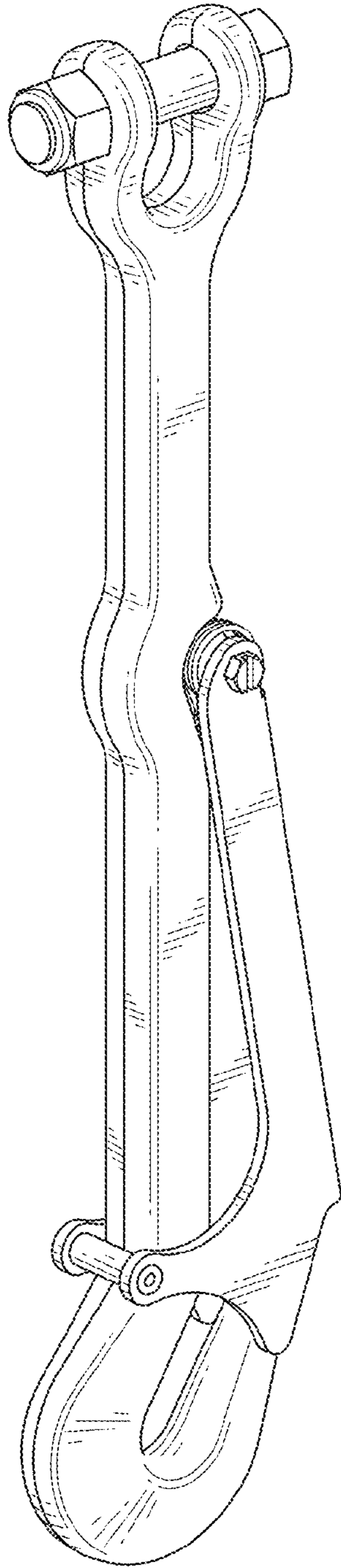


FIG. 1

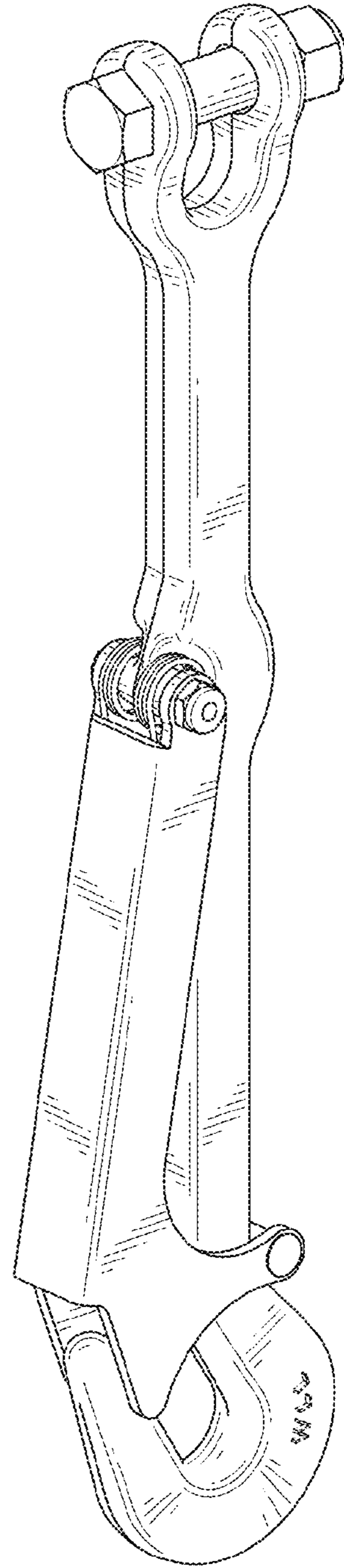


FIG. 2

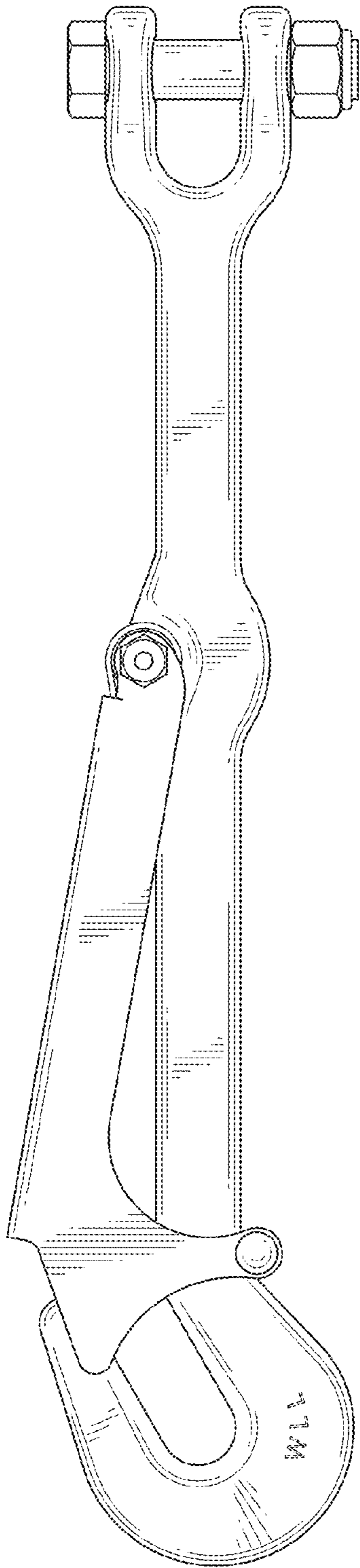


FIG. 3

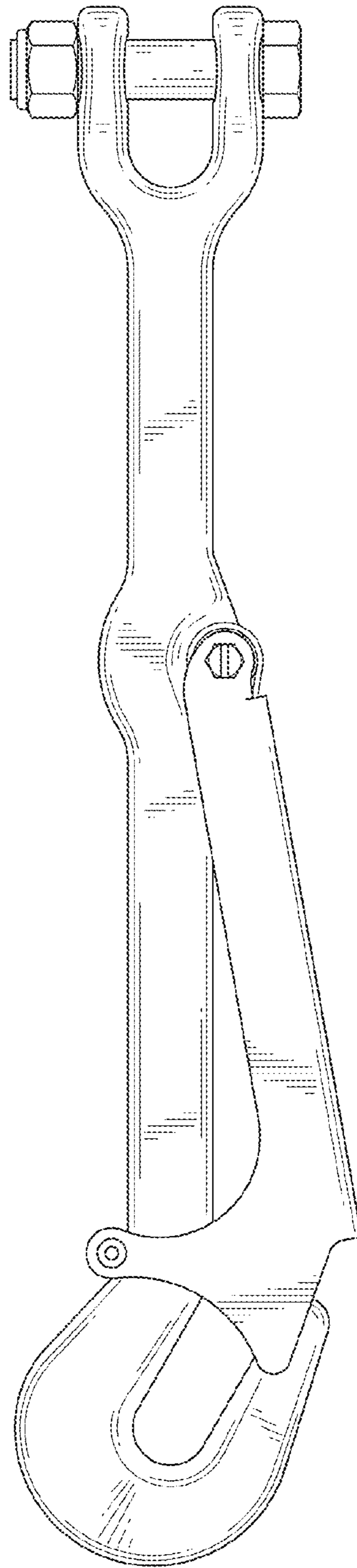


FIG. 4

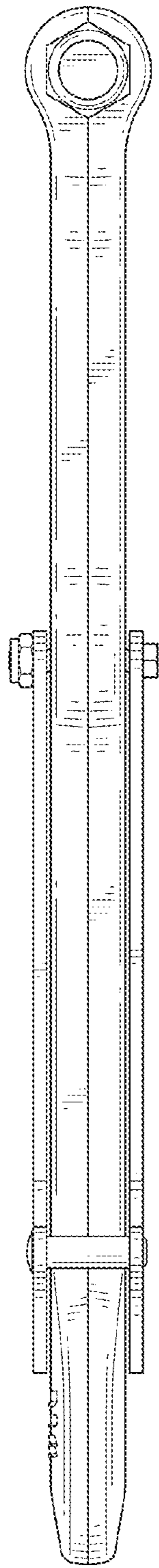


FIG. 5

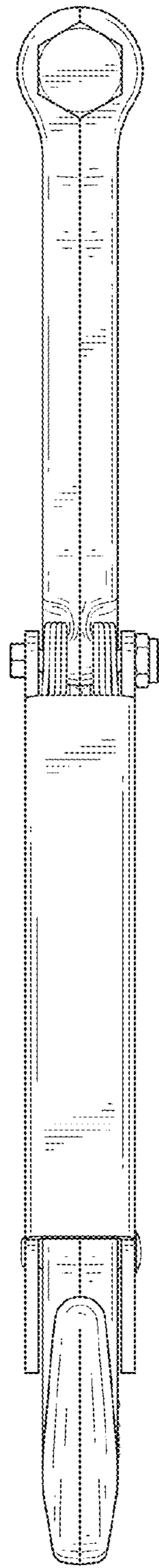
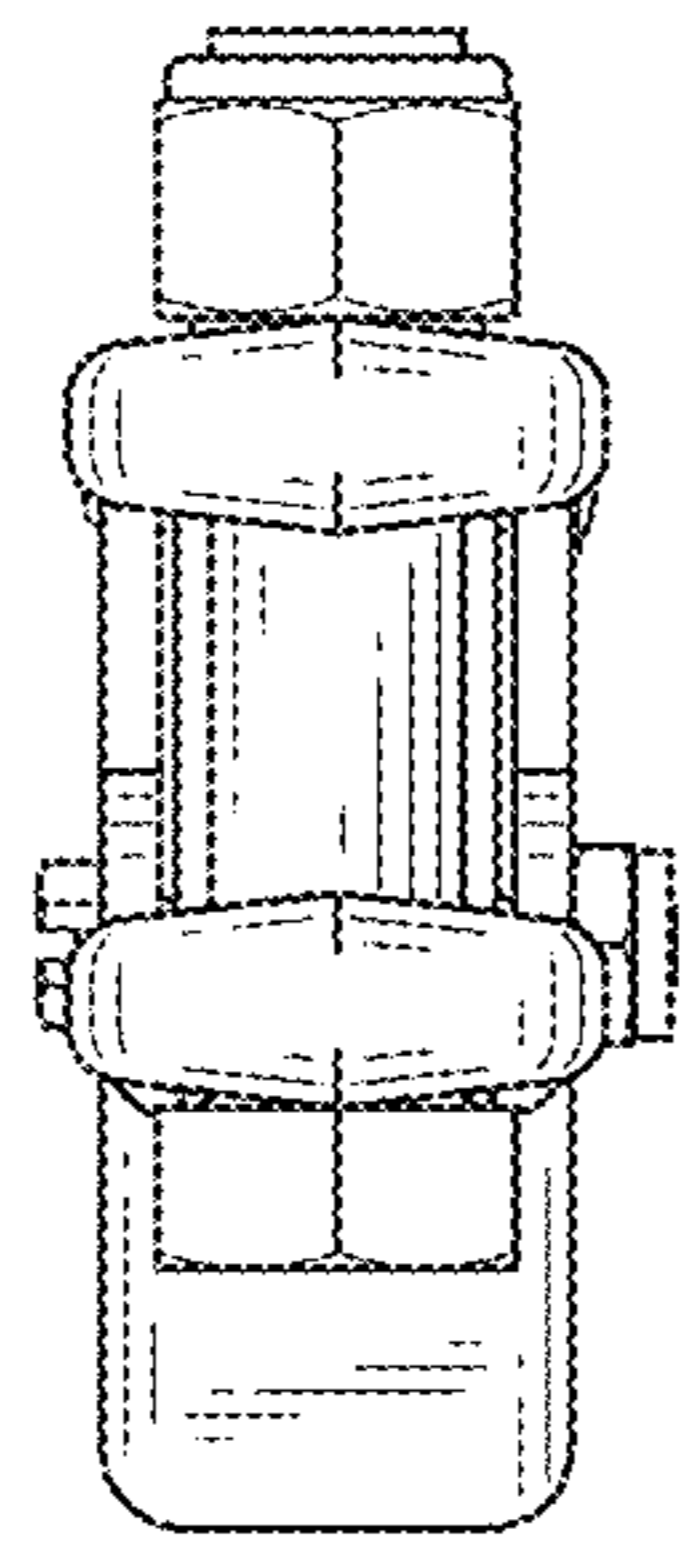
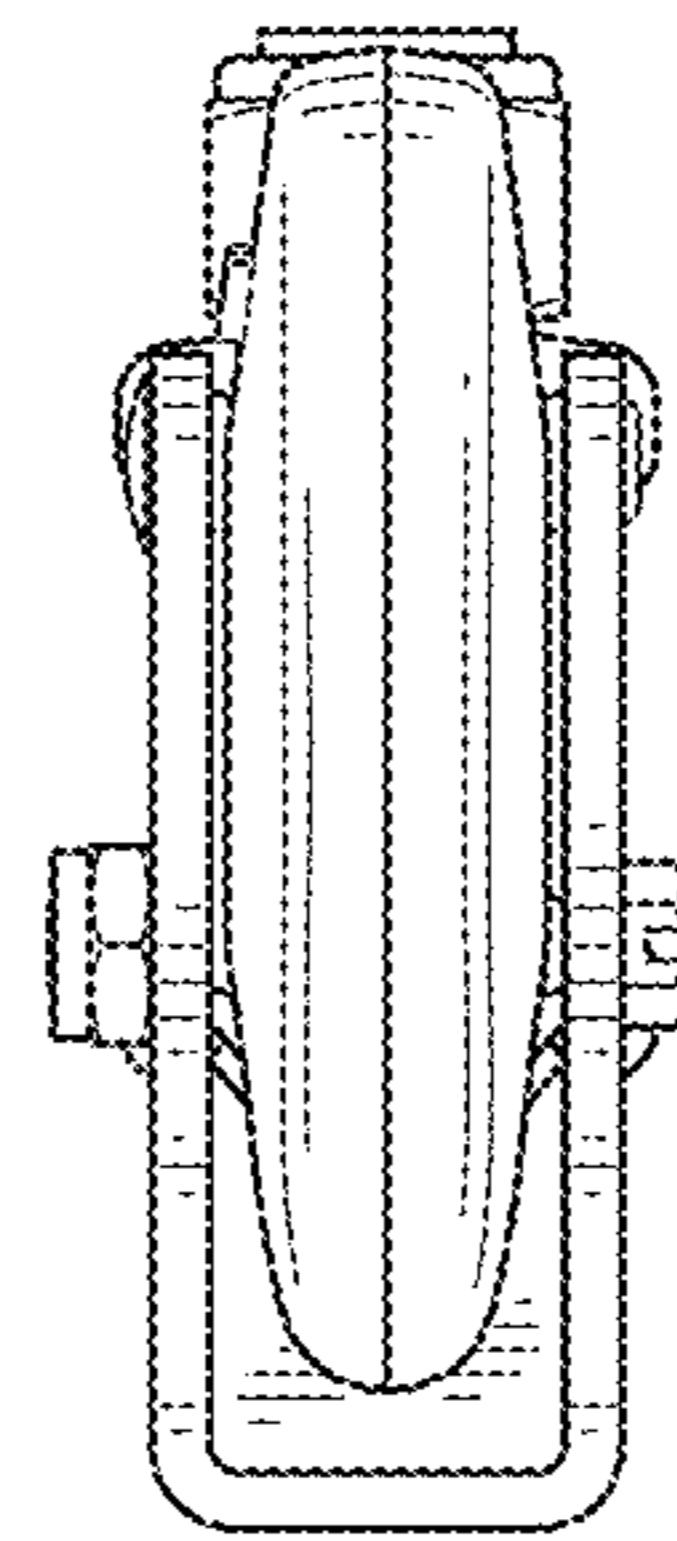


FIG. 6



*FIG. 7*



*FIG. 8*