



US00D746664S

(12) **United States Design Patent**
Najieb

(10) **Patent No.:** **US D746,664 S**
(45) **Date of Patent:** **** Jan. 5, 2016**

- (54) **WALL BRACKET FOR A FAN**
- (71) Applicant: **Arif Najieb**, Bennett, CO (US)
- (72) Inventor: **Arif Najieb**, Bennett, CO (US)
- (**) Term: **14 Years**
- (21) Appl. No.: **29/500,521**
- (22) Filed: **Aug. 26, 2014**
- (51) **LOC (10) Cl.** **08-05**
- (52) **U.S. Cl.**
USPC **D8/367; D23/411**
- (58) **Field of Classification Search**
USPC D23/370–385, 411–414, 59;
392/360–364; 416/5, 170 R, 93 R,
416/210 R, 223 R, 207; D8/300, 367;
D6/323
CPC F04D 29/34; F04D 29/38; F04D 25/088
See application file for complete search history.

(56) **References Cited**

U.S. PATENT DOCUMENTS

- D267,604 S * 1/1983 Peabody D8/367
- D318,904 S * 8/1991 Hartkopf D23/252
- D448,654 S * 10/2001 Snell D8/367
- D450,566 S * 11/2001 Gottwald D6/323
- D466,351 S * 12/2002 Tai D6/524

- D486,681 S * 2/2004 Hoernig D6/523
- D585,525 S * 1/2009 Ko D23/242
- D609,515 S * 2/2010 Krumpe D6/524
- D630,490 S * 1/2011 Lundstrom D8/300
- D630,491 S * 1/2011 Lundstrom D8/300
- D699,970 S * 2/2014 Sedwick D6/524
- D717,550 S * 11/2014 Harden D6/323

* cited by examiner

Primary Examiner — Sandra Snapp

(74) *Attorney, Agent, or Firm* — Dorr, Carson & Birney, PC

(57) **CLAIM**

The ornamental design for a wall bracket for a fan, as shown and described.

DESCRIPTION

FIG. 1 is a front perspective view of a wall bracket for a fan showing my new design.

FIG. 2 is a left side elevational view thereof, with the right side elevational view being a mirror image of FIG. 2.

FIG. 3 is a top plan view thereof.

FIG. 4 is a front elevational view thereof.

FIG. 5 is a rear elevational view thereof.

FIG. 6 is a bottom plan view thereof.

FIG. 7 is a front perspective view of an alternative embodiment of a wall bracket for a fan showing my new design; and,

FIG. 8 is a top plan view of the embodiment shown in FIG. 7.

1 Claim, 3 Drawing Sheets

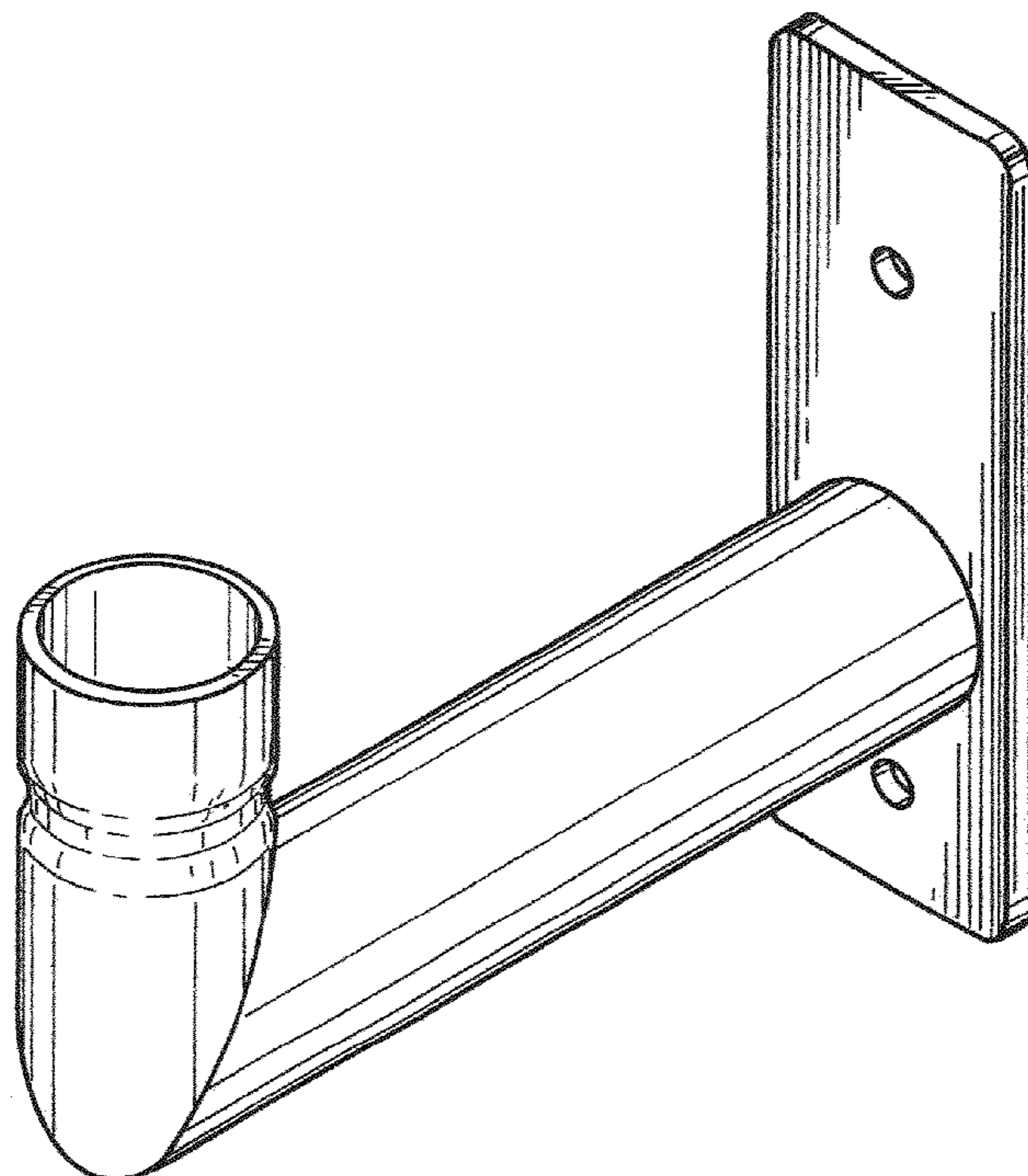


FIG. 1

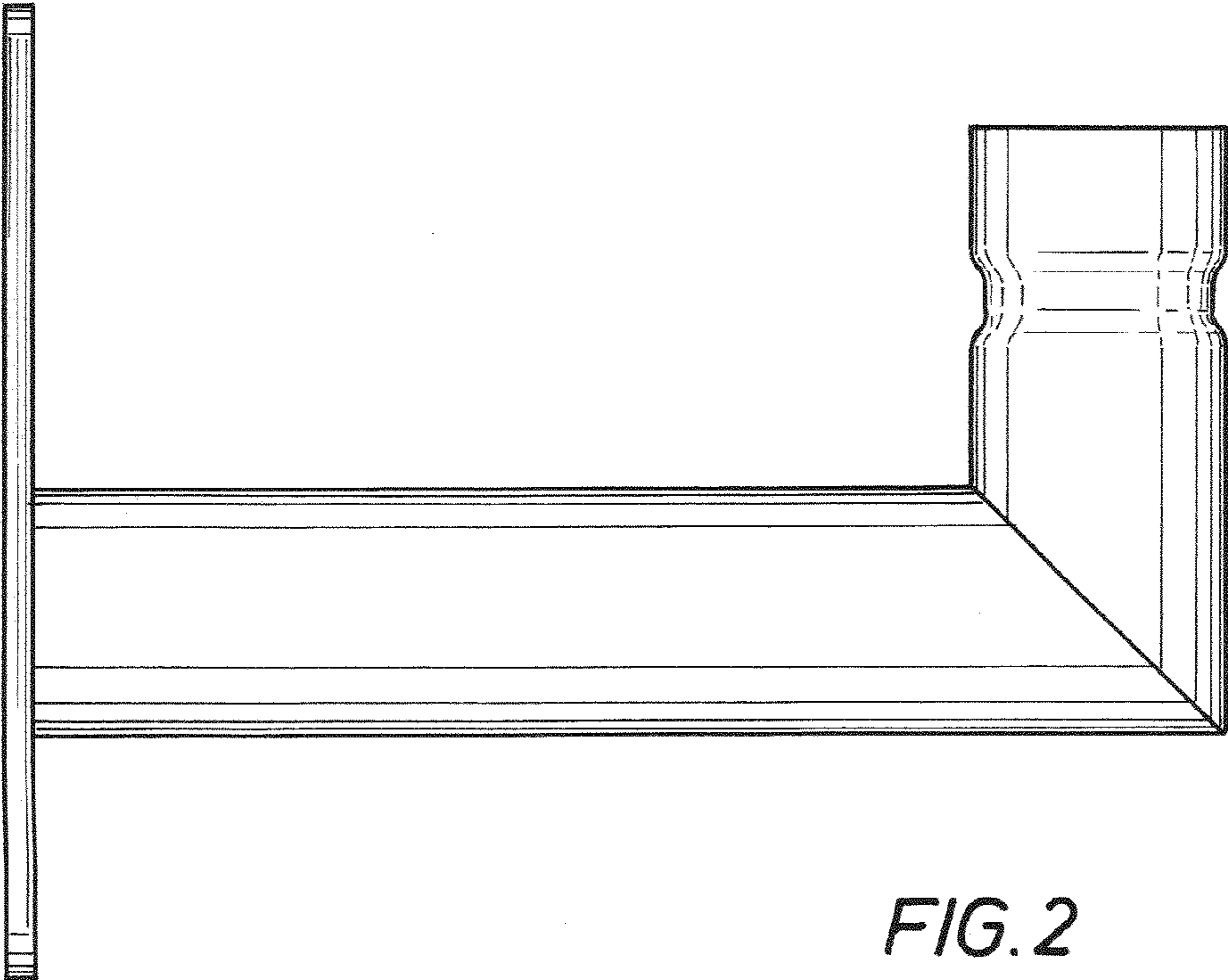
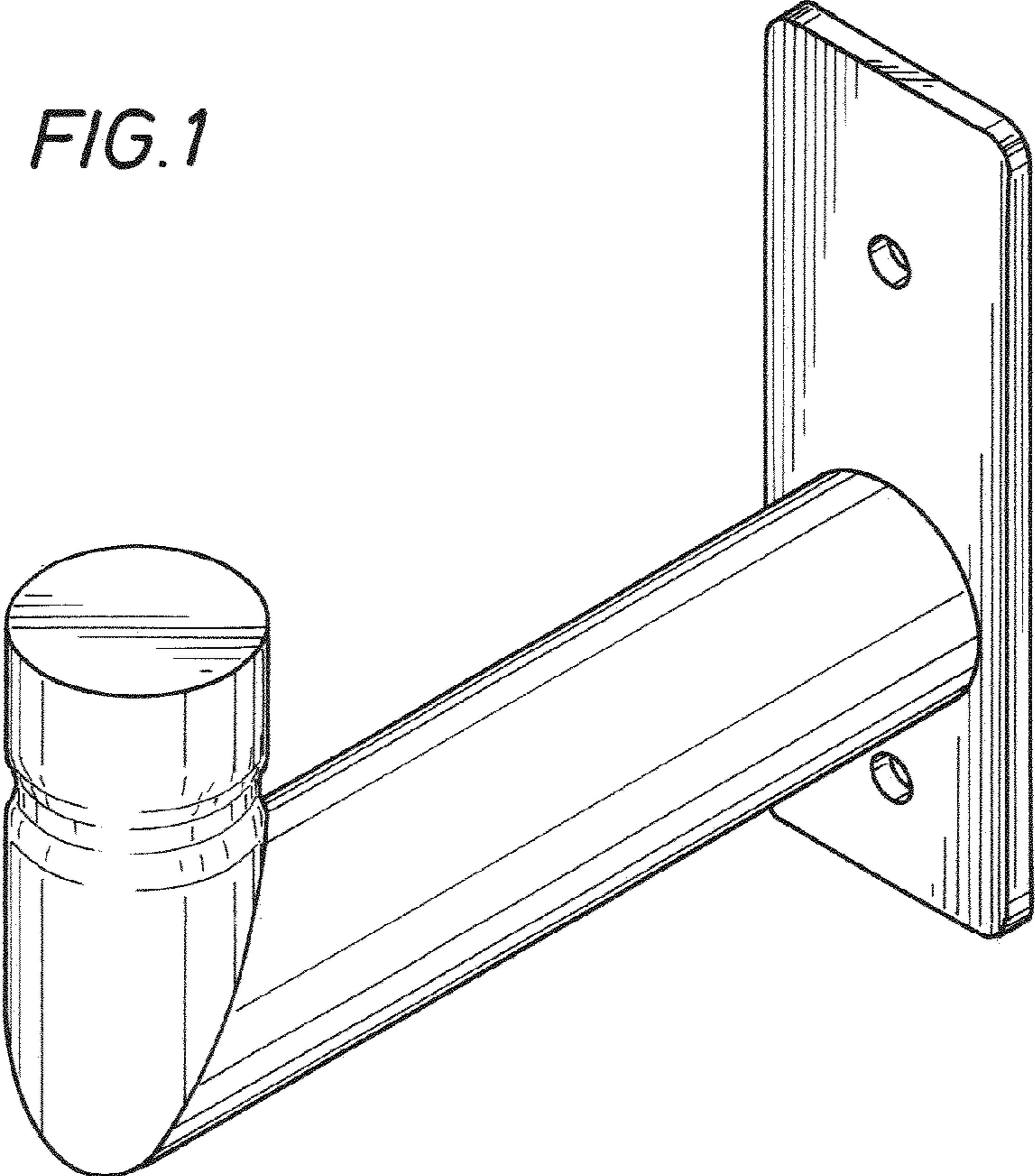


FIG. 2

FIG. 3

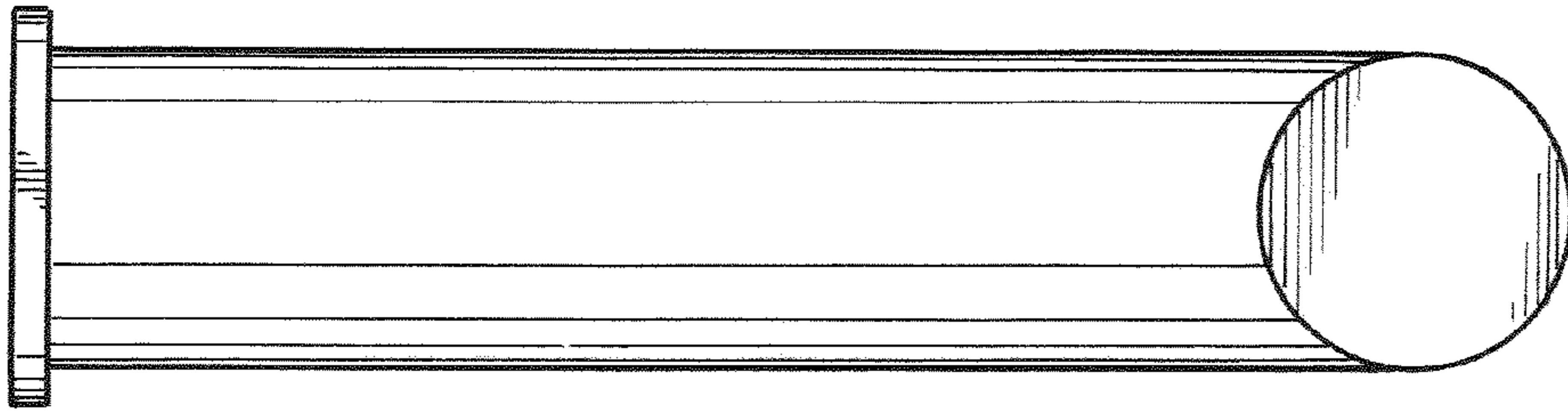


FIG. 4

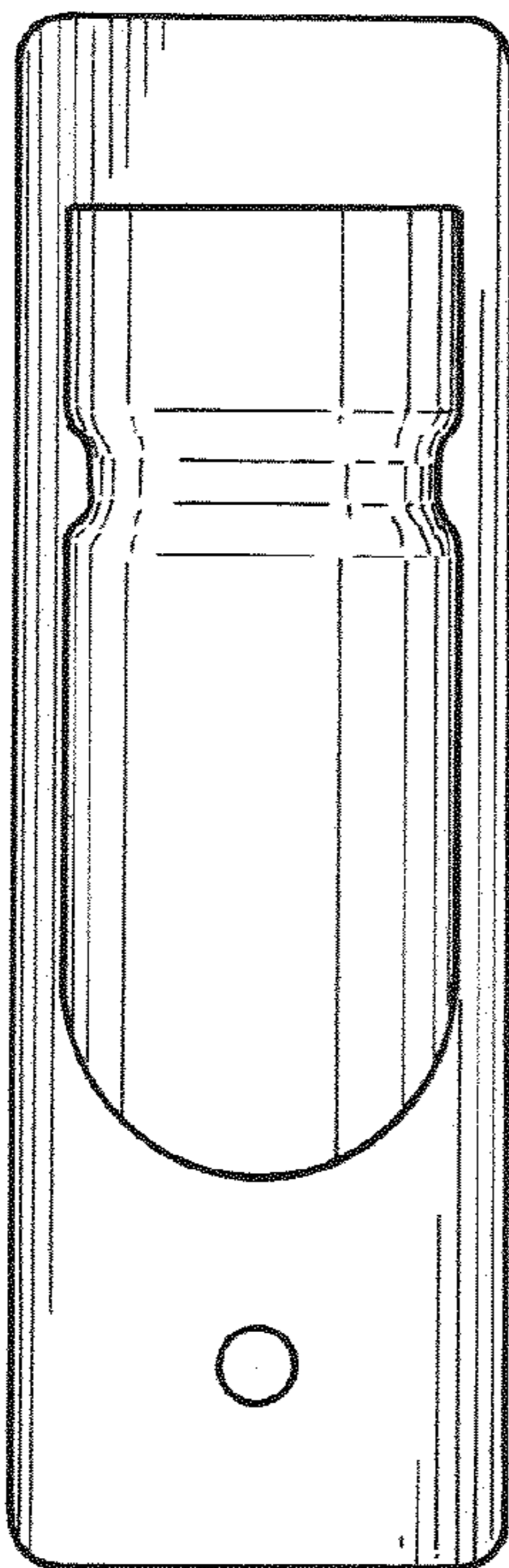


FIG. 5

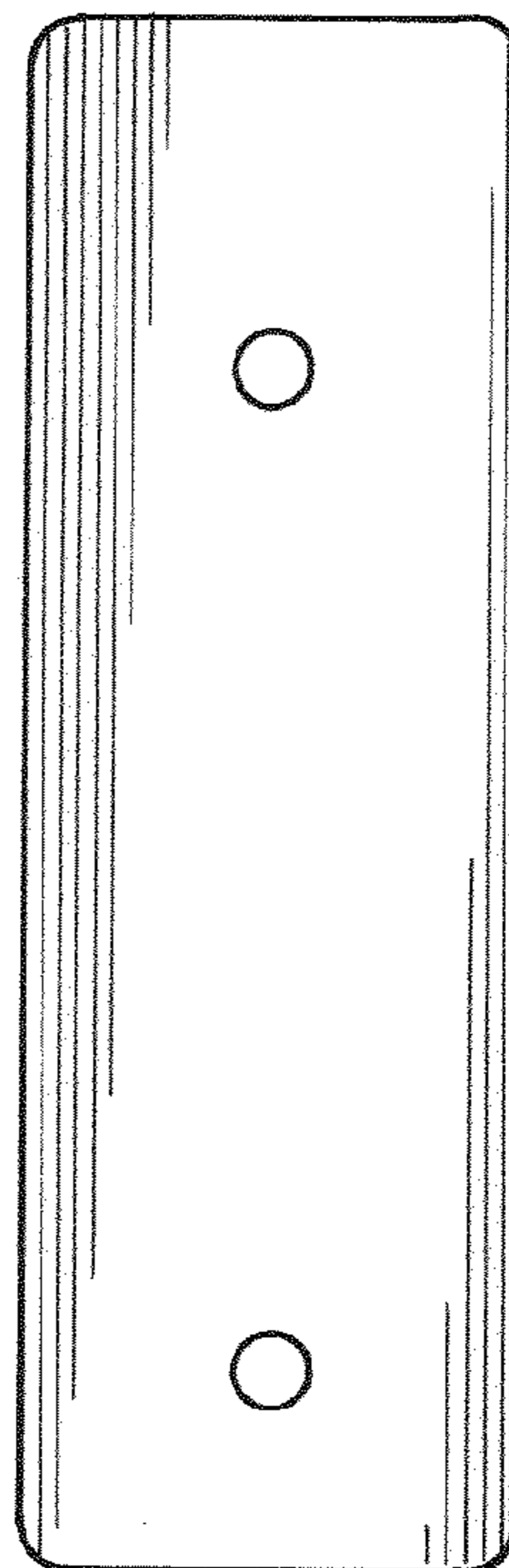


FIG. 6

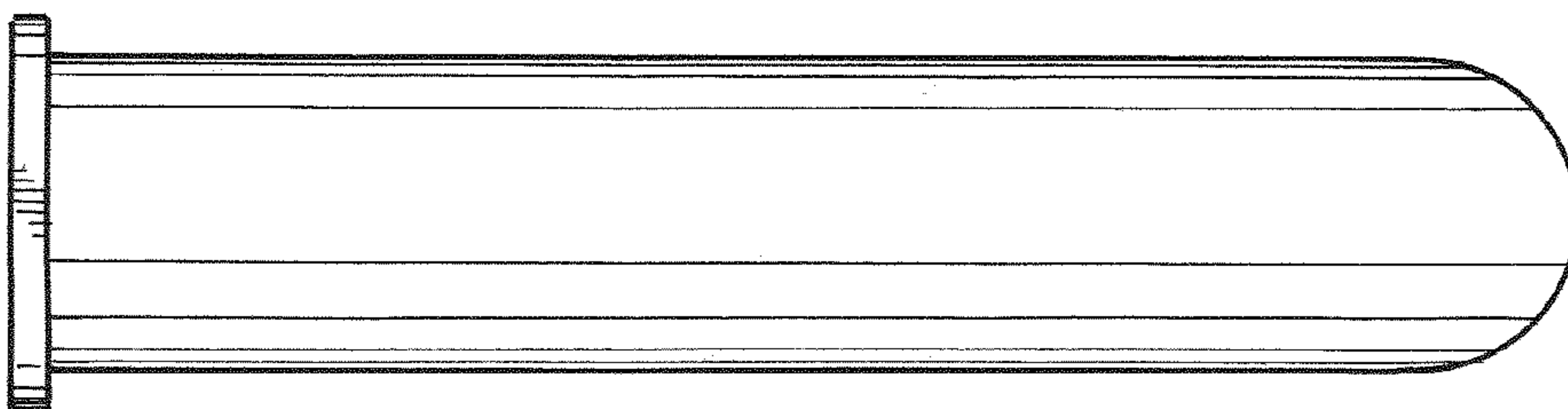


FIG. 7

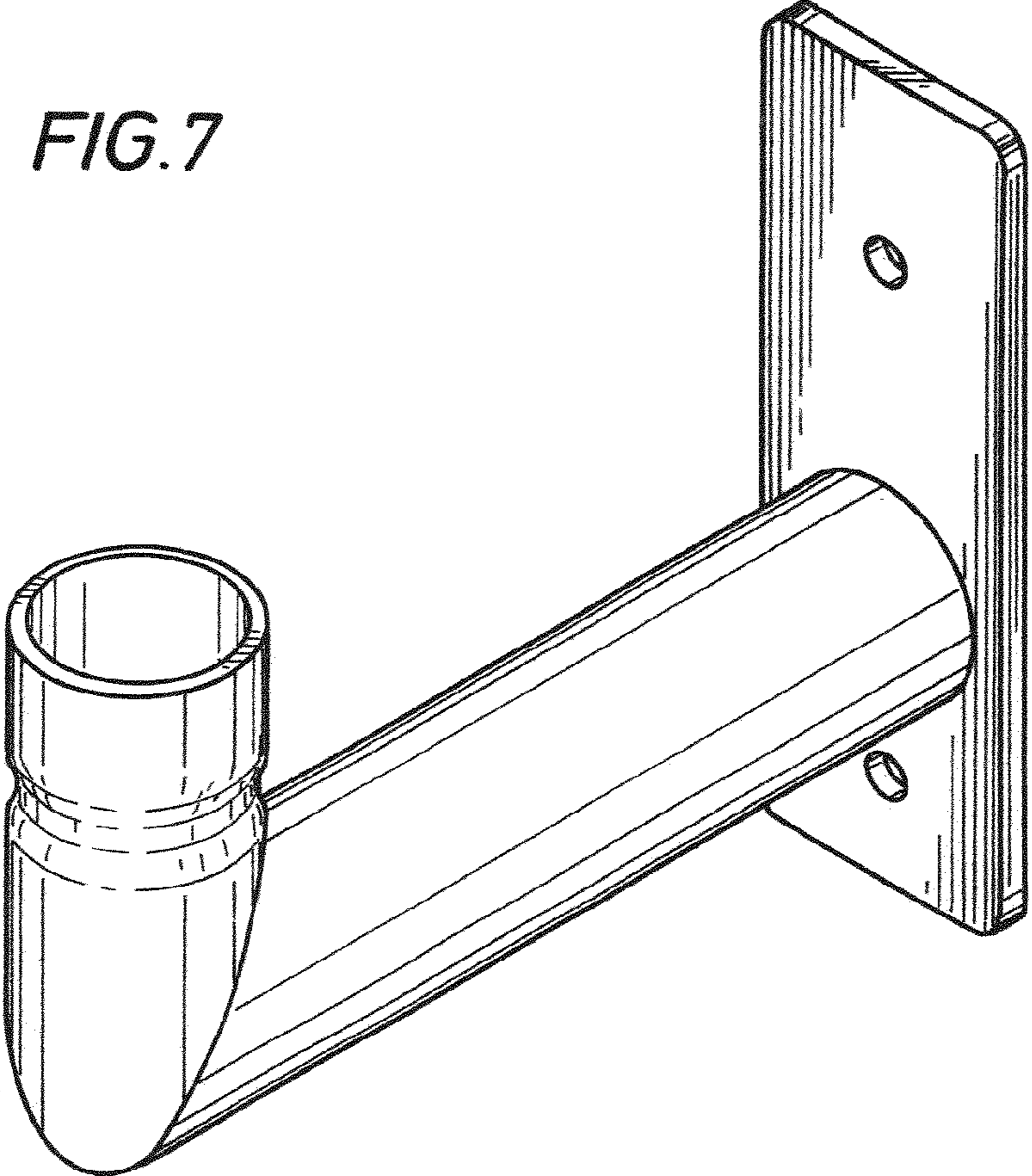


FIG. 8

