



US00D746660S

(12) **United States Design Patent**
Stevens et al.

(10) **Patent No.:** **US D746,660 S**
(45) **Date of Patent:** **** Jan. 5, 2016**

- (54) **PADLOCK**
- (71) Applicant: **Master Lock Company**, Oak Creek, WI (US)
- (72) Inventors: **Scott Stevens**, Oak Creek, WI (US);
Scott Kalous, Kenosha, WI (US)
- (73) Assignee: **Master Lock Company LLC**, Oak Creek, WI (US)
- (**) Term: **14 Years**
- (21) Appl. No.: **29/497,373**
- (22) Filed: **Jul. 23, 2014**
- (51) **LOC (10) Cl.** **08-07**
- (52) **U.S. Cl.**
USPC **D8/334**
- (58) **Field of Classification Search**
USPC D8/330-347; 70/14, 20-28, 31, 32, 39,
70/41, 52-56, 86, 314, 423, DIG. 43,
70/DIG. 56, 38 A, DIG. 3, DIG. 4
CPC E05B 67/08; E05B 67/00; E05B 67/02;
E05B 2067/00; E05B 9/00; E05B 63/00
See application file for complete search history.

8,353,184 B2 *	1/2013	Ling et al.	70/21
D679,168 S	4/2013	Stevens et al.	
D683,611 S *	6/2013	Walter	D8/334
D688,114 S	8/2013	Stevens	
D689,358 S	9/2013	Stevens	
D691,458 S	10/2013	Stevens	
D691,870 S	10/2013	Stevens	
D695,589 S	12/2013	Stevens et al.	
D698,225 S	1/2014	Stevens et al.	
D701,105 S	3/2014	Stevens	
D701,106 S	3/2014	Plato	
D701,745 S	4/2014	Stevens	
D701,746 S	4/2014	Stevens et al.	
D702,102 S	4/2014	Stevens	
D703,024 S	4/2014	Paulson et al.	
D703,514 S	4/2014	Stevens et al.	
D704,032 S	5/2014	Plato	
D704,531 S	5/2014	Stevens	

(Continued)

Primary Examiner — Prabhakar Deshmukh
(74) *Attorney, Agent, or Firm* — Foley & Lardner LLP

(57) **CLAIM**
We claim the ornamental design for a padlock, as shown and described.

DESCRIPTION

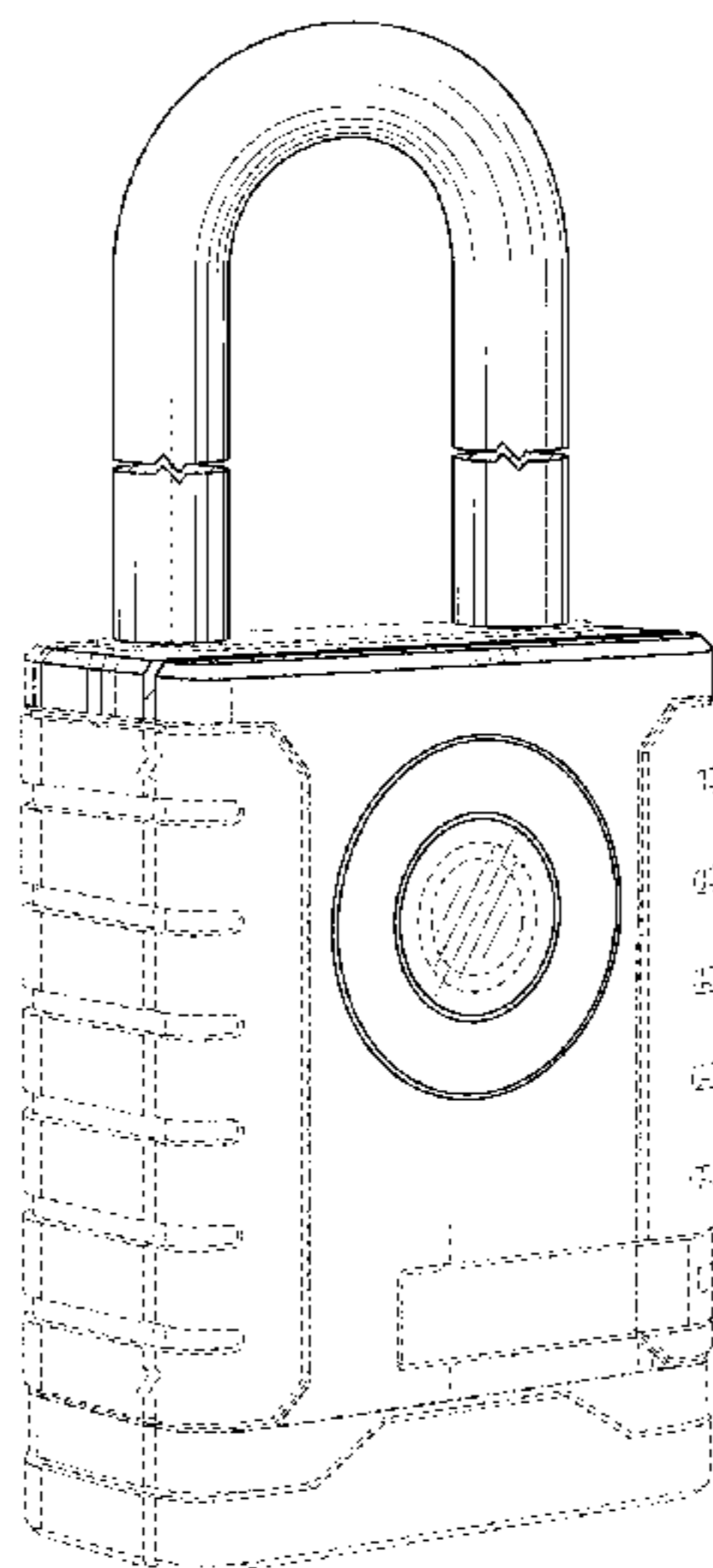
FIG. 1 is a top, front, left perspective view of a padlock showing our new design;
FIG. 2 is a front elevational view thereof;
FIG. 3 is a rear elevational view thereof;
FIG. 4 is a left side elevational view thereof;
FIG. 5 is a right side elevational view thereof;
FIG. 6 is a top plan view thereof; and,
FIG. 7 is a bottom plan view thereof.
The broken lines indicate unclaimed portions and form no part of the claimed design. The broken away portions of the shackle and the lock body indicate undetermined length and the portions between the broken away portions of the shackle and the lock body form no part of the claimed design.

1 Claim, 5 Drawing Sheets

(56) **References Cited**

U.S. PATENT DOCUMENTS

2,904,985 A *	9/1959	Murphy	70/51
3,626,729 A *	12/1971	Fane et al.	70/18
5,761,935 A *	6/1998	Adelmeyer	70/55
D516,896 S *	3/2006	Kearns et al.	D8/334
7,155,944 B1 *	1/2007	Lin	70/21
D541,631 S	5/2007	Heppner	
D547,162 S	7/2007	Heppner	
D549,554 S	8/2007	Heppner	
D587,986 S *	3/2009	Zorc et al.	D8/343
D605,928 S *	12/2009	Stevens et al.	D8/334
D638,684 S	5/2011	Stevens	
D656,384 S	3/2012	Wojtak	



(56)

References Cited

U.S. PATENT DOCUMENTS

D704,532 S 5/2014 Stevens et al.
D705,038 S 5/2014 Stevens
D705,641 S 5/2014 Stevens et al.
D707,101 S 6/2014 Stevens

D720,204 S 12/2014 Ferragu
D720,600 S 1/2015 Paulson et al.
D720,601 S 1/2015 Paulson et al.
D720,602 S 1/2015 Paulson et al.
D720,983 S 1/2015 Paulson et al.
D721,261 S * 1/2015 Yong et al. D8/334
D722,485 S * 2/2015 Yong et al. D8/334

* cited by examiner

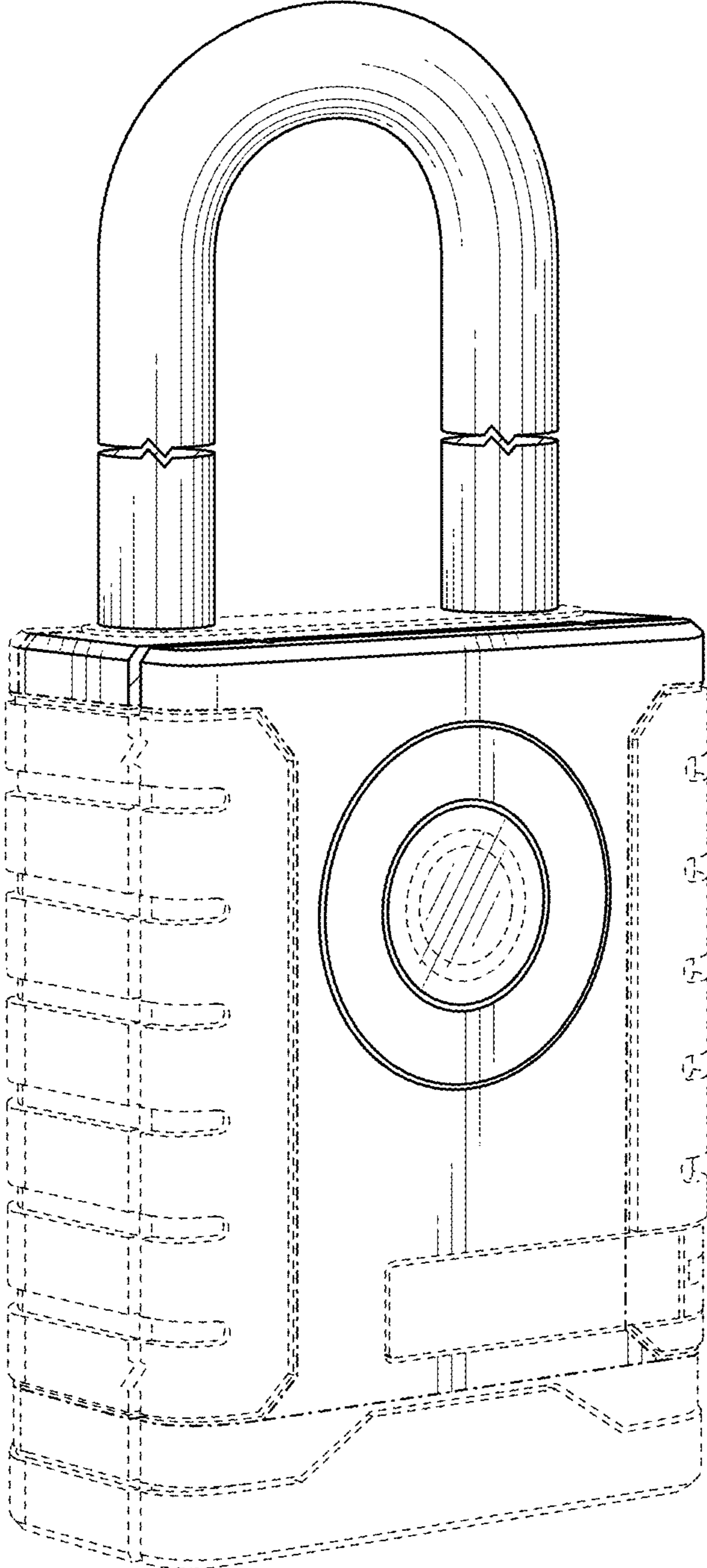


FIG. 1

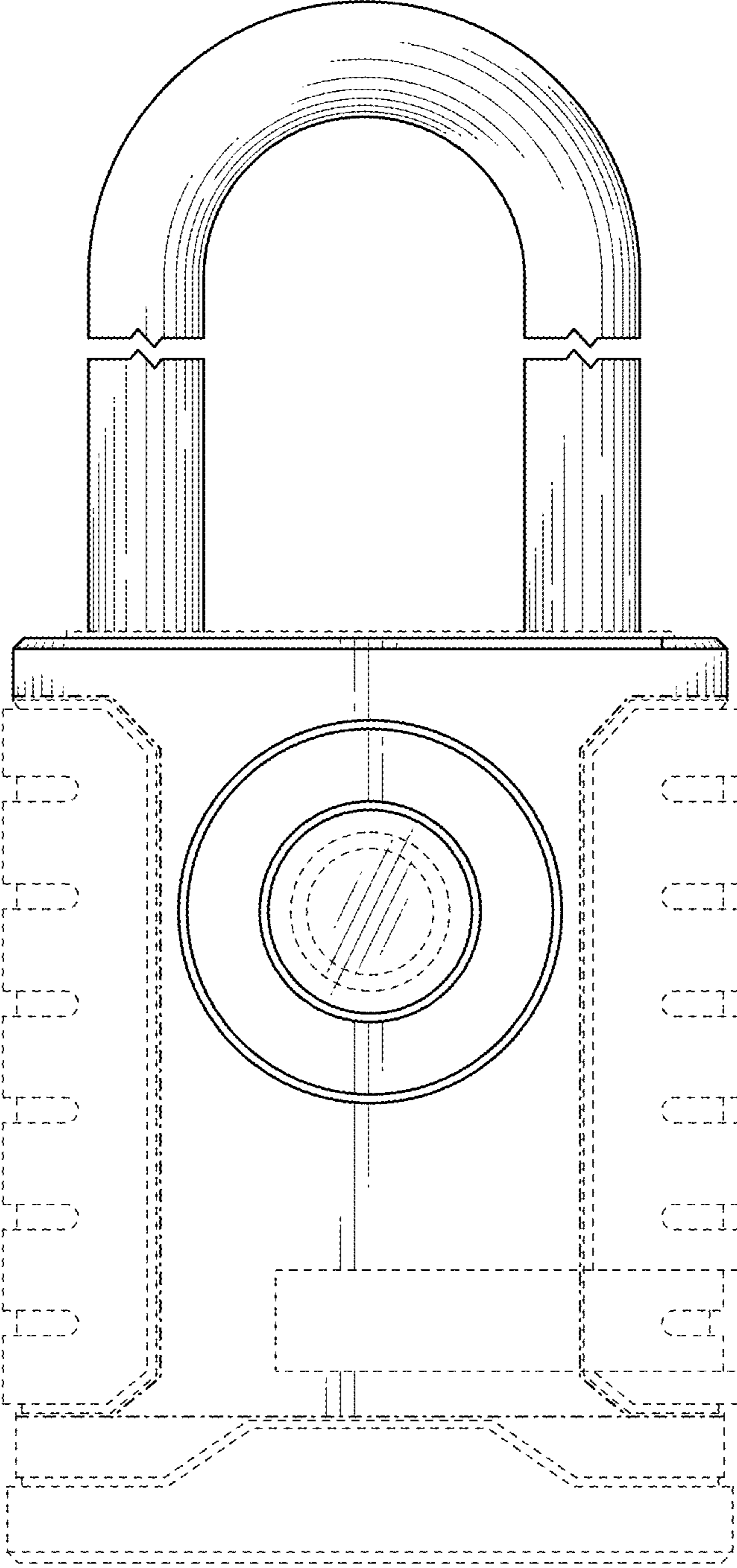


FIG. 2

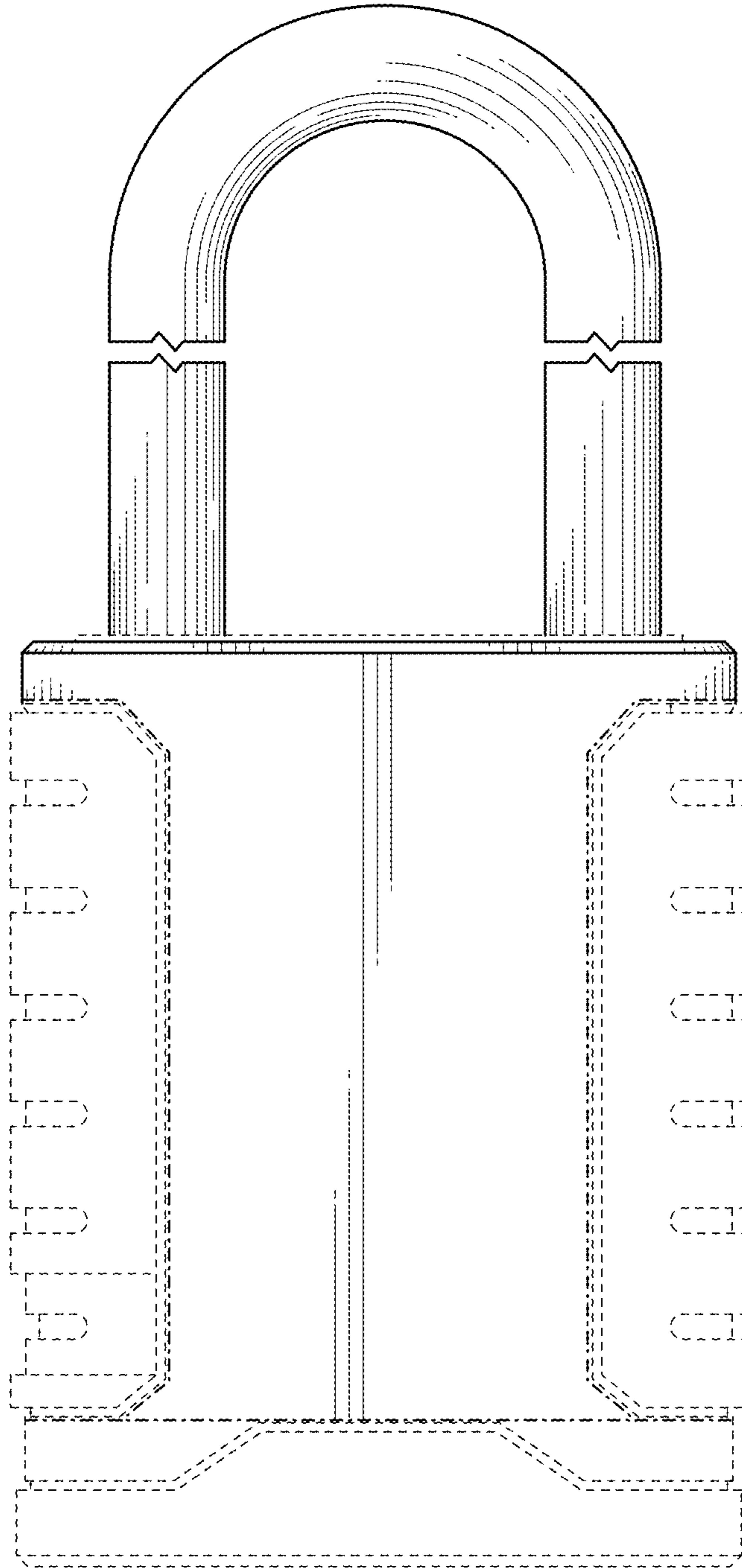


FIG. 3

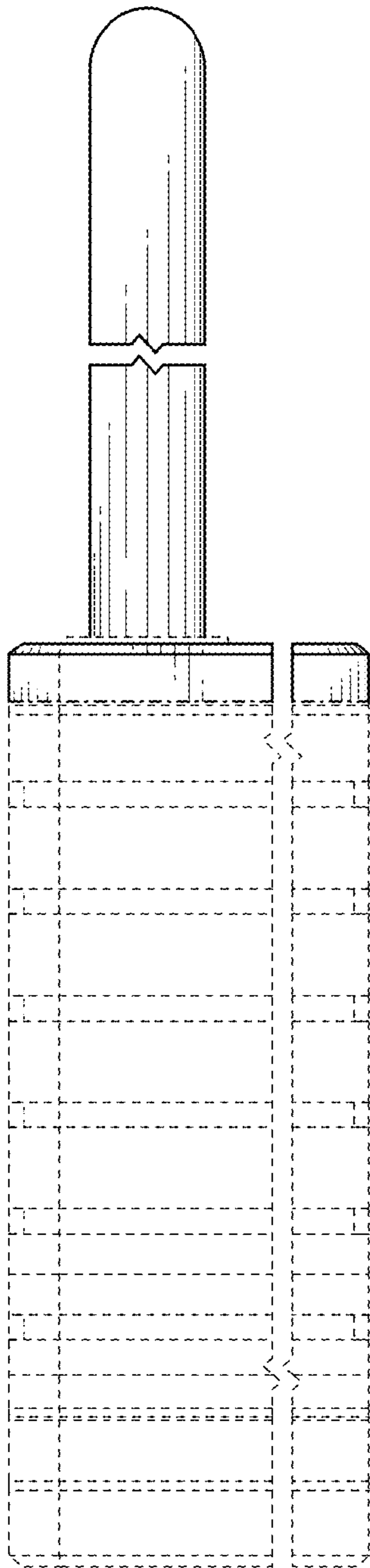


FIG. 4

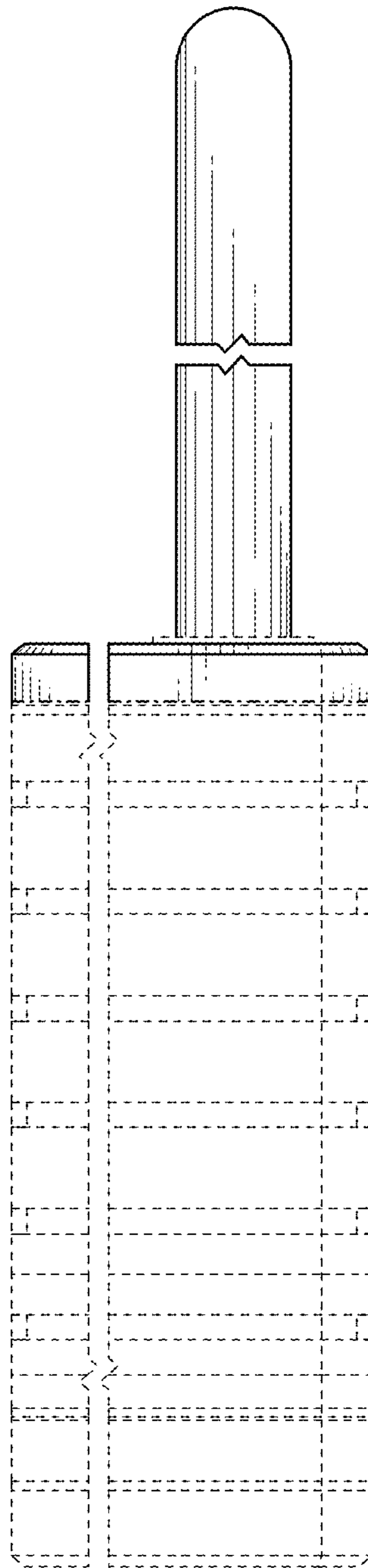


FIG. 5

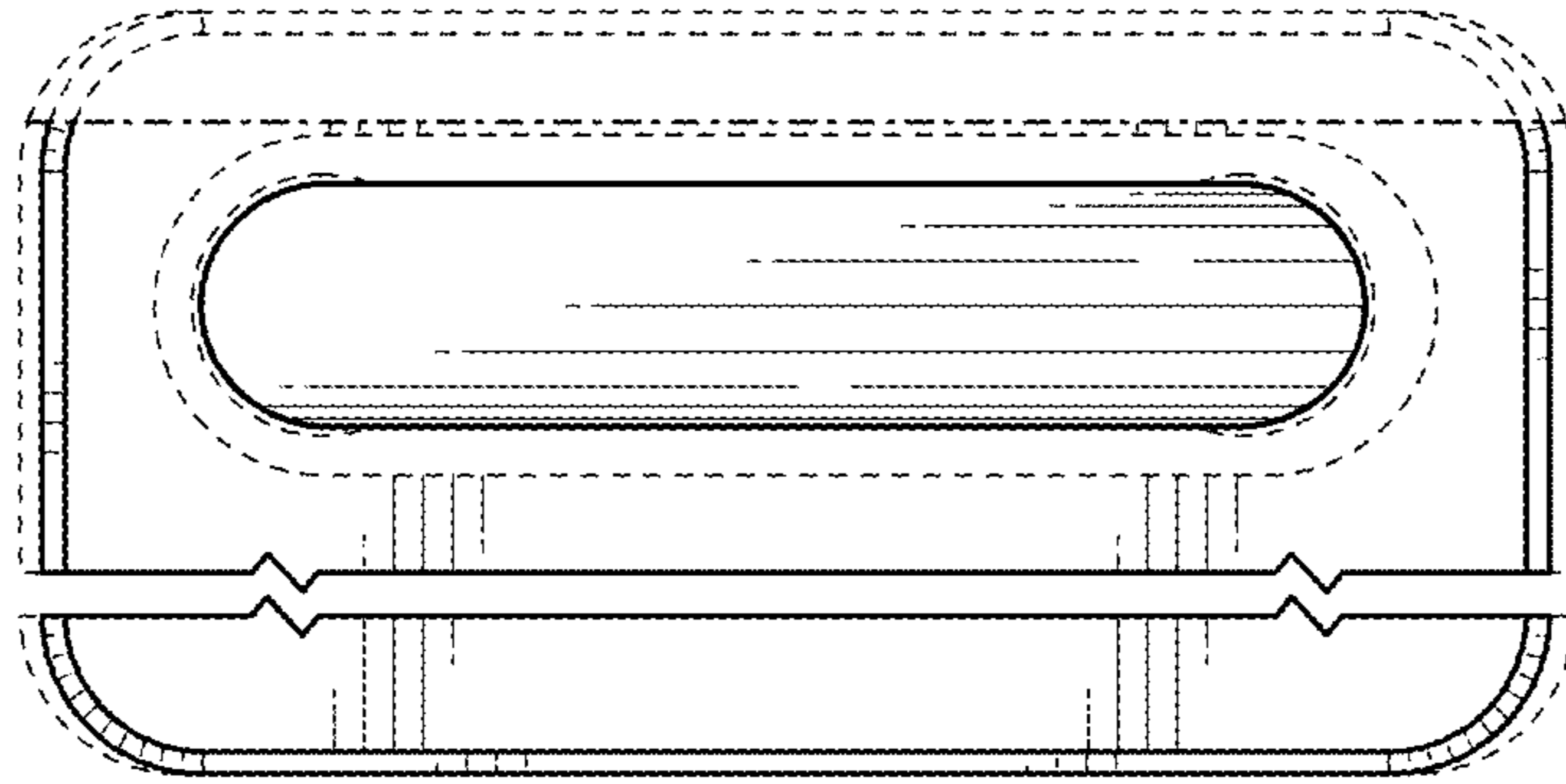


FIG. 6

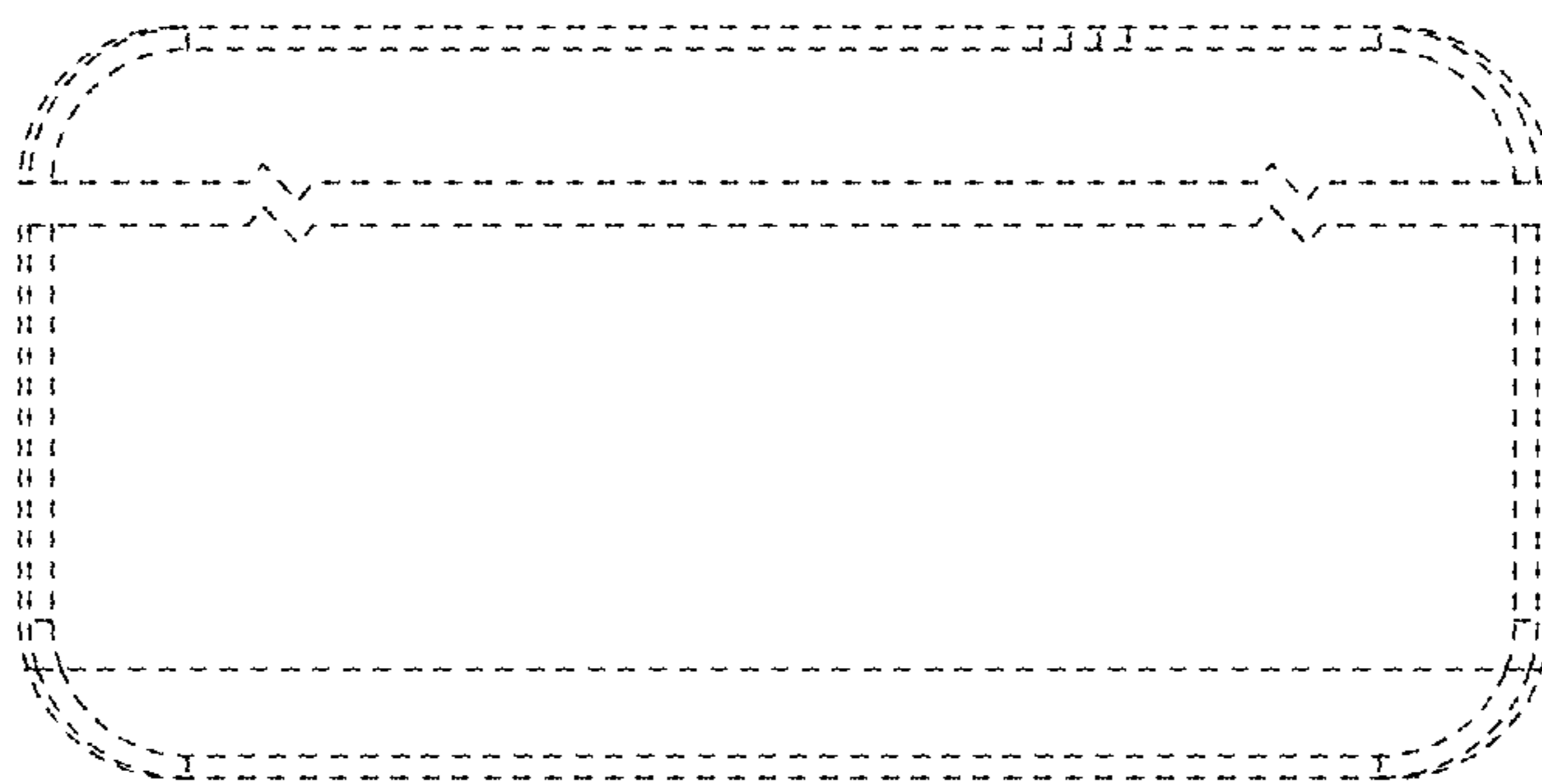


FIG. 7