



US00D746659S

(12) **United States Design Patent**  
**Stevens et al.**

(10) **Patent No.:** **US D746,659 S**  
(45) **Date of Patent:** **\*\* Jan. 5, 2016**

- (54) **PADLOCK**
- (71) Applicant: **Master Lock Company**, Oak Creek, WI (US)
- (72) Inventors: **Scott Stevens**, Oak Creek, WI (US);  
**Scott Kalous**, Kenosha, WI (US)
- (73) Assignee: **Master Lock Company LLC**, Oak Creek, WI (US)
- (\*\*) Term: **14 Years**
- (21) Appl. No.: **29/497,367**
- (22) Filed: **Jul. 23, 2014**
- (51) **LOC (10) Cl.** ..... **08-07**
- (52) **U.S. Cl.**  
USPC ..... **D8/334**
- (58) **Field of Classification Search**  
USPC ..... D8/330-347; 70/14, 20-28, 31, 32, 39,  
70/41, 52-56, 86, 314, 423, DIG. 43,  
70/DIG. 56, 38 A, DIG. 3, DIG. 4  
CPC ..... E05B 67/08; E05B 67/00; E05B 67/02;  
E05B 2067/00; E05B 9/00; E05B 63/00  
See application file for complete search history.

- D679,168 S 4/2013 Stevens et al.
- D683,611 S \* 6/2013 Walter ..... D8/334
- D688,114 S 8/2013 Stevens
- D689,358 S 9/2013 Stevens
- D691,458 S 10/2013 Stevens
- D691,870 S 10/2013 Stevens
- D695,589 S 12/2013 Stevens et al.
- D698,225 S 1/2014 Stevens et al.
- D701,105 S 3/2014 Stevens
- D701,106 S 3/2014 Plato
- D701,745 S 4/2014 Stevens
- D701,746 S 4/2014 Stevens et al.
- D702,102 S 4/2014 Stevens
- D703,024 S 4/2014 Paulson et al.
- D703,514 S 4/2014 Stevens et al.
- D704,032 S 5/2014 Plato
- D704,531 S 5/2014 Stevens
- D704,532 S 5/2014 Stevens et al.

(Continued)

*Primary Examiner* — Prabhakar Deshmukh  
(74) *Attorney, Agent, or Firm* — Foley & Lardner LLP

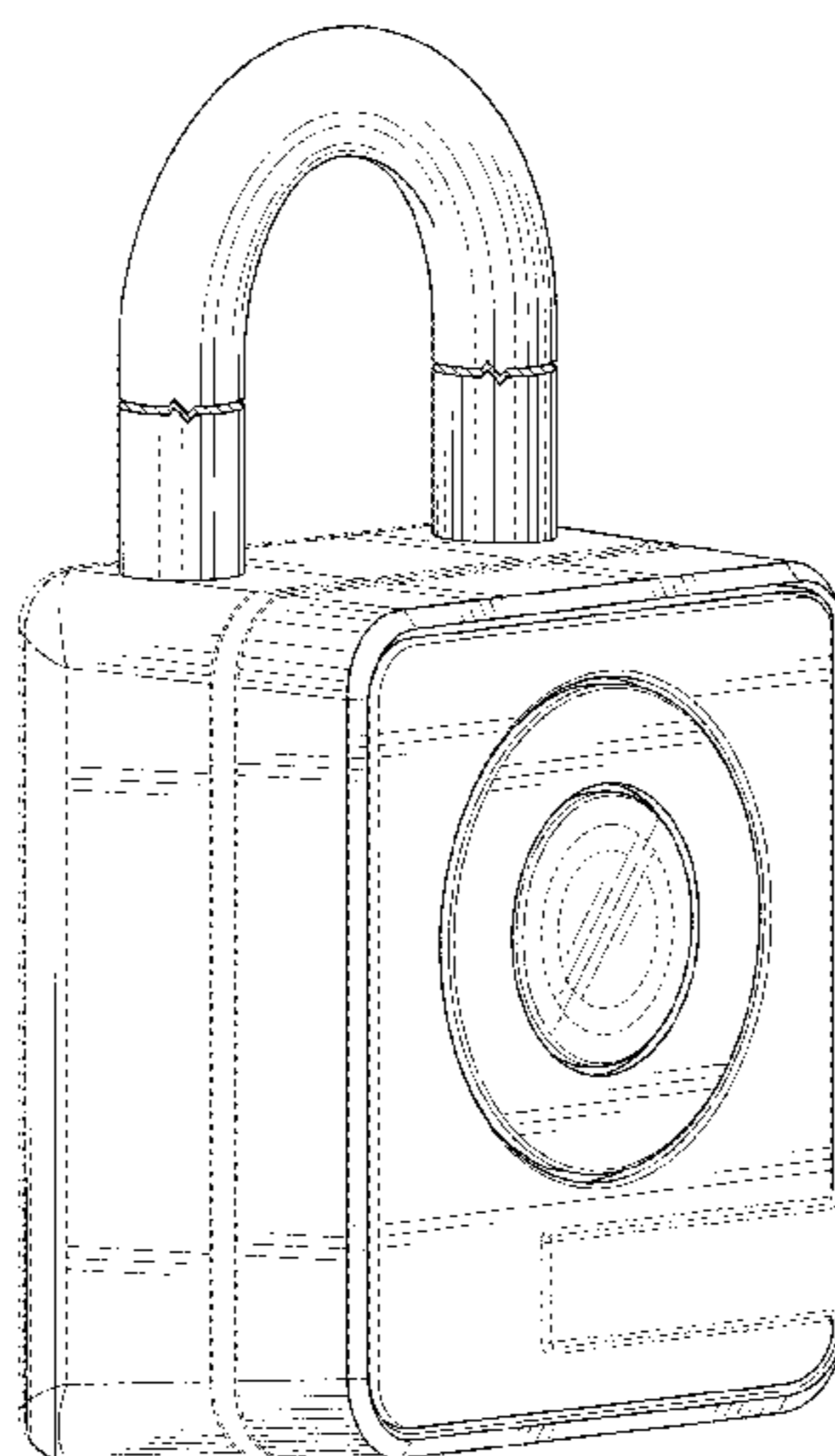
(57) **CLAIM**  
We claim the ornamental design for a padlock, as shown and described.

**DESCRIPTION**

FIG. 1 is a top, front, left perspective view of a padlock showing our new design;  
FIG. 2 is a front elevational view thereof;  
FIG. 3 is a rear elevational view thereof;  
FIG. 4 is a left side elevational view thereof;  
FIG. 5 is a right side elevational view thereof;  
FIG. 6 is a top plan view thereof; and,  
FIG. 7 is a bottom plan view thereof.  
The broken lines indicate unclaimed portions and form no part of the claimed design. The broken away portions of the shackle indicate undetermined length and the portions between the broken away portions of the shackle form no part of the claimed design.

**1 Claim, 5 Drawing Sheets**

- (56) **References Cited**  
U.S. PATENT DOCUMENTS
- 2,904,985 A \* 9/1959 Murphy ..... 70/51
- 3,626,729 A \* 12/1971 Fane et al. .... 70/18
- 5,761,935 A \* 6/1998 Adelmeyer ..... 70/55
- D516,896 S \* 3/2006 Kearns et al. .... D8/334
- 7,155,944 B1 \* 1/2007 Lin ..... 70/21
- D541,631 S 5/2007 Heppner
- D547,162 S 7/2007 Heppner
- D549,554 S 8/2007 Heppner
- D587,986 S \* 3/2009 Zorc et al. .... D8/343
- D605,928 S \* 12/2009 Stevens et al. .... D8/334
- D638,684 S 5/2011 Stevens
- D656,384 S 3/2012 Wojtak
- 8,353,184 B2 \* 1/2013 Ling et al. .... 70/21



(56)

**References Cited**

U.S. PATENT DOCUMENTS

D705,038 S 5/2014 Stevens  
D705,641 S 5/2014 Stevens et al.  
D707,101 S 6/2014 Stevens  
D720,204 S 12/2014 Ferragu

D720,600 S 1/2015 Paulson et al.  
D720,601 S 1/2015 Paulson et al.  
D720,602 S 1/2015 Paulson et al.  
D720,983 S 1/2015 Paulson et al.  
D721,261 S \* 1/2015 Yong et al. .... D8/334  
D722,485 S \* 2/2015 Yong et al. .... D8/334

\* cited by examiner

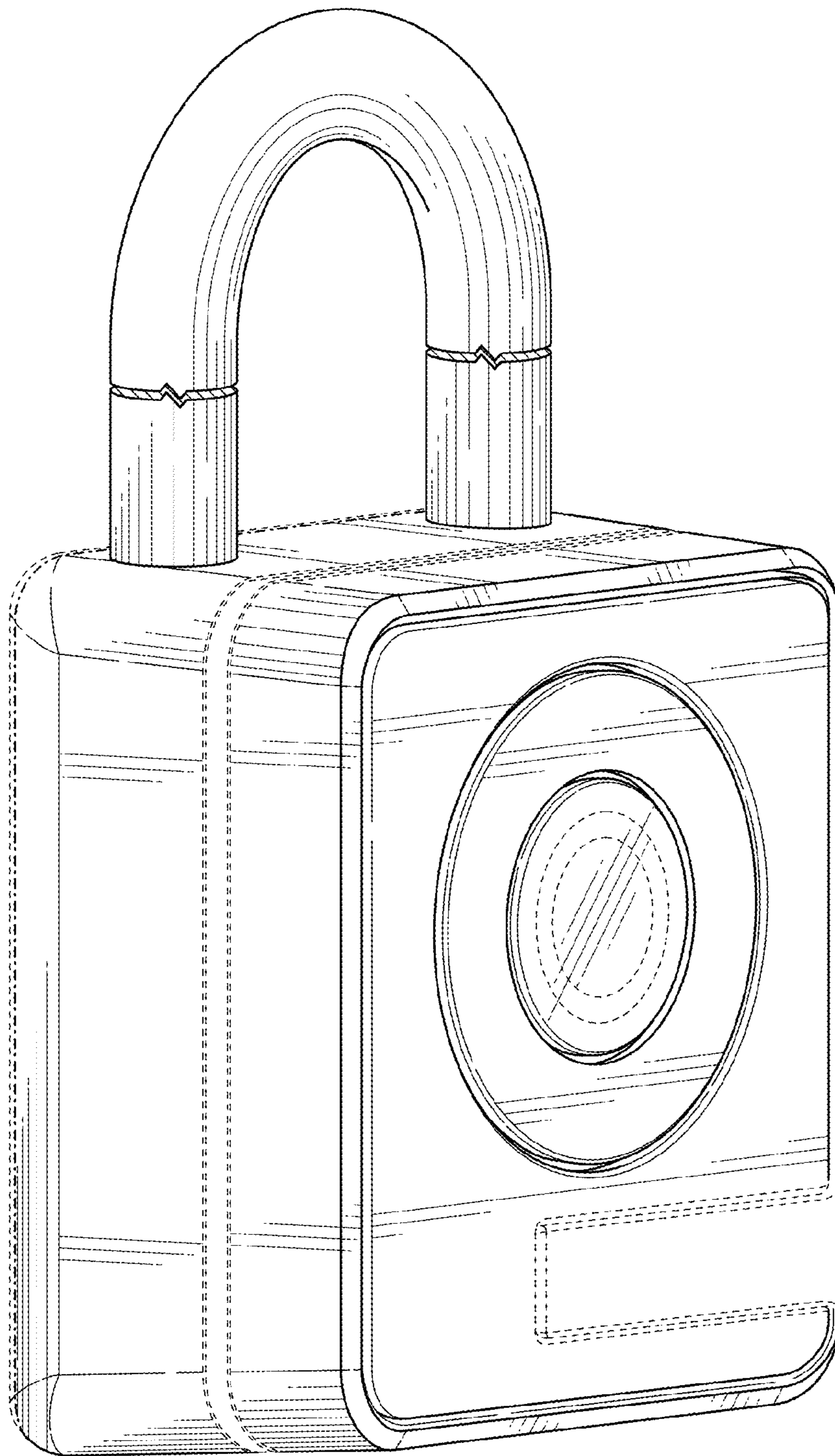


FIG. 1

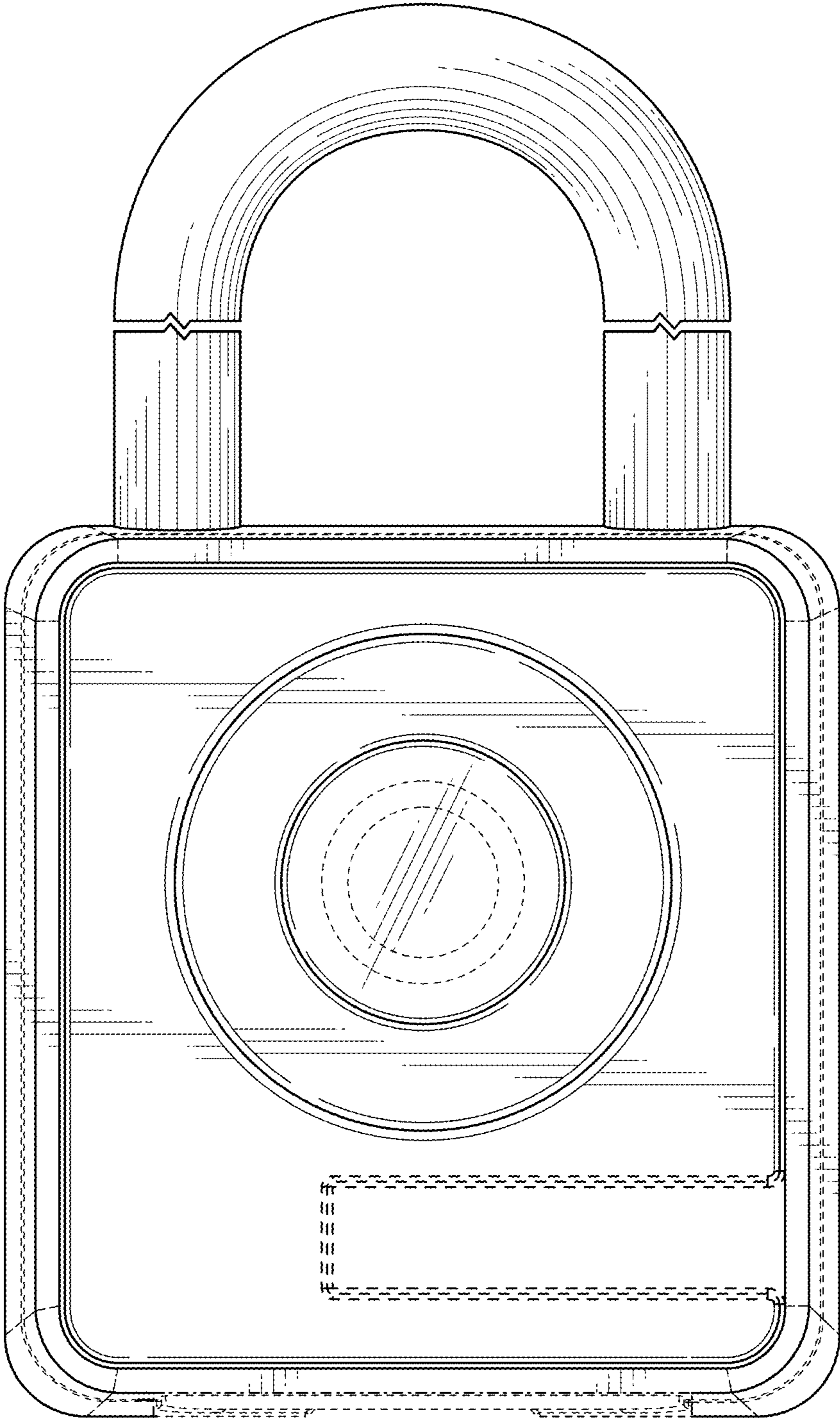


FIG. 2

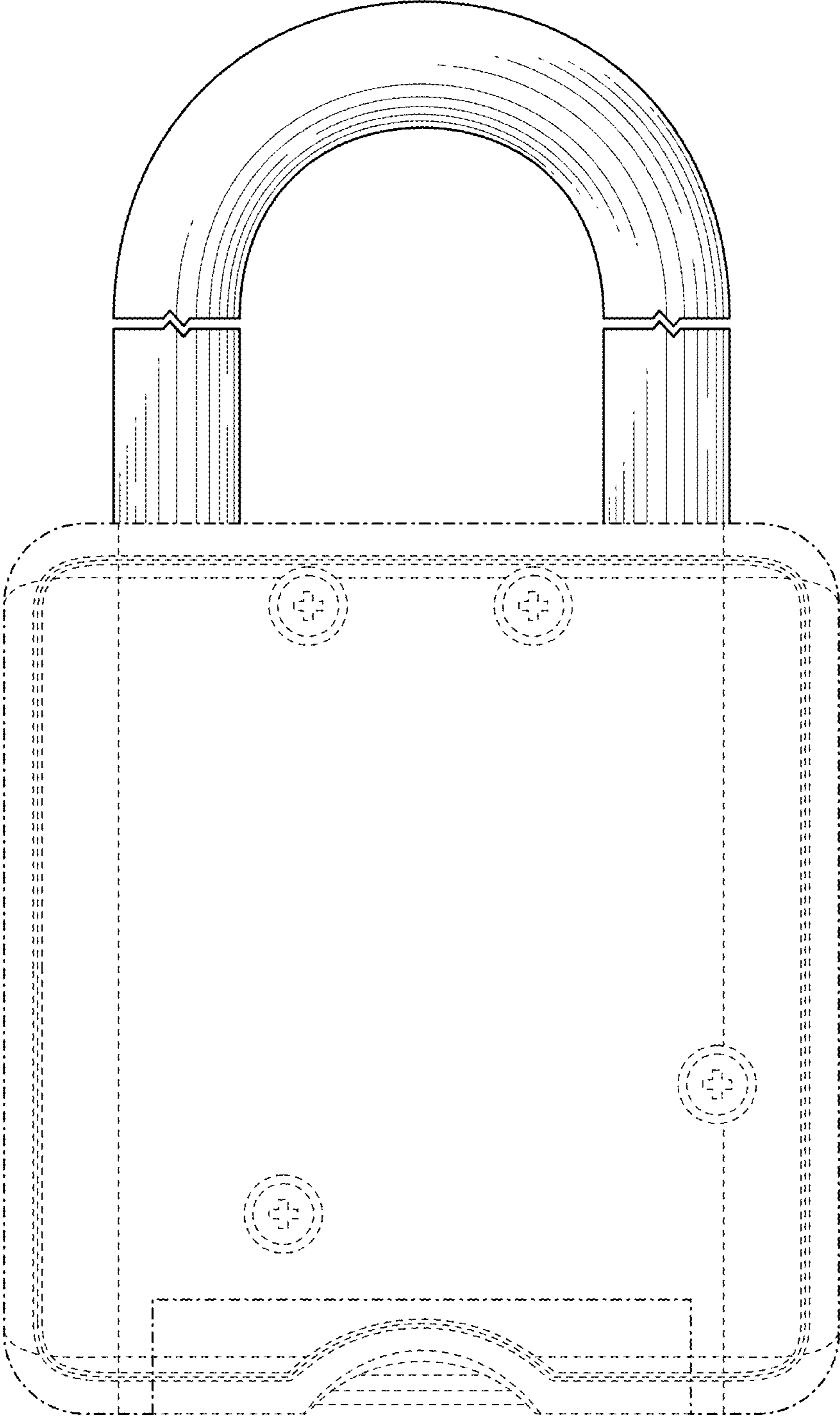


FIG. 3

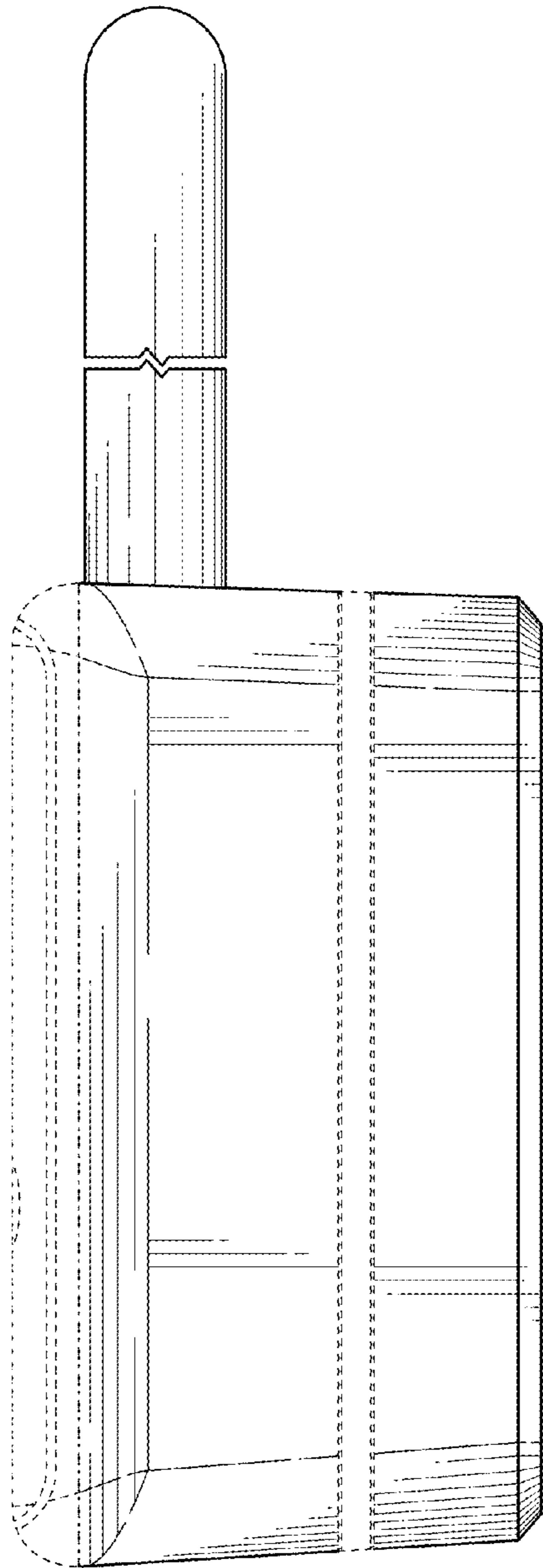


FIG. 4

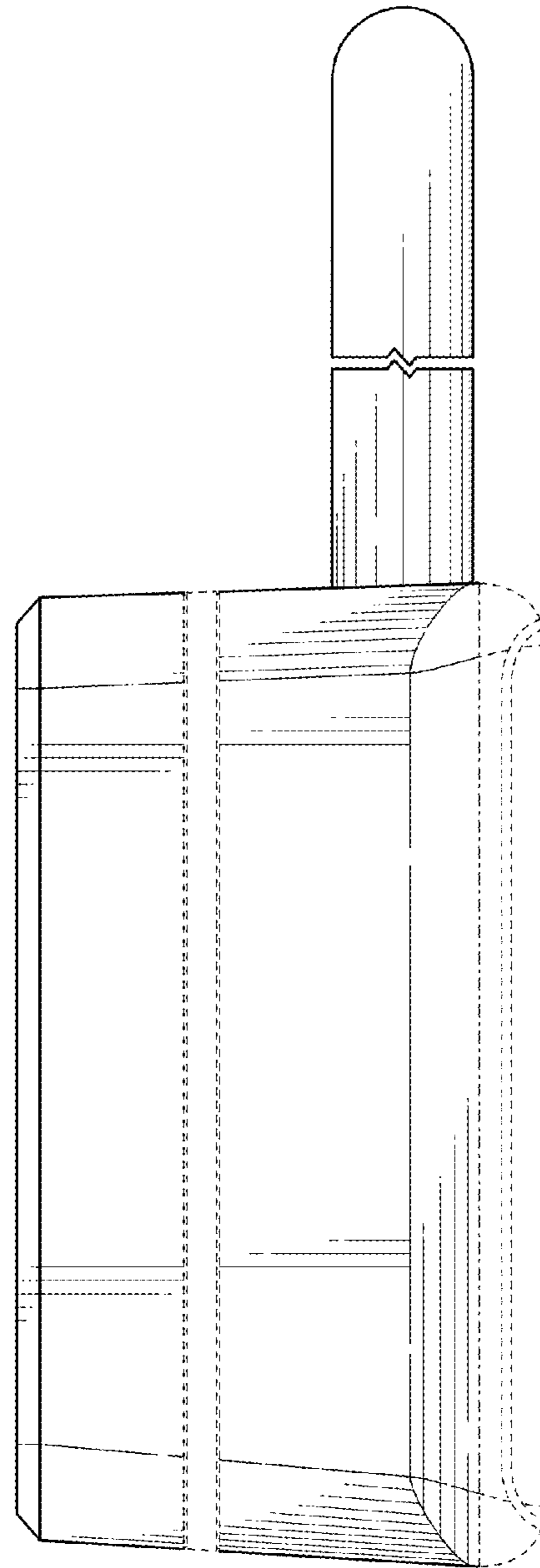


FIG. 5

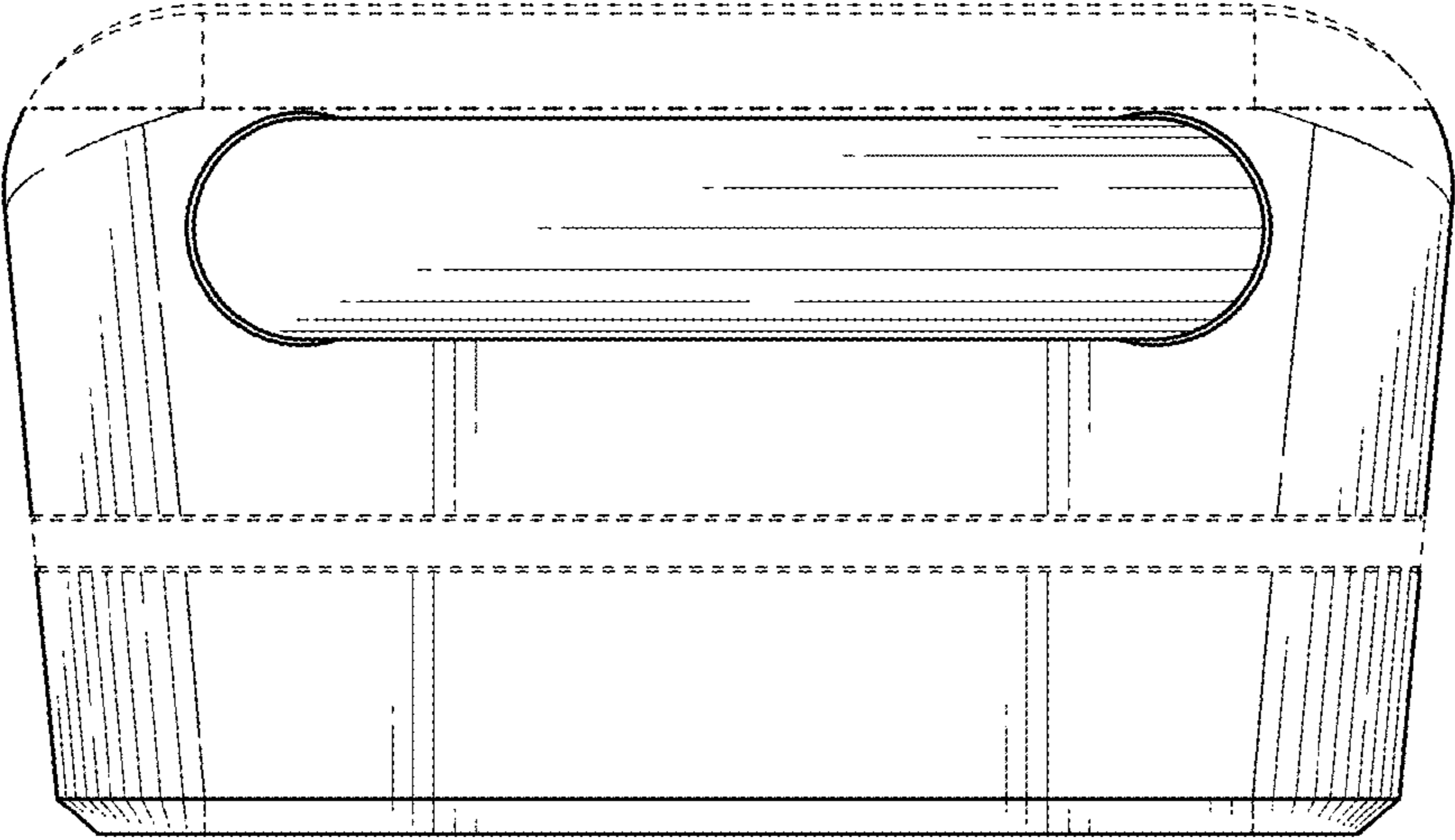


FIG. 6

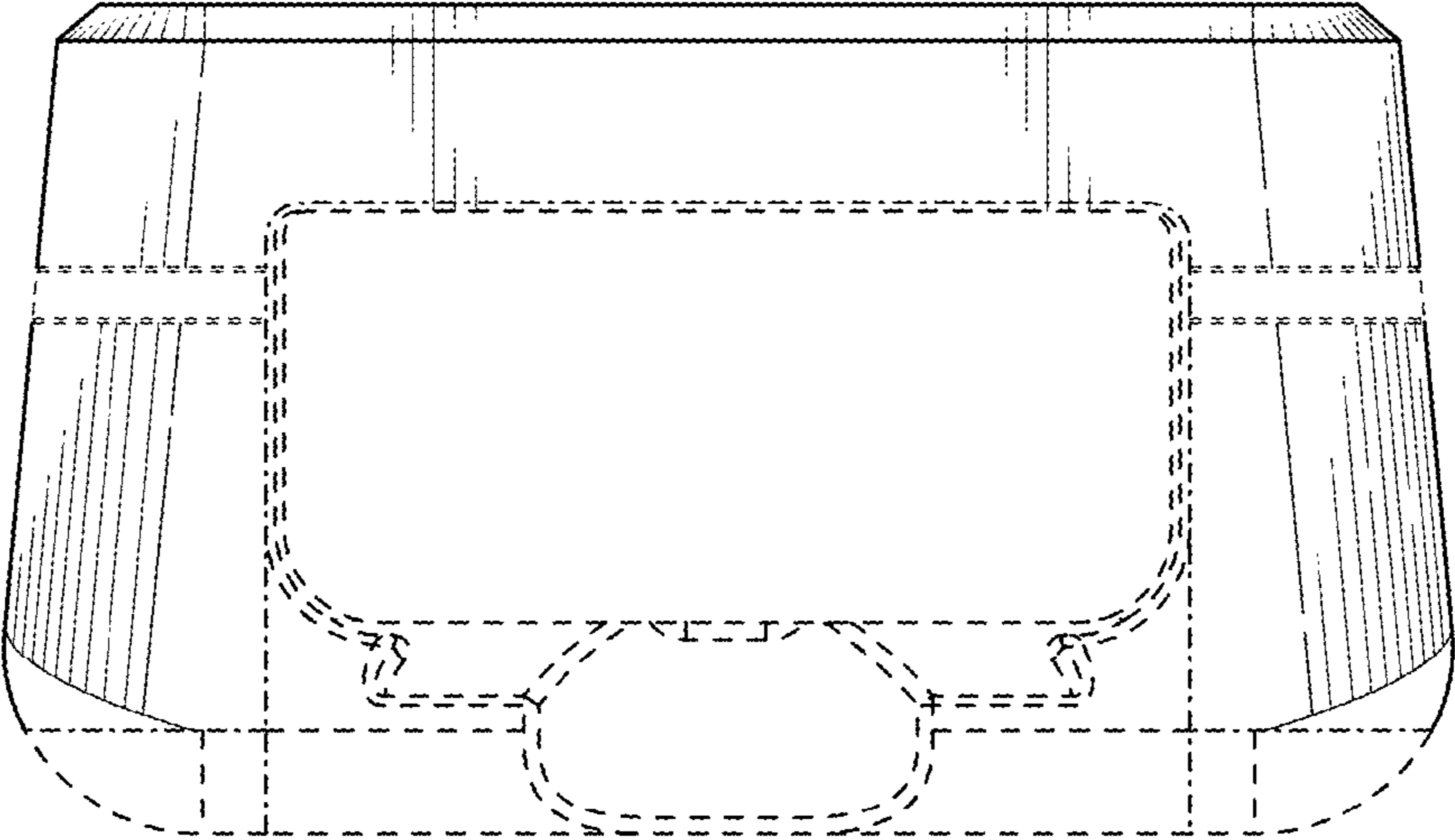


FIG. 7