



US00D746658S

(12) **United States Design Patent**
Mihailides

(10) **Patent No.:** **US D746,658 S**
(45) **Date of Patent:** **** Jan. 5, 2016**

- (54) **KNIFE**
- (71) Applicant: **Paul Mihailides**, Coventry, RI (US)
- (72) Inventor: **Paul Mihailides**, Coventry, RI (US)
- (**) Term: **14 Years**
- (21) Appl. No.: **29/493,010**
- (22) Filed: **Jun. 4, 2014**
- (51) **LOC (10) Cl.** **08-05**
- (52) **U.S. Cl.**
USPC **D8/105**
- (58) **Field of Classification Search**
USPC D3/210; D8/4, 5, 6, 7, 9, 26, 51, 52, 55,
D8/58, 98, 99, 105, 106, 107; 7/118, 127,
7/128, 129, 138; 30/153, 155, 158, 161,
30/162; 81/427.5, 440
See application file for complete search history.

(56) **References Cited**

U.S. PATENT DOCUMENTS

D603,682 S	*	11/2009	Brands	D8/105
D623,039 S	*	9/2010	Seeds et al.	D8/107
D626,810 S	*	11/2010	Steineckert et al.	D8/55
D627,202 S	*	11/2010	Steineckert et al.	D8/55
D630,080 S	*	1/2011	Seeds et al.	D8/105
D630,925 S	*	1/2011	Garcia et al.	D8/105
D653,929 S	*	2/2012	Rivera et al.	D8/105
D654,344 S	*	2/2012	Rivera et al.	D8/105
D660,126 S	*	5/2012	Cagampang et al.	D8/105
D716,128 S	*	10/2014	Stokes et al.	D8/105

OTHER PUBLICATIONS

<https://us.starline.com/catalog/product/17371> retrieved Aug. 18, 2015.*

<http://uberapparatus.com/power-tek-fire-talon-multi-tool/> retrieved Aug. 18, 2015.*
<http://www.printedshirts.ca/product/starline/omni-multi-tool> retrieved Aug. 18, 2015.*

* cited by examiner

Primary Examiner — Susan Bennett Hattan

Assistant Examiner — Leanne Was

(74) *Attorney, Agent, or Firm* — QuickPatents; Kevin Prince

(57) **CLAIM**

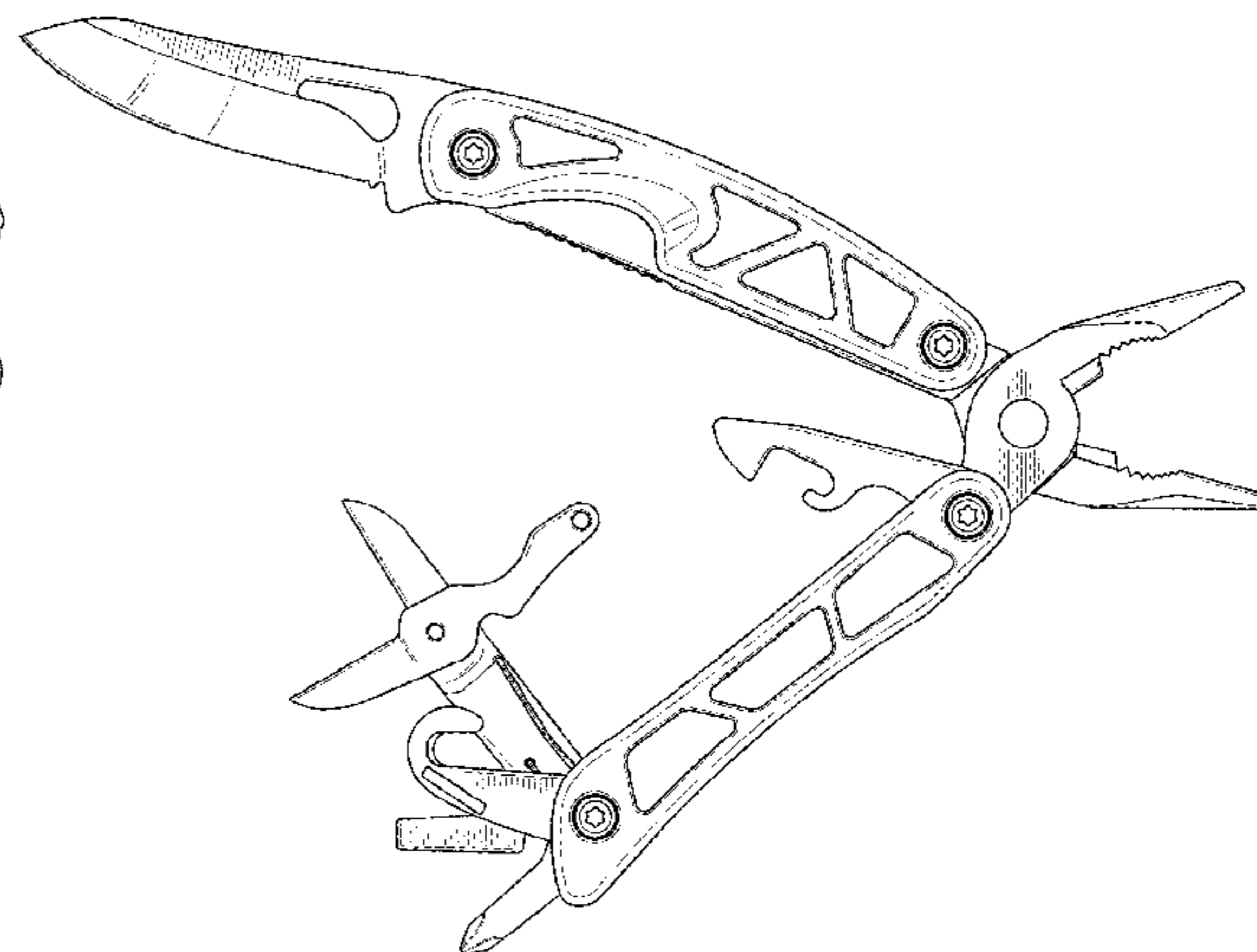
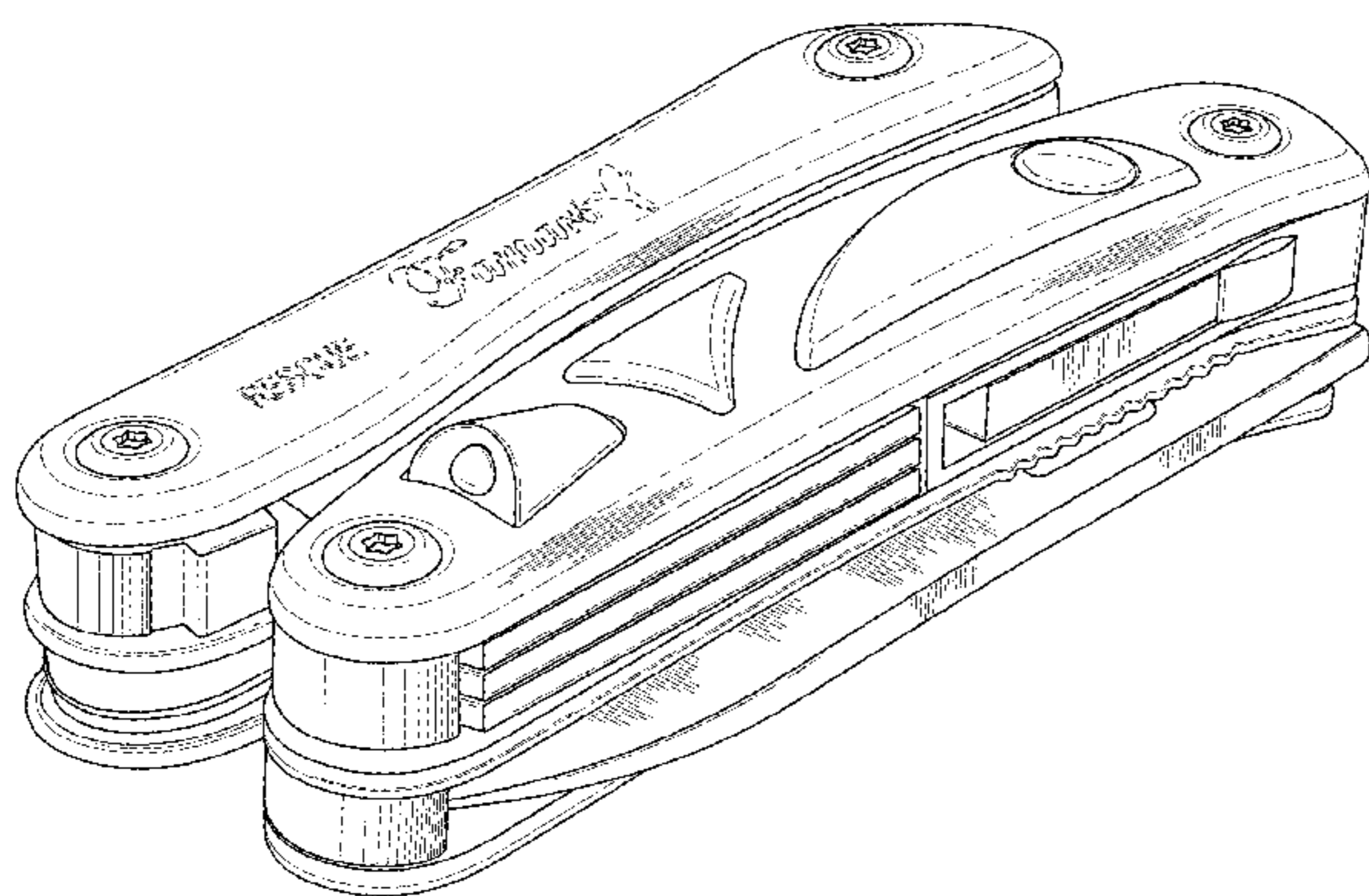
I claim the ornamental design for a knife, as shown and described.

DESCRIPTION

FIG. 1 is a perspective view of a knife, showing my new design in a closed position;
 FIG. 2 is a right-side elevational view of FIG. 1;
 FIG. 3 is a left-side elevational view of FIG. 1;
 FIG. 4 is a front elevational view of FIG. 1;
 FIG. 5 is a rear elevational view of FIG. 1;
 FIG. 6 is a top plan view of FIG. 1;
 FIG. 7 is a bottom plan view of FIG. 1;
 FIG. 8 is a perspective view thereof in a fully open position;
 FIG. 9 is a left-side elevational view of FIG. 8;
 FIG. 10 is a right-side elevational view of FIG. 8;
 FIG. 11 is a front elevational view of FIG. 8;
 FIG. 12 is a rear elevational view of FIG. 8;
 FIG. 13 is a top plan view of FIG. 8; and,
 FIG. 14 is a bottom plan view of FIG. 8.

The broken lines showing a logo and text in the figures depict environmental matter and form no part of the claimed design.

1 Claim, 6 Drawing Sheets



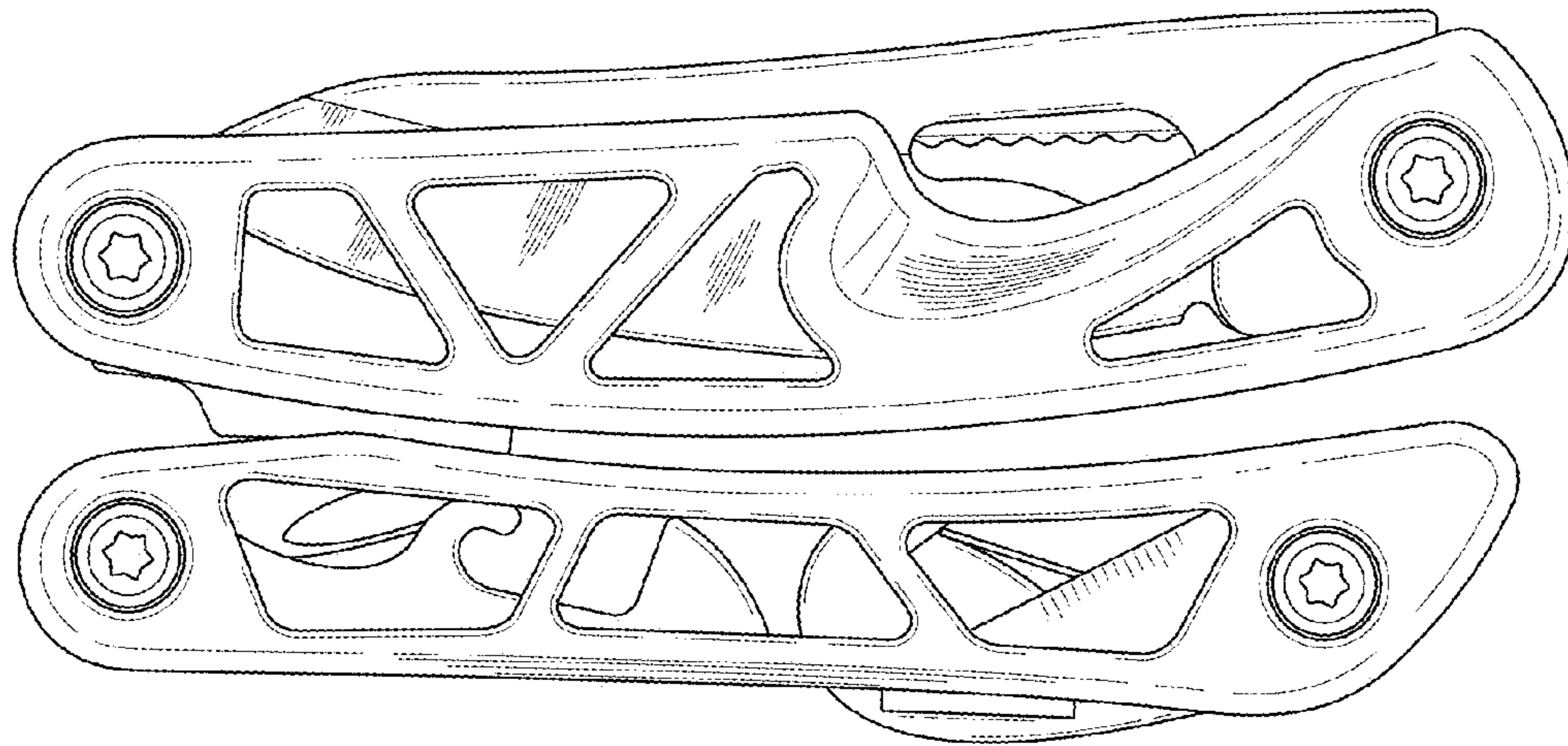


FIG. 2

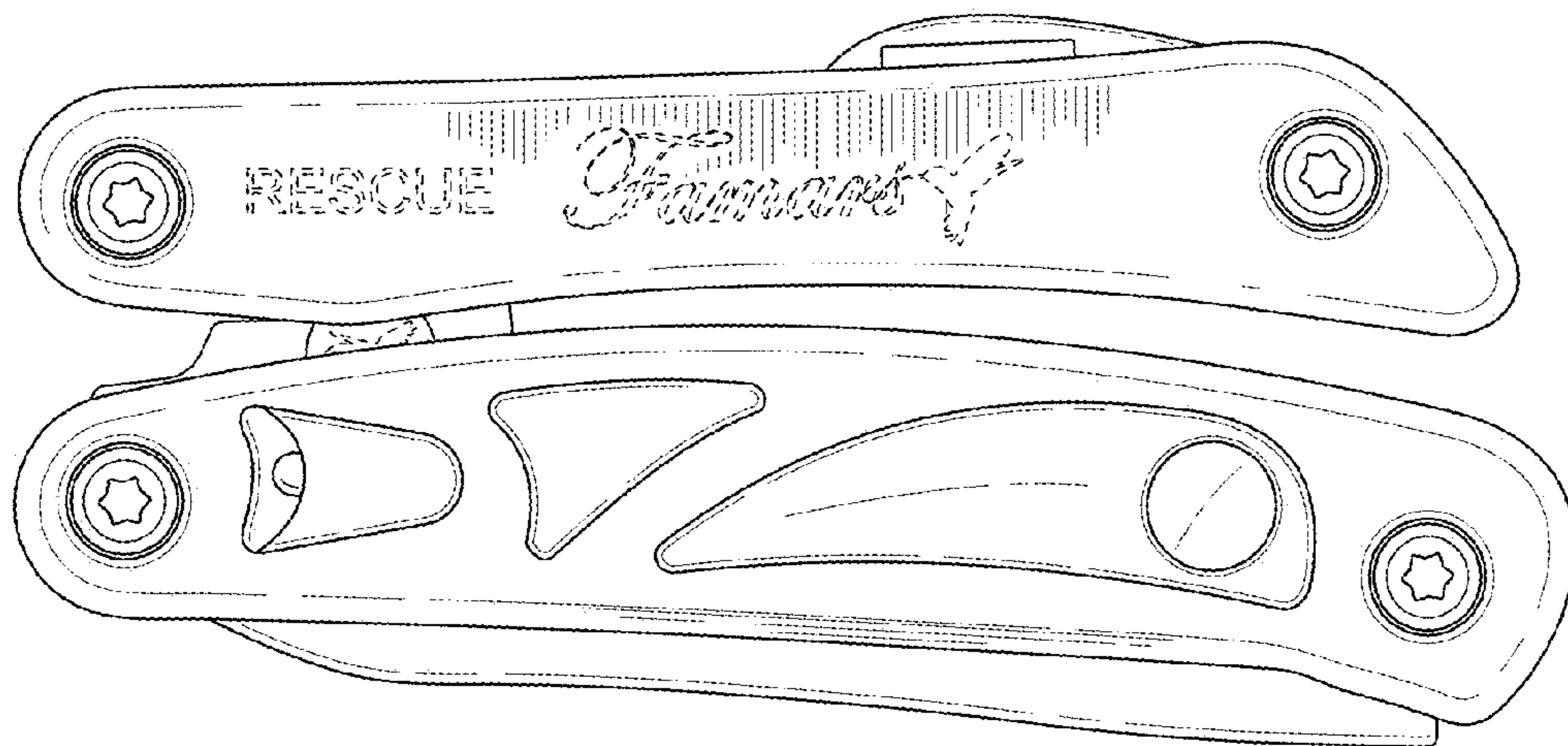


FIG. 3

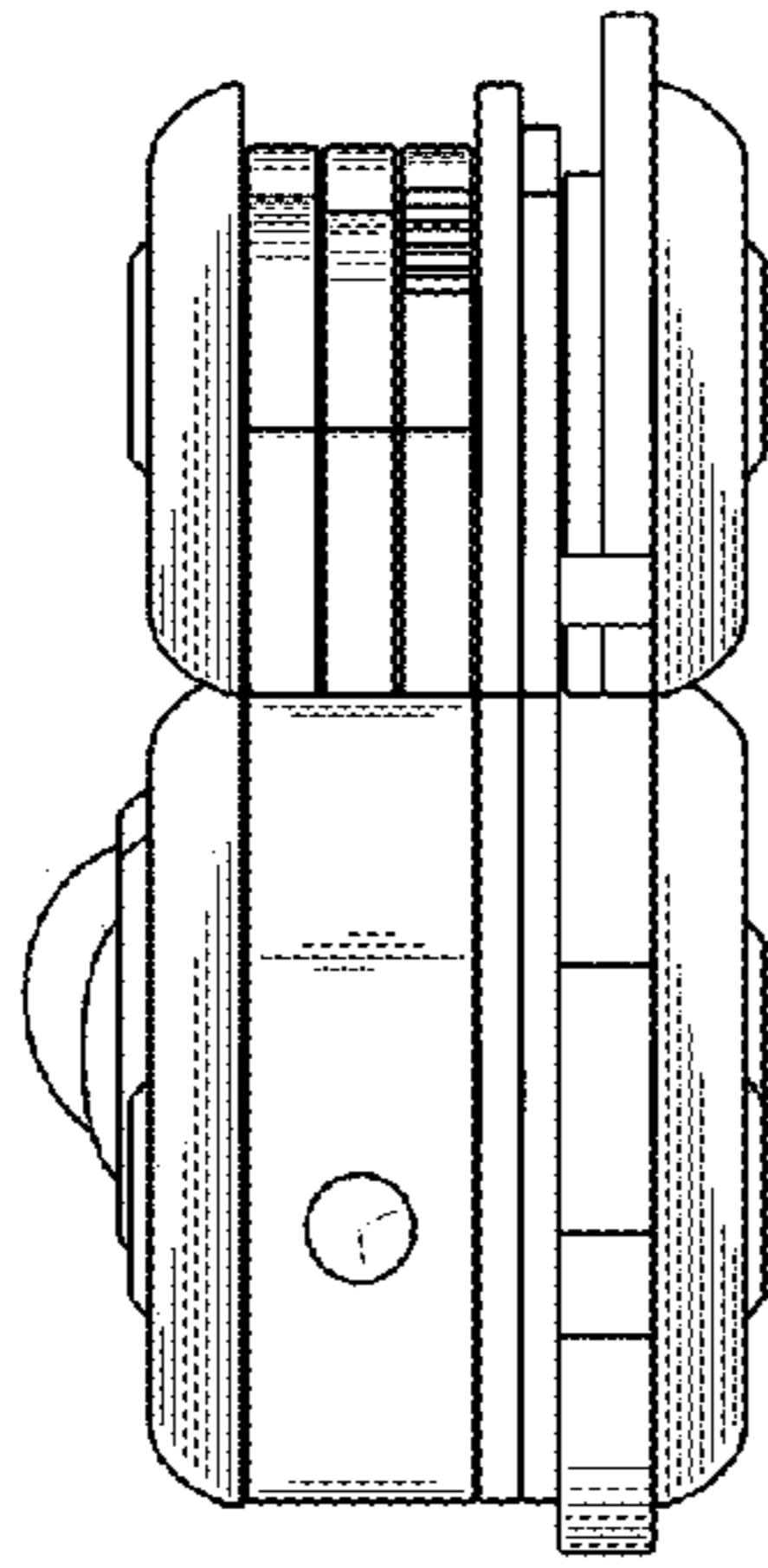


FIG. 4

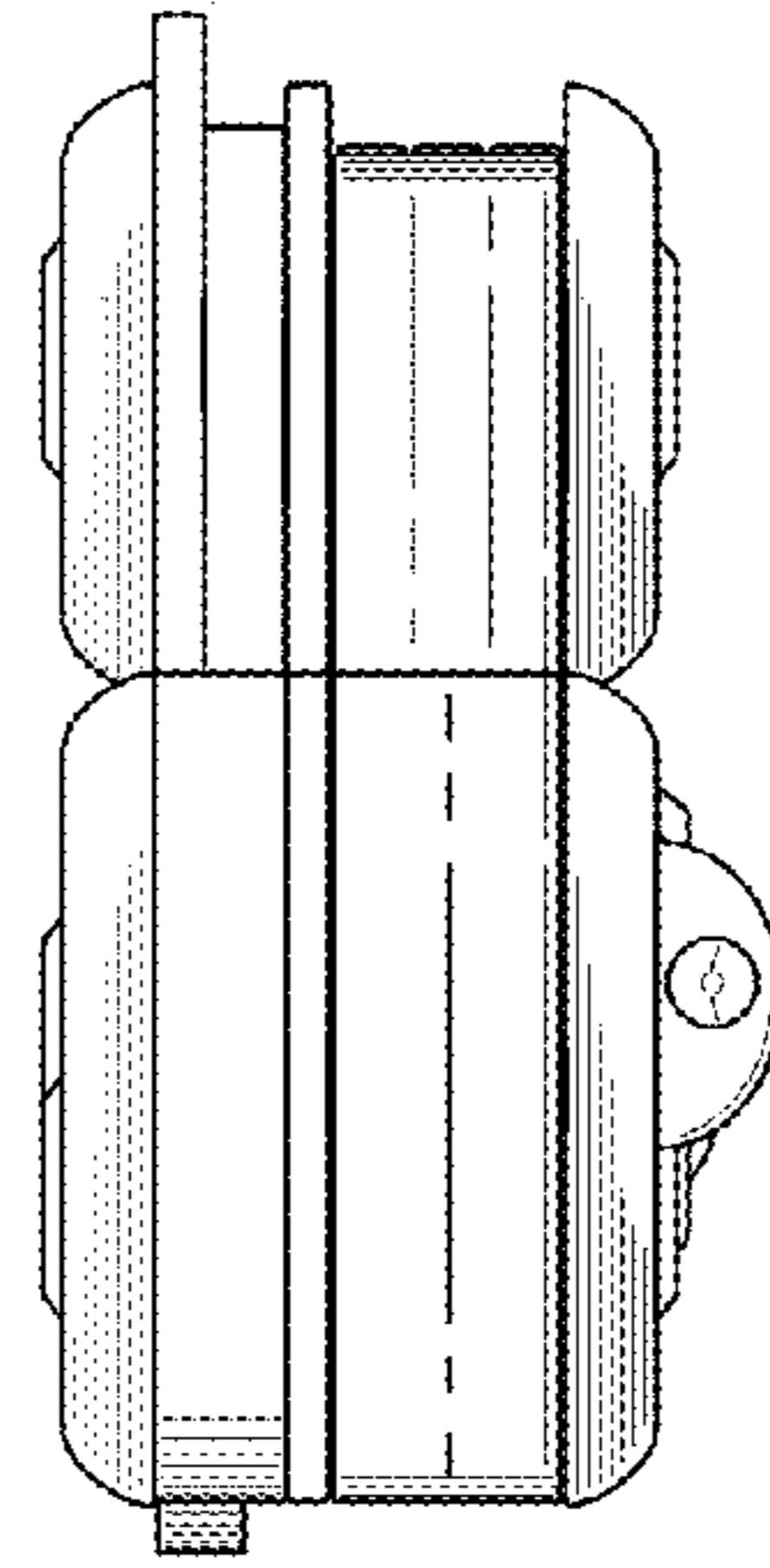


FIG. 5

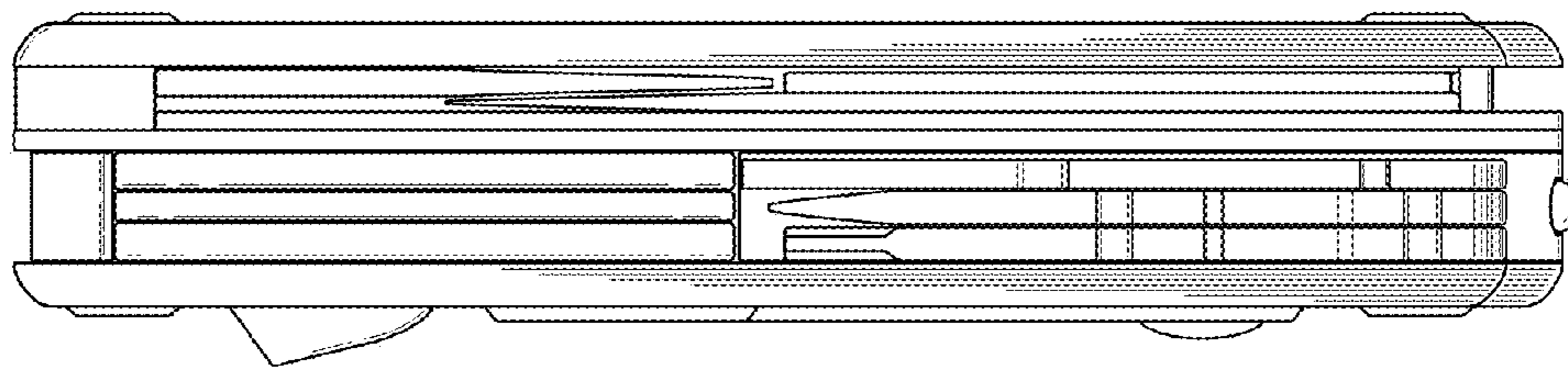


FIG. 6

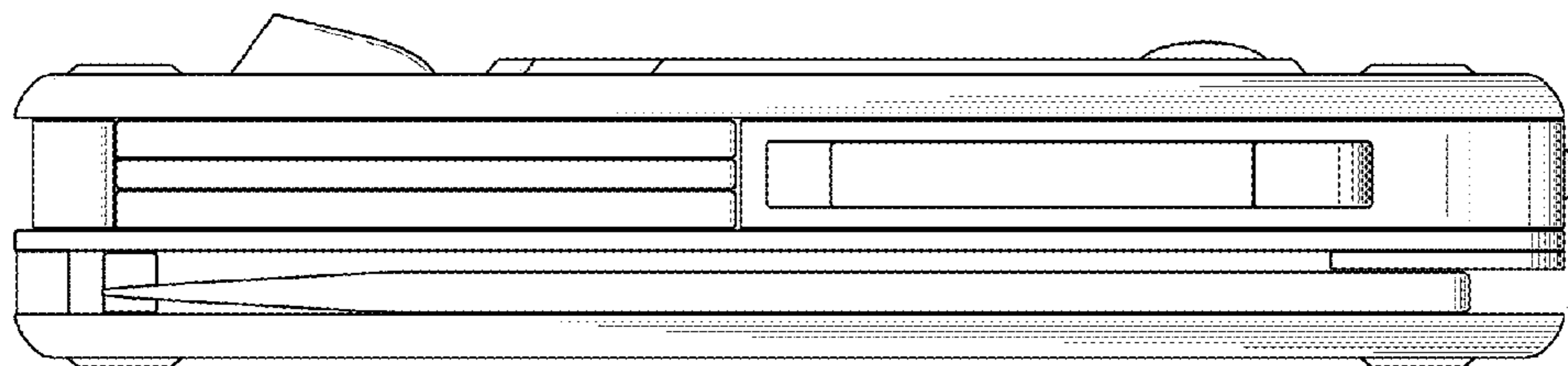


FIG. 7

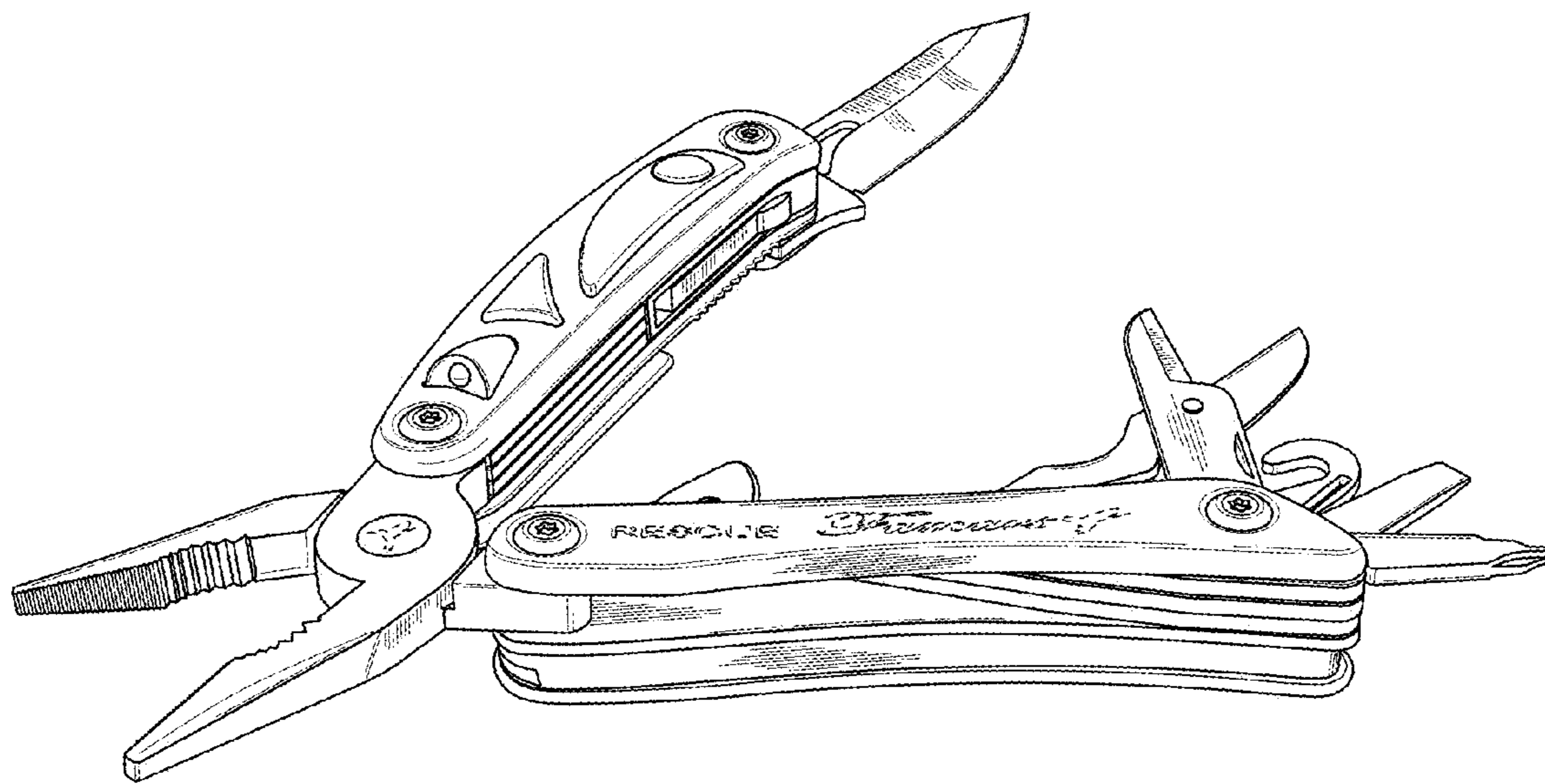


FIG. 8

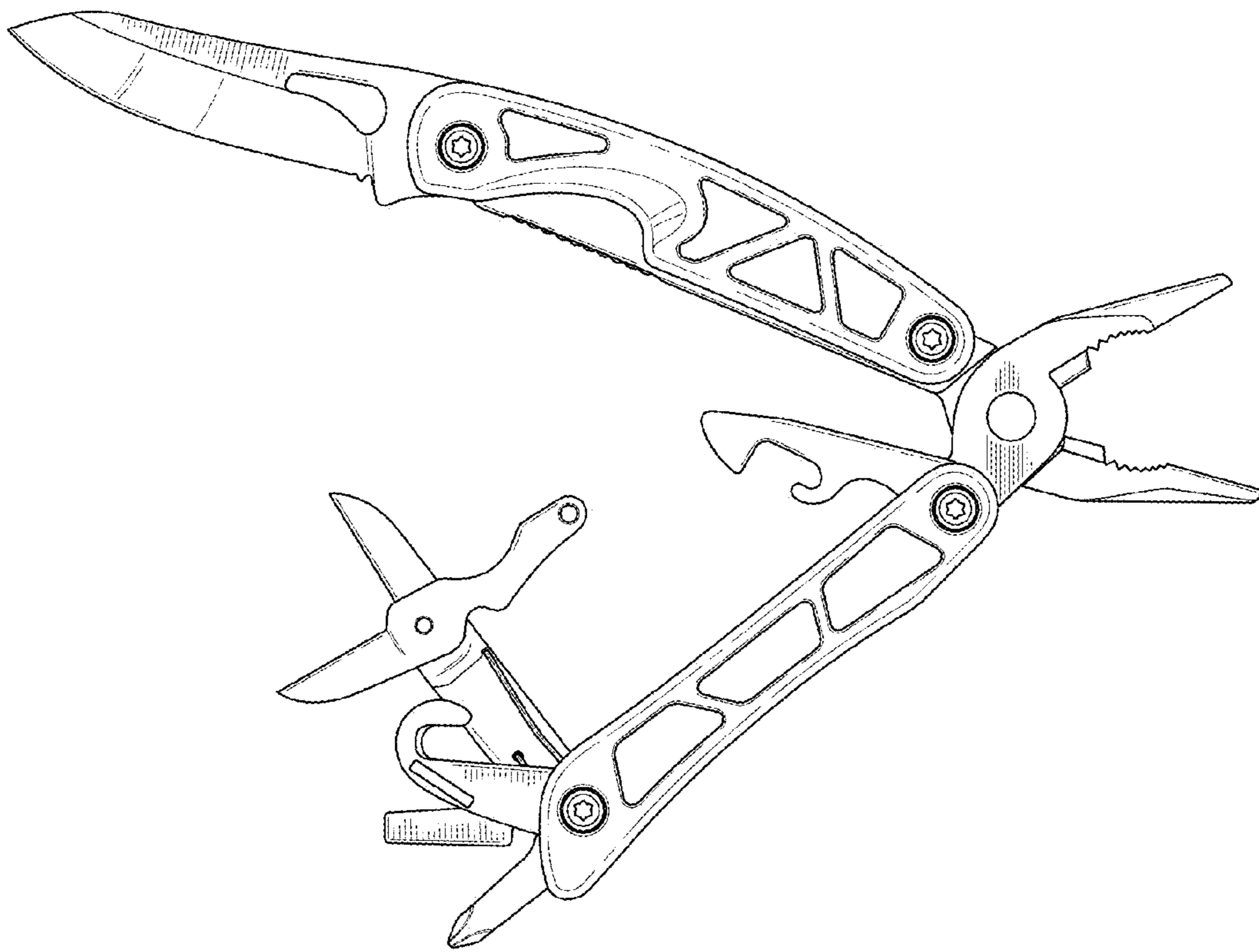


FIG. 9

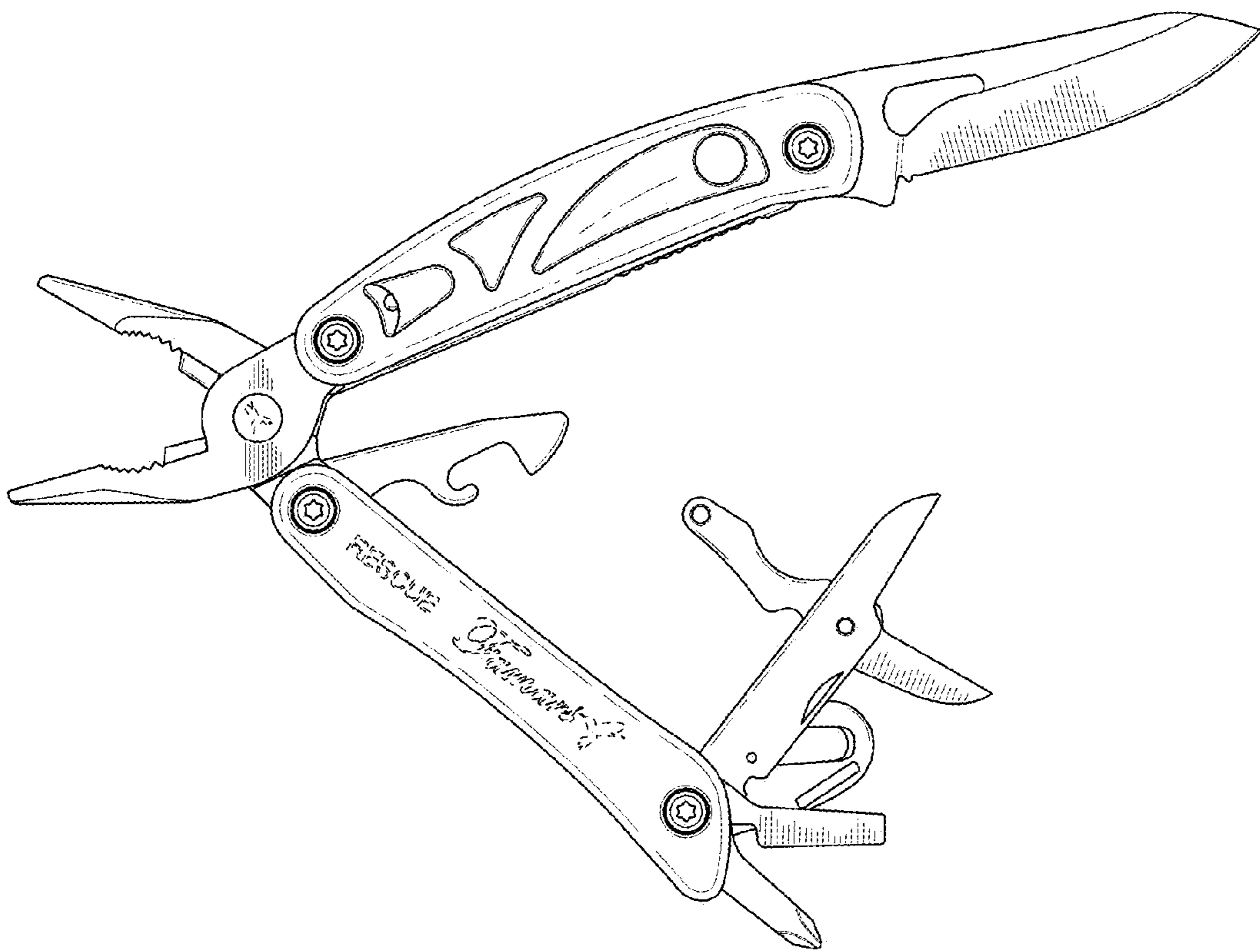


FIG. 10

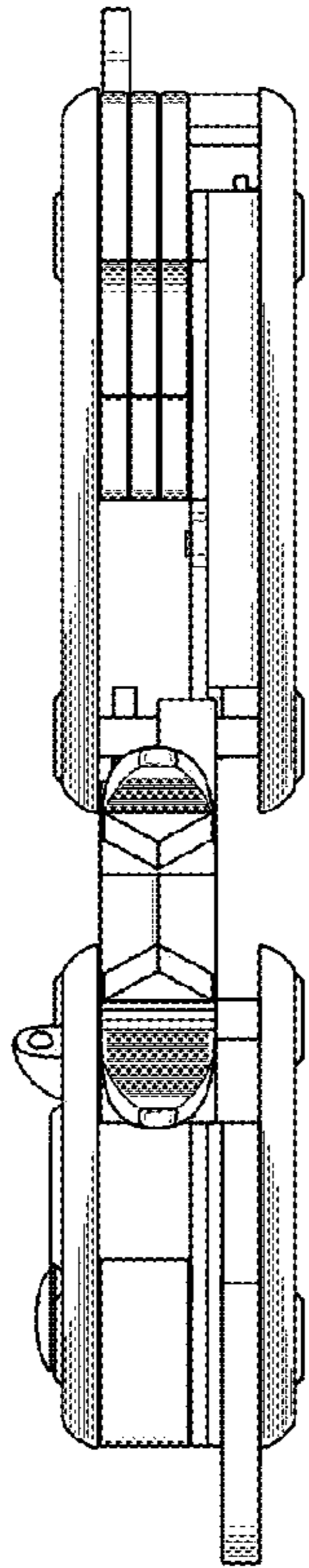


FIG. 11

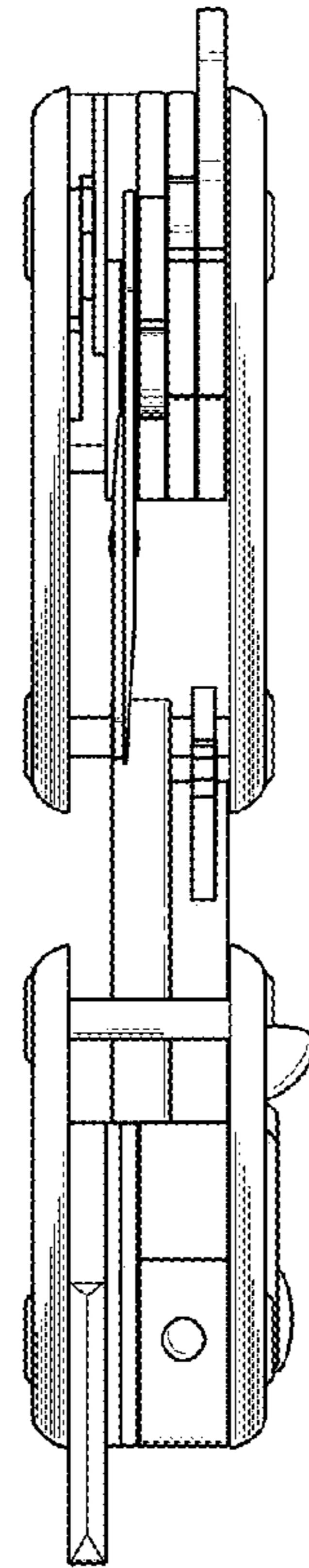


FIG. 12

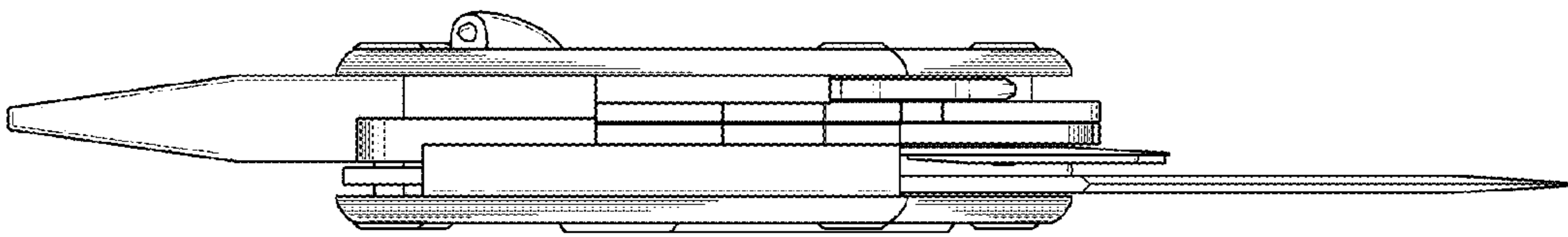


FIG. 13

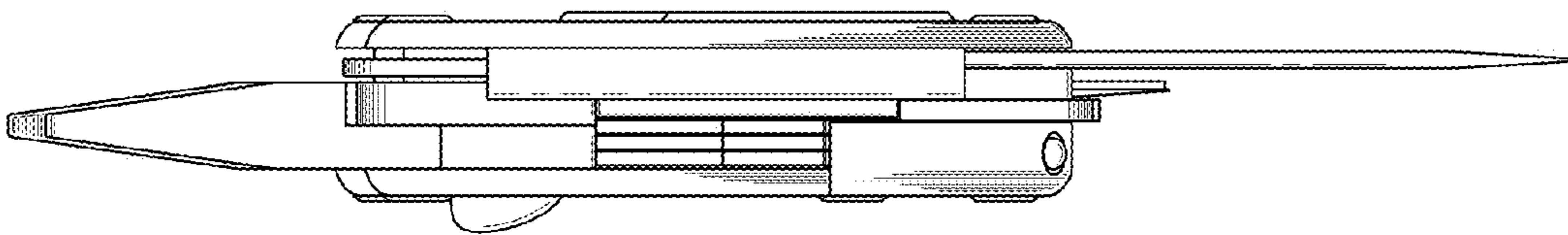


FIG. 14